



Spare parts catalogue  
XE 300 i.e. MY26

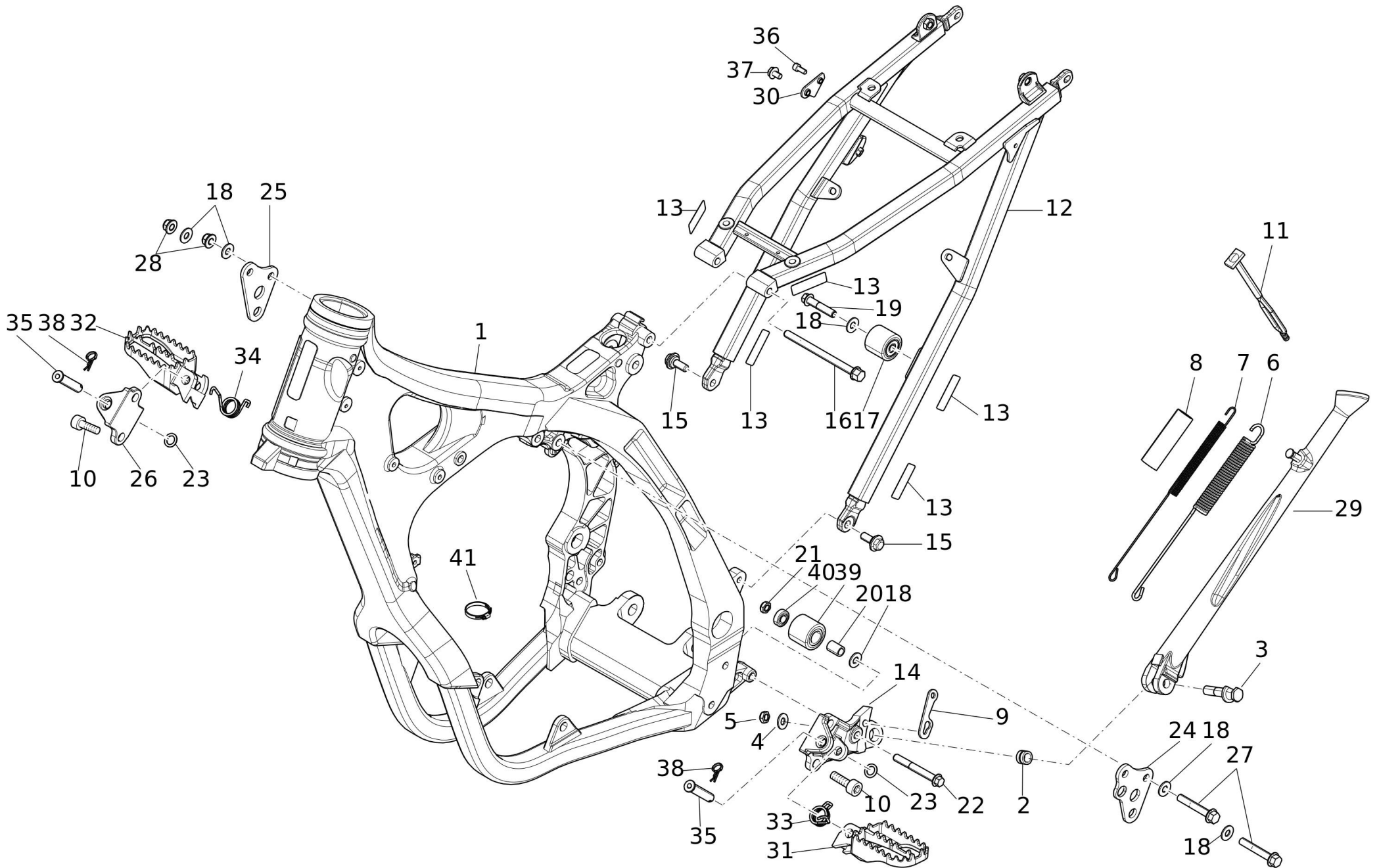
# Index

00 - Models .....	4
01 - Frame .....	5
02 - Swingarm .....	8
03 - Rear absorber .....	10
04 - Steering plates .....	12
05 - Fork .....	14
06 - Front Wheel .....	16
07 - Rear Wheel .....	18
08 - Front brake .....	21
09 - Rear brake .....	23
10 - Radiators .....	26
11 - Fuel tank .....	28
12 - Oil tank .....	30
13 - Intake .....	32
14 - Exhaust .....	35
15 - Handlebar/Controls .....	37
16 - Front Bodywork .....	39
17 - Rear bodywork .....	41
18 - Wiring .....	44
19 - Decals/User Manuals .....	47
20 - Cylinder .....	49
21 - Valves .....	51
22 - Piston/Crankshaft .....	53
23 - Water Pump .....	55
24 - Starting Motor .....	57
25 - Flywheel .....	59
26 - Clutch .....	61
27 - Transmission .....	63
28 - Crankcase covers .....	65
29 - Crankcase .....	67

<b>30 - Shift control</b> .....	<b>69</b>
<b>31 - Desmodromic</b> .....	<b>71</b>
<b>32 - Hydraulic clutch actuator</b> .....	<b>73</b>
<b>100 - Suggested Spare Parts 2-Stroke</b> .....	<b>75</b>
<b>101 - Suggested Spare Parts 2 Stroke</b> .....	<b>77</b>

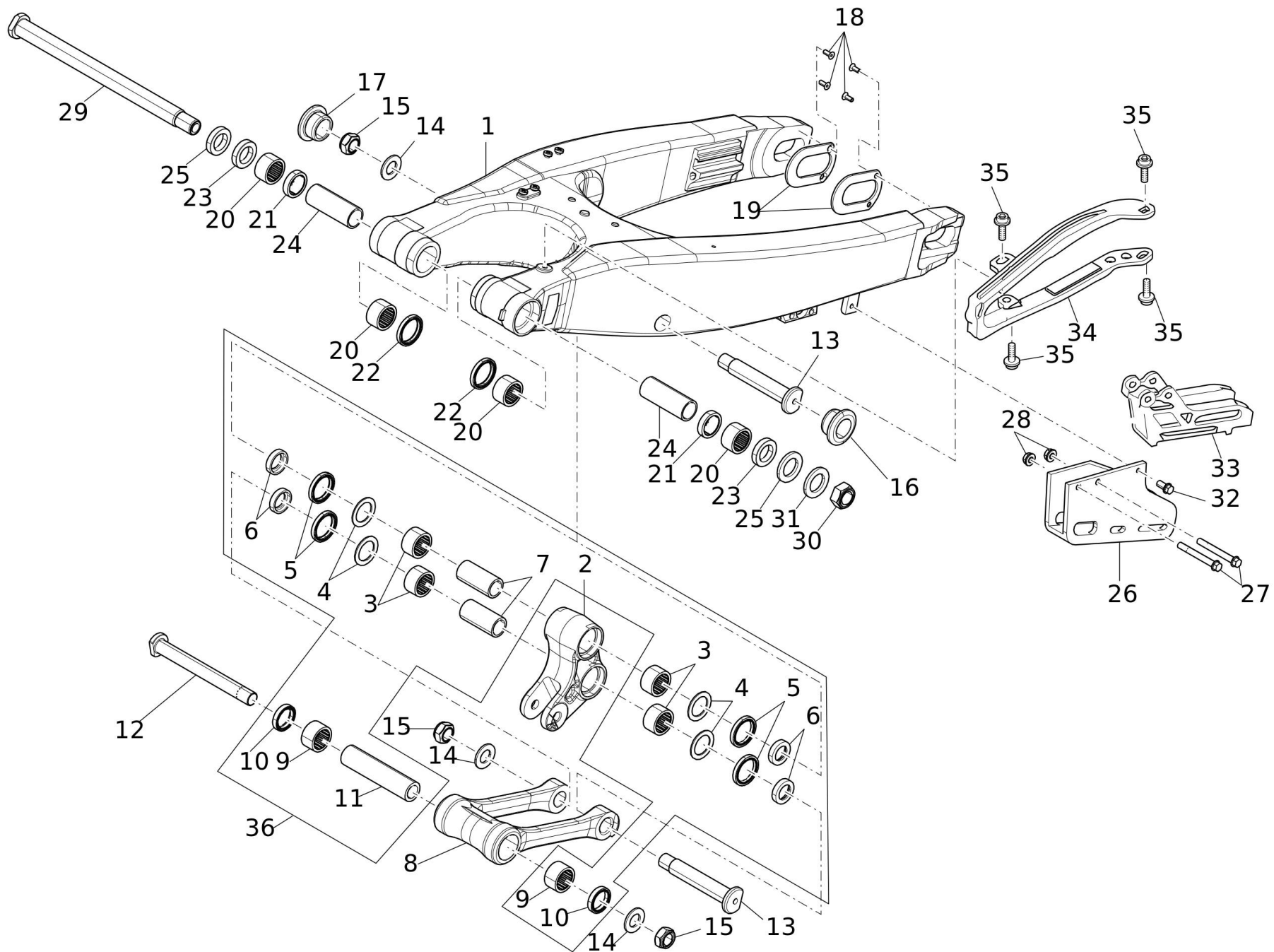


XE 300 MY26  
white

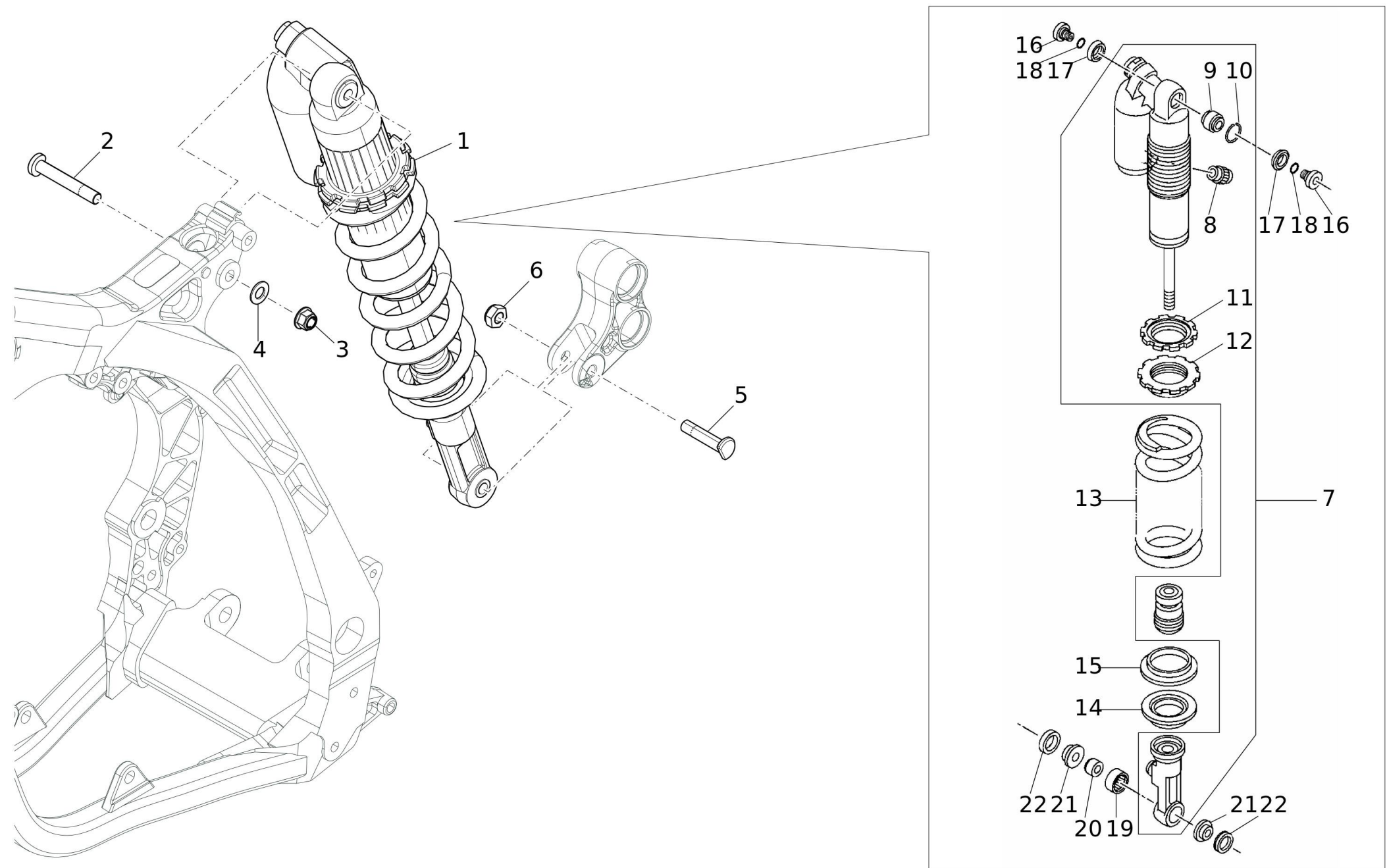


#	Code	Description	Specification	UM	Qty
1	08104005	FRONT FRAME ASSEMBLY		pz	1
2	V1139005	SIDE STAND BUSH		pz	1
3	07668005	SIDE STAND RETURN PIN XE	STD	pz	1
3	V1379005	SCREW STAND	ACCESSORY	pz	1
4	00341005	WASHER 10		pz	1
5	06353005	NUT SELF-LOCKING		pz	1
6	V0245005	SPRING OUTSIDE STAND		pz	1
7	07395005	SIDE STAND INNER SPRING XE		pz	1
8	V1171005	RUBBER STAND SPRING		pz	1
	08378005	TUBE		pz	1
9	07384005	SIDE STAND RETURN CAM	STD	pz	1
9	V0604005	PLATE ENGINE	ACCESSORY	pz	1
10	05997005	SCREW		pz	4
11	09507005	KICKSTAND BAND		pz	1
12	06000005	REAR FRAME COMP.		pz	1
13	V0057005	STICKER PROTECTION		pz	5
14	06028005	SUPPORTO PEDANA SX		pz	1
15	09422005	BOLT M8X18, COLLAR 19		pz	2
16	V1143005	SCREW M8X110 CH 12		pz	1
17	00026005	BLACK CHAIN TURNING WHEEL		pz	1
18	00060005	WASHER M8 UNI 6592		pz	6
19	V1153005	SCREW CH10 M8X40		pz	1
20	V1533005	BUSHING CHAIN ??ROLLER		pz	1
21	V1454005	NUT CH12 M8X1.25 SL		pz	1
22	V1152005	SCREW CH10 M8X65		pz	1
23	V1362005	DISC PIN FOOTPEG		pz	2
24	V1112005	ENGINE BRACKET LEFT		pz	1
25	V1113005	ENGINE BRACKET RIGHT		pz	1
26	05996005	SUPPORTO PEDANA DX		pz	1
27	V1482005	SCREW M8X50 T.F. 20CH12		pz	2
28	V1354005	NUT M8X1.25 FLANGE S/L CH12		pz	2
	V2842005	DADO ASS M8 H8 ZB C6 DIN-980-V		pz	2
29	06346005	STAND SIDE		pz	1
30	V1114005	PLATE MASS FRAME		pz	1
31	06338005	FOOTREST 1		pz	1
32	06339005	FOOTREST 2		pz	1
33	V0243005	SPRING FOOTREST LEFT		pz	1
34	V0244005	SPRING FOOTREST RIGHT		pz	1
35	V1149005	PIN FOOTPEG		pz	2
36	07433005	6x10 BOLT FLANGE		pz	1
37	04859005	SCREW		pz	1
38	00323005	SPLIT PIN FOOTBOARDS		pz	2

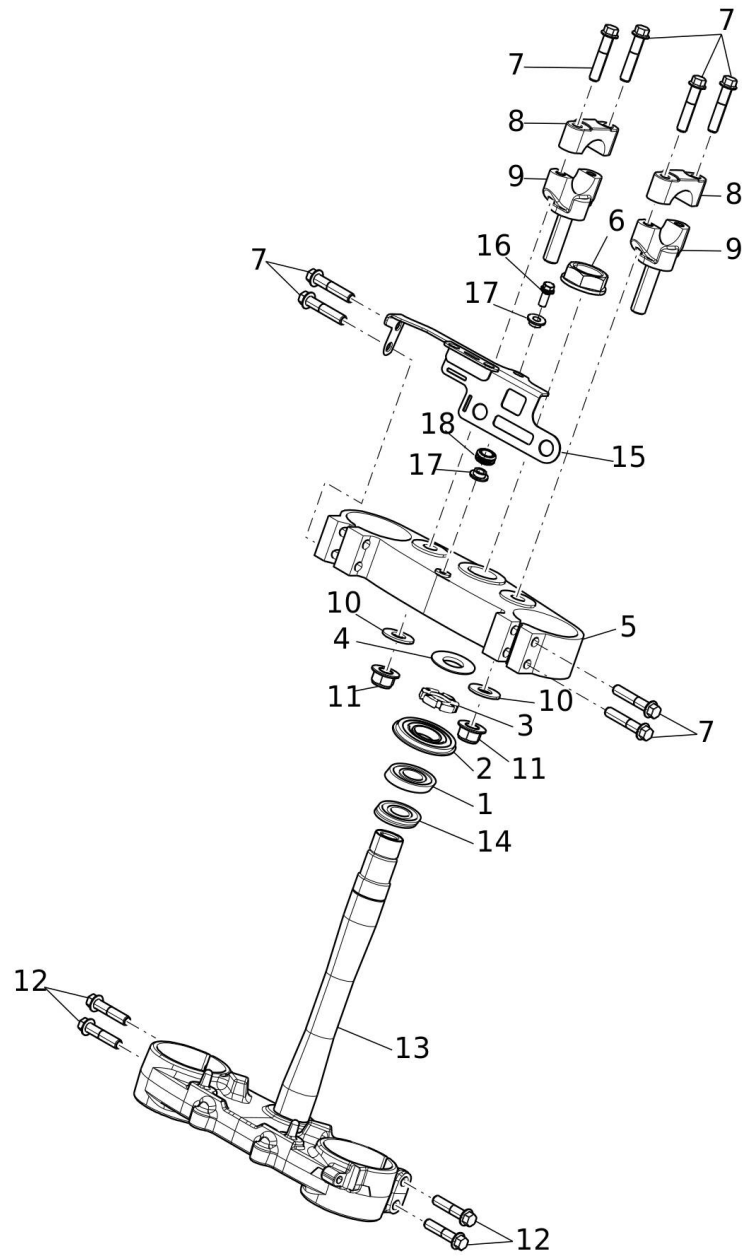
#	Code	Description	Specification	UM	Qty
39	06009005	TENSIONER		pz	1
40	V2062005	BEARING(4EW)		pz	1
41	V1601005	CLAMP L175		pz	1



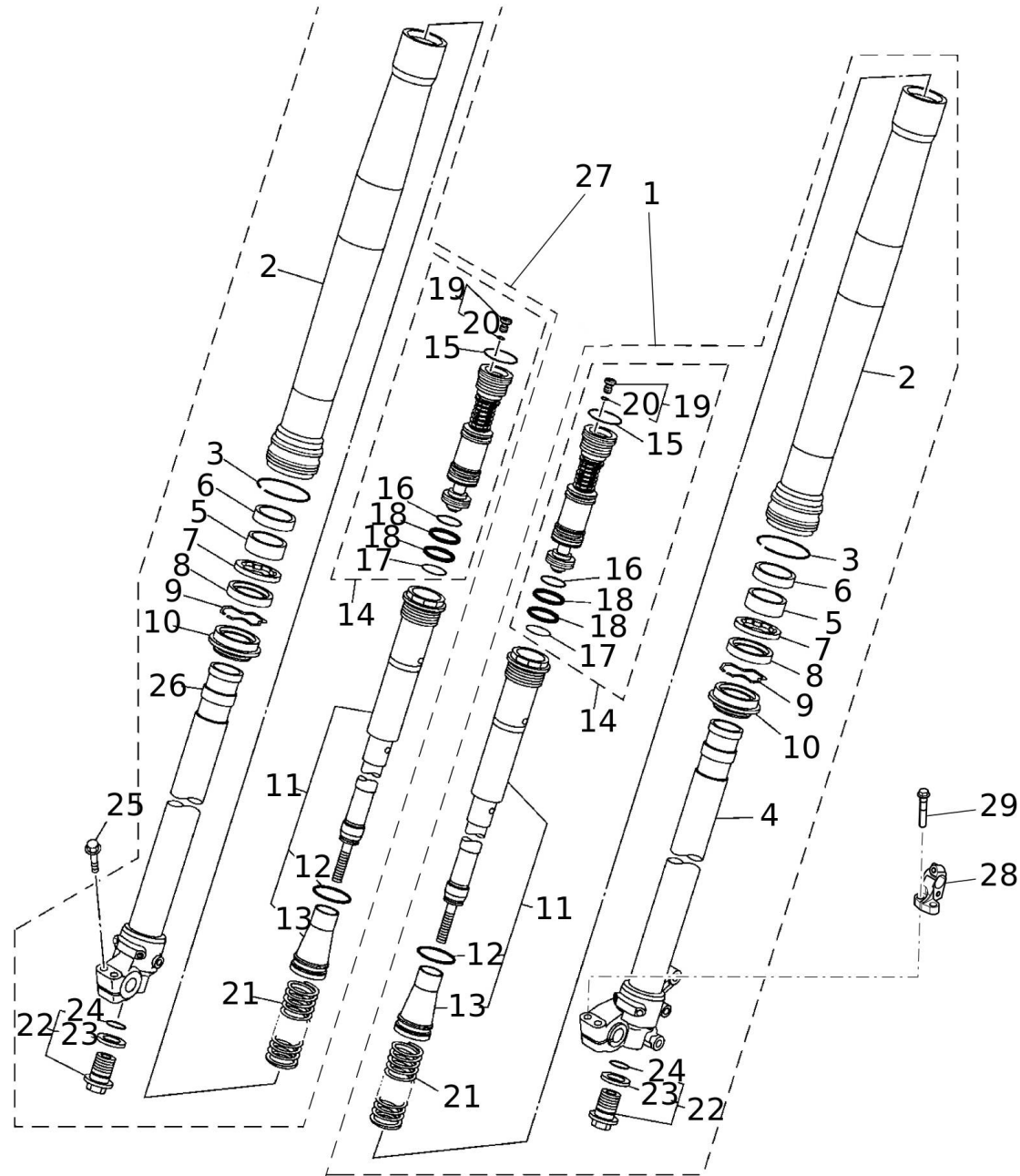
#	Code	Description	Specification	UM	Qty
1	06031005	REAR ARM COMP.		pz	1
2	06050005	ARM RELAY		pz	1
3	06051005	BEARING(4EW)		pz	4
4	V1132005	DISC		pz	4
5	06052005	OIL SEAL		pz	4
6	V1131005	WASHER BUSHING		pz	4
7	V0591005	BUSH DISTRIBUTION OFF ROAD 2T		pz	2
8	06056005	ROD CONNECTING 1		pz	1
9	06051005	BEARING(4EW)		pz	2
10	06058005	OIL SEAL		pz	2
11	V0593005	BUSH DISTRIBUTION OFF ROAD 2T		pz	1
12	06060005	SHAFT 1		pz	1
13	06061005	SHAFT 2		pz	2
14	V1133005	DISC		pz	3
15	06063005	NUT SELF-LOCKING		pz	3
16	06064005	COVER		pz	1
17	06065005	COVER 2		pz	1
18	V1345005	SCREW M4X10 CH2.5		pz	4
19	V0603005	PLATE SWINGARM		pz	2
20	06034005	BEARING(4EW)		pz	4
21	06035005	BEARING(4EW)		pz	2
22	06036005	OIL SEAL		pz	2
23	06037005	OIL SEAL		pz	2
24	V0594005	BUSHING SWINGARM OFF ROAD 2T		pz	2
25	V1456005	SPACER SWINGLER		pz	2
26	06043005	CHAIN ??GUIDE		pz	1
27	V1346005	SCREW M6X50 CH8		pz	2
28	V1365005	NUT M6X1 FLANGE CH 10		pz	2
29	06047005	SHAFT PIVOT		pz	1
30	06048005	NUT SELF-LOCKING		pz	1
31	00253005	WASHER M16		pz	1
32	V1458005	SCREW M6X12 CH8		pz	1
33	06042005	SUPPORT CHAIN		pz	1
34	V0184005	CHAIN ??GRINDER 2T		pz	1
35	V2848005	VITE COLL TBFEI M5X9 (COLL Ø8.5x4)		pz	4
36	V1763005	CONNECTING ROD OVERHAUL KIT		pz	1



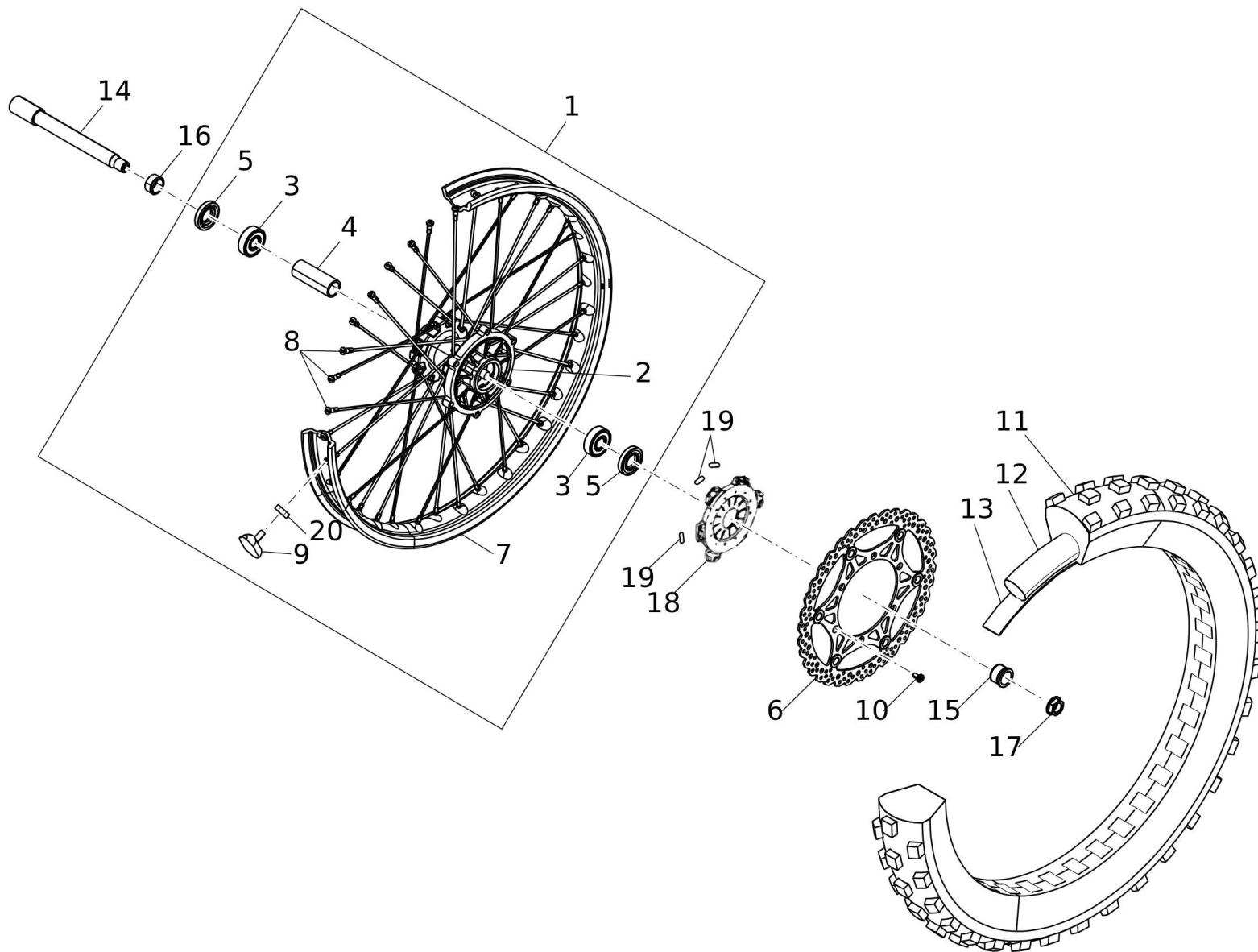
#	Code	Description	Specification	UM	Qty
1	V1170005	SHOCK ABSORBER CPL		pz	1
2	V1378005	SCREW MONO TOP		pz	1
3	V1342005	NUT S/L M10 CH14		pz	1
4	00341005	WASHER 10		pz	1
5	V1377005	SCREW MONO BOTTOM		pz	1
6	V1157005	NUT CH17 M10		pz	1
7	V2045005	SMORZATORE		pz	1
8	06069005	CAP AIR VALVE		pz	1
9	06070005	BUSH SHOCK ABSORBER		pz	1
10	06071005	CIRCLIP		pz	1
11	06072005	GUIDE SPRING		pz	1
12	06073005	SEAT SPRING UPPER		pz	1
13	06075005	REAR SHOCK SPRING (K=46N/MM)	ACCESSORY	pz	1
13	06401005	MOLLA K=42N/MM	ACCESSORY	pz	1
13	06402005	MOLLA K=44N/MM	ACCESSORY	pz	1
13	06403005	MOLLA K=48N/MM	STD	pz	1
13	06404005	MOLLA K=50N/MM	ACCESSORY	pz	1
13	06405005	MOLLA K=52N/MM	ACCESSORY	pz	1
13	06406005	MOLLA K=54N/MM	ACCESSORY	pz	1
13	06407005	MOLLA K=56N/MM	ACCESSORY	pz	1
13	06408005	MOLLA K=APPROX.44N/MM	ACCESSORY	pz	1
13	06409005	MOLLA K=APPROX.46N/MM	ACCESSORY	pz	1
13	06410005	MOLLA K=APPROX.48N/MM	ACCESSORY	pz	1
13	06411005	MOLLA K=APPROX.50N/MM	ACCESSORY	pz	1
13	06412005	MOLLA K=APPROX.52N/MM	ACCESSORY	pz	1
13	06413005	MOLLA K=APPROX.54N/MM	ACCESSORY	pz	1
13	06414005	MOLLA K=APPROX.56N/MM	ACCESSORY	pz	1
14	06076005	GUIDE SPRING 1		pz	1
15	06077005	GUIDE SPRING 2		pz	1
16	06078005	COLLAR DISTANCE		pz	2
17	08256005	OIL SEAL		pz	2
18	06080005	SEAL RING		pz	2
19	06081005	BEARING(4EW)		pz	1
20	06082005	COLLAR		pz	1
21	06083005	COLLAR DISTANCE		pz	2
22	06084005	PARAPOLVERE		pz	2



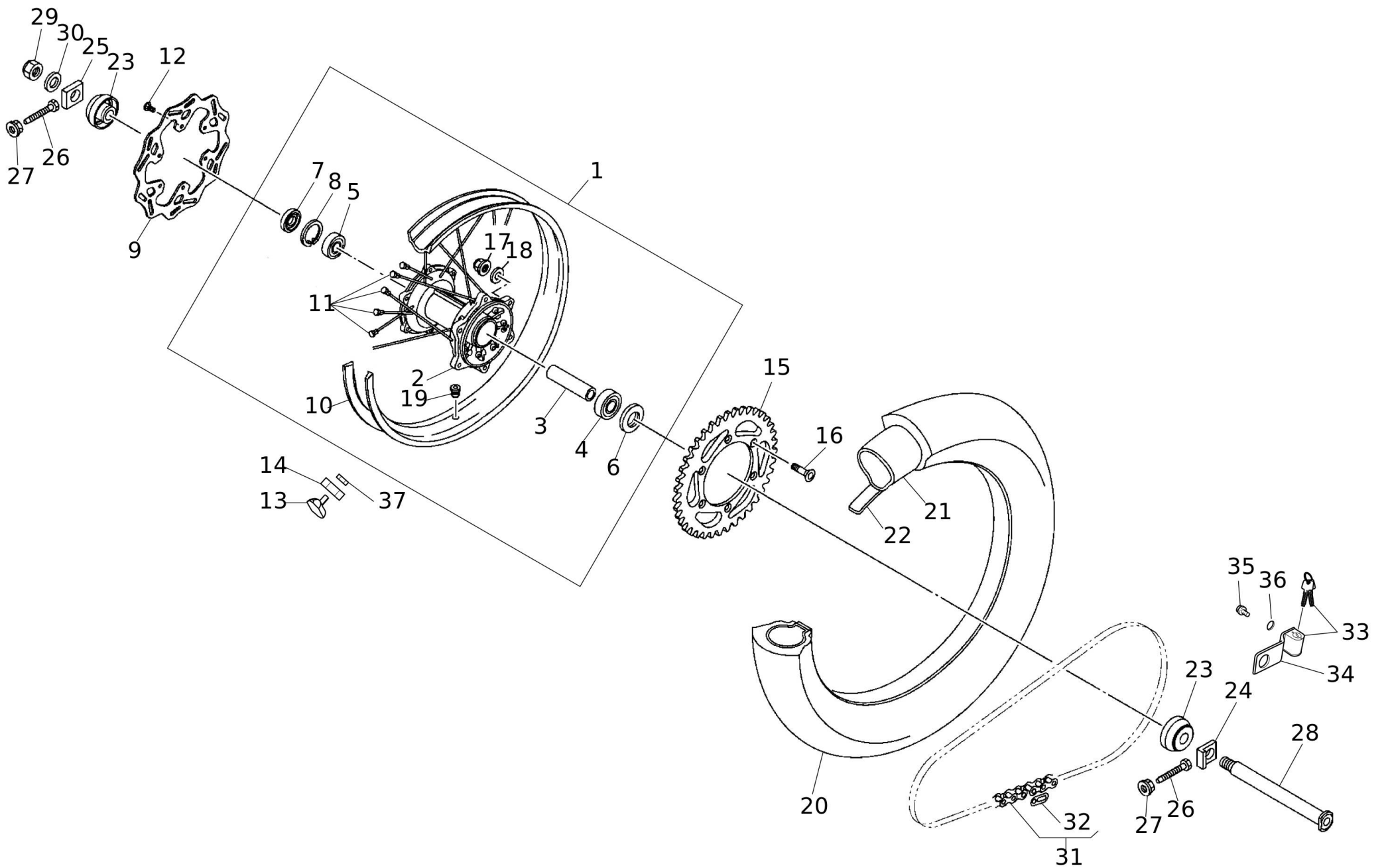
#	Code	Description	Specification	UM	Qty
1	06093005	BEARING		pz	1
	08389005	BEARING(4EW)		pz	1
2	06094005	COVER BALL RACE 2		pz	1
3	V1134005	STEERING HEAD NUT		pz	1
4	V1359005	WASHER M28X40 1.0		pz	1
5	06097005	FORK BRIDGE UPPER		pz	1
6	V1158005	NUT STEERING HEAD CH32 M24		pz	1
7	V1153005	SCREW CH10 M8X40		pz	8
8	08533005	UPPER RISER		pz	2
9	06101005	LOWER RISER		pz	2
10	V1363005	WASHER LOWER HANDLEBAR MOUNT		pz	2
11	V1349005	NUT M12X1.25 FLANGE S/L CH17		pz	2
12	V1154005	SCREW CH10 M8X35		pz	4
13	08072005	UNDER BRACKET COMP.		pz	1
14	06154005	BEARING(4EW)		pz	1
15	V3129005	STAFFA SUPP STRUMENTO XE300 MY26		pz	1
16	07433005	6x10 BOLT FLANGE		pz	1
17	07694005	BUSHING		pz	2
18	V1566005	CABLE GUIDE 10/12/16 2 BLACK		pz	1



#	Code	Description	Specification	UM	Qty
1	V0037005	FRONT FORK ASSY (L.H)		pz	1
2	06106005	FODERO FORCELLA		pz	2
3	06107005	CIRCLIP		pz	2
4	06108005	LEFT STEM		pz	1
5	06109005	SPACER FRONT FORK		pz	2
6	06110005	METAL SLIDE 1		pz	2
7	06111005	WASHER, OIL SEAL		pz	2
8	06112005	OIL SEAL		pz	2
9	06113005	RING SNAP		pz	2
10	06114005	SEAL DUST		pz	2
12	06116005	O-RING		pz	2
	09192005	O-RING		pz	2
13	06117005	SEAT SPRING UPPER		pz	2
15	06119005	O-RING		pz	2
16	06120005	O-RING		pz	2
17	06121005	O-RING		pz	2
18	06122005	O-RING		pz	4
19	06123005	VALVE AIR CPL		pz	2
20	06124005	O-RING		pz	2
	09198005	O-RING		pz	2
21	07015005	SPRING FRONT FORK (K=4.6)	Accessory	pz	1
21	07148005	SPRING FRONT FORK (K=4.5)	Accessory	pz	1
21	07149005	SPRING FRONT FORK (K=4.7)	Accessory	pz	1
21	07150005	SPRING FRONT FORK (K=4.8)	Accessory	pz	1
21	07151005	SPRING FRONT FORK (K=4.9)	Accessory	pz	1
21	07152005	SPRING FRONT FORK (K=5.0)	Accessory	pz	1
21	07153005	SPRING FRONT FORK (K=5.1)	Accessory	pz	1
21	07154005	SPRING FRONT FORK (K=4.1)	Accessory	pz	1
21	07155005	SPRING FRONT FORK (K=4.2)	Accessory	pz	1
21	07156005	SPRING FRONT FORK (K=4.3)	STD	pz	1
21	07157005	SPRING FRONT FORK (K=4.4)	Accessory	pz	1
21	V0045005	SPRING, FRONT FORK (K=3.9)	Accessory	pz	1
21	V0046005	SPRING, FRONT FORK (K=4.0)	Accessory	pz	1
22	06126005	ADJUSTING SCREW		pz	2
	09199005	ADJUSTING SCREW		pz	2
23	06127005	SEAL HOUSING		pz	2
24	06128005	SEAL HOUSING		pz	2
25	07007005	BOLT FLANGE DEEP RECESS		pz	4
26	06132005	RIGHT STEM		pz	1
27	V0040005	FRONT FORK ASSY (R.H)		pz	1
28	07020005	BRACKET 1		pz	1
29	V1422005	SCREW M8X45 CH10		pz	2

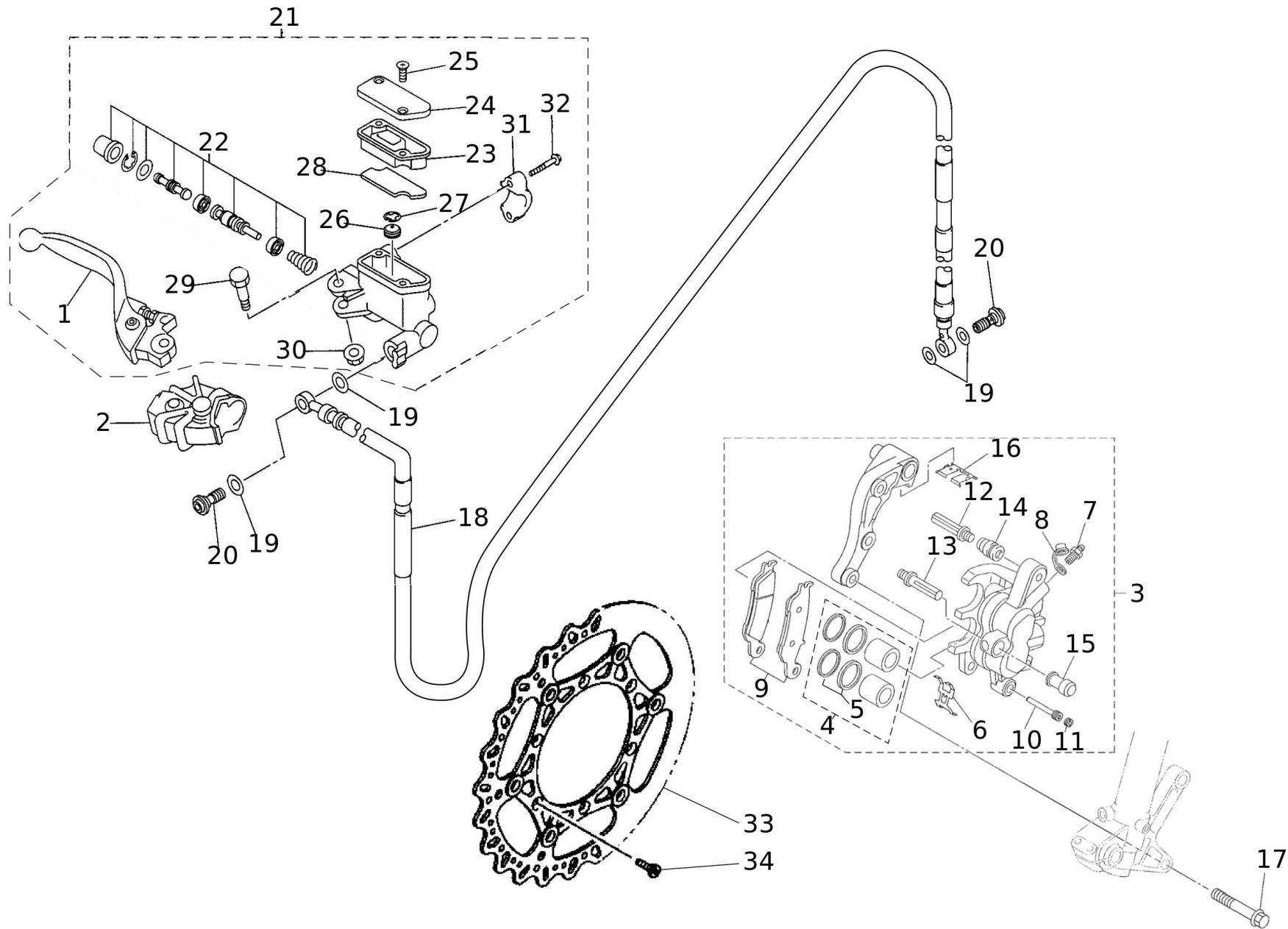


#	Code	Description	Specification	UM	Qty
1	V0091020	WHEEL XE 125 MY23		pz	1
2	06196005	HUB FRONT		pz	1
3	09705005	BEARING(4EW)		pz	2
4	V1124005	FRONT WHEEL BEARING SPACER		pz	1
5	06199005	OIL SEAL		pz	2
6	08424005	FR. BRAKE DISK ASSY		pz	1
7	09706005	RIM (1.60-21)		pz	1
8	06201005	SPOKE SET FRONT		pz	1
9	V1615005	FRONT TIRE STOPPER 1.6"		pz	1
10	V1145005	SCREW BRAKE DISC CH6 M6X9		pz	6
11	08441005	TIRE		pz	1
12	00234005	INNER TUBE-FRONT 21" CASA		pz	1
13	07531005	FLAP R21 1430 X 22		pz	1
14	06206005	AXLE FRONT		pz	1
15	V1125005	FRONT AXLE BUSH		pz	1
16	V1126005	FRONT AXLE BUSH		pz	1
17	V1123005	NUT FRONT WHEEL M16X1.5 FLANGIATO CH22		pz	1
18	07058005	ROTOR SENSOR		pz	1
19	07059005	GROMMET		pz	3
20	00583005	NUT-LOCK 8 LOW		pz	1

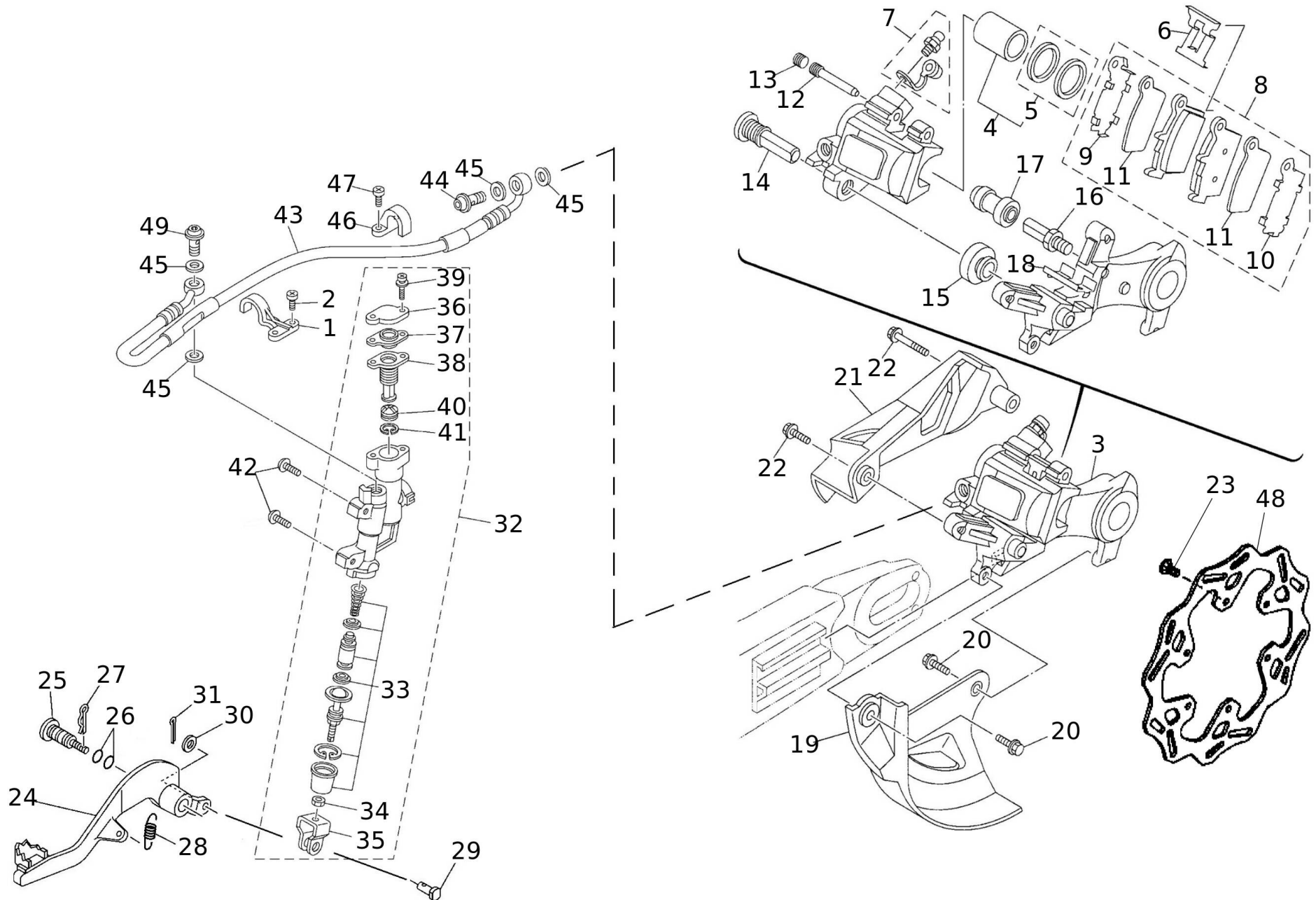


#	Code	Description	Specification	UM	Qty
1	V0092020	REAR WHEEL XE125 MY23		pz	1
2	06228005	REAR WHEEL HUB		pz	1
3	V1127005	REAR WHEEL BEARING SPACER		pz	1
4	06230005	BEARING(4EW)		pz	1
5	06231005	BEARING(4EW)		pz	1
6	06232005	OIL SEAL		pz	1
7	06233005	OIL SEAL		pz	1
8	V1411005	REAR WHEEL CAP RING J44 DIN 472		pz	1
9	07548005	DISK REAR BRAKE 2		pz	1
10	08425005	RIM 2.15-18		pz	1
11	06263005	SPOKE SET REAR		pz	1
12	V1145005	SCREW BRAKE DISC CH6 M6X9		pz	6
13	V1616005	REAR TIRE STOPPER 2.15"		pz	1
14	06241005	SMORZATORE		pz	1
15	06242005	REAR SPROCKET 48T ALU	ACCESSORY	pz	1
15	06243005	REAR SPROCKET 47T ALU	ACCESSORY	pz	1
15	06247005	REAR SPROCKET 52T ALU	ACCESSORY	pz	1
15	V0203005	REAR SPROCKET 49T ALU	ACCESSORY	pz	1
15	V0204005	CORONA ERGAL NATURALE 50D	STD	pz	1
15	V0205005	REAR SPROCKET 51T ALU	ACCESSORY	pz	1
16	V2846005	VITE TS M8X31 ZB 10.9 UNI-5933		pz	6
17	V2842005	DADO ASS M8 H8 ZB C6 DIN-980-V		pz	6
18	00060005	WASHER M8 UNI 6592		pz	6
19	06251005	GROMMET		pz	1
	06973005	GROMMET		pz	1
20	08485005	TIRES 140/80-18 METZELER 6 DAYS		pz	1
21	08454005	INNER TUBE		pz	1
22	07530005	FLAP R18 1290 X 27		pz	1
23	06252005	COLLAR ASSY		pz	2
24	V1140005	CHAIN ??TENSIONER LEFT		pz	1
25	V1141005	CHAIN ??TENSIONER RIGHT		pz	1
26	V1357005	SCREW M8X55 CH10		pz	2
27	V1364005	NUT M8X1.25 FLANGE CH12		pz	2
28	06257005	REAR AXLE		pz	1
29	06258005	NUT SELF-LOCKING		pz	1
30	V1360005	DISC PACHSE REAR		pz	1
31	V0226005	CATENA ENDURO 520 CON GIUNTO - 114 MAGLIE		pz	1
32	06261005	JOINT CHAIN(DID520DM G&B-RJ)		pz	1
33	07386005	REAR SPROCKET LOCK XE/XEF	EU	pz	1
34	07393005	REAR SPROCKET LOCK SUPPORTING BRACKET	EU	pz	1
35	07444005	M6X12 SCREW COUNTERSUNK	EU	pz	2

#	Code	Description	Specification	UM	Qty
36	07394005	REAR SPROCKET LOCK WASHER	EU	pz	1
37	00583005	NUT-LOCK 8 LOW		pz	1

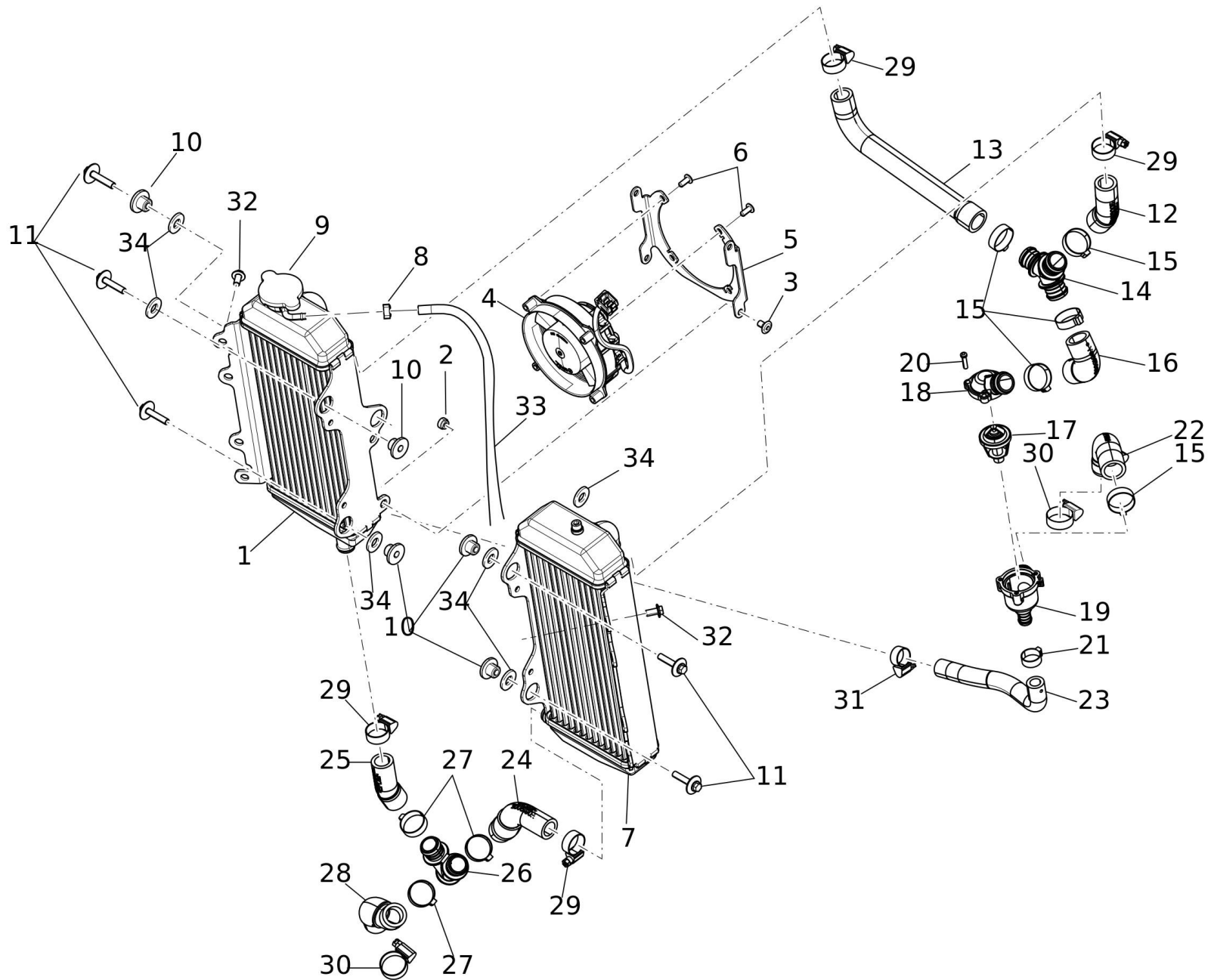


#	Code	Description	Specification	UM	Qty
1	08740005	CLUTCH LEVER		pz	1
2	06328005	COVER HANDLE LEVER 1		pz	1
3	08428005	FRONT BRAKE CALIPER		pz	1
4	08426001	PISTON ASSY CALIPER		pz	1
5	08460001	CALIPER SEAL KIT		pz	1
6	08462001	SUPPORT PAD		pz	1
7	06217005	DRAIN SCREW		pz	1
	06276005	VITE SPURGO-ASSIEME		pz	1
8	06276005	VITE SPURGO-ASSIEME		pz	1
9	08739005	FRONT BRAKE PADS		pz	1
10	06220005	PIN PAD		pz	1
11	06221005	PLUG		pz	1
12	06222005	VITE		pz	1
13	06223005	PIN		pz	1
14	06224005	BOOT CALIPER		pz	1
15	06225005	BOOT 2		pz	1
16	06226005	SUPPORT PAD		pz	1
17	V1154005	SCREW CH10 M8X35		pz	2
18	08429005	HOSE BRAKE XE		pz	1
19	00270005	FLAT COPPER WASHER		pz	4
20	V1576005	SCREW CONNECTION BRAKE		pz	2
21	08427005	FRONT BRAKE PUMP G CPL		pz	1
22	06316005	CYLINDER KIT MASTER		pz	1
23	06317005	DIAPHRAGM RESERVOIR		pz	1
24	06318005	CAP RESERVOIR		pz	1
25	06329005	SCREW FLAT HEAD		pz	2
26	06320005	SEPARATOR ASSY		pz	1
27	06321005	CIRCLIP		pz	1
28	06322005	FLOAT RESERVOIR		pz	1
29	06324005	BOLT LEVER		pz	1
30	06325005	NUT WITH WASHER		pz	1
31	06326005	BRACKET MASTER CYLINDER		pz	1
32	06327005	BOLT FITTING		pz	2
33	08424005	FR. BRAKE DISK ASSY		pz	1
34	V1145005	SCREW BRAKE DISC CH6 M6X9		pz	6

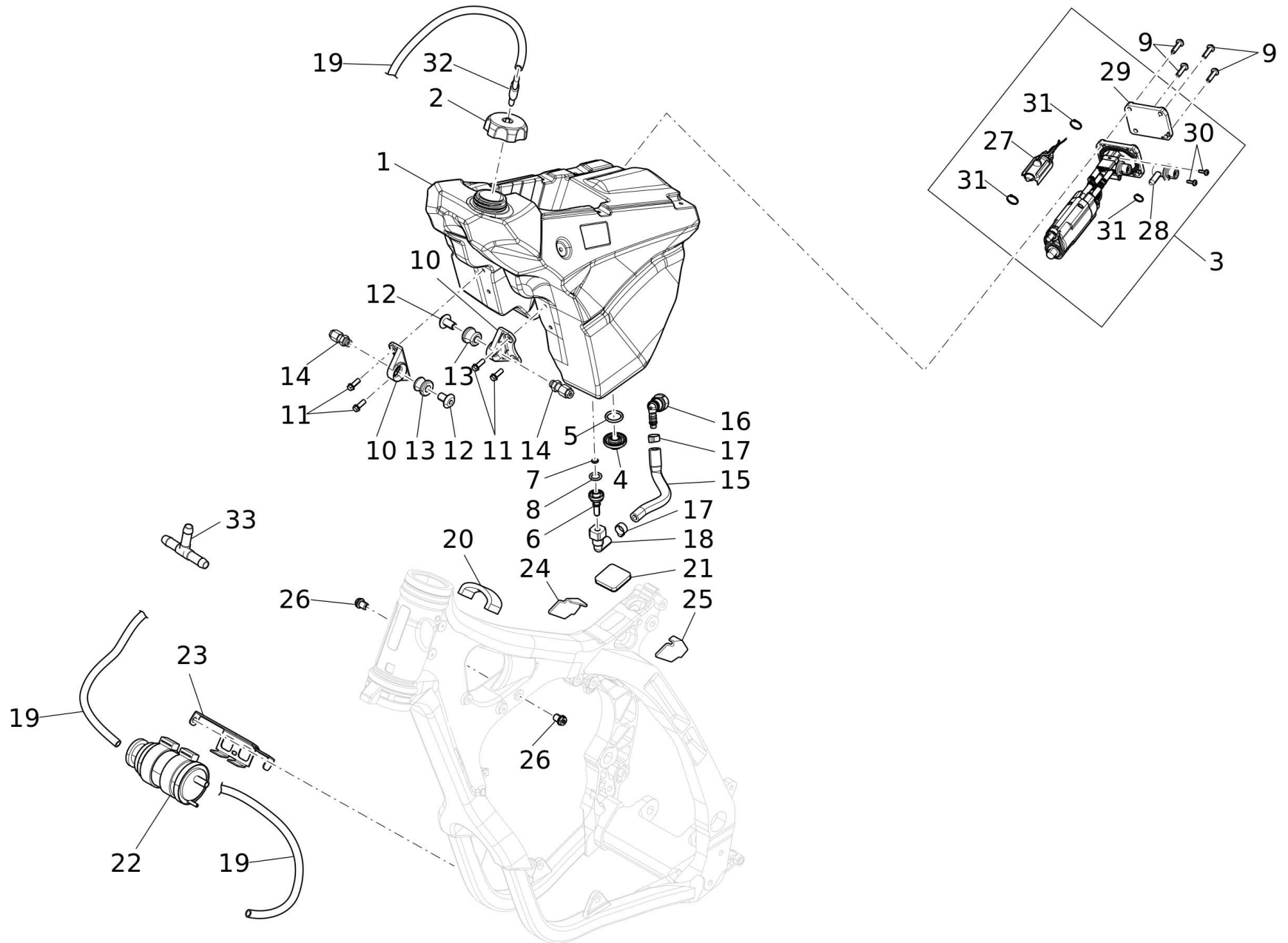


#	Code	Description	Specification	UM	Qty
1	06370005	HOLDER BRAKE HOSE 2		pz	1
2	V1341005	SCREW M5X10_PH2		pz	2
3	08658005	CALIPER ASSY, REAR 2		pz	1
4	06273005	PISTON ASSY CALIPER		pz	1
5	06274005	CALIPER SEAL KIT		pz	1
6	06275005	SUPPORT PAD		pz	1
7	06276005	VITE SPURGO-ASSIEME		pz	1
8	08076005	BRAKE PAD KIT 2		pz	1
9	06278005	SHIM CALIPER		pz	1
10	06279005	SHIM CALIPER		pz	1
11	06280005	INSULATOR HEAT		pz	2
12	06281005	PIN PAD		pz	1
13	06221005	PLUG		pz	1
14	06283005	PIN		pz	1
15	06224005	BOOT CALIPER		pz	1
16	06285005	PIN		pz	1
17	06225005	BOOT 2		pz	1
18	06287005	HOLDER		pz	1
19	06288005	PROTECTOR DISK BRAKE		pz	1
20	V1458005	SCREW M6X12 CH8		pz	2
21	07543005	PROTECTION BRAKE CALIPER		pz	1
22	V1458005	SCREW M6X12 CH8		pz	2
23	V1145005	SCREW BRAKE DISC CH6 M6X9		pz	6
24	V0597005	BRAKE PEDAL, XE300		pz	1
25	V0598005	REAR BRAKE PUMP PIN		pz	1
26	V0599005	O-RING 10.78X2.62 NBR 70 SH		pz	2
	V2837005	O-RING 10.3X2.4 NBR 70 SH		pz	2
27	V0612005	SAFETY SPLINT		pz	1
28	V0246005	SPRING BRAKE LEVER OFFROAD 2T		pz	1
29	V0600005	REAR BRAKE PUMP PIN		pz	1
30	00060005	WASHER M8 UNI 6592		pz	1
31	00323005	SPLIT PIN FOOTBOARDS		pz	1
32	06354005	RR. MASTER CYLINDER ASSY.		pz	1
33	06355005	CYLINDER KIT MASTER		pz	1
34	06356005	DADO		pz	1
35	06357005	JOINT		pz	1
36	06358005	CAP RESERVOIR		pz	1
37	06359005	PLATE DIAPHRAGM		pz	1
38	06360005	DIAPHRAGM RESERVOIR		pz	1
39	06361005	BOLT		pz	2
40	06320005	SEPARATOR ASSY		pz	1

#	Code	Description	Specification	UM	Qty
41	06321005	CIRCLIP		pz	1
42	V1144005	SCREW BRAKE PUMP PART M6X16 CH5		pz	2
43	V1412005	REAR BRAKE LINE XE300		pz	1
44	V1576005	SCREW CONNECTION BRAKE		pz	1
45	00270005	FLAT COPPER WASHER		pz	4
46	06368005	HOLDER BRAKE HOSE		pz	1
47	V1341005	SCREW M5X10_PH2		pz	2
48	07548005	DISK REAR BRAKE 2		pz	1
49	02112005	STOP SWITHC (BRAKING)		pz	1



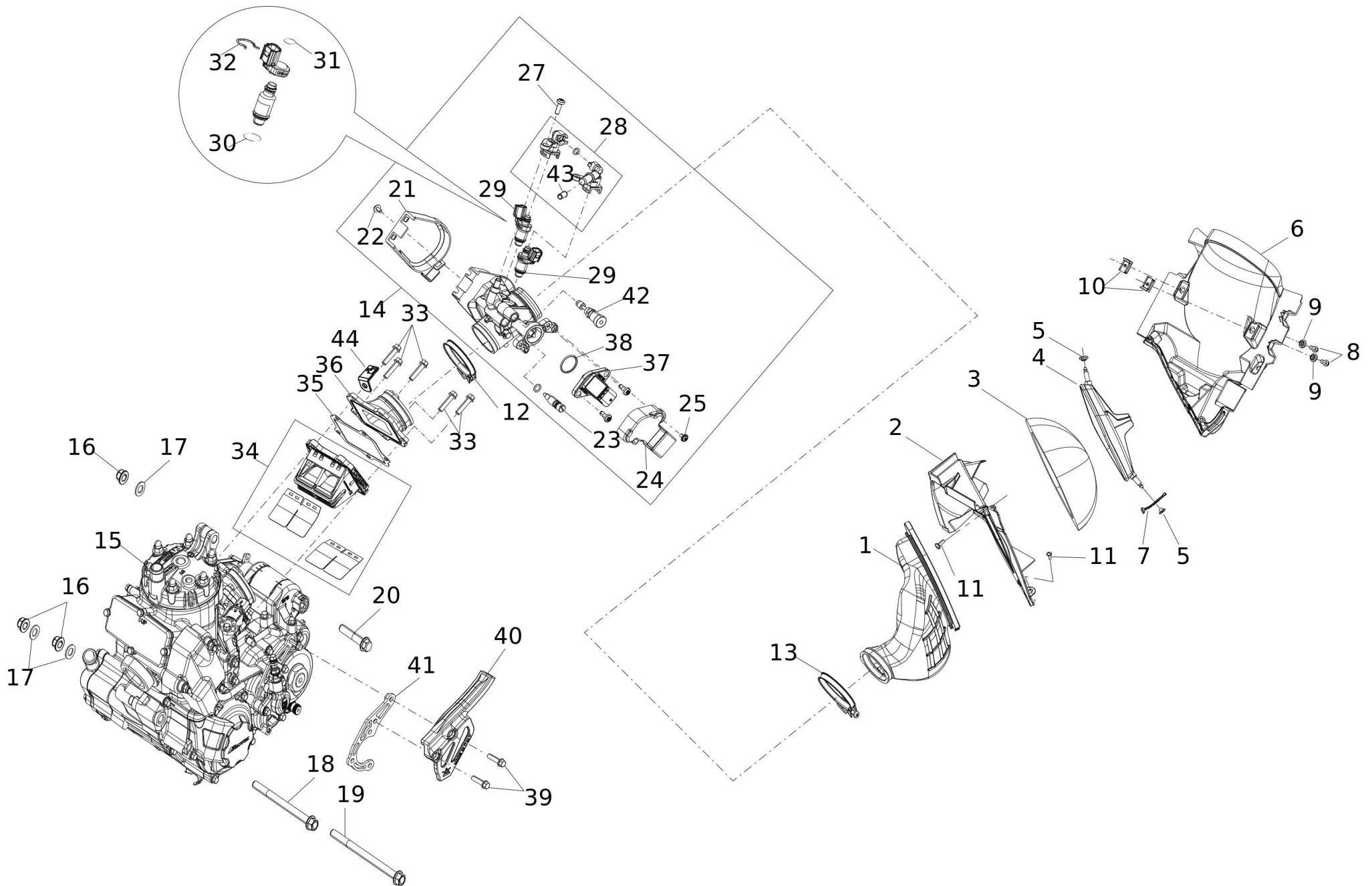
#	Code	Description	Specification	UM	Qty
1	V0133005	RADIATOR RIGHT 2T		pz	1
2	V1026005	NUT M6		pz	4
3	07478005	SCREW		pz	4
4	V1023005	FAN OFFROAD 2T		pz	1
5	V1022005	HOLDER FAN		pz	1
6	V1392005	SCREW 5X16		pz	4
7	V0134005	RADIATOR LEFT 2T		pz	1
8	01367005	RUBBER BAND		pz	1
9	V0136005	RADIATOR CAP 1.2 BAR		pz	1
10	V0288005	BUSHING RADIATOR		pz	6
11	06739005	BOLT WITH WASHER		pz	6
12	V0616005	RADIATOR HOSE LEFT XE300		pz	1
13	V0617005	RADIATOR HOSE RIGHT XE300		pz	1
14	V0936005	CONNECTING PIECE Y 120°		pz	1
15	V1117005	CLAMP CLST8 260 GR		pz	5
16	V0615005	CABLE XE300		pz	1
17	V0964005	THERMOSTATIC VALVE 70C		pz	1
18	V0938005	THERMOSTAT HOUSING TOP		pz	1
19	V0939005	THERMOSTAT HOUSING BOTTOM		pz	1
20	V0963005	SCREW 4X16		pz	3
21	V1115005	CLAMP CLST8 185 GR		pz	1
22	V0614005	CABLE XE300		pz	1
23	V0618005	BYPASS LINE XE300		pz	1
24	V0619005	RETURN LINE LEFT XE300		pz	1
25	V0620005	RETURN LINE RIGHT XE300		pz	1
26	V0937005	CONNECTING PIECE Y 40°		pz	1
27	V1116005	CLAMP CLST8 250 GR		pz	3
28	V0621005	RETURN LINE XE300		pz	1
29	V1119005	SCREW CLAMP 12 22		pz	4
30	V1120005	SCREW CLAMP 16 27		pz	2
31	V1118005	SCREW CLAMP 12 20		pz	1
32	V1151005	SCREW CH8 M6X12		pz	2
33	09850005	PIPE ROLLER BLACK		pz	1
34	V1764005	SILENTBLOCK		pz	6



#	Code	Description	Specification	UM	Qty
1	V0167005	GASOLINE TANK		pz	1
2	09353005	FUEL FILLER CAP		pz	1
3	V0326005	PETROL PUMP 2T		pz	1
4	V0286005	PETROL PUMP COVER		pz	1
5	V0292005	O-RING 20X3.5 NBR 70 SH		pz	1
6	V0287005	SCREW PUMP		pz	1
7	V0290005	O-RING 6X2 NBR 70 SH		pz	1
8	V0291005	O-RING 12.5X3 NBR 70 SH		pz	1
9	V0957005	SCREW PT 6X25		pz	4
10	06171005	HOLDER DAMPER		pz	2
11	V1351005	SCREW M6X16 FLANG CH8		pz	4
12	V1142005	SOCKET TANK		pz	2
13	V0590005	RUBBER DAMPER TANK HOLDER		pz	2
14	06175005	BOLT		pz	2
15	V1165005	LEAD 5/16		pz	1
16	V1052005	PETROL CONNECTION D10 90°		pz	1
17	09800005	CLST8 150 CLAMP		pz	2
18	05067005	QUICK CONNECTOR		pz	1
19	09850005	PIPE ROLLER BLACK		pz	100
20	08073005	DAMPER LOCATING 2		pz	1
21	V0934005	DAMPER RUBBER TANK		pz	1
22	NC450-0151	CANISTER NC450	EU	pz	1
23	V1367005	HOLDER ACTIVE CHARCOAL FILTER	EU	pz	1
24	V0596005	RUBBER TANK OFFROAD 2T		pz	1
25	V0595005	RUBBER TANK OFFROAD 2T		pz	1
26	V1136005	SCREW HOLDER TANK M10X1.25 CH12		pz	2
27	1503607000	FUEL RAIL PETROL FILTER		pz	1
28	V1766005	REGOLATORE PRES POMPA+OR XE300		pz	1
29	V1767005	GASKET		pz	1
30	V1768005	VITE AUTOFIL REGOLATORE		pz	2
31	V1769005	FASCETTA POMPA BENZ		pz	3
32	09354005	BREATHER VALVE PETROL STEAM		pz	1
33	09644005	T-JUNCTION 5 MM	EU	pz	1

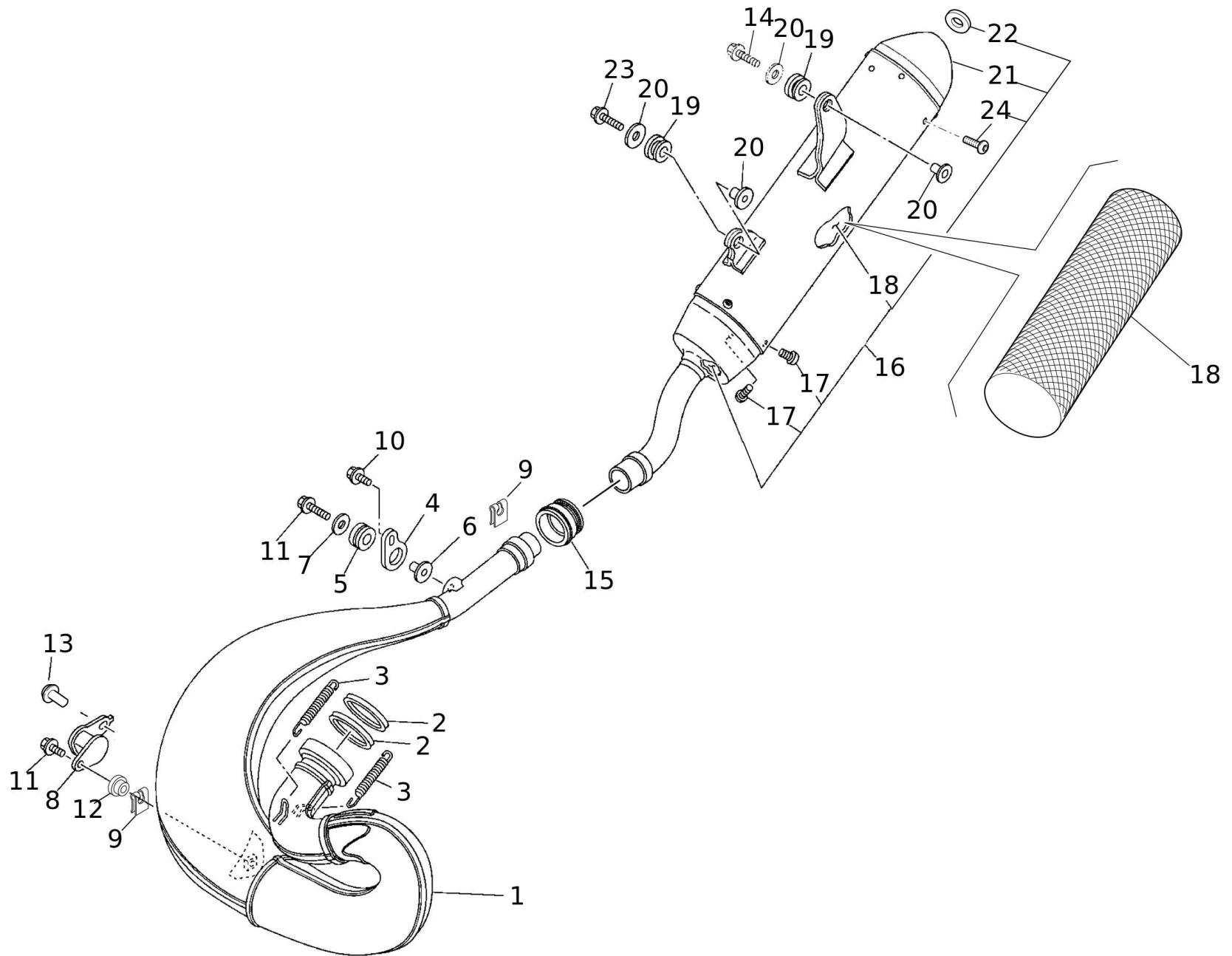


#	Code	Description	Specification	UM	Qty
1	V0270005	OIL TANK		pz	1
2	00320005	OIL TANK PLUG		pz	1
3	09854005	STICKER NEOPRENE 5X20		pz	5
4	V0283005	HOLDER OIL TANK		pz	1
5	07458005	SCREW		pz	2
6	06186005	BRACKET SEAT		pz	1
7	V1352005	SCREW M6X20		pz	1
8	V0284005	HOLDER OIL TANK		pz	1
9	01367005	RUBBER BAND		pz	1
10	V1021005	OIL LEVEL SENSOR		pz	1
11	V1796005	TRANSPARENT TPR-PUR HOSE 6x10		pz	1
12	01688005	CLIC110 CLAMP FOR RADIATOR		pz	5
13	V0601005	PMCD1604 JOINT		pz	1
14	V0602005	PMCD2304 JOINT		pz	1
15	V0589005	CPC BARCKET		pz	1
16	V1559005	HOLDER OIL TANK		pz	1
17	07389005	PVC FAIRLEAD KB 8-10-14-4 BLACK		pz	1
18	V1465005	SCREW M6X10 CH8		pz	1
19	V1542005	MIXTURE OF OIL FIN LTER		pz	1
20	V1547005	OIL PUMP GEAR		pz	1
21	50AM6-0044	CLIP		pz	2
22	V2770005	SERBATOIO SPURGO OLIO MISCELA MY26		pz	1
23	6400202000	OIL PUMP		pz	1
24	5101984000	SOCKET D8 14 H11		pz	1
25	V1344005	SCREW M6X25 FLANG CH 8		pz	1
26	V1795005	TRANSPARENT TPR-PUR HOSE 2.5X5		pz	1
27	V1597005	CLAMP CLST8 230 GR		pz	1
28	V1604005	PLUG OIL LINE		pz	1
29	FT210011	RADIATOR RUBBER		pz	1
30	V1621005	BUSH D10-19.5 H13		pz	1
31	00064005	NUT-LOCK 6 LOW		pz	1
32	V1155005	SCREW CH8 M6X22		pz	1
33	00821005	CLAMP OIL TANK		pz	1
34	V0095005	DAMPER STRIP 20X3		pz	1
	b0900099005	GUARNITUTTO 20x3		cm	1

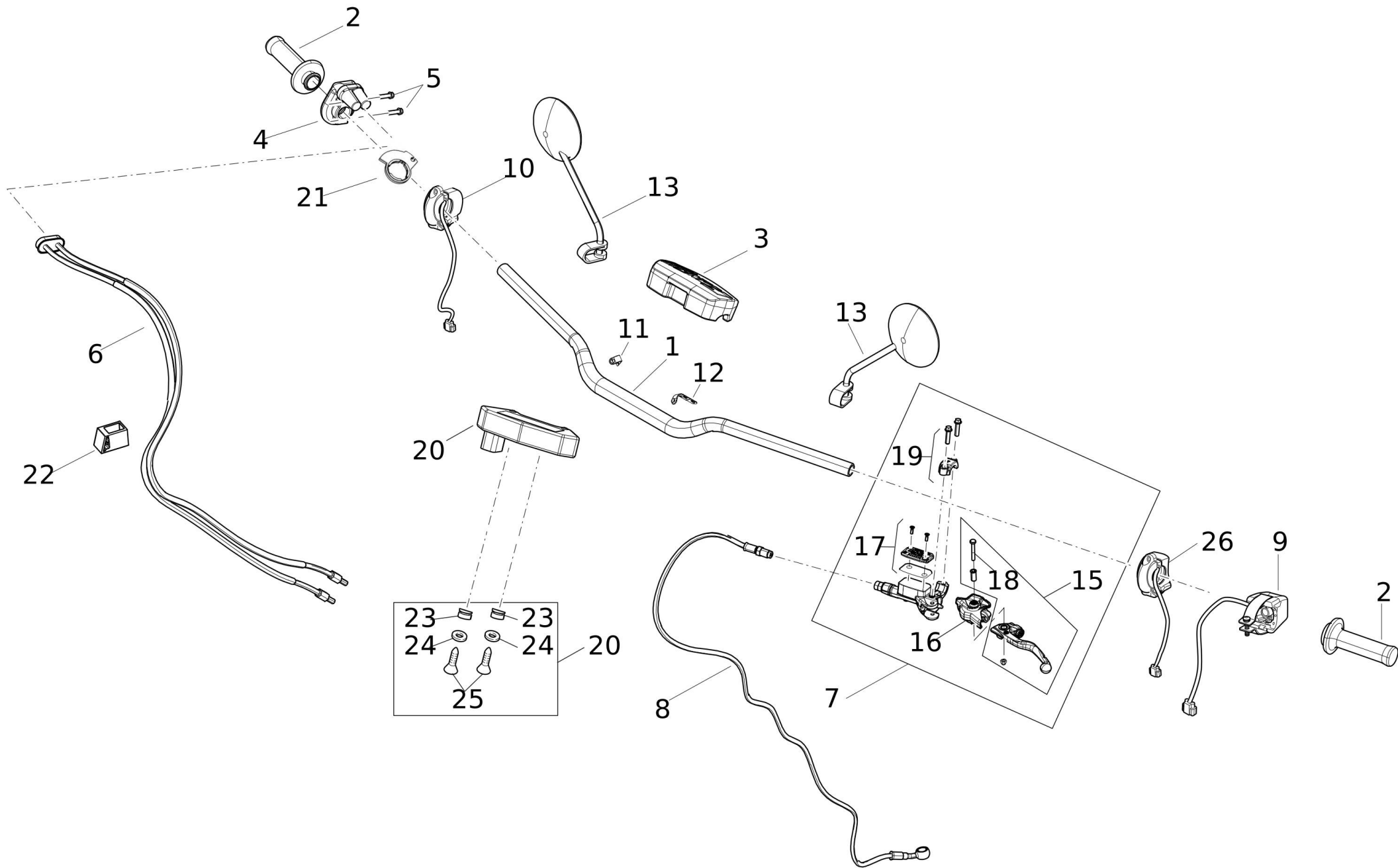


#	Code	Description	Specification	UM	Qty
1	V1002005	INTAKE MANIFOLD XE 300		pz	1
2	09446005	AIRBOX FRONT, XX/XE MY23		pz	1
3	09500005	AIR FILTER OFF-ROAD 2T MY23		pz	1
4	09443005	AIR FILTER SUPPORT	accessory, RW	pz	1
4	09444005	AIR FILTER SUPPORT WITH REDUCTION	EU	pz	1
5	09442005	QUICK RELEASE RUBBER GROMMET		pz	2
6	09447005	AIRBOX REAR, XX/XE MY23		pz	1
7	09455005	AIR FILTER SUPPORT XX/XE MY23		pz	1
8	03549005	SCREW		pz	2
9	V1138005	BUSH		pz	2
10	00070005	CLIP M6		pz	2
11	07458005	SCREW		pz	1
12	07855005	CLAMP		pz	1
13	V1475005	SCREW CLAMP 40 60		pz	1
14	1568199000	THROTTLE BODY ASSY		pz	1
15	V2714005	MOTORE XE300 i 2T MY26 -ASSIEME		pz	1
16	V1342005	NUT S/L M10 CH14		pz	3
17	00341005	WASHER 10		pz	3
18	V1148005	SCREW MOTOR MOUNT CH14 M10X120		pz	1
19	V1147005	SCREW MOTOR MOUNT CH14 M10X140		pz	1
20	V1146005	SCREW MOTOR MOUNT CH14 M10X50		pz	1
21	1502987000	COVER		pz	1
22	4919695000	VITE		pz	1
23	1508105000	SCREW BY-PASS		pz	1
24	1502988000	COVER TPS		pz	1
25	4919695000	VITE		pz	1
26	1507755000	STARTER VALVE COMP.		pz	1
27	4919696000	VITE		pz	1
28	1580003000	FUEL RAIL		pz	1
29	V1759005	INJECTOR ASSY		pz	2
30	WR125-0223	O-RING		pz	2
31	WR125-0307	O-RING		pz	2
32	WR125-0209	CLIP		pz	2
33	4925132000	SCREW		pz	5
34	6000878000	REED VALVE		pz	1
35	5304844000	GASKET		pz	1
36	6015079000	MANIFOLD		pz	1
37	V1770005	SENSORE TPS		pz	1
38	V1771005	O-RING TPS		pz	1
39	4925132000	SCREW		pz	2

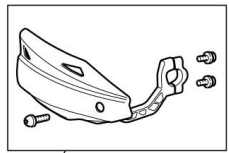
#	Code	Description	Specification	UM	Qty
40	V1169005	PINION PROTECTION XE300		pz	1
41	2606962000	CHAIN GUIDE		pz	1
42	1507755000	STARTER VALVE COMP.		pz	1
43	1503607000	FUEL RAIL PETROL FILTER		pz	1
44	V2065005	SUPPORTO CONNETTORE IDROSTOP		pz	1



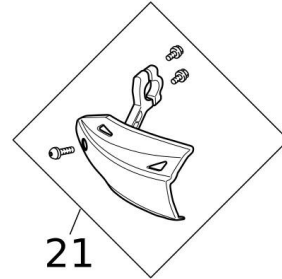
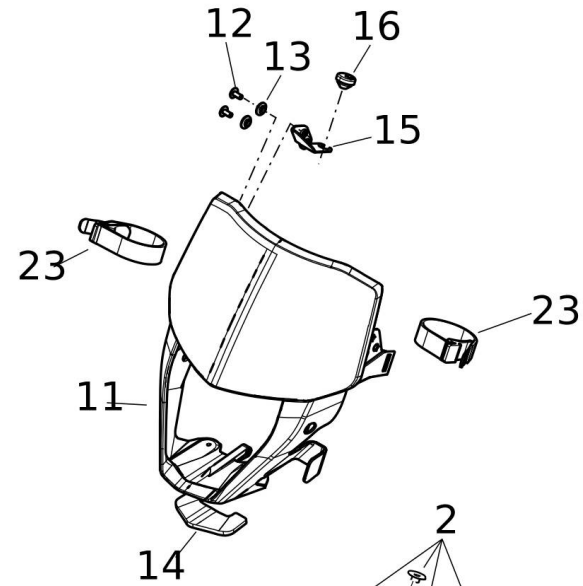
#	Code	Description	Specification	UM	Qty
1	V2766005	MARMITTA OMOLOGATA XE300 MY26 EU5+	EU	pz	1
1	V2797005	ESPANSIONE XE 300 2T	accessory, RW	pz	1
2	FM210391	O-RING 54X3 ORM 0540-30 FPM		pz	2
3	08488005	SPRING		pz	2
4	V1571005	HOLDER KRUEMMER	accessory, RW	pz	1
5	V1578005	RUBBER DAMPER MANIFOLD HOLDER		pz	1
6	V3491005	BOCCOLA T LAMIERINO MARMITTA		pz	1
7	V1130005	WASHER M6		pz	1
8	V1572005	RUBBER SILENCER EXHAUST HOLDER XE300 2T	accessory, RW	pz	1
9	00070005	CLIP M6		pz	2
10	V1156005	SCREW CH8 M6X14	accessory, RW	pz	1
11	V1344005	SCREW M6X25 FLANG CH 8		pz	1
12	07476005	BUSHING	accessory, RW	pz	1
13	10164005	SCREW 8x12 TBFL UNI 7380 FLANGED		pz	1
14	V1462005	SCREW M6X30 CH8		pz	1
15	V2798005	GIUNTO IN GOMMA SCARICO XE300		pz	1
16	V1070005	SILENCER XE 300 2T MY24		pz	1
17	V2290005	XE300 SILENCER BACK RIVETS		pz	4
18	V2292005	SOUND ABSORBING SILENCER XE300		pz	1
19	V1390005	RUBBER SILENCER EXHAUST		pz	2
20	09429005	COLLAR, SILENCER		pz	4
21	V2291005	XE300 SILENCER REAR BACKPACK		pz	1
22	07390005	MUFFLER GAS OUTLET GASKET		pz	1
23	V1344005	SCREW M6X25 FLANG CH 8		pz	1
24	V2289005	XE300 SILENCER BACK SCREWS		pz	4



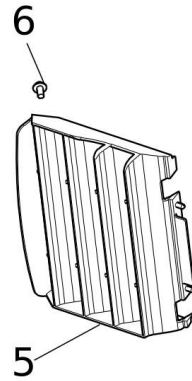
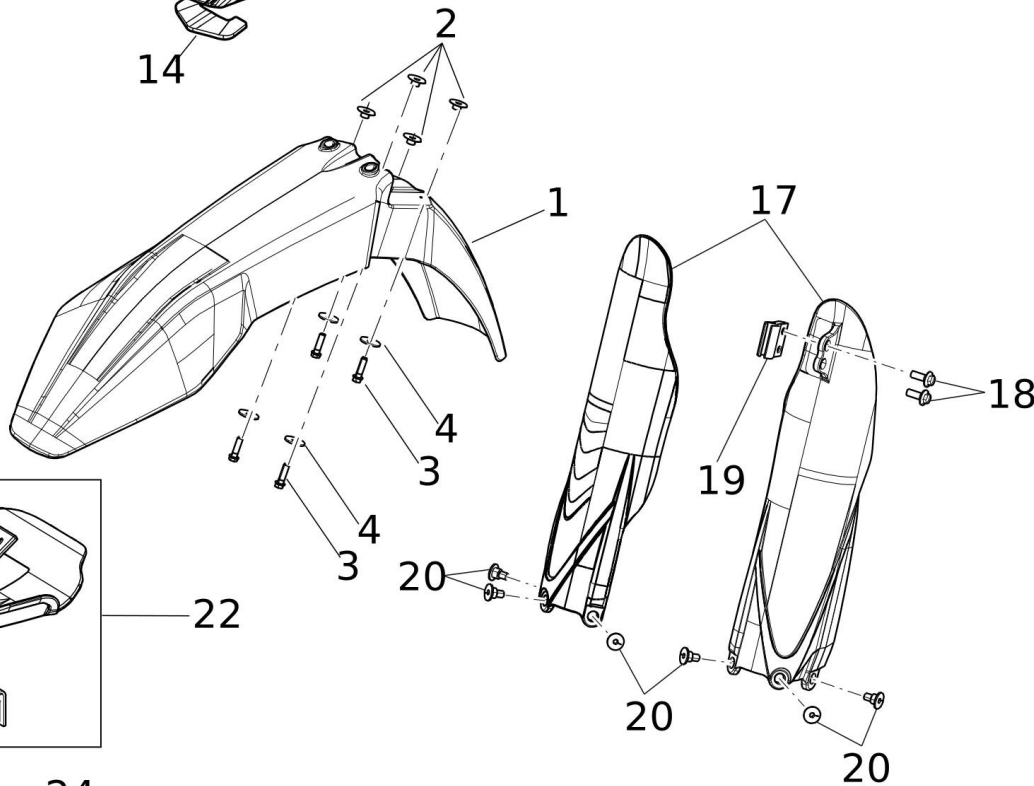
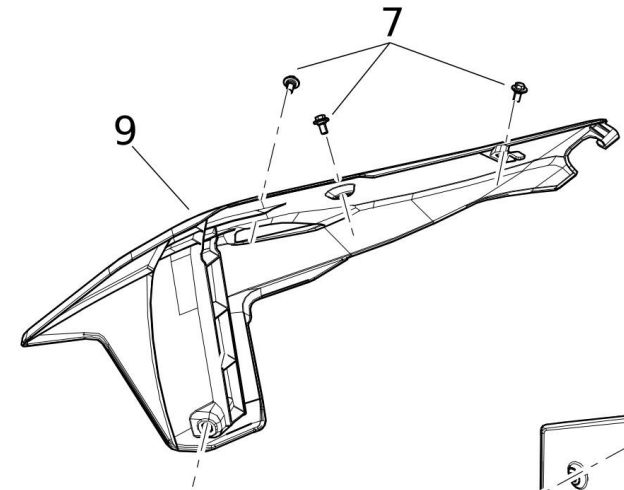
#	Code	Description	Specification	UM	Qty
1	FT230042	HANDLEBAR REIKON BLACK 9101		pz	1
2	V0199005	PAIR OF LOCK-ON KNOB OFF-ROAD WITH DOUBLE CABLE		pz	1
3	07532005	PROTECTOR, HANDLEBAR		pz	1
4	V0943005	THROTTLE HANDLE HOUSING		pz	1
5	V0944005	SCREW M6X20 THROTTLE HANDLE		pz	2
6	V0945005	THROTTLE CABLE XE300		pz	1
7	V0571005	POMPA FRIZIONE 10/17,7		pz	1
8	V0323005	HOSE, CLUTCH		pz	1
9	07729005	MY21 CAB LIGHTS DEVICE		pz	1
10	V2624005	DEVIO DX KILL SWITCH MY26		pz	1
11	V1481005	RUBBER CLAMP L43/66 DOUBLE SIZE		pz	1
12	V1480005	CLAMP RUBBER L88		pz	2
13	07407005	SPECCHIETTO RETROVISORE+MORSETTO	EU	pz	1
14	V0942005	KRK EVO D38 DOUBLE THROTTLE CABLE CLAMP		pz	1
15	02353005	LEVER CLUTCH PUMP		pz	1
16	02899005	COVER-DUST CLUTCH LEVER 2T		pz	1
17	V1760005	CAP FUEL TANK		pz	1
18	V1779005	PIN		pz	1
19	V1762005	CAVALLOTTO		pz	1
20	V1798005	STRUMENTO CONTAKM OFFROAD MY25		pz	1
21	V0942005	KRK EVO D38 DOUBLE THROTTLE CABLE CLAMP		pz	1
22	V1541005	GOMMINO GUIDACAVO		pz	1
23	08583005	KOSO CUSHION RUBBER		pz	2
24	05178005	WASHER		pz	2
25	00496005	SCREW M4x1.25x18		pz	2
26	V2245005	OFF-ROAD MULTIFUNCTION SWITCH		pz	1



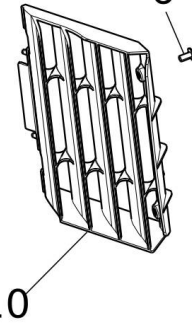
21



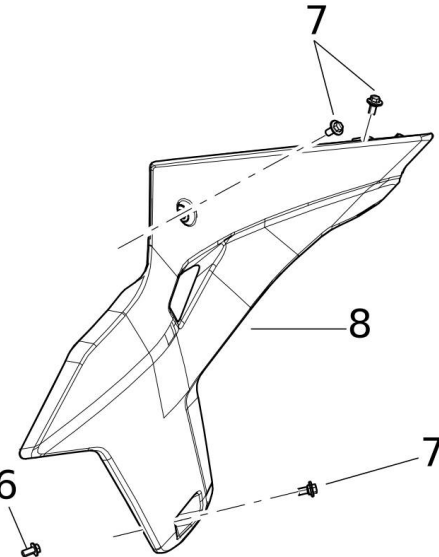
21



6



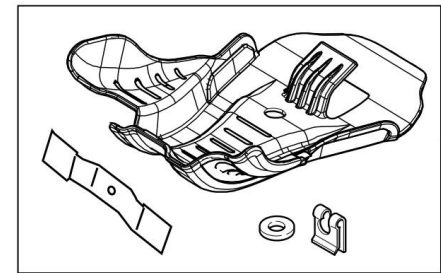
10



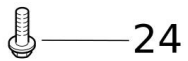
7

8

7



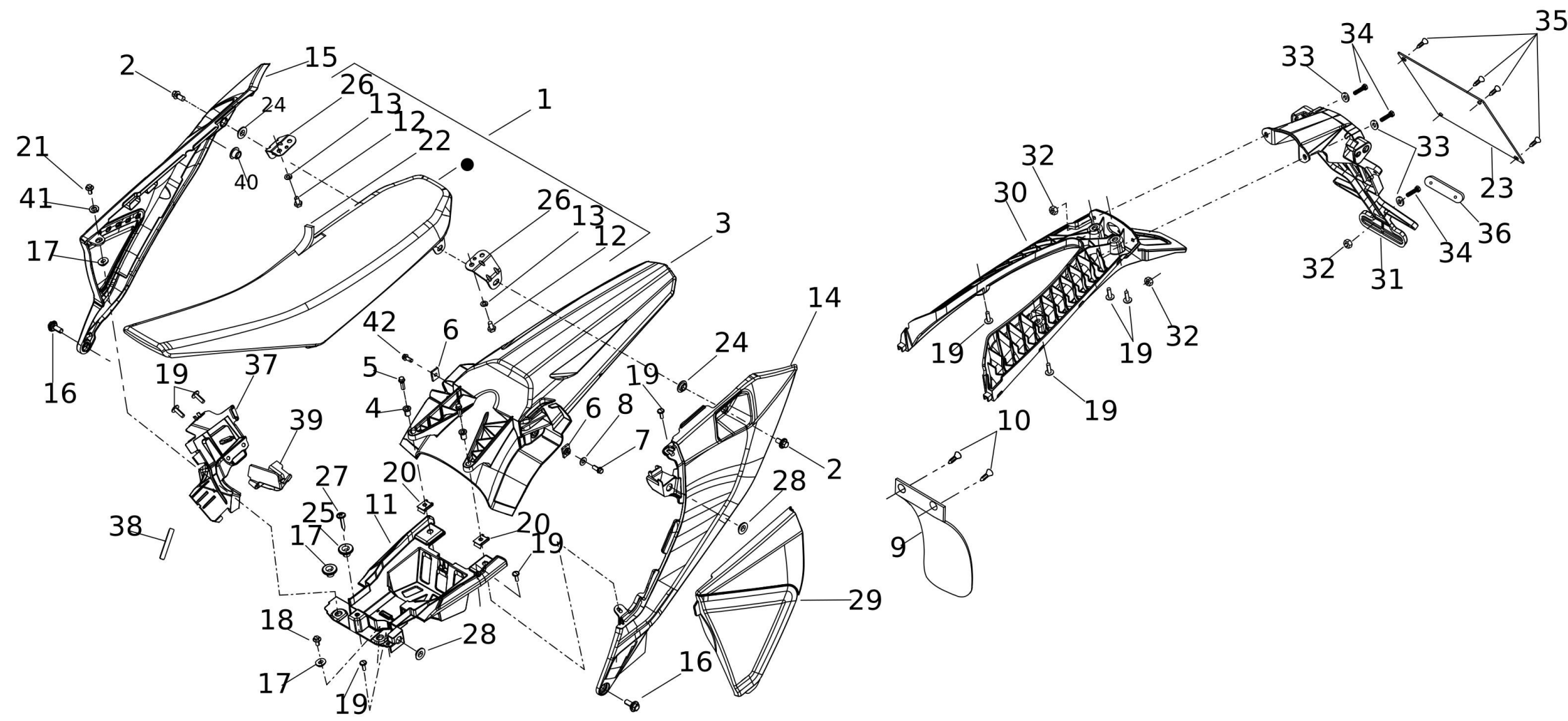
22



24

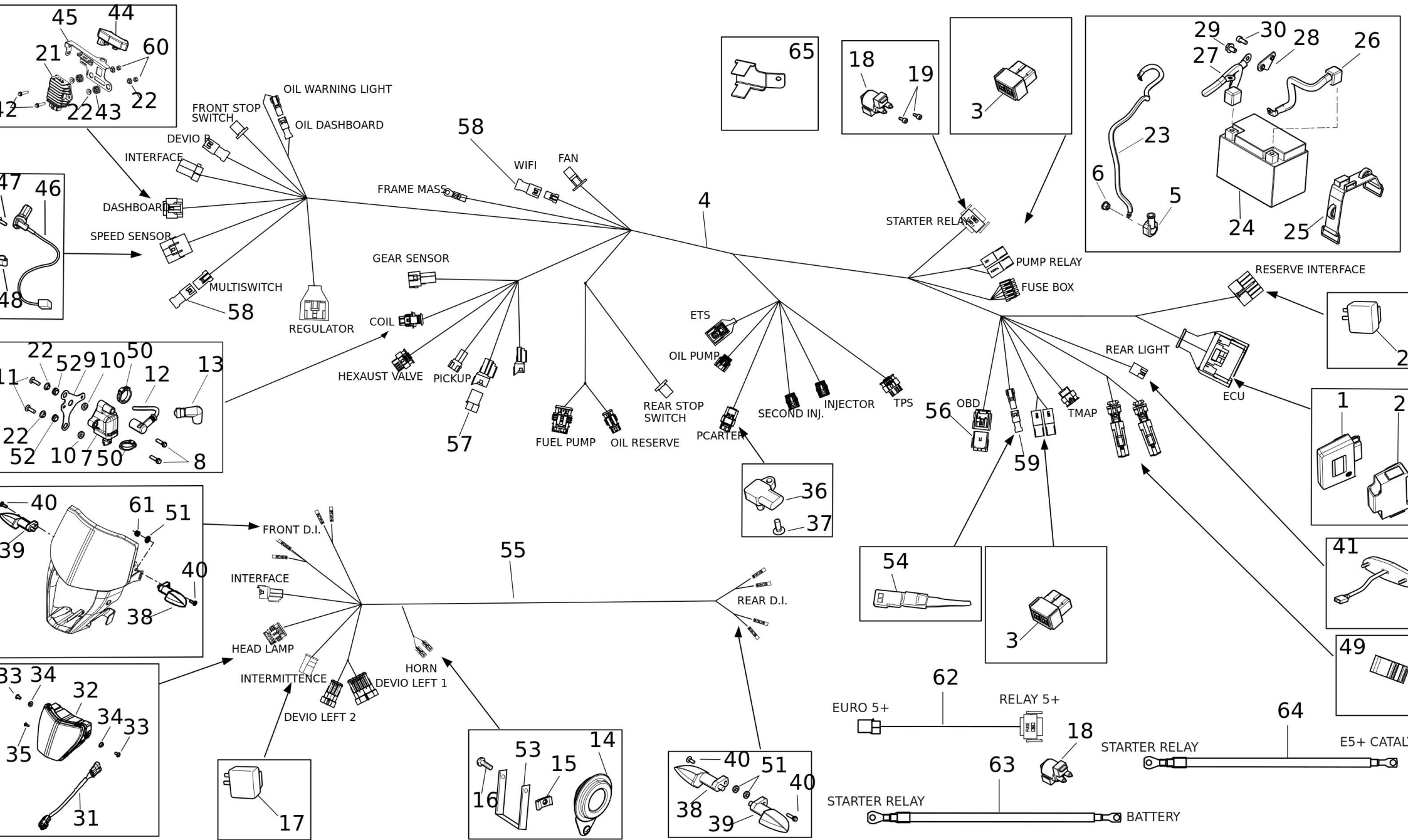


#	Code	Description	Specification	UM	Qty
1	V0234005	FRONT FENDER OFF ROAD MY24		pz	1
2	06597005	COLLAR		pz	4
	08641005	COLLAR		pz	4
3	V1155005	SCREW CH8 M6X22		pz	4
4	V1130005	WASHER M6		pz	4
5	V0272005	RADIATOR PROTECTION RIGHT 2T MY24		pz	1
6	V1151005	SCREW CH8 M6X12		pz	2
7	V1122005	SCREW M6 FLANG. CH8		pz	6
8	V0273005	RADIATOR COVER LEFT 2T MY24		pz	1
9	V0274005	RADIATOR COVER RIGHT 2T MY24		pz	1
10	V0271005	RADIATOR PROTECTION LEFT 2T MY24		pz	1
11	V2205005	OFFROAD HEADLIGHT MASK-TL MY25		pz	1
12	07479005	SCREW		pz	1
13	00340005	WASHER-SPACE		pz	2
14	V3486005	ANTIVIBRANTE MASCHERINA OFFROAD MY26		pz	1
15	V3401005	STAFFA DI POSIZIONE MASCHERINA ENDURO MY	EU	pz	1
16	09868005	CABLE GUIDE IP S M1256.4.7 TG BLACK	EU	pz	1
17	07364005	KIT FORK GUARD XEF		pz	1
18	V1654005	SCREW M5X16 CH8 FLANG		pz	2
19	V1529005	CABLE GUIDE XE300		pz	1
20	V1358005	SCREW M6 PART4		pz	6
21	02163005	PARAMANI BIANCHI 2010 C/SUPP-ASSIEME		pz	1
22	V0905005	ENGINE PROTECTION XE300		pz	1
23	V2281005	ELASTIC MASK MY25		pz	2
24	00046005	SCREW M6x20		pz	1



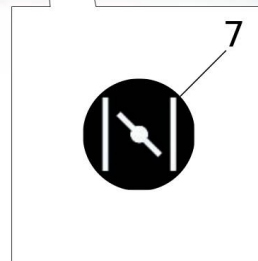
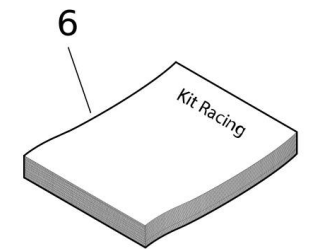
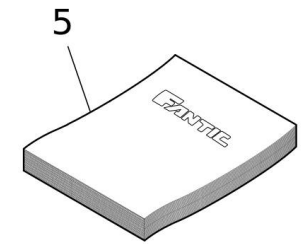
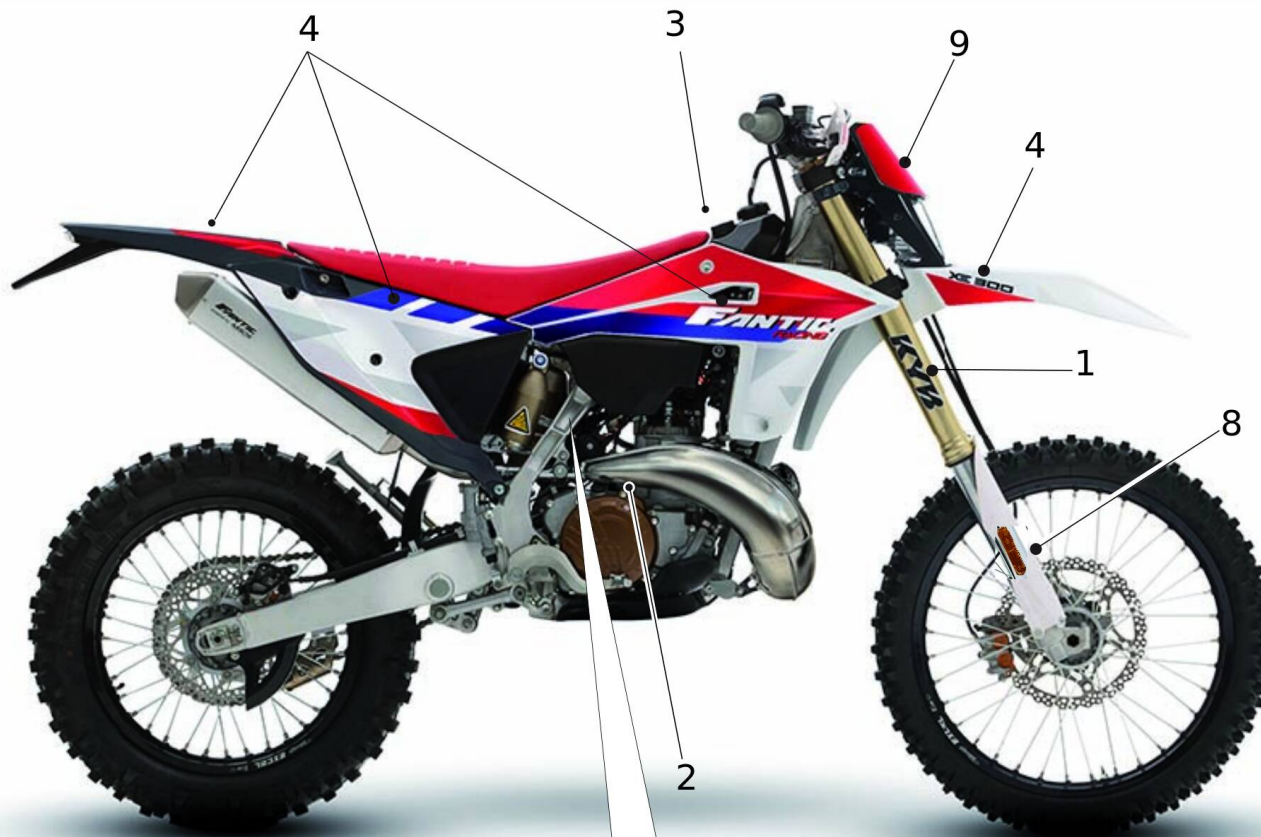
#	Code	Description	Specification	UM	Qty
1	09504005	SEAT W/ BRACKETS XX/XE MY23		pz	1
2	06561005	BOLT WITH WASHER		pz	2
3	09453005	REAR FENDER XE MY23		pz	1
4	09516005	SOCKET 6.5X9.5X15.1		pz	2
5	V1344005	SCREW M6X25 FLANG CH 8		pz	2
6	06568005	NUT REAR FENDER		pz	2
7	V1156005	SCREW CH8 M6X14		pz	2
8	V1356005	WASHER M6X15 1.25		pz	2
9	08063005	GUARD FLAP		pz	1
10	07458005	SCREW		pz	2
11	V0973005	COVER SEAT BOTTOM XE300		pz	1
12	06556005	BOLT		pz	2
13	06557005	WASHER SPRING		pz	2
14	09450005	SIDE COVER LEFT XX/XE MY23		pz	1
15	09451005	SIDE COVER RIGHT XX/XE MY23		pz	1
16	09422005	BOLT M8X18, COLLAR 19		pz	2
17	06566005	COLLAR		pz	3
18	V1150005	SCREW CH8 M6X16		pz	1
19	07458005	SCREW		pz	9
20	00070005	CLIP M6		pz	2
21	V1462005	SCREW M6X30 CH8		pz	1
22	09319005	COVER		pz	1
23	09055001	SUPPORT FOR LICENSE PLATE E23 EM1 03 - CL		pz	1
24	V1137005	BUSH		pz	2
25	06186005	BRACKET SEAT		pz	1
26	06555005	BRACKET SEAT		pz	2
27	V1352005	SCREW M6X20		pz	1
28	09442005	QUICK RELEASE RUBBER GROMMET		pz	2
29	09449005	SIDE COVER AIRBOX XX/XE MY23		pz	1
30	09454005	SUPPORT PLATE, XE MY23		pz	1
31	09533005	LICENSE PLATE HOLDER XE	EU	pz	1
32	00267005	NUT-LOCK 5 LOW	EU	pz	3
33	00056005	WASHER 5X10	EU	pz	3
34	00042005	SCREW-FLANGED 5X16	EU	pz	3
35	00334005	SCREW-FLANGED 5X12	EU	pz	4
36	V0086005	REFLECTOR RED OVAL	EU	pz	1
37	V3002005	SUPPORTO CENTRALINA XE300 MY26		pz	1
38	09854005	STICKER NEOPRENE 5X20		pz	1
39	V0975005	COVER TMAP		pz	1
40	V1593005	GOMMINO TAMPONE SCARICO		pz	1

#	Code	Description	Specification	UM	Qty
41	V1130005	WASHER M6		pz	1
42	V1344005	SCREW M6X25 FLANG CH 8		pz	1

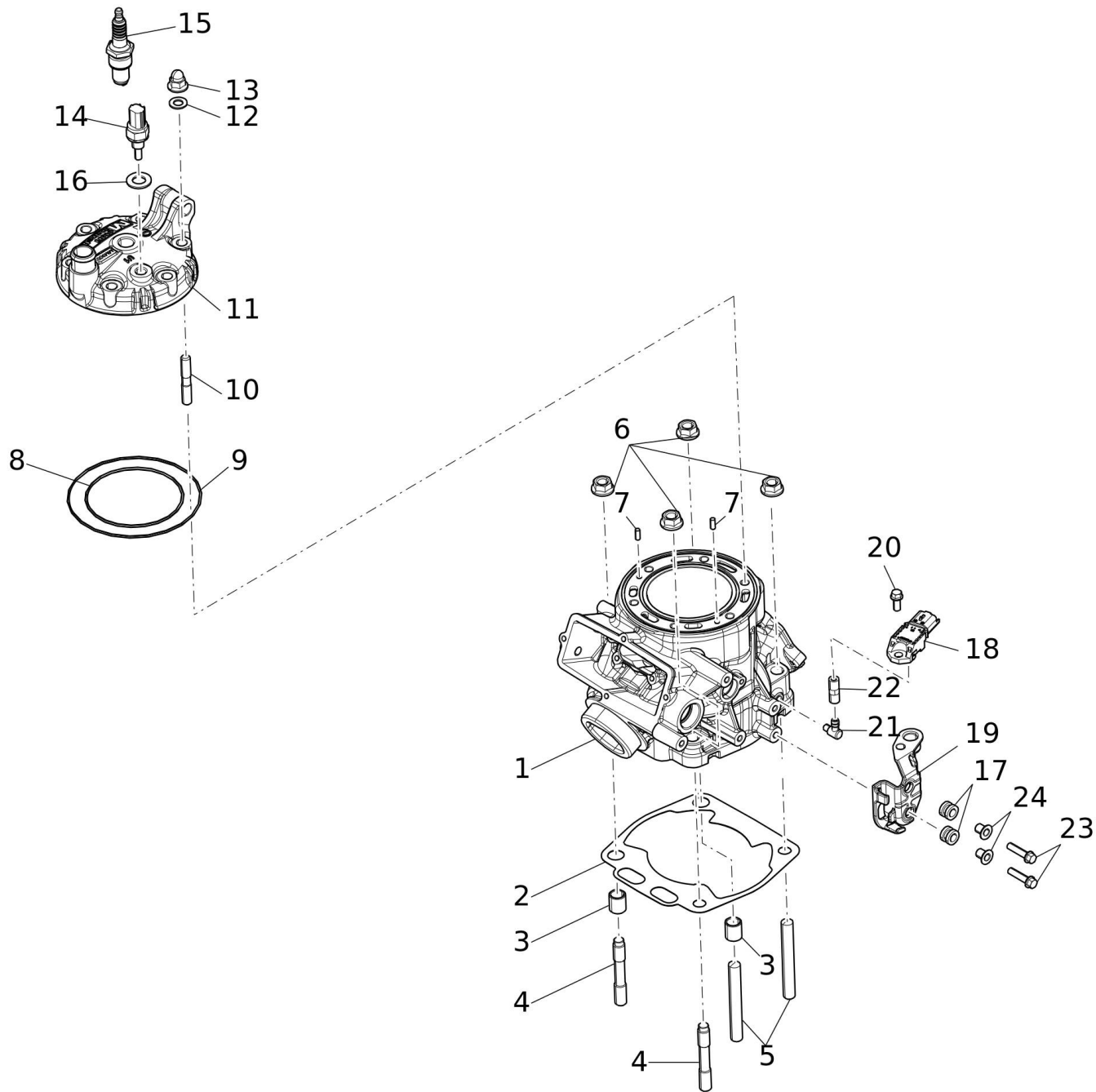


#	Code	Description	Specification	UM	Qty
1	V3564005	CENTRALINA MAPPATA OMOLOGATA XE300 MY26	EU	pz	1
1	V3565005	CENTRALINA MAPPATA RACING XE300 MY26	RW	pz	1
2	V1010005	RUBBER HOLDER ECU XE300		pz	1
3	V2694005	GOMMINO SUPPORTO 2 RELE' CHIUSO		pz	2
4	V2806005	CABLAGGIO PRINCIPALE XE300 EU MY26	EU	pz	1
4	V2992005	CABLAGGIO PRINCIPALE XE300 MY26	RW	pz	1
5	V1024005	STARTER COVER		pz	1
6	05136005	NUT		pz	1
7	V1019005	IGNITION COIL		pz	1
8	V1155005	SCREW CH8 M6X22		pz	3
9	V0285005	IGNITION COIL HOLDER		pz	1
10	V1567005	SOCKET 10 15 2.8 6.8		pz	2
11	07707005	SCREW		pz	2
	08645005	SCREW M6X20 TBEI FLANG ZINC. BLACK		pz	2
12	V1025005	IGNITION CABLE		pz	1
13	06391005	PLUG CAP ASSY		pz	1
14	V0198005	LEB ACOUSTIC SIGNAL	EU	pz	1
15	00070005	CLIP M6		pz	1
16	00582005	SCREW-SOCKET CONVEX HEAD 6X12	EU	pz	1
17	01199005	FLASHER RELAY (TURN SIGNAL RELAY) 10W		pz	1
18	07638005	RELAY		pz	2
19	08115005	SCREW		pz	2
20	07477005	XEF RESERVE INTERFACE BOARD		pz	1
21	V2755005	REGOLATORE TRIFASE XE300		pz	1
22	07694005	BUSHING		pz	6
23	09898005	CABLE		pz	1
24	V2067005	12V 3Ah LITHIUM BATTERY		pz	1
25	08405005	BATTERY BAND XEF-XXF		pz	1
26	09896005	CABLE		pz	1
27	09897005	CABLE		pz	1
28	V1114005	PLATE MASS FRAME		pz	1
29	07433005	6x10 BOLT FLANGE		pz	1
30	04859005	SCREW		pz	1
31	07473005	ADAPTER		pz	1
32	V2769005	FANALE ANT LED OFF-ROAD MY26		pz	1
33	09958005	SCREW 6X12 FLANG UNI 7380 CL10.9		pz	2
34	07694005	BUSHING		pz	2
35	03012005	SCREW-SOCKET CONVEX HEAD 4X12		pz	1
36	NC450-0018	PRESSURE SENSOR INTAKE AIR		pz	1
37	02540005	SCREW-SOCKET CONVEX HEAD 6X16		pz	1
38	09795005	DIRECTION IND. ARROW FRONT RH / REAR LH	EU	pz	2

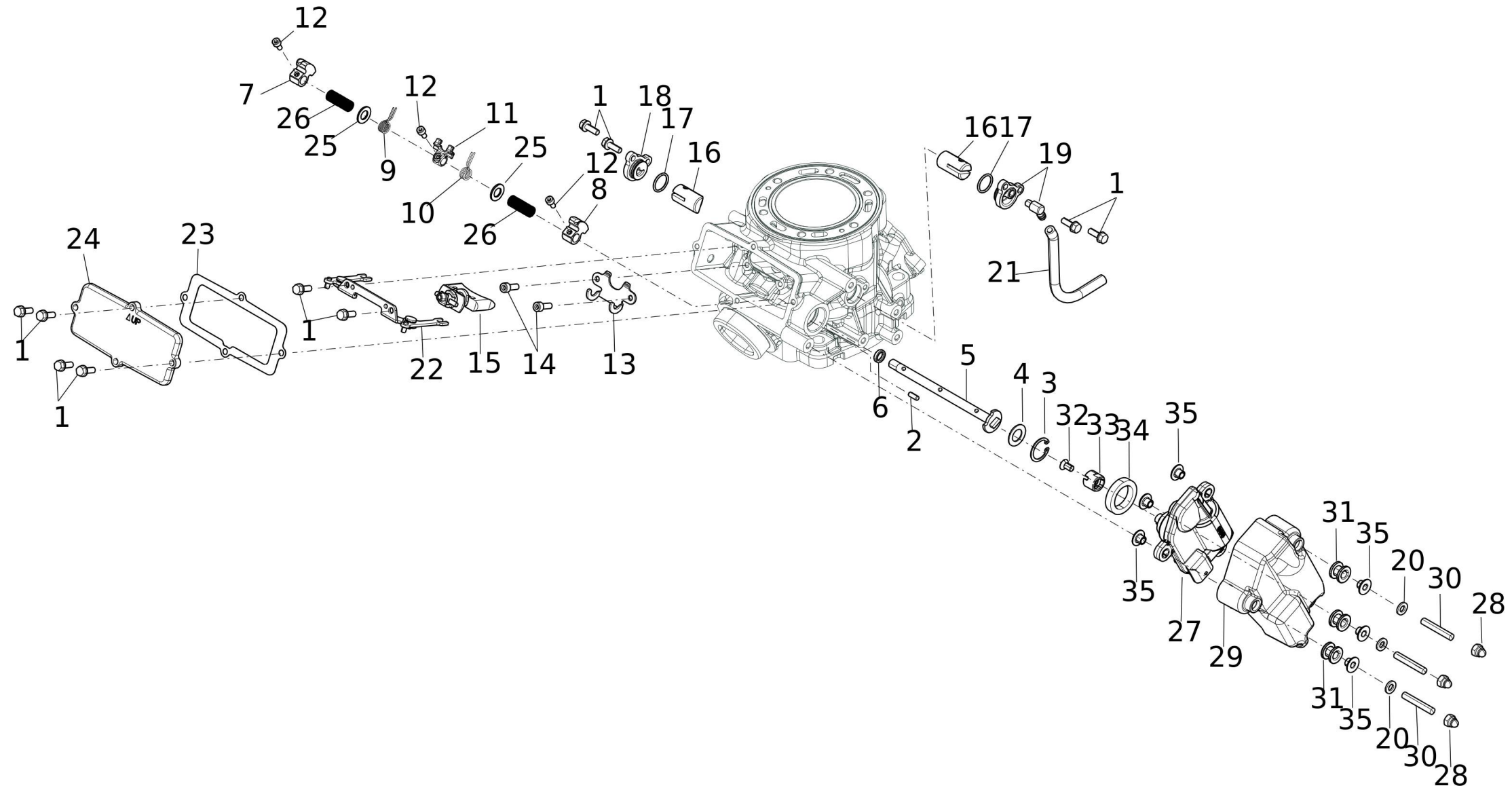
#	Code	Description	Specification	UM	Qty
39	09796005	DIRECTION IND. ARROW FRONT LH / REAR RH	EU	pz	2
40	00042005	SCREW-FLANGED 5X16	EU	pz	4
41	05113005	TAILLIGHT WITH LED LICENSE PLATE LIGHT		pz	1
42	V1344005	SCREW M6X25 FLANG CH 8		pz	2
43	V2526005	ANTI-VIBRATION RUBBER 45SH		pz	2
44	V1798005	STRUMENTO CONTAKM OFFROAD MY25		pz	1
45	V3129005	STAFFA SUPP STRUMENTO XE300 MY26		pz	1
46	08535005	SPEED SENSOR		pz	1
47	00045005	SCREW-SOCKET CONVEX HEAD 6X16		pz	1
48	04935005	CLOSURE		pz	2
49	V1394005	CARRIER DIODES		pz	1
50	V1480005	CLAMP RUBBER L88		pz	2
51	00267005	NUT-LOCK 5 LOW	EU	pz	3
52	V1566005	CABLE GUIDE 10/12/16 2 BLACK		pz	2
53	V1366005	HOLDER HORN	EU	pz	1
54	09766005	WAKE UP BRIDGE		pz	1
55	09895005	CABLE		pz	1
56	V1777005	CAP		pz	1
57	07492005	CAP		pz	1
58	V1775005	CAP		pz	2
59	V1776005	CAP		pz	1
60	06380005	NUT LENS FITTING		pz	2
61	00267005	NUT-LOCK 5 LOW		pz	1
62	V2803005	CABLAGGIO AUSILIARIO E5+	EU	pz	1
63	V2804005	CAVO POSITIVO BATTERIA E5+	EU	pz	1
64	V2805005	CAVO RELE' CATALIZZATORE E5+	EU	pz	1
65	V3420005	STAFFA RELE' DI AVVIAMENTO	EU	pz	1



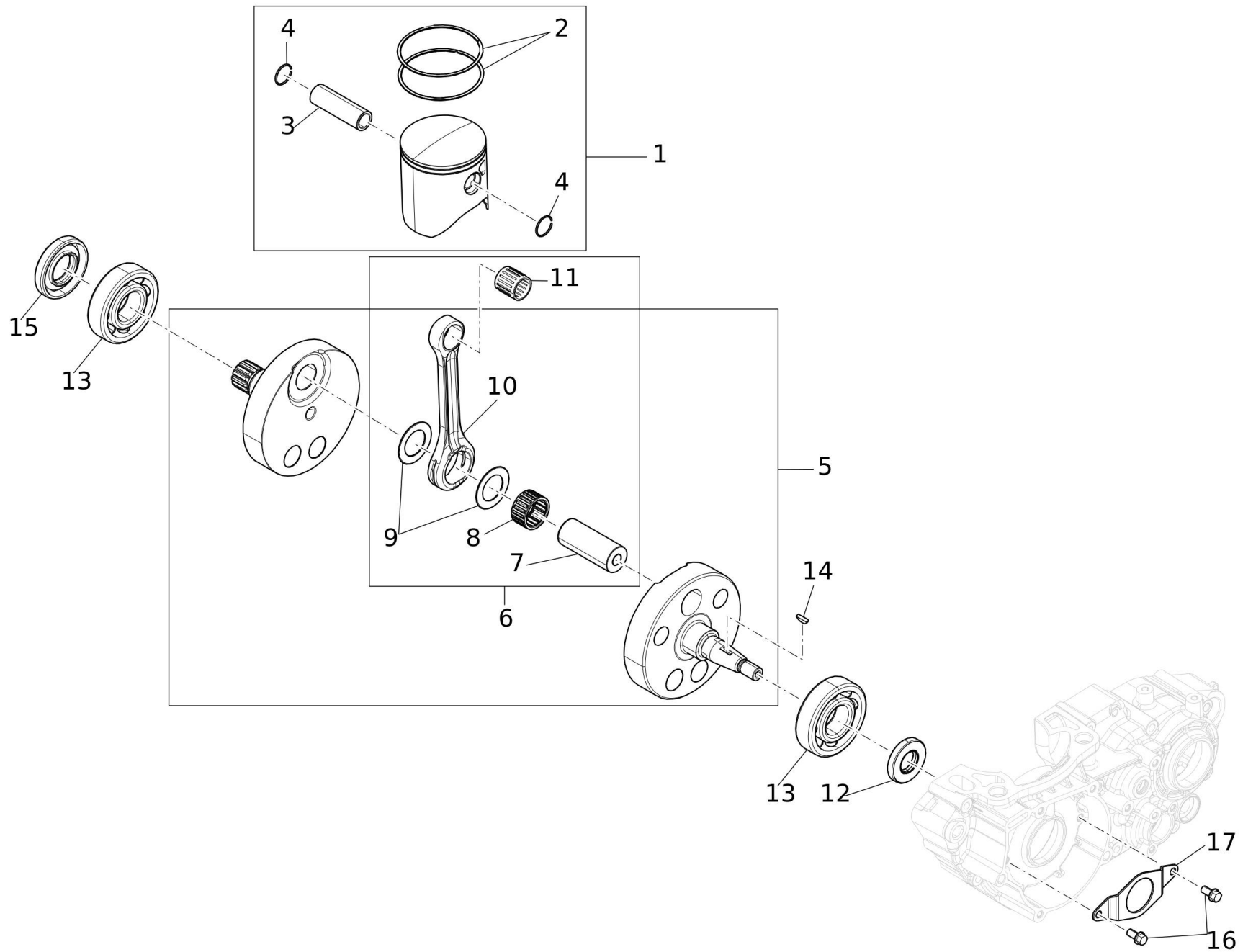
#	Code	Description	Specification	UM	Qty
1	09893005	STICKER KIT FORK KYB		pz	1
2	V2745005	ADESIVO NILS X CARTER DARK		pz	1
3	05154005	ADHESIVE		pz	1
4	V3346005	ADESIVI XE MY26 ASSIEME		pz	1
5	V3495005	MANUALE D'USO XE300 MY26	EU	pz	1
5	V3496005	MANUALE D'USO XE300 MY26 RW	RW	pz	1
6	V2787005	ISTRUZIONI RACING XE300 MY26-ASSIEME		pz	1
7	07442005	STICKER CHOKE XE12		pz	1
8	04311005	AMBER CURVED PERFORMANCE REFLECTOR		pz	1
9	V2816005	ADESIVO MASCHERINA ENDURO MY26		pz	1



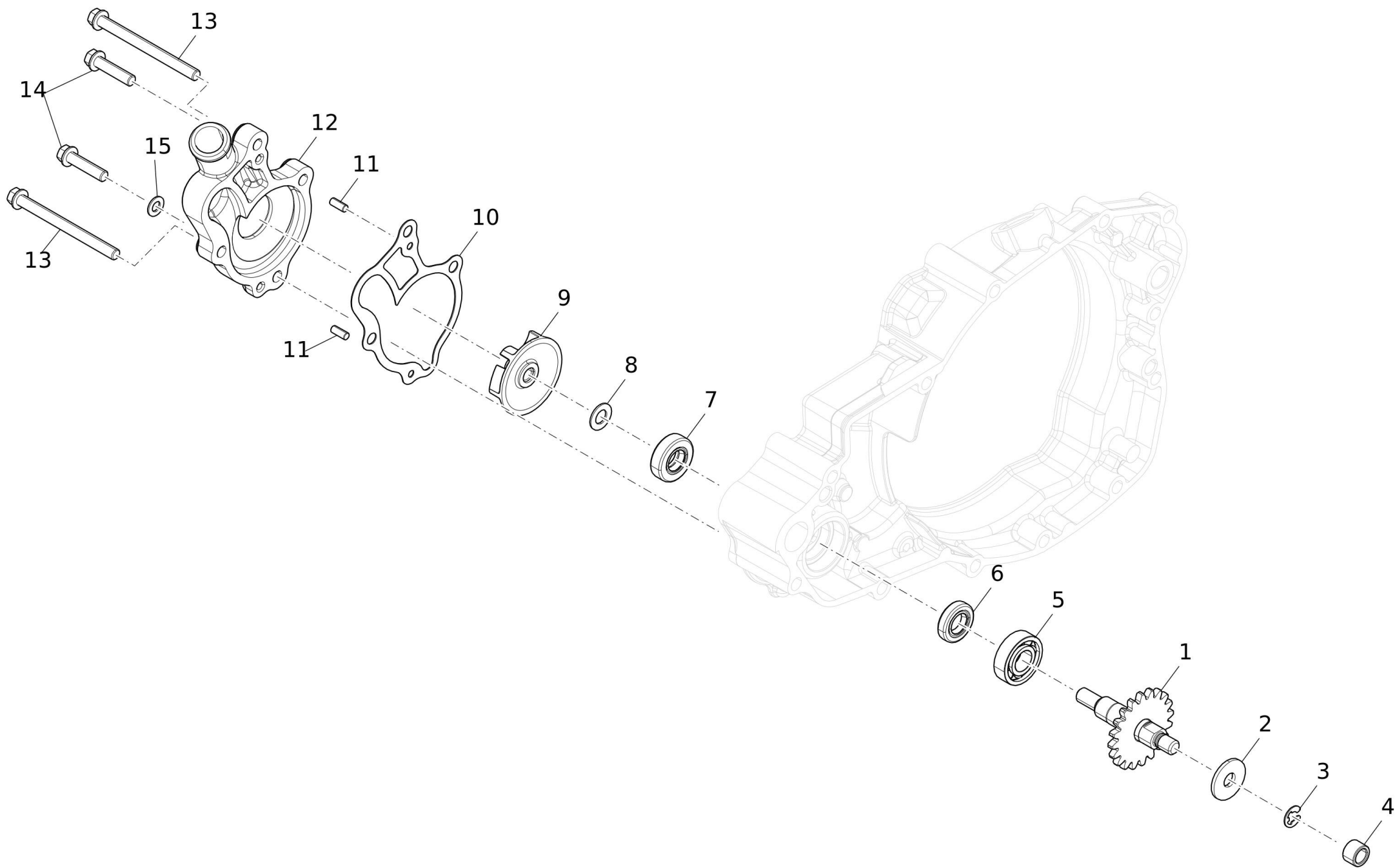
#	Code	Description	Specification	UM	Qty
1	1903631000	CYLINDER 1		pz	1
2	5308122000	GASKET CYLINDER		pz	1
3	5602680000	BUSHING		pz	2
4	4905310000	STUD BOLT		pz	2
5	4905311000	STUD BOLT		pz	2
6	4903700000	NUT		pz	4
7	5602679000	PIN		pz	2
8	5301843000	O-RING		pz	1
9	5301844000	O-RING		pz	1
10	4905309000	STUD BOLT		pz	6
11	7705259000	TESTA COMPLETA 300CC.2T		pz	1
12	5304820000	WASHER		pz	6
13	05618005	NUT CROWN		pz	6
14	WR125-0252	THERM UNIT		pz	1
15	V2779005	CANDELA NGK BR7ES		pz	1
16	4917632000	WASHER		pz	1
17	07389005	PVC FAIRLEAD KB 8-10-14-4 BLACK		pz	2
18	0706616000	CRANKCASE PRESSURE SENSOR MAP		pz	1
19	2607017000	MAP SENSOR SUPPORT		pz	1
20	4925150000	SCREW		pz	1
21	05852005	CONNECTOR SUCTION PIPE		pz	1
22	09850005	PIPE ROLLER BLACK		pz	30
23	4925149000	SCREW		pz	2
24	5101984000	SOCKET D8 14 H11		pz	2



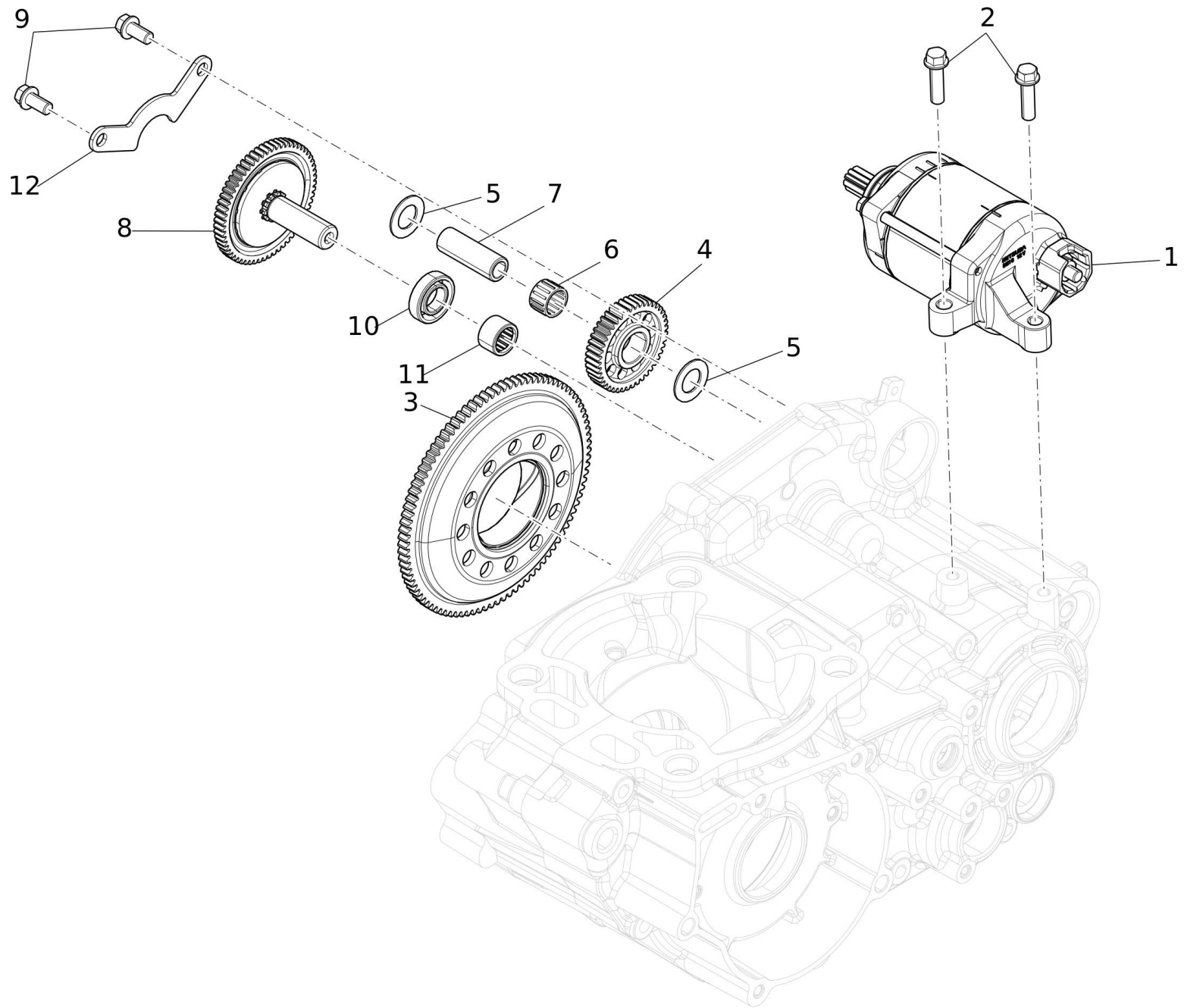
#	Code	Description	Specification	UM	Qty
1	4925171000	VITE TE M5X14 CON LOCTITE		pz	10
2	5605900000	PIN		pz	1
3	0303377000	ANELLO ELASTICO INTERNO 22X1 J		pz	1
4	4907206000	SPACER		pz	1
5	5603531000	SHAFT		pz	1
6	5305679000	OIL SEAL		pz	1
7	07799005	PULLEY 1		pz	1
8	07800005	PULLEY 2		pz	1
9	4601853000	MOLLA DI TORSIONE DX MM300		pz	1
10	4601854000	MOLLA DI TORSIONE SX MM300		pz	1
11	4300342000	LEVA CONTRASTO VALVOLA		pz	1
12	4919692000	SCREW		pz	3
13	07782005	HOLDER 3		pz	1
14	4919691000	SCREW		pz	2
15	6000255000	ASSIEME VALVOLA SCARICO GHIGLI		pz	1
16	6000013000	VALVE		pz	2
17	5301846000	O-RING		pz	2
18	6002795000	HOLDER		pz	1
19	6002797000	HOLDER		pz	1
20	00807005	WASHER 6X12		pz	3
21	09855005	PIPE		pz	3
22	2607025000	COMANDO BOOSTER COMPLETO		pz	1
23	5309777000	GASKET		pz	1
24	07809005	COVER		pz	1
25	4907189000	WASHER,PLAIN Ø8,2XØ15XT1		pz	2
26	4601849000	SPRING		pz	2
27	8800427000	VALVOLA ELETTRONICA		pz	1
28	4903710000	DADO CIECO M5 DIN 986 CL.8 ZIN		pz	3
29	2106165000	COVER VALVOLA ELETTRONICA SBS		pz	1
30	4905313000	PRIGIONIERO M5X32 UNI 5914 -		pz	3
31	2401137000	ANTIVIBRANTE		pz	3
32	4909551000	VITE TSPTI ISO 14581 M5X10 8.8		pz	1
33	4901687000	BUSSOLA TRASCINAMENTO		pz	1
34	5309779000	GUARNIZIONE PARAPOLVERE D.31.5		pz	1
35	5105654000	DISTANZIALE PER ANTIVIBRANTE		pz	6



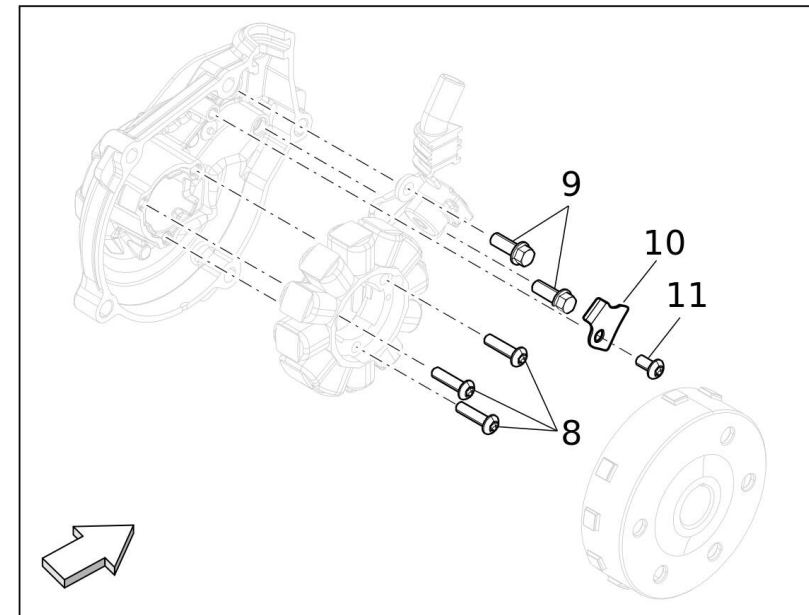
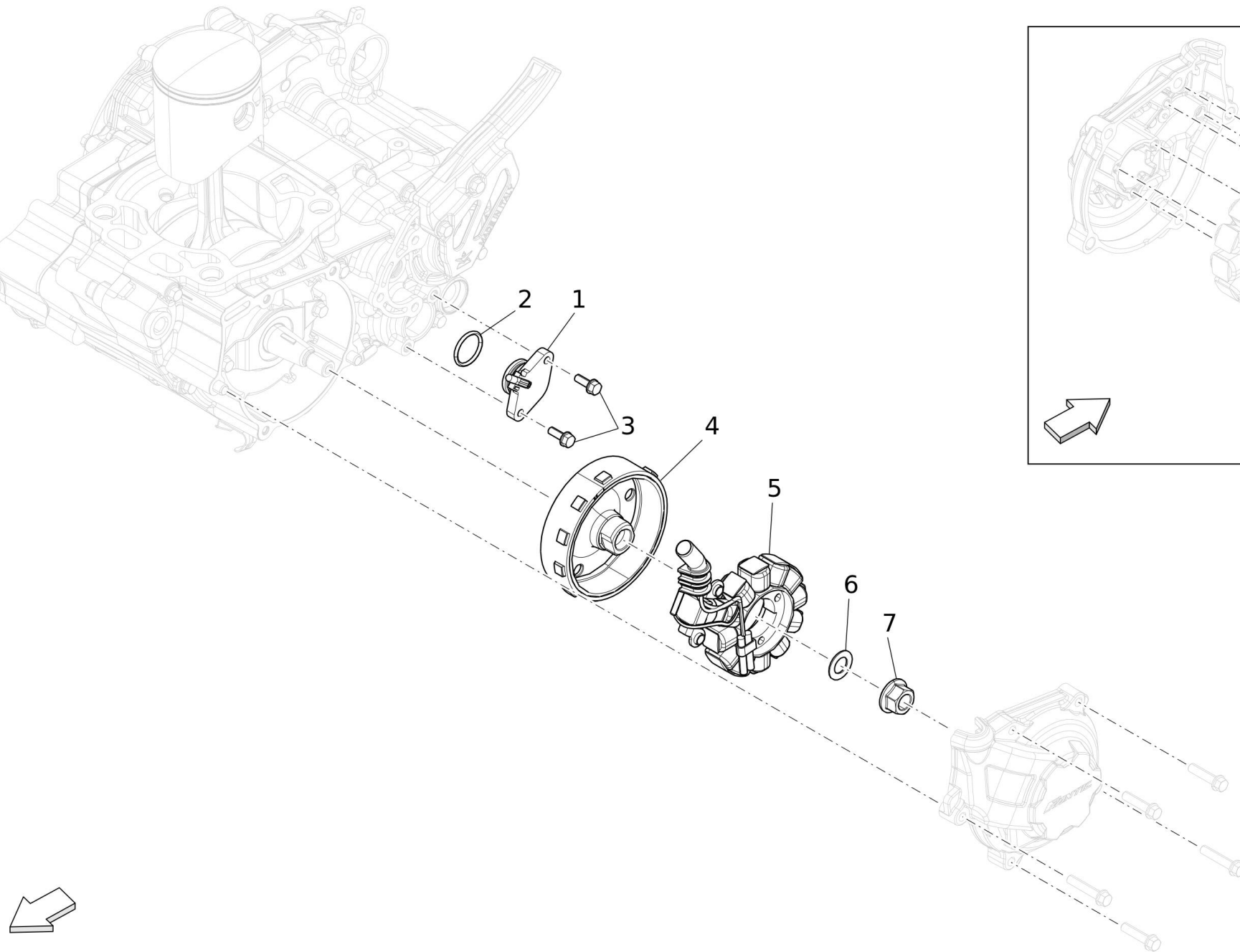
#	Code	Description	Specification	UM	Qty
1	6202001000	PISTON		pz	1
2	7143171000	PISTON RING SET		pz	2
3	5606305000	PISTON PIN		pz	1
4	0302252000	CIRCLIP		pz	2
5	3810494000	CRANKSHAFT		pz	1
6	3820337000	CONNECTING ROD ASSY		pz	2
7	5609859000	CRANK ASSY PIN		pz	1
8	5102659000	BEARING		pz	1
9	07829005	WASHER		pz	2
10	3801316000	CONNECTING ROD		pz	1
11	5103478000	BEARING		pz	1
12	05691005	OIL SEAL		pz	1
13	5102670000	BEARING		pz	2
14	4901274000	WOODRUFF KEY		pz	1
15	07831005	OIL SEAL		pz	1
16	4925146000	SCREW		pz	2
17	2607023000	PLATE		pz	1



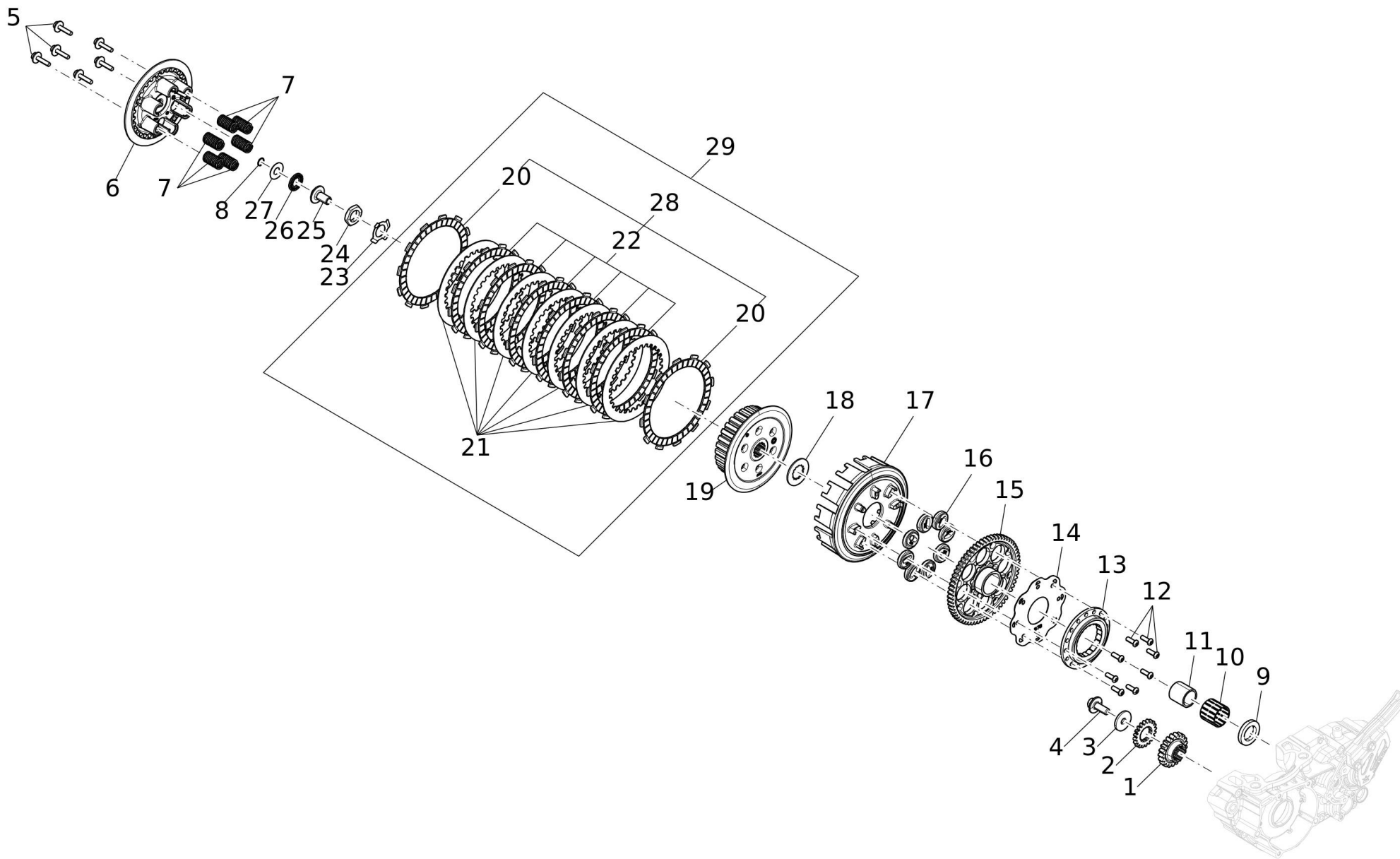
#	Code	Description	Specification	UM	Qty
1	4009572000	IMPELLER SHAFT GEAR		pz	1
2	4907188000	WASHER		pz	1
3	0303372000	CIRCLIP		pz	1
4	5102668000	BEARING		pz	1
5	5102671000	BEARING		pz	1
6	5305660000	SEAL RING D12X22X5		pz	1
	01638005	OIL SEAL SHIFT SHAFT 125 LC		pz	1
7	5305682000	OIL SEAL		pz	1
8	4907189000	WASHER,PLAIN Ø8,2XØ15XT1		pz	1
9	07833005	IMPELLER SHAFT ASSY		pz	1
10	5309774000	GASKET		pz	1
11	5602679000	PIN		pz	2
12	07839005	COVER,CYLINDER HEAD 1		pz	1
13	4925153000	SCREW		pz	2
14	4925132000	SCREW		pz	2
15	4917631000	WASHER		pz	1



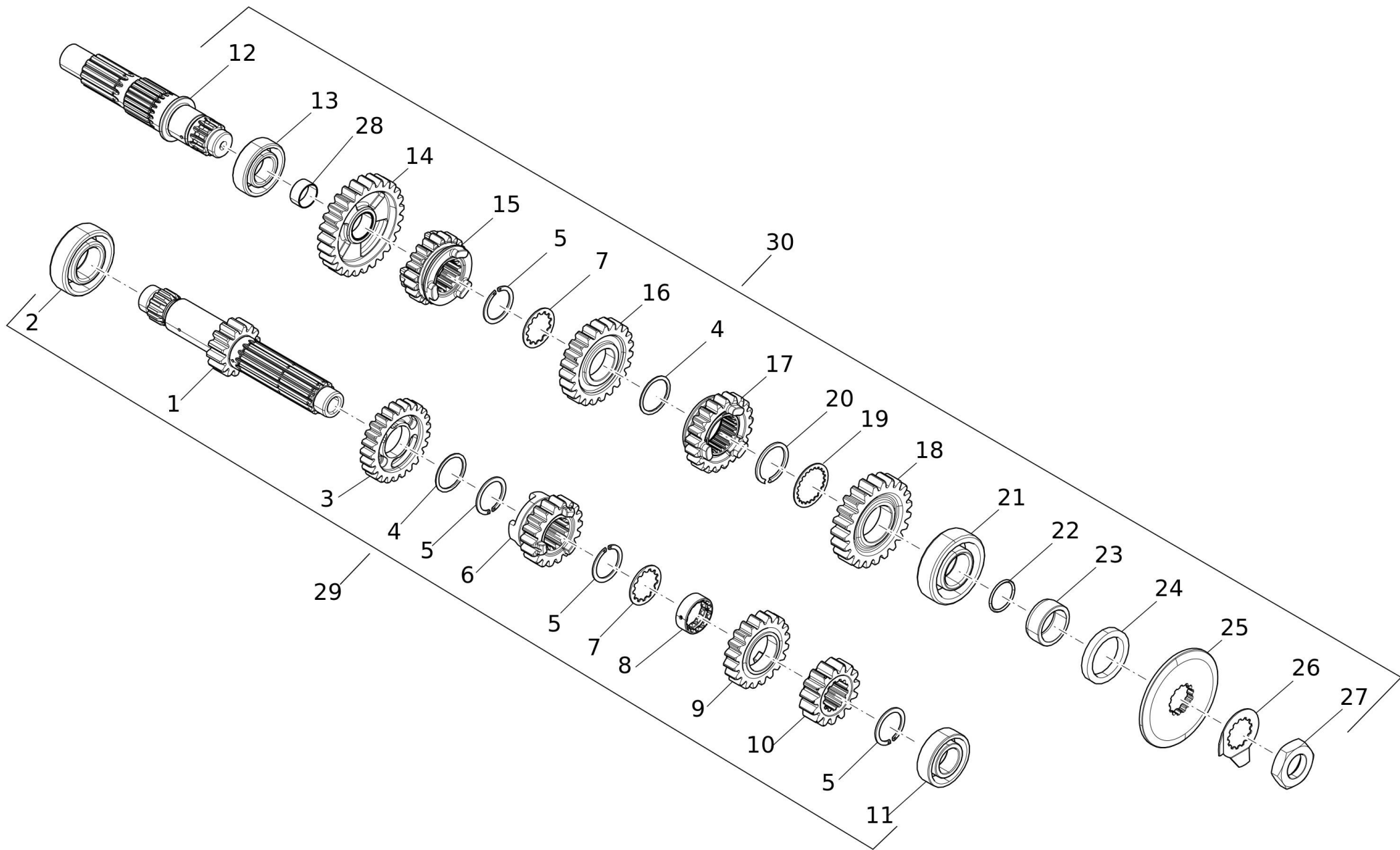
#	Code	Description	Specification	UM	Qty
1	4800187000	STARTING MOTOR		pz	1
2	4925149000	SCREW		pz	2
3	4005112000	GEAR		pz	1
4	4005109000	GEAR		pz	1
5	4907181000	SPACER		pz	2
6	5103476000	BEARING		pz	1
7	5606302000	PISTON PIN		pz	1
8	4005111000	DAMPER		pz	1
9	4925146000	SCREW		pz	2
10	5102672000	BEARING		pz	1
11	5103477000	BEARING		pz	1
12	2607012000	PLATE		pz	1



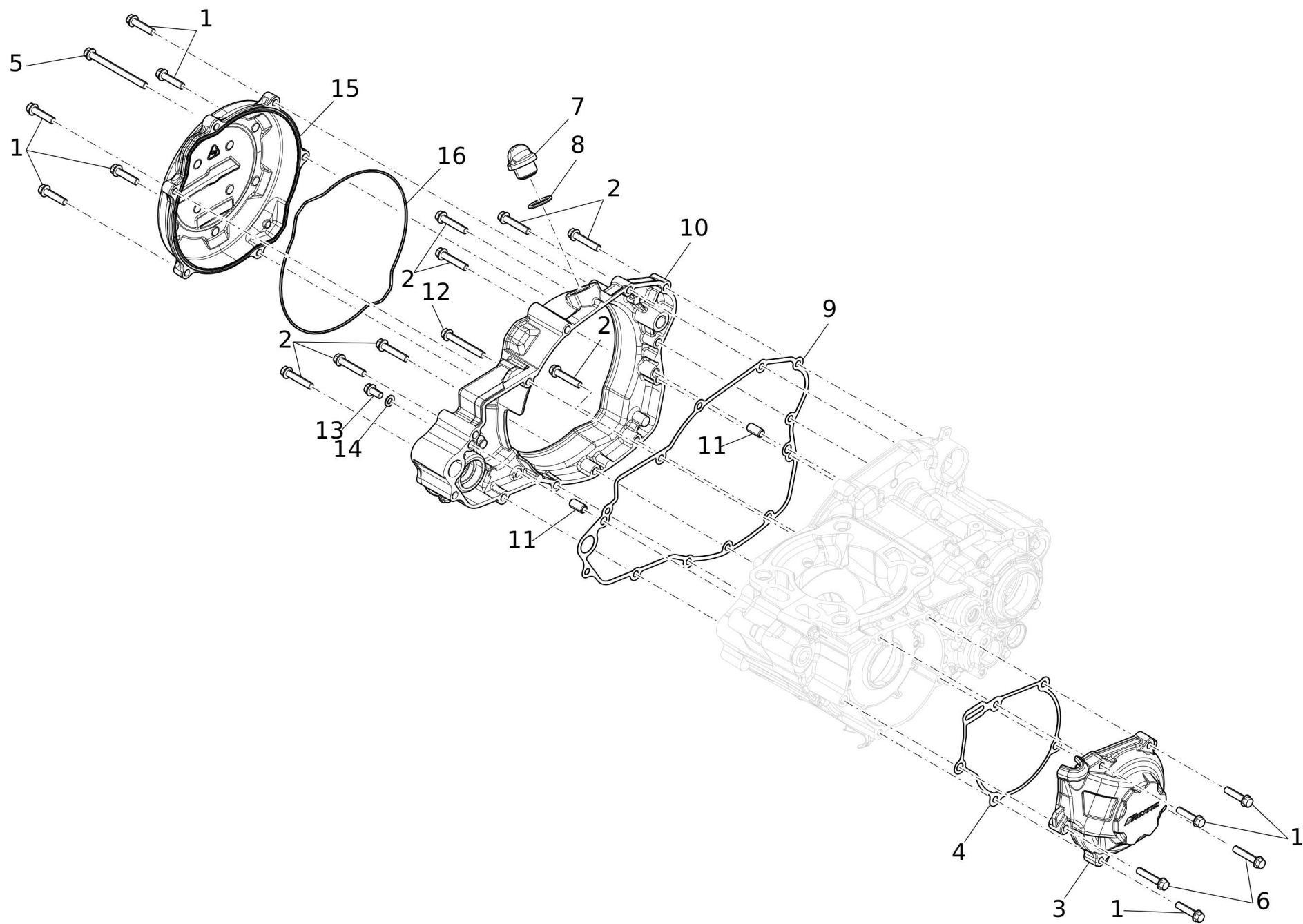
#	Code	Description	Specification	UM	Qty
1	07121005	NEUTRAL SENSOR		pz	1
2	5301848000	O-RING		pz	1
3	4925171000	VITE TE M5X14 CON LOCTITE		pz	2
4	8203019000	ROTORE MM300		pz	1
5	8205029000	STATORE 300CC.2T		pz	1
6	4907181000	SPACER		pz	1
7	4903703000	NUT		pz	1
8	4919247000	SCREW		pz	3
9	4909462000	VITE TB TORX M5X14 -6G 8.8- FF		pz	2
10	4900647000	CLAMP FERMACAVO PER VOLANO		pz	1
11	4909461000	VITE TB TORX M5X8- 6G 8.8- FF		pz	1



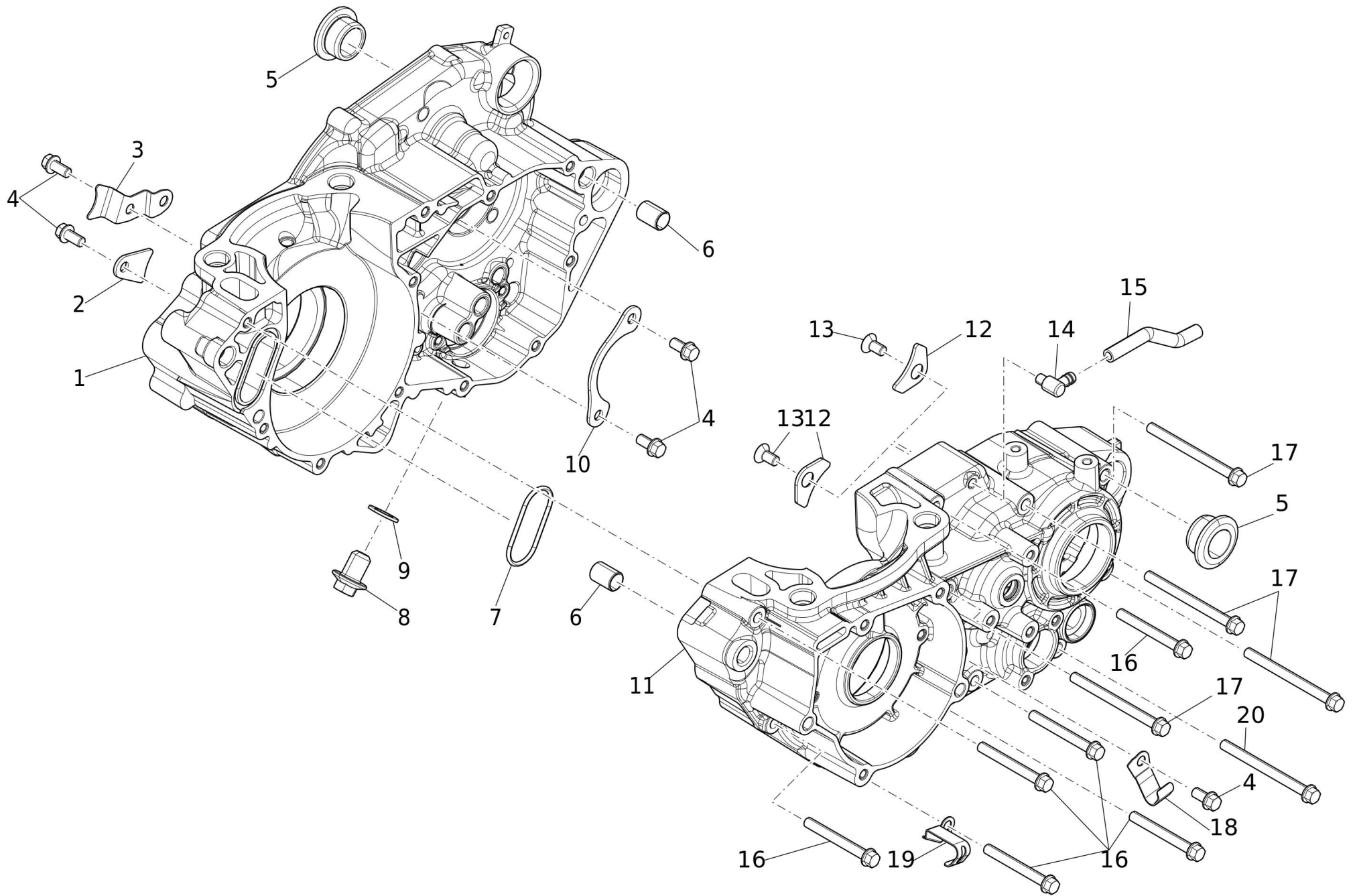
#	Code	Description	Specification	UM	Qty
1	0106319000	PRIMARY DRIVE GEAR		pz	1
2	4006621000	GEAR		pz	1
3	4907187000	WASHER		pz	1
4	4925138000	SCREW		pz	1
5	4925142000	SCREW		pz	6
6	3501394000	PLATE PRESSURE		pz	1
7	4601400000	COMPRESSION SPRING		pz	6
8	06877005	CIRCLIP		pz	1
9	5105650000	THRUST PLATE		pz	1
10	5103479000	BEARING		pz	1
11	5101983000	COLLAR		pz	1
12	4919246000	SCREW		pz	8
13	09377001	STARTER CLUTCH ASSY		pz	1
14	06860005	PLATE SIDE		pz	1
15	4004426000	PRIMARY DRIVEN GEAR		pz	1
16	06859005	PARASTRAPPI		pz	8
17	2604061000	PRIMARY DRIVEN GEAR COMP		pz	1
18	08004005	WASHER		pz	1
19	4036033000	BOSS CLUTCH		pz	1
20	07279005	PLATE FRICTION 1		pz	2
21	08001005	PLATE CLUTCH 2		pz	7
22	V1757005	PLATE FRICTION 1		pz	6
23	08008005	WASHER LOCK		pz	1
24	4903701000	NUT		pz	1
25	08010005	ROD PUSH 1		pz	1
	08358005	PLATE PRESSURE		pz	1
26	5102673000	BEARING		pz	1
27	4907186000	WASHER		pz	1
28	V2728020	XE300 CLUTCH DRIVE DISCS KIT		pz	1
29	V2729020	CLUTCH DISCS KIT XE300		pz	1



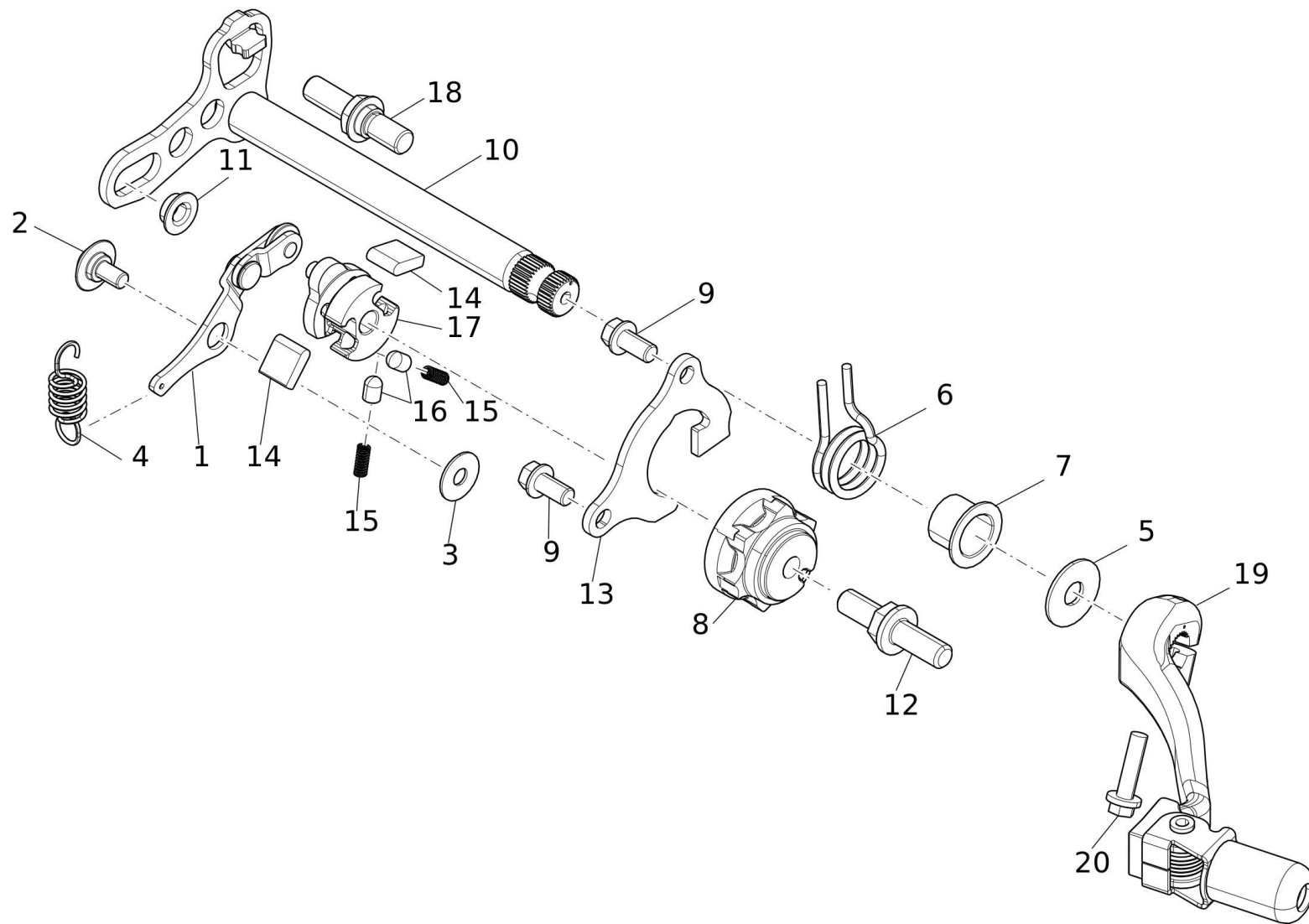
#	Code	Description	Specification	UM	Qty
1	0103399000	AXLE MAIN		pz	1
2	5102667000	BEARING		pz	1
3	4003752000	GEAR 5TH PINION		pz	1
4	4907182000	WASHER		pz	2
5	0303371000	CIRCLIP		pz	4
6	4003750000	GEAR 3RD PINION		pz	1
7	4917629000	WASHER		pz	2
8	5105648000	COLLAR		pz	1
9	4003751000	GEAR 4TH PINION		pz	1
10	4003749000	GEAR 2ND PINION		pz	1
11	5102674000	BEARING		pz	1
12	0104370000	DRIVE AXLE		pz	1
13	5102675000	BEARING		pz	1
14	4003753000	GEAR 1ST WHEEL		pz	1
15	4003757000	GEAR 5TH WHEEL		pz	1
16	4003755000	GEAR 3RD WHEEL		pz	1
17	4003756000	GEAR 4TH WHEEL		pz	1
18	4003754000	GEAR 2ND WHEEL		pz	1
19	4907151000	WASHER		pz	1
20	0303358000	CIRCLIP		pz	1
21	5102676000	BEARING		pz	1
22	5301847000	O-RING		pz	1
23	5101981000	COLLAR		pz	1
24	5305683000	OIL SEAL		pz	1
25	5808015000	SPROCKET DRIVE		pz	1
26	4916342000	WASHER LOCK		pz	1
27	4903702000	NUT		pz	1
28	5101975000	COLLAR		pz	1
29	0103400000	ALBERO PRIMARIO CAMBIO -ASSIEME		pz	1
30	0104371000	ALBERO SECONDARIO CAMBIO -ASSIEME		pz	1



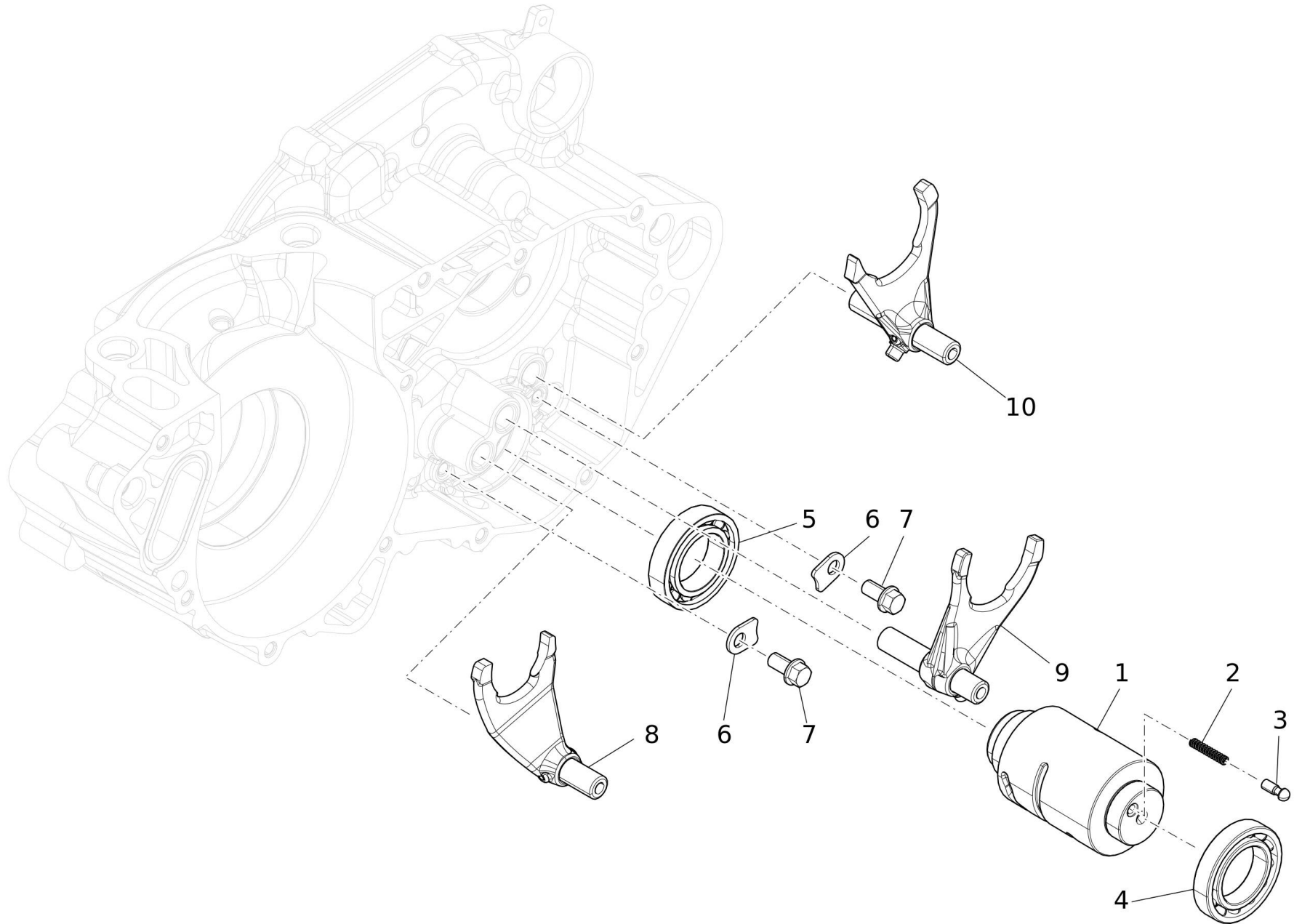
#	Code	Description	Specification	UM	Qty
1	4925151000	SCREW		pz	8
2	4925131000	SCREW		pz	8
3	2107408000	COPERCHIO STATORE 300CC		pz	1
4	5308589000	GASKET		pz	1
5	4925147000	SCREW		pz	1
6	4925152000	VITE TE FLG M6X40 CH=8		pz	2
7	2402845000	OIL PLUG		pz	2
8	01624005	O-RING		pz	1
9	5309773000	GASKET		pz	1
10	2107400000	COVER		pz	1
11	5602674000	PIN DOWEL		pz	2
12	4925136000	SCREW		pz	1
13	4925135000	SCREW		pz	1
14	4917631000	WASHER		pz	1
15	2107401000	COVER		pz	1
16	07969005	GASKET CRANKCASE COVER		pz	1



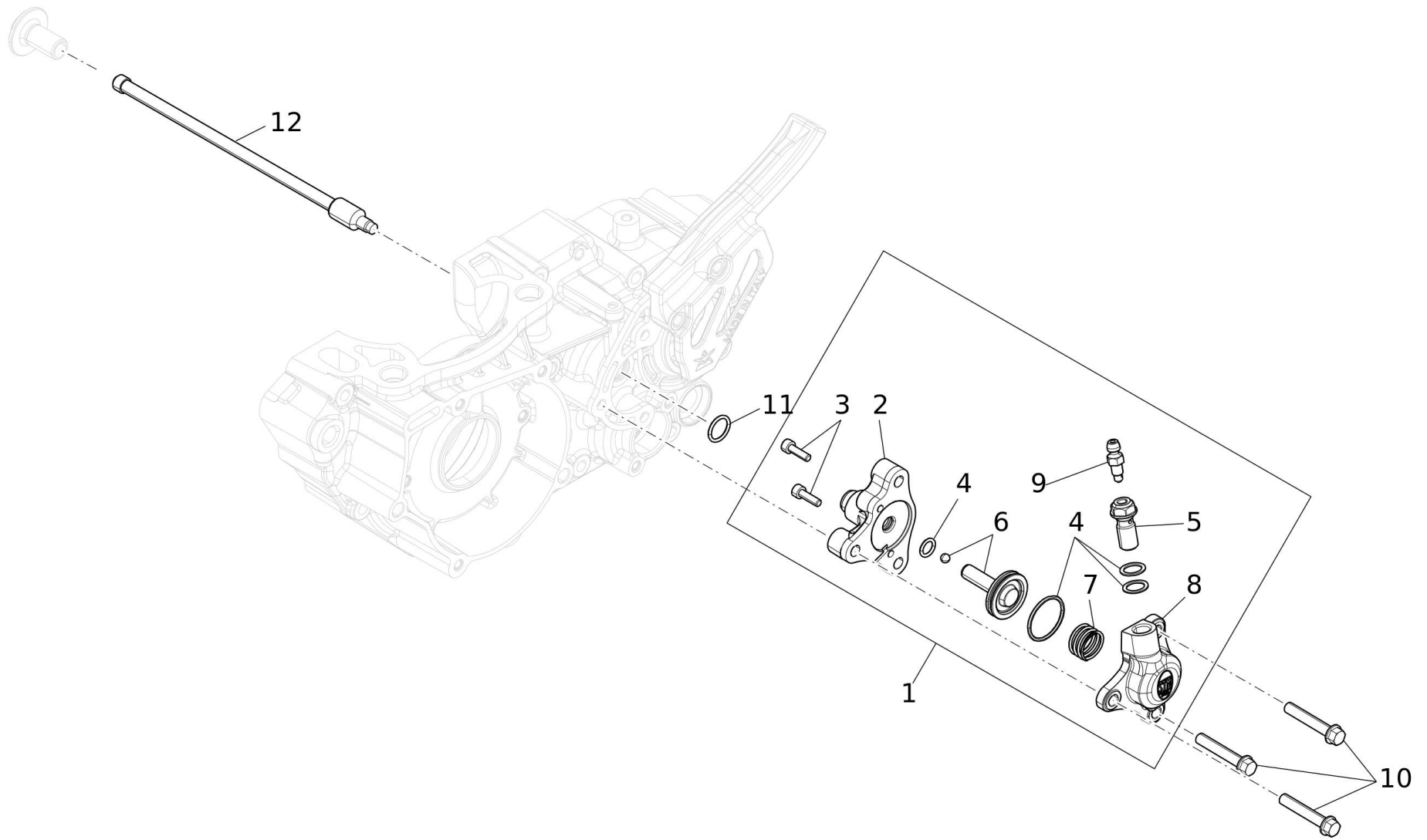
#	Code	Description	Specification	UM	Qty
1	7007019000	CRANKCASE RH		pz	1
2	05862005	HOLDER		pz	1
3	07956005	HOLDER		pz	1
4	4925146000	SCREW		pz	5
5	5101980000	COLLAR		pz	2
6	5602673000	PIN DOWEL		pz	2
7	5309778000	GASKET		pz	1
8	4925141000	SCREW		pz	1
9	4907191000	WASHER		pz	1
10	07955005	PLATE		pz	1
11	7004549000	CRANKCASE LH		pz	1
12	05932005	PLATE, BEARING COVER		pz	2
13	4919245000	SCREW		pz	2
14	05852005	CONNECTOR SUCTION PIPE		pz	1
15	09850005	PIPE ROLLER BLACK		pz	1
16	4925134000	SCREW		pz	6
17	4925147000	SCREW		pz	4
18	07960005	CABLE GLAND		pz	1
19	07959005	CABLE GLAND		pz	1
20	4925153000	SCREW		pz	1



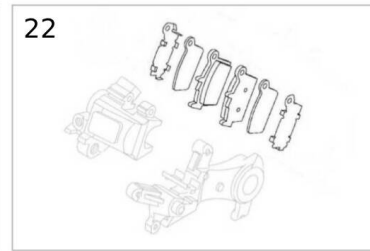
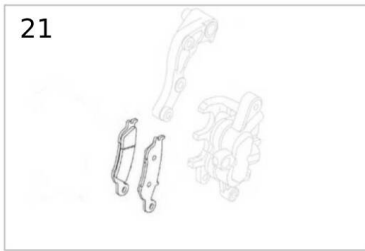
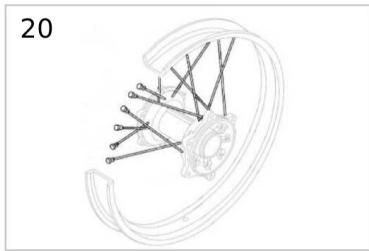
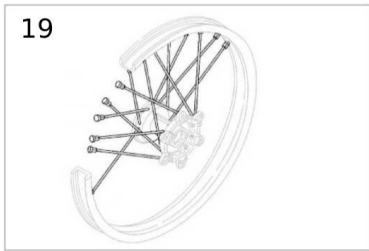
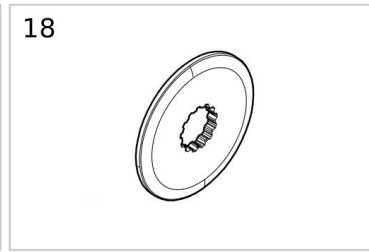
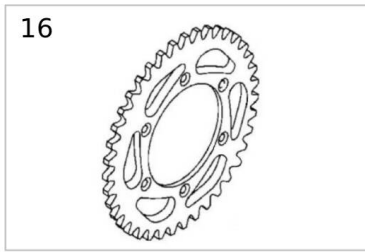
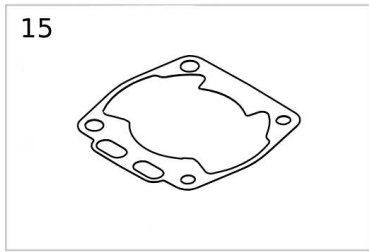
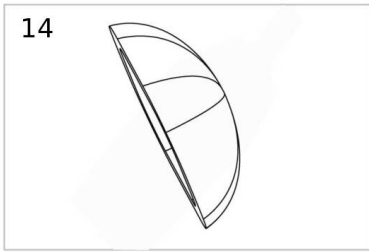
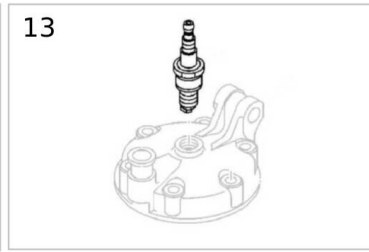
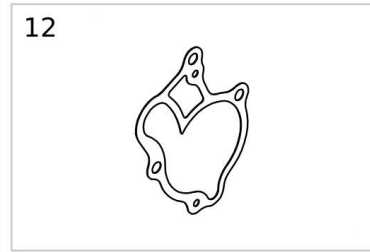
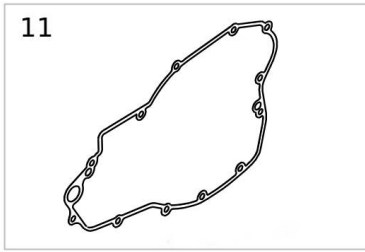
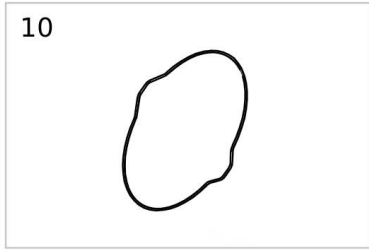
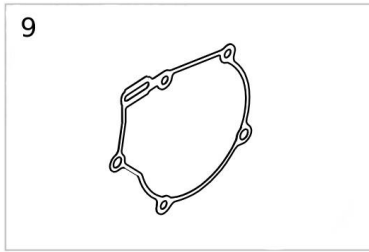
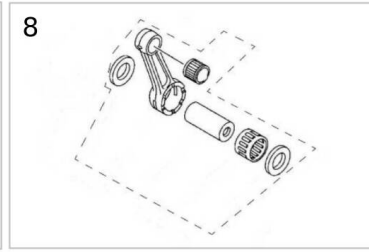
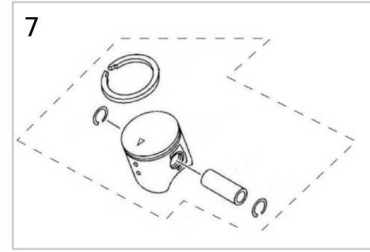
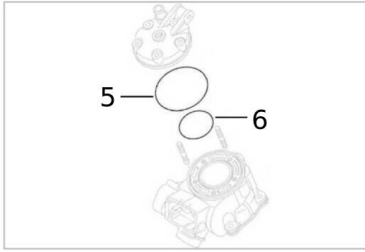
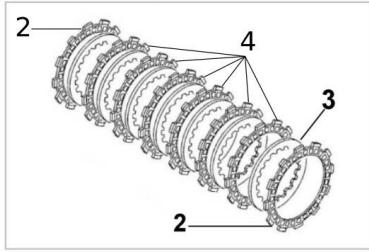
#	Code	Description	Specification	UM	Qty
1	08042005	STOPPER LEVER ASSY		pz	1
2	4925143000	SCREW		pz	1
3	4907184000	WASHER		pz	1
4	FM190424	SPRING SHIFT ROLLER		pz	1
5	5305676000	OIL SEAL		pz	1
6	08055005	SPRING		pz	1
7	5101982000	COLLAR		pz	1
8	08040005	SEGMENT		pz	1
9	4925146000	SCREW		pz	2
10	0104584000	SHIFT SHAFT ASSY		pz	1
11	5101979000	COLLAR		pz	1
12	5603522000	PAWL PIN		pz	1
13	2607014000	SHIFT GUIDE		pz	1
14	05988005	PAWL SHIFTER		pz	2
15	4601843000	COMPRESSION SPRING		pz	2
16	5603523000	PAWL PIN		pz	2
17	08052005	LEVER SHIFT 2		pz	2
18	4925144000	SCREW		pz	1
19	V0306005	SHIFT LEVER		pz	1
20	06708005	BOLT FLANGE DEEP RECESS		pz	1



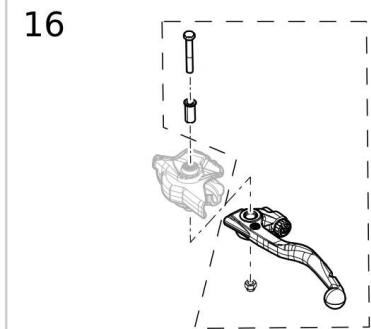
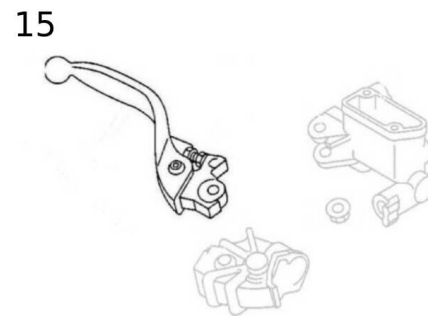
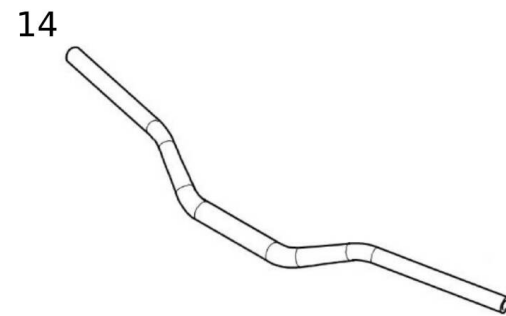
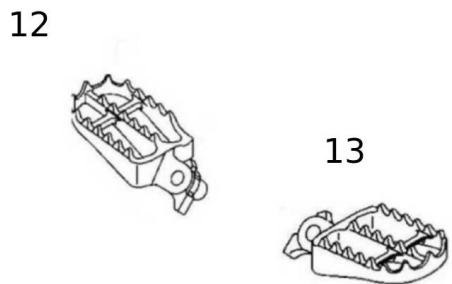
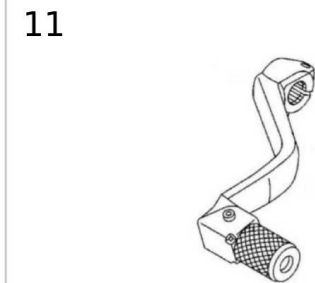
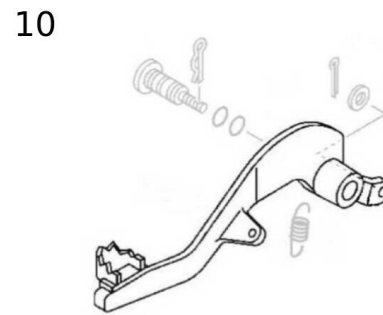
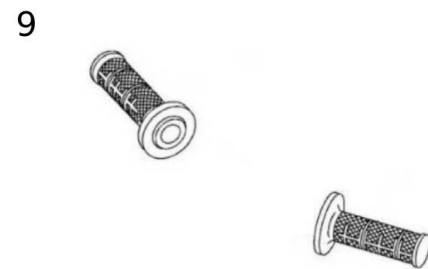
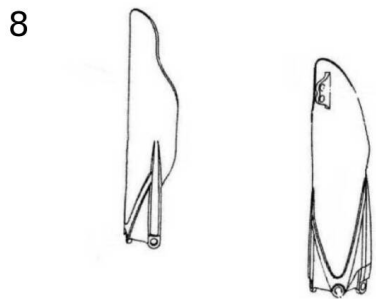
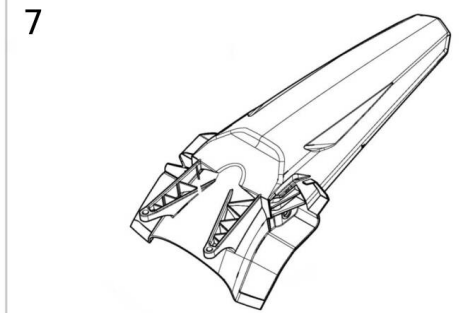
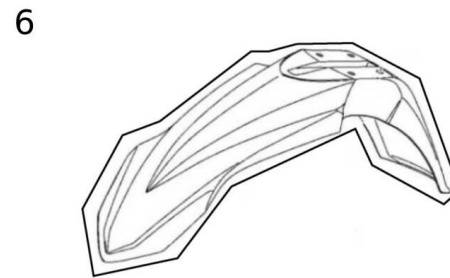
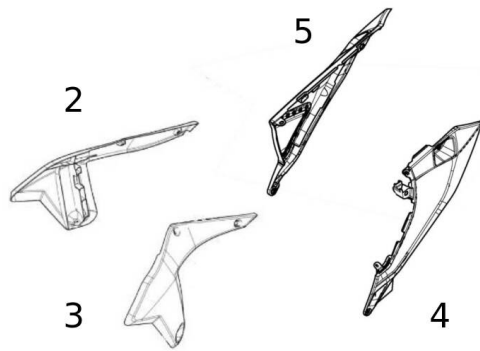
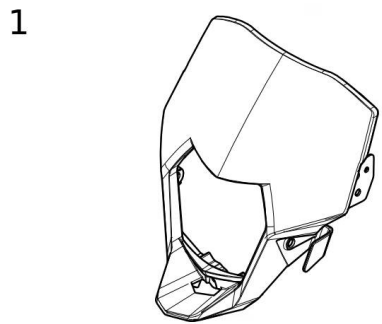
#	Code	Description	Specification	UM	Qty
1	08037005	CAM, SHIFT		pz	1
2	4601844000	COMPRESSION SPRING		pz	1
3	5603524000	NEUTRAL POINT		pz	1
4	5102678000	BEARING		pz	1
5	5102677000	BEARING		pz	1
6	2607018000	PLATE STOPPER		pz	2
7	4909463000	SCREW		pz	2
8	3300107000	SHIFT FORK 1		pz	1
9	3300108000	SHIFT FORK 2		pz	1
10	3300109000	SHIFT FORK 3		pz	1



#	Code	Description	Specification	UM	Qty
1	3500192000	CLUTCH CLAMP CPL XE300		pz	1
2	5105652000	COLLAR		pz	1
3	4925170000	SCREW		pz	2
4	7106883000	GASKET KIT		pz	1
5	4925169000	SCREW		pz	1
6	6202004000	STAMP WITH BALL		pz	1
7	4601848000	SPRING		pz	1
8	2106162000	COVER		pz	1
9	4919697000	SCREW		pz	1
10	4925148000	SCREW		pz	3
11	5301845000	O-RING		pz	1
12	08012005	ROD PUSH		pz	1



#	Code	Description	Specification	UM	Qty
1	06114005	SEAL DUST		pz	2
2	07279005	PLATE FRICTION 1		pz	2
3	08001005	PLATE CLUTCH 2		pz	7
4	V1757005	PLATE FRICTION 1		pz	6
5	5301844000	O-RING		pz	1
6	5301843000	O-RING		pz	1
7	6202001000	PISTON		pz	1
8	3820337000	CONNECTING ROD ASSY		pz	2
9	5308589000	GASKET		pz	1
10	07969005	GASKET CRANKCASE COVER		pz	1
11	5309773000	GASKET		pz	1
12	5309774000	GASKET		pz	1
13	1101559000	SPARK PLUG	OEM	pz	1
	00725005	PLUG SPARK		pz	1
14	09500005	AIR FILTER OFF-ROAD 2T MY23		pz	1
15	5308122000	GASKET CYLINDER		pz	1
16	06242005	REAR SPROCKET 48T ALU	ACCESSORY	pz	1
16	06243005	REAR SPROCKET 47T ALU	ACCESSORY	pz	1
16	06247005	REAR SPROCKET 52T ALU	ACCESSORY	pz	1
16	V0203005	REAR SPROCKET 49T ALU	ACCESSORY	pz	1
16	V0204005	CORONA ERGAL NATURALE 50D	STD	pz	1
16	V0205005	REAR SPROCKET 51T ALU	ACCESSORY	pz	1
17	V0226005	CATENA ENDURO 520 CON GIUNTO - 114 MAGLIE		pz	1
18	5808015000	SPROCKET DRIVE		pz	1
19	06201005	SPOKE SET FRONT		pz	1
20	06236005	SET OF REAR SPOKE 19		pz	1
21	08739005	FRONT BRAKE PADS		pz	1
22	08076005	BRAKE PAD KIT 2		pz	1
23	09225020	MINUTERIE OFF-ROAD-ASSIEME		pz	2



#	Code	Description	Specification	UM	Qty
1	V2205005	OFFROAD HEADLIGHT MASK-TL MY25		pz	1
2	V0274005	RADIATOR COVER RIGHT 2T MY24		pz	1
3	V0273005	RADIATOR COVER LEFT 2T MY24		pz	1
4	09450005	SIDE COVER LEFT XX/XE MY23		pz	1
5	09451005	SIDE COVER RIGHT XX/XE MY23		pz	1
6	V0234005	FRONT FENDER OFF ROAD MY24		pz	1
7	09453005	REAR FENDER XE MY23		pz	1
8	07364005	KIT FORK GUARD XEF		pz	1
9	V0199005	PAIR OF LOCK-ON KNOB OFF-ROAD WITH DOUBLE CABLE		pz	1
10	V0597005	BRAKE PEDAL, XE300		pz	1
11	V0306005	SHIFT LEVER		pz	1
12	06339005	FOOTREST 2		pz	1
13	06338005	FOOTREST 1		pz	1
14	FT230042	HANDLEBAR REIKON BLACK 9101		pz	1
15	08740005	CLUTCH LEVER		pz	1
16	02353005	LEVER CLUTCH PUMP		pz	1