



A Series High-lift Order Picker

with capacities of 1,200kg



HANGCHA trucks conform to the European Safety Requirements.

2020 VERSION 2/COPYRIGHT 2020/1.0

HANGCHA GROUP CO., LTD. reserves the right to make any changes without notice concerning colors, equipment, or specifications detailed in this brochure, or to discontinue individual models. The colors of trucks, delivered may differ slightly from those in brochures.

The World of Hangcha
SINCE 1956





A Series High-lift Order Picker

The A Series high-lift order picker, a high-end warehouse equipment, provides a comprehensive safety protection system, excellent ergonomics design and advanced control system. Being reliable and stable, comfortable and safe, and along with excellent performance, it is a perfect option for cargo picking in stereoscopic warehouse that is 5m to 10m high.

HIGH PERFORMANCE TO ORDER

Comfort

- / Standard equipped with height sensors, and buffer function in mast switching, lifting and lowering, it provides more comfort to the operators.
- / The standard LORD steering gear with torque feedback system improves operation safety and comfort.
- / The lifting and lowering speed of the operating platform and fork can be adjusted steplessly, to achieve accurate control.
- / The standard equipped CURTIS multi-function instrument has many functions such as mode selection, wheel position display, etc., and can clearly show various information of the vehicle.





Reliability

- / The mast is made of high-strength steel plate, which is sturdy and reliable.
- / All wires and cables are reliably protected, greatly improving the reliability of the electrical system.
- / Important components adopted such as switches, connectors, instruments, etc. are foreign high-quality products, with excellent performance and reliable quality.

Safety

- / The FREE acceleration lever with an inductive switch is equipped as standard to prevent accidental contacts during operation.
- / Equipped with a tilt switch sensor as standard, operation and control safety is improved.
- / The left and right guard rails are equipped with safety detection switches.
- / With 10 times safety factor, the mast chain is also equipped with a chain safety switch.
- / The driving speed is related to the lifting height. The higher the lifting height, the lower the driving speed and the smaller the acceleration.
- / The function of proportional speed reduction in corners is equipped as standard to ensure smooth and safe turning of the vehicle.
- / With emergency lowering function, it can be operated separately on the operating platform and the rear of the vehicle.

High Performance

- / The maximum driving speed at full load is up to 10km/h, which greatly improves the work efficiency.
- / The Germany ZF reduction gearbox, Schabmueller AC drive and steering motor, contribute to a better performance and greater stability.
- / AC hydraulic lifting system offers high efficiency and free maintenance.
- / The advanced CURTIS AC control system provides precise, smooth and efficient control.
- / The CANBUS structure engages faster and more reliable communication.

Maintenance

- / The AC motor has no carbon brush and is maintenance-free, which greatly saves the cost of use.
- / The integrated power display, timing and fault self-diagnosis meter is convenient for maintenance.
- / The rear hood can be easily disassembled for easy maintenance of hydraulic unit, electronic control, motor and other parts.

Standard Specification

- / ZF drive unit assembly
- / LORD steering gear
- / CURTIS AC motor controller
- / Free acceleration lever (with inductive switch)
- / Automatic speed reduction in corners
- / CURTIS multi-function instrument
- / Chain switch
- / Guard rail switch
- / Reflective mirror
- / LED top light
- / LED sidelight
- / Emergency power off switch
- / Police light
- / Height sensor
- / Safety pedal
- / Tilt switch
- / Left and right guard rail
- / Folder
- / Back cushion
- / Cup holder
- / Electrostatic belt
- / Electromagnetic brake
- / Supplementary lift (only for CJD12-AC1-H)
- / Full-length safety belt + single-hook shock cord (only for CJD12-AC1-HK)
- / Mounted fork (only for CJD12-AC1-H)
- / Welded fork (only for CJD12-AC1-HK)

Options

- / Side roller
- / Blue light
- / Head Lamp
- / Masts available in various heights
- / Battery trolley



Supplementary lift on operator platform. Pallet can be raised to most convenient working level for picking



Rail guidance rollers (Opt.) can be fitted to the truck for VNA working



Control and display panel integrated are perfectly in the drivers field of view



Standard LCD display informs the driver about all necessary informations



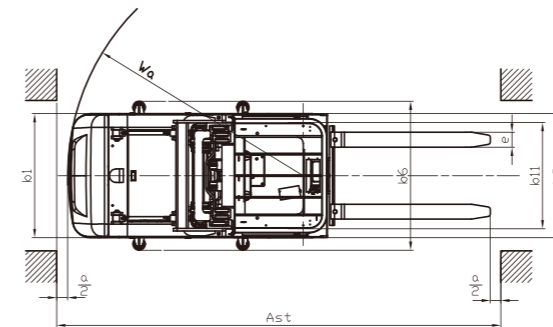
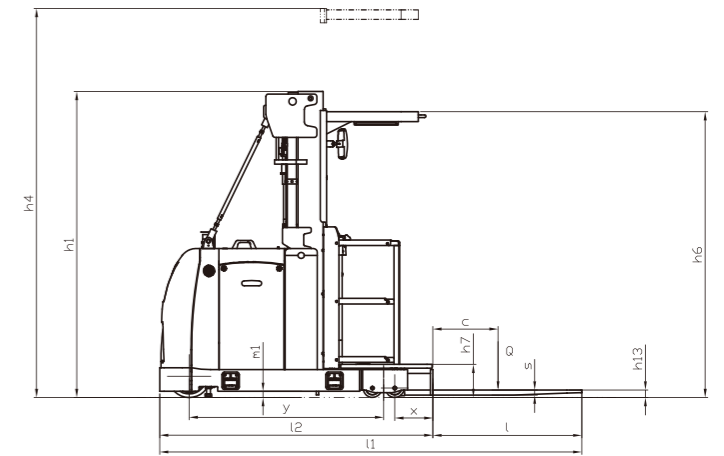
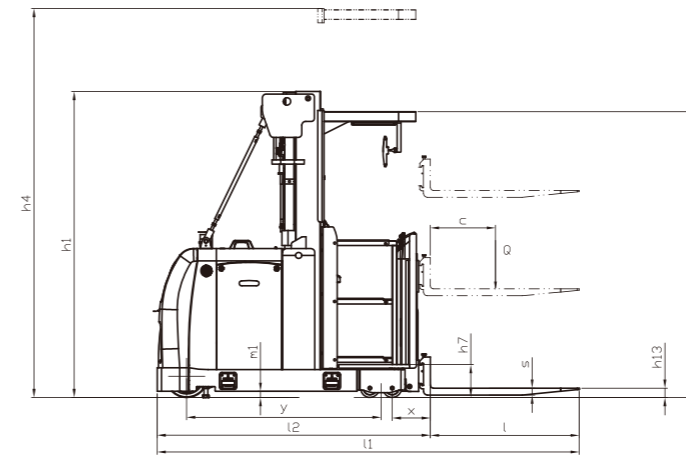
Simultaneous driving/lifting/lowering, simple and ergonomic controls allow precise operation reducing driver fatigue and increasing throughput

A Series High-lift Order Picker Specification

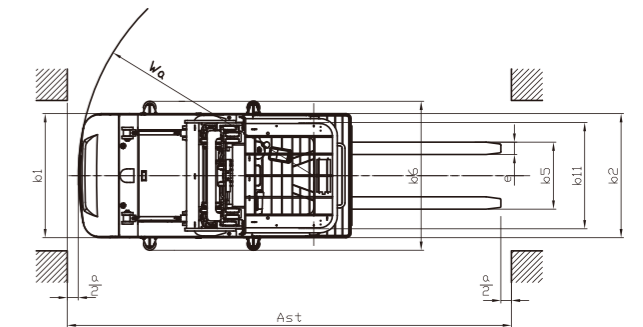
		HANGCHA GROUP CO.,LTD.			
		CJD12-AC1-H	CJD12-AC1-HK		
Distinguishing mark	1.1	Manufacturer			
	1.2	Model	CJD12-AC1-H	CJD12-AC1-HK	
	1.3	Drive:electric (battery or mains),diesel,petrol,fuel gas	Electric	Electric	
	1.4	Operator type:hand,pedestrian,standing,seated,order-picker	Order picker	Order picker	
	1.5	Rated capacity/rated load	Q(t)	1.2	1.2
	1.6	Load centre distance	c(mm)	400	400
	1.8	Load distance, centre of drive axle to fork	x(mm)	307	307
	1.9	Wheelbase	y(mm)	1566	1566
	Weight	2.1	Service weight	kg	3960
3.1		Tyres: solid rubber, superelastic, pneumatic, polyurethane		PU	PU
Tyres, chassis	3.2	Tyre size, front		Ø343×140	Ø343×140
	3.3	Tyre size, rear		Ø150×100	Ø150×100
	3.5	Wheels, number front/rear (* = driven wheels)		1x/4	1x/4
	3.7	Tread,rear	b11(mm)	856	856
	4.2	Height,mast lowered	h1(mm)	2465	2465
Dimensions	4.4	Lift	h3(mm)	5000	5000
	4.5	Height, mast extended	h4(mm)	7465	7465
	4.7	Height of overhead guard (cabin)	h6(mm)	2300	2300
	4.8	Standing height	h7(mm)	266	266
	4.11	Supplementary lift	h9(mm)	800	/
	4.15	Height,lowered	h13(mm)	75	75
	4.19	Overall length	l1(mm)	3400	3400
	4.20	Length to face of forks	l2(mm)	2200	2200
	4.21	Overall width	b1/b2(mm)	1000/1000	1000/1000
	4.22	Fork dimensions DIN ISO 2331	s/e/l(mm)	55/122/1200	55/100/1200
	4.25	Distance between fork-arms	b5(mm)	/	540
	4.27	Width over guide rollers	b6(mm)	1200	1200
	4.31	Ground clearance,laden,below mast	m1(mm)	50	50
	4.34.1	Aisle width for pallets 1000 × 1200 crossways	Ast(mm)	3535	3535
	4.34.2	Aisle width for pallets 800 × 1200 lengthways	Ast(mm)	3656	3656
	4.35	Turning radius	Wa(mm)	1812	1812
	Performance Data	5.1	Travel speed,laden/unladen	km/h	10/10
5.2		Lift speed,laden/unladen	m/s	0.371/0.411	0.371/0.411
5.3		Lowering speed,lade/unladen	m/s	0.486/0.448	0.486/0.448
5.7		Gradeability,laden/unladen	%	10/10	10/10
5.10		Service brake		Electromagnetic	Electromagnetic
Electric engine	6.1	Drive motor rating S2 60 min	kw	6.4	6.4
	6.2	Lift motor rating at S3 15 %	kw	12.8	12.8
	6.4	Battery voltage/nominal capacity K5	V/Ah	48/620	48/620
	6.5	Battery weight	kg	950	950
Addition data	10.7	Sound pressure level at the driver's seat	dB(A)	69	69

Mast Specification

Type	Model	Lift h3 (mm)	Lowered overall height h1 (mm)	Free lift h2 (mm)	Extended mast height h4 (mm)	Overall lift height h3+h9 (mm)	Order picking height h1s (mm)
Triplex DZ	N4500	4500	2315	15	6800	5300	6360
	N4750	4750	2385	85	7050	5500	6610
	N5000	5000	2465	165	7300	5800	6860
	N5500	5500	2630	330	7800	6300	7360
	N6000	6000	2800	500	8300	6800	7860
	N6500	6500	2965	665	8800	7300	8360
	N7000	7000	3130	830	9300	7800	8860
	N7500	7500	3345	1045	9800	8300	9360
	N8000	8000	3515	1215	10300	8800	9860
	N8300	8300	3615	1315	10600	9100	10160
	N8500	8500	3730	1430	10800	9300	10360
	N9000	9000	3955	1655	11300	9800	10860
	N9250	9250	4040	1740	11550	10050	11110
N9500	9500	4125	1825	11800	10300	11360	



CJD12-AC1-H



CJD12-AC1-HK