

Notes:

Project Name: Sage Stone Apts.

Address: 1201 Scott Ave, Clovis, CA 93612

APN: 498-032-25

AHJ: City of Clovis

Ports: 4

Model: CT4021





Notes:

Project Name:

Address: 1201 Scott Ave, Clovis, CA 93612

APN: 498-032-25

AHJ: City of Clovis

Ports: 4

Model: CT4021

200A 120/240 MSP With Space for EV breakers

1201 Scott Ave, Clovis, CA 93612 –
Sage Stone Apartments



Notes:

Project Name:

Address: 1201 Scott Ave, Clovis,
CA 93612

APN: 498-032-25

AHJ: City of Clovis

Ports: 4

Model: CT4021

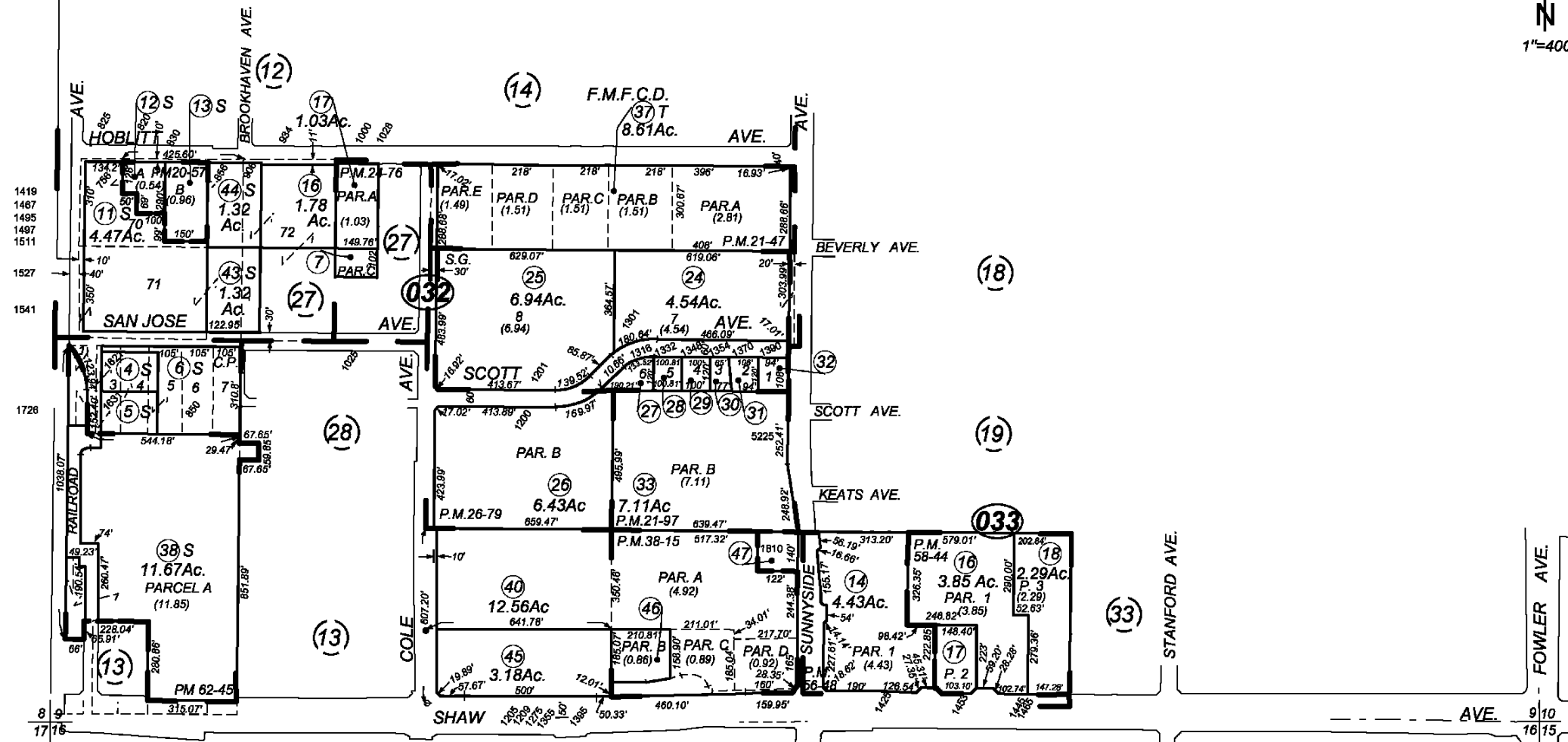
Space left alone for
employee golf carts

-NOTE-
This map is for Assessment purposes only.
It is not to be construed as portraying legal
ownership or divisions of land for purposes
of zoning or subdivision. law.

SUBDIVIDED LAND & POR. SEC.9, T.13S., R.21E., M.D.B.&M.

Tax Rate Area
1 - 003
1 - 028

498-03



Notes:

Project Name:

Address: 1201 Scott Ave, Clovis,
CA 93612

APN: 498-032-25

AHJ: City of Clovis

Ports: 4

Model: CT4021

(Bk.
497)

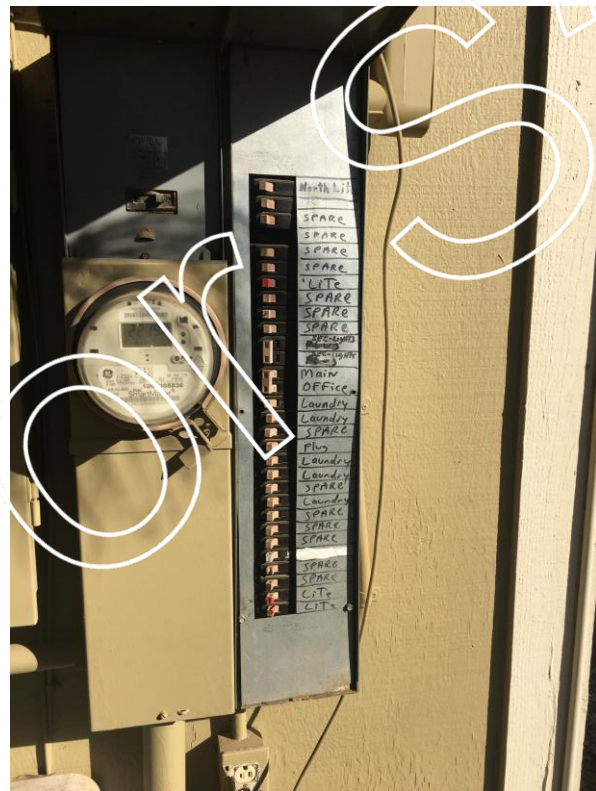
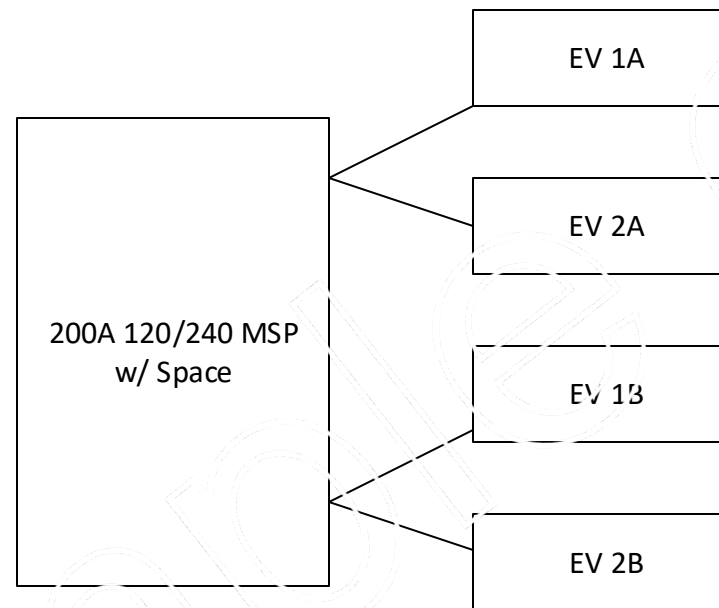
(Bk.
499)

- Sacramento Bank Colony - R.S. Bk.2, Pg.48
- Columbia Park - R.S. Bk.6, Pg.38
- Scotland Greens, Tr.No.2963 - Plat Bk.34, Pg.79
- Parcel Map No. 41 - Bk.10, Pg.96
- Parcel Map No. 95 - Bk.20, Pg.57
- Parcel Map No. 103 - Bk.21, Pg.47
- Parcel Map No. 119 - Bk.21, Pg.97
- Parcel Map No. 77 - 14 - Bk.24, Pg.76
- Parcel Map No. 77 - 25 - Bk.26, Pg.79
- Parcel Map No. 81 - 11 - Bk.38, Pg.15 & 16
- Parcel Map No. 94 - 10 - Bk.56, Pg.48
- Parcel Map No. 97-5 - Bk. 58, Pg. 44
- Parcel Map No. 2002-7 - Bk. 62, Pgs. 45 & 46

9/26/2016

Assessor's Map Bk.498 - Pg.03
County of Fresno, Calif.

Note - Assessor's Block Numbers Shown in Ellipses
Assessor's Parcel Numbers Shown in Circles



CT4000 Family Specifications



Electrical Input	Single Port (AC Voltage 208/240V AC)			Dual Port (AC Voltage 208/240V AC)		
	Input Current	Input Power Connection	Required Service Panel Breaker	Input Current	Input Power Connection	Required Service Panel Breaker
Standard	30A	One 40A branch circuit	40A dual pole (non-GFCI type)	30A x 2	Two independent 40A branch circuits	40A dual pole (non-GFCI type) x 2
Standard Power Share	n/a	n/a	n/a	32A	One 40A branch circuit	40A dual pole (non-GFCI type)
Power Select 24A	24A	One 30A branch circuit	30A dual pole (non-GFCI type)	24A x 2	Two independent 30A branch circuits	30A dual pole (non-GFCI type) x 2
Power Select 24A Power Share	n/a	n/a	n/a	24A	One 30A branch circuit	30A dual pole (non-GFCI type)
Power Select 16A	16A	One 20A branch circuit	20A dual pole (non-GFCI type)	16A x 2	Two independent 20A branch circuits	20A dual pole (non-GFCI type) x 2
Power Select 16A Power Share	n/a	n/a	n/a	16A	One 20A branch circuit	20A dual pole (non-GFCI type)
Service Panel GFCI	Do not provide external GFCI as it may conflict with Internal GFCI (CCID)					
Wiring - Standard	3-wire (L1, L2, Earth)			5-wire (L1, L1, L2, L2, Earth)		
Wiring - Power Share	n/a			3-wire (L1, L2, Earth)		
Standby Power	8W typical (standby), 15W maximum (operation)					

Electrical Output

Standard	7.2kW (240V AC @ 30A)	7.2kW (240V AC@30A) x 2
Standard Power Share	n/a	7.2kW (240V AC@30A) x1 or 3.8kW (240V AC@16A) x 2
Power Select 24A	5.8kW (240V AC@24A)	5.8kW (240V AC@24A) x 2
Power Select 24A Power Share	n/a	5.8kW (240V AC@24A) x1 or 2.9kW (240V AC@12A) x 2
Power Select 16A	3.8kW (240V AC@16A)	3.8kW (240V AC@16A) x 2
Power Select 24A Power Share	n/a	3.8kW (240V AC@16A) x1 or 1.9kW (240V AC@8A) x 2

Functional Interfaces

Connector(s) Type	SAE J1772™	SAE J1772™ x 2
Cable Length - 1830 mm (6') Cable Management	5.5 m (18')	5.5 m (18') x 2
Cable Length - 2440 mm (8') Cable Management	n/a	7 m (23')
Overhead Cable Management System	Yes	
LCD Display	145 mm (5.7") full color, 640x480, 30fps full motion video, active matrix, UV protected	
Card Reader	ISO 15693, ISO 14443, NFC	
Locking Holster	Yes	Yes x 2