

Limit Switch (Model-3SE3)



Product Specification:

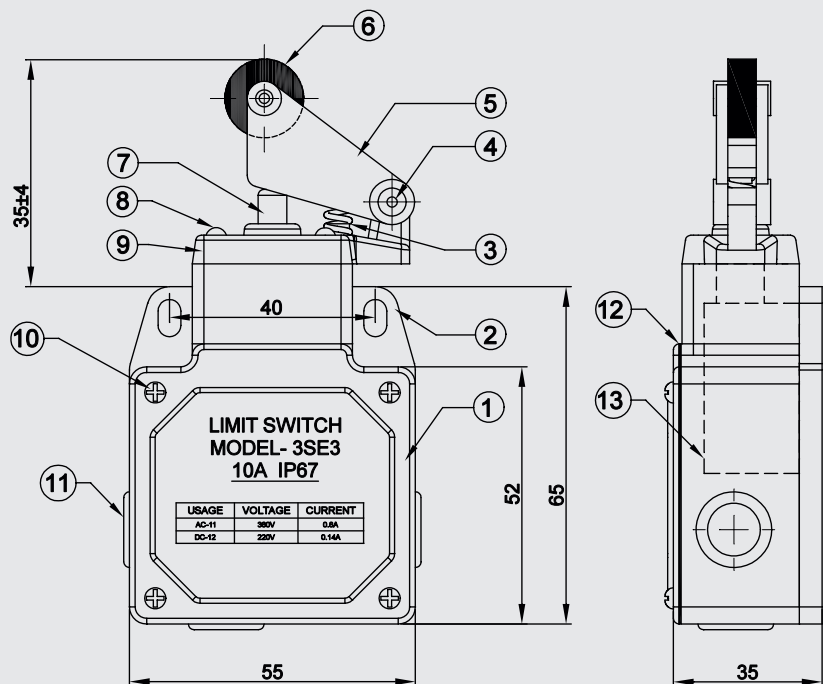
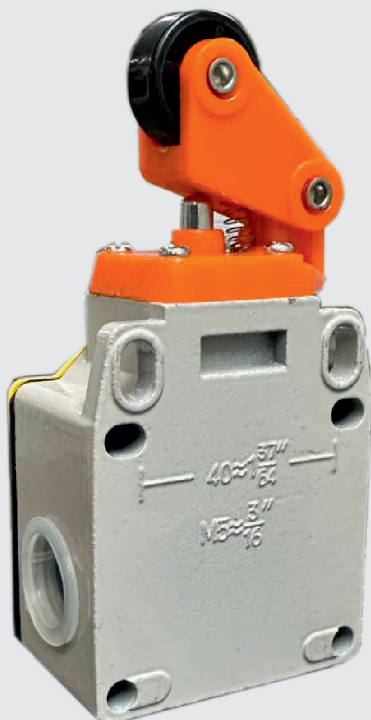
Mechlink 3SE3 Limit Switch is made for use in switching auxiliary and control circuit, where mechanical position is transformed into an electrical signal to control circuits and starters contractors.

Electrical Rating : 10Amp/380 V AC
Contact Life : 1lakh Switching Cycles.



SR. NO.	PART NAME	NO. OFF	MATERIAL
1	COVER	1	M.S. SHEET
2	BASE	1	ALUMINIUM
3	SPRING	1	S.S.
4	ARM PIN	2	S.S.
5	ROLLER ARM	1	ABS
6	ROLLER	1	ABS
7	PISTON	1	S.S.
8	BRACKET SCREW	4	M.S.
9	BRACKET	1	ABS
10	COVER SCREW	4	M.S.
11	CAP	1	PLASTIC
12	GASKET	1	NBR
13	CONNECTOR	1	ASSY.

Product Structure:



Limit Switch 3SE3