

Limit Switch (Model-2BR)



Product Specification:

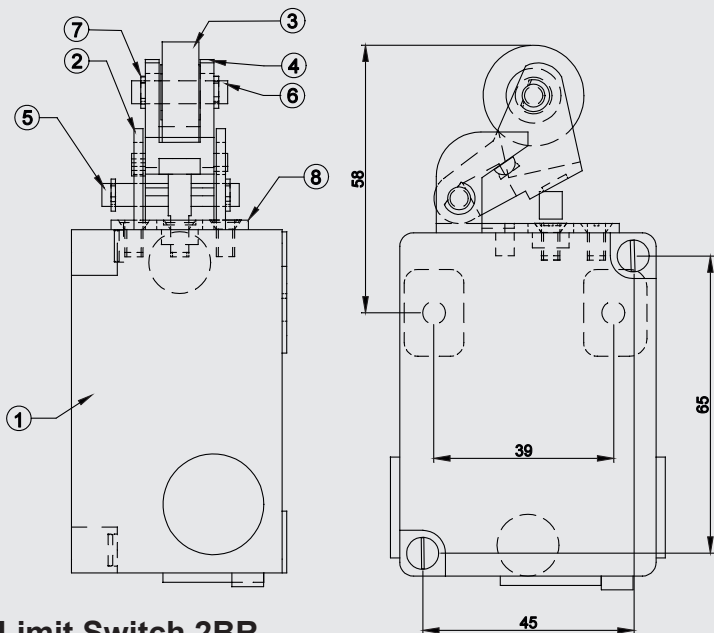
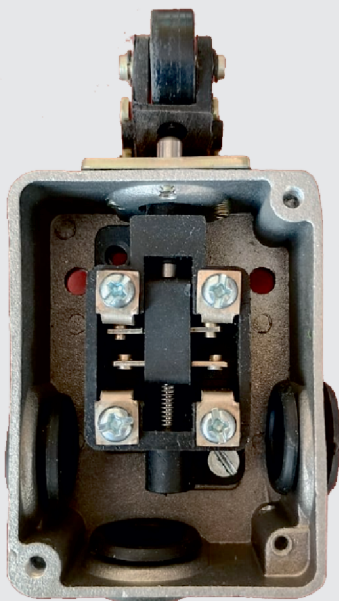
Mechlink 2BR Limit Switch is made for use in switching auxiliary and control circuit, where mechanical position is transformed into an electrical signal to control circuits and starters contractors.

Electrical Rating : 10Amp/550 V AC
Contact Life : 1lakh Switching Cycles.



SR. NO.	PART NAME	NO. OFF	MATERIAL
1	HOUSING	1	M.S. SHEET
2	ROLLER BRACKET	1	M.S.
3	ROLLER	1	BAKELITE
4	ROLLER ARM	1	NYLON
5	ROLLER ARM PIN	1	M.S.
6	ROLLER PIN	1	M.S.
7	CIRCLIP	4	M.S.
8	CSK SCREW	3	M.S.

Product Structure:



Limit Switch 2BR