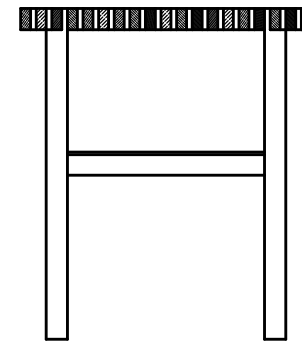
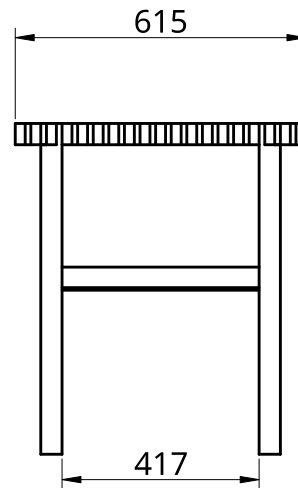
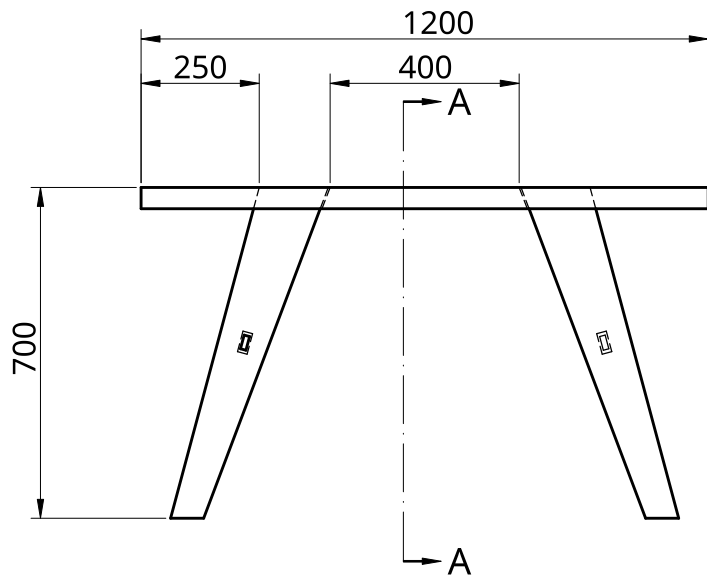
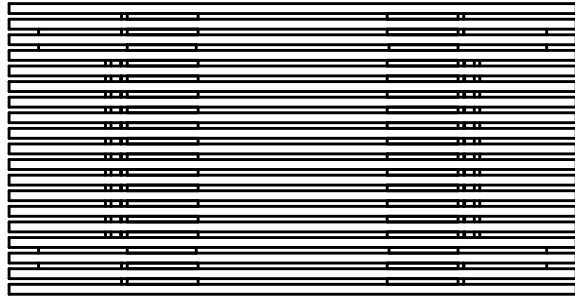


UNLESS OTHERWISE SPECIFIED,
DIMENSIONS ARE IN MILLIMETERS



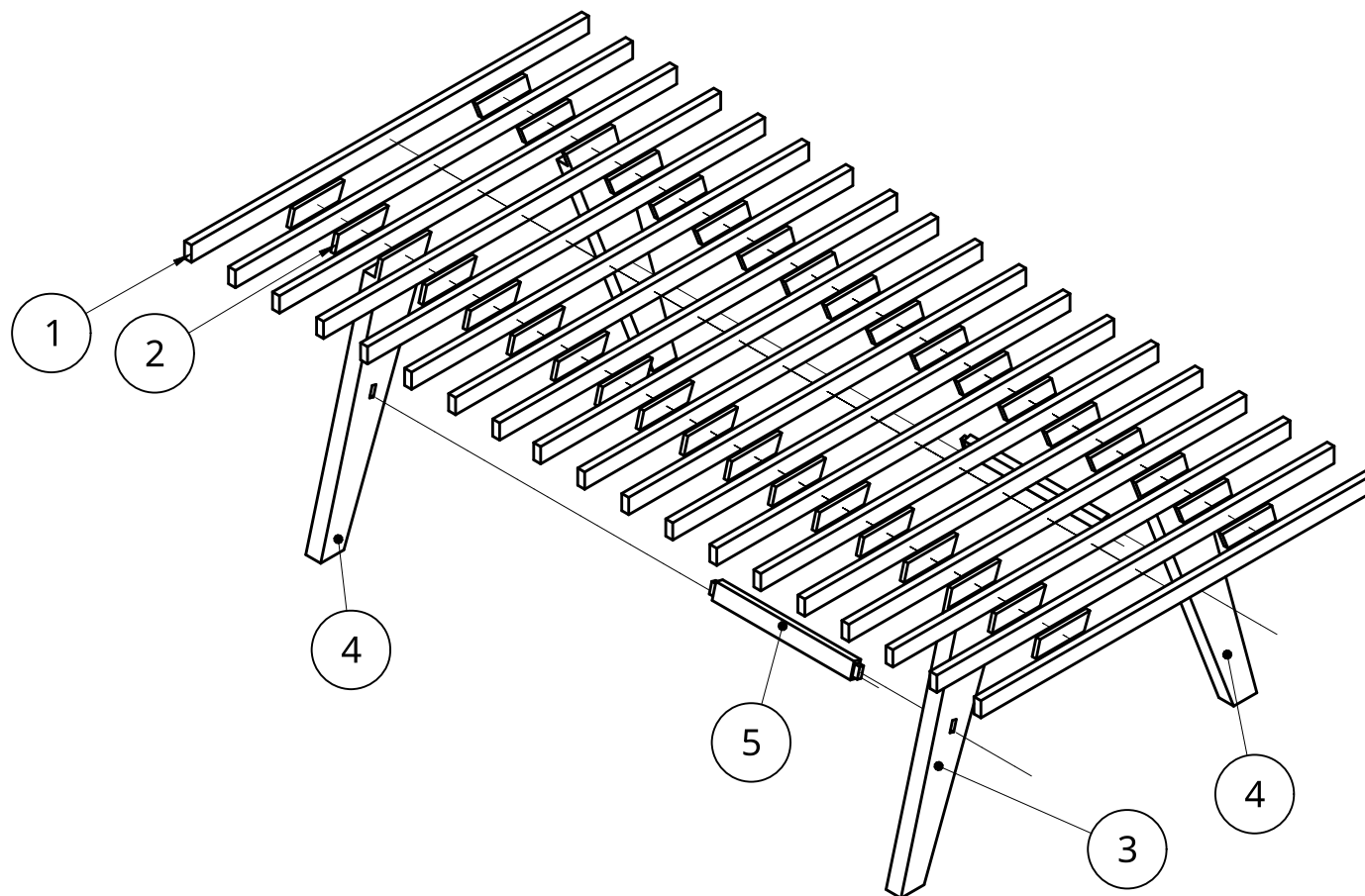
A - A

Table

Item	Quantity	Description
1	19	Table top pieces (White/Red deal. 25x50x1200 PAR 21x45 finished)
2	32	Table Spacer (White/red deal. 25mmx50mm PAR, 21x45 finished)
3	2	Table Leg (White/red deal)
4	2	Table Leg (White/red deal.)
5	2	Cross brace 399mm long (White/red deal. 50mmx25mm PAR 21x45 finished)

Exploded View

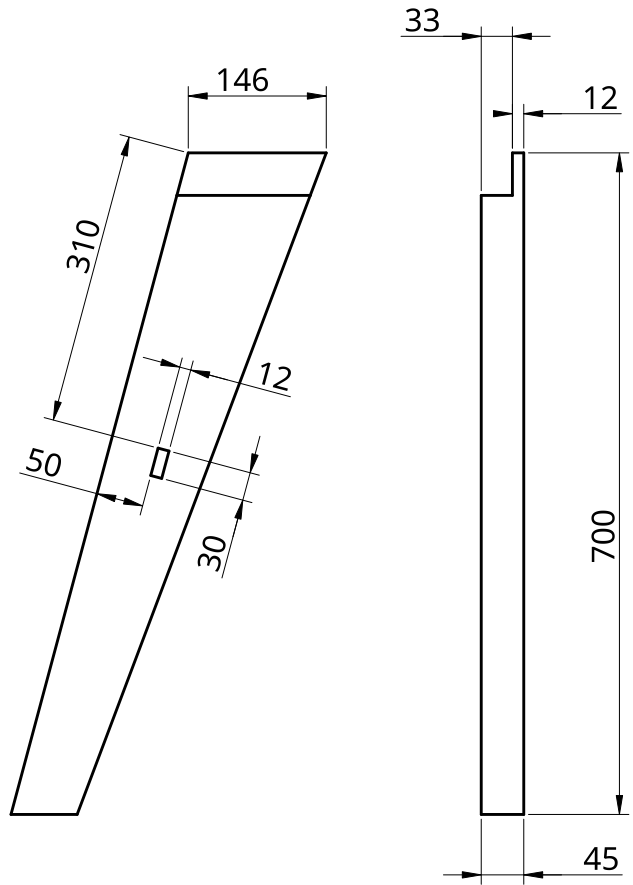
UNLESS OTHERWISE SPECIFIED,
DIMENSIONS ARE IN MILLIMETERS



Table

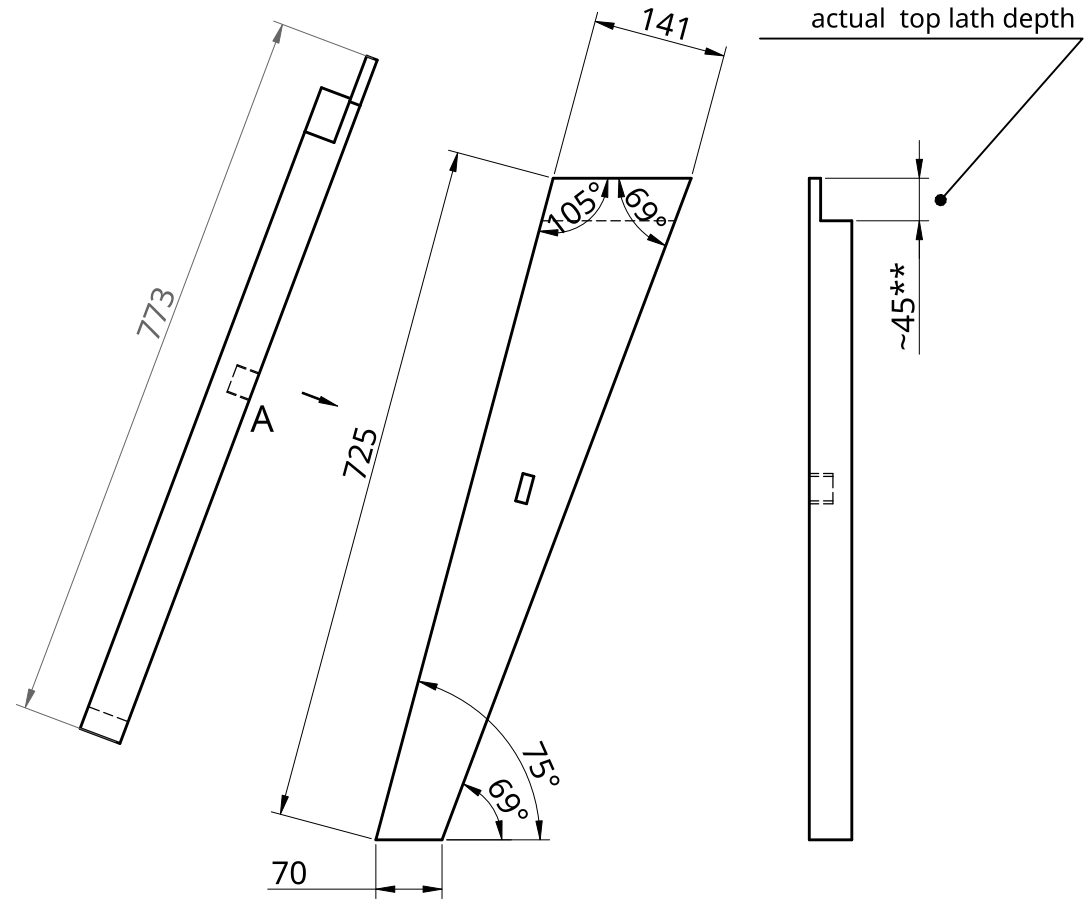


UNLESS OTHERWISE SPECIFIED,
DIMENSIONS ARE IN MILLIMETERS



Right Hand Leg

Weight 1.336 KG

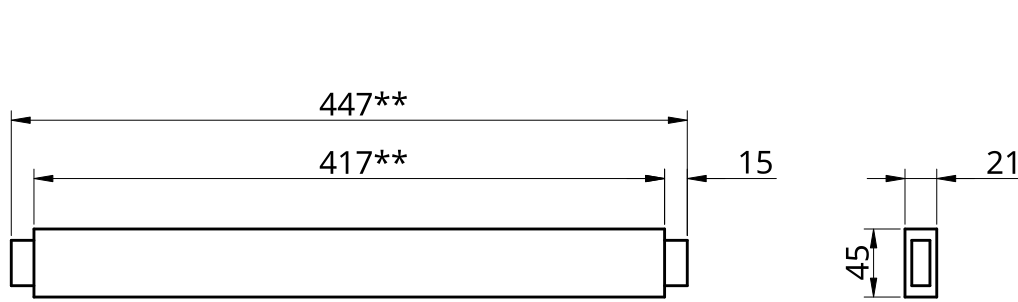


Left Hand Leg

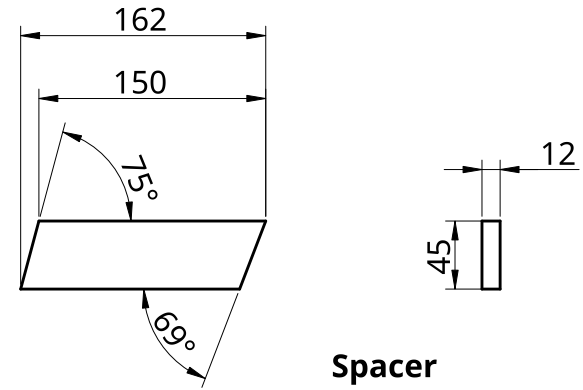
Table

UNLESS OTHERWISE SPECIFIED,
DIMENSIONS ARE IN MILLIMETERS

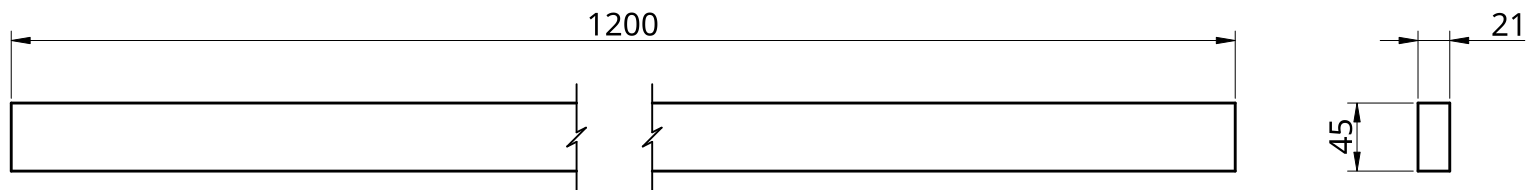
**Length of cross brace to suit actual built up size



Cross Brace 2 off



Spacer



Top Lath

Table