

CATALOG

2023 · 2024

PART 1



MICROSCOPES FOR EDUCATION, LIFE SCIENCE AND INDUSTRY

PART 1 MICROSCOPES FOR EDUCATION

PART 2 MICROSCOPES FOR LIFE SCIENCE

PART 3 MICROSCOPES FOR INDUSTRY



# contents

## euromex MICROSCOPE COLLECTION 2023 • 2024



PART 1	<b>EDUCATION</b> biological microscopes	<b>1</b>
	<b>EDUCATION</b> stereo microscopes	<b>2</b>
	<b>EDUCATION</b> digital solutions	<b>3</b>
PART 2	<b>LIFE SCIENCE</b> biological microscopes	<b>4</b>
	<b>LIFE SCIENCE</b> fluorescence microscopes	<b>5</b>
	<b>LIFE SCIENCE</b> stereo microscopes	<b>6</b>
	<b>LIFE SCIENCE</b> digital solutions	<b>7</b>
PART 3	<b>INDUSTRY</b> stereo microscopes	<b>8</b>
	<b>INDUSTRY</b> materials science microscopes	<b>9</b>
	<b>INDUSTRY</b> digital solutions	<b>10</b>
OTHER	<b>ACCESSORIES</b> for microscopy	<b>11</b>
	<b>OTHER OPTICAL PRODUCTS</b> magnifiers   instruments	<b>12</b>

# about euromex

1

## EDUCATION | BIOLOGICAL MICROSCOPES

MicroBlue • EcoBlue • BioBlue  
BioBlue.Lab • bScope • iScope

2

## EDUCATION | STEREO MICROSCOPES

EduBlue • StereoBlue  
NexiusZoom • AP series

3

## EDUCATION | DIGITAL SOLUTIONS

Digital microscopes • MacroZoom • USB cameras • HD cameras • WiFi cameras  
Cooled cameras • Tablet cameras • Software • Adapters

4

## LIFE SCIENCE | BIOLOGICAL MICROSCOPES

iScope • bScope • Delphi-X Observer • Oxion  
BioBlue.Lab • Oxion Inverso • Delphi-X Inverso

5

## LIFE SCIENCE | FLUORESCENCE MICROSCOPES

iScope • bScope • Delphi-X Observer • Oxion • Oxion Inverso  
Delphi-X Inverso • LED light sources (fluorescence) • Fluorescence filter sets

6

## LIFE SCIENCE | STEREO MICROSCOPES

NexiusZoom (EVO) • StereoBlue • DZ series  
Z series • P series

7

## LIFE SCIENCE | DIGITAL SOLUTIONS

Digital microscope • MacroZoom • WiFi camera • USB cameras  
HD cameras • Cooled cameras • Tablet camera • Software • Adapters

8

## INDUSTRY | STEREO MICROSCOPES

NexiusZoom, -EVO and -ESD • NexiusZoom for Gemology  
StereoBlue • DZ series • Z series • BE-50 series • P series

9

## INDUSTRY | MATERIALS SCIENCE MICROSCOPES

iScope (materials & polarization) • bScope  
Delphi-X Observer • Oxion • Oxion Inverso

10

## INDUSTRY | DIGITAL SOLUTIONS

Digital microscopes • MacroZoom • WiFi camera • USB cameras  
HD cameras • Cooled cameras • Tablet cameras • Software • Adapters

11

## ACCESSORIES | FOR MICROSCOPY

Illumination solutions • Preparation accessories • Dissection kits  
Microscope prepared slides • Disposables • Stains

12

## OTHER OPTICAL PRODUCTS

Magnifiers & measuring microscopes • Refractometers  
Polarimeters • Spectroscopes • Pathology Scanner

**Euromex Microscopen bv** is a leading manufacturer of microscopes and other optical instruments. Founded in 1966, Euromex has become a world-class supplier of biological, stereo and metallurgical microscopes

The corporate office is based in Arnhem, The Netherlands. A facility with a 2,000 m<sup>2</sup> conditioned logistics warehouse, an opto-mechanical workshop, an R&D department and a high-level quality control department

Around the world, Euromex operates in more than 120 countries through distributors, resellers and agents. A wide variety of customers such as schools and educational institutes, clinical and research laboratories and a broad range of industrial customers are using Euromex microscopes

Euromex Microscopen bv is a subsidiary of **Euromex Optics Group bv**, a group holding company with active subsidiaries in the field of optical instruments and high level optical and opto-mechanical components. Euromex Optics Group BV is a **GSI Group Company**

The broad product offering of Euromex can be found in this grand catalog and online at **www.euromex.com**

**Physix Photonics bv** is also a subsidiary of the Euromex Optics Group. Physix manufactures optical components and optical assemblies for OEM customers. The offering varies from plan optics, curved optics, specials optics to optical coatings. Detailed information about Physix Photonics can be found on **www.physix.com**



Visit **Euromex Academy** for Video Tutorials and Manuals



View the Product Videos on YouTube

# choose the right microscope



microscope selector

We have made a guide to help you find the right microscope for your specific application. A list of recommended models for most common applications in education, life science and industry can simplify your selection

SEE PAGE 412

At the end of the catalog you'll also find an index page, listing the products featuring in this catalog alphabetically

SEE PAGE 420

# education

## biological microscopes



## biological microscopes



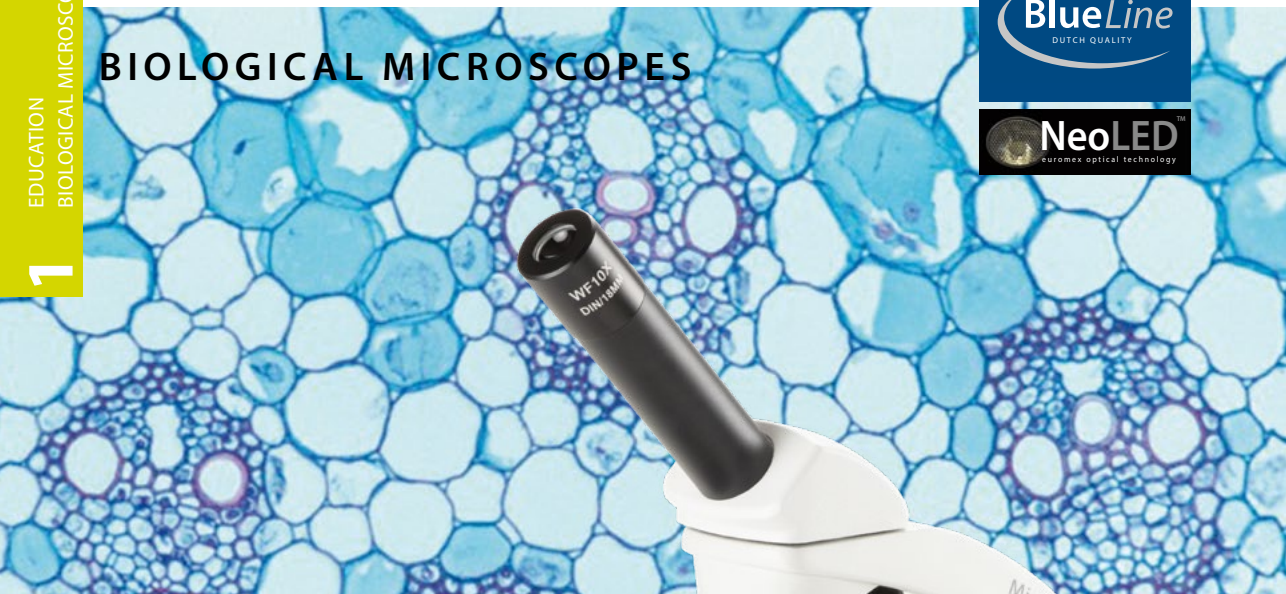
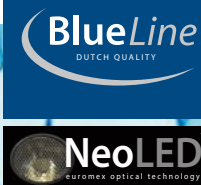
product information

The Euromex biological BlueLine educational product range is the result of many years of experience and the extensive knowledge of our optical engineers. Input from practice teachers, professors and students in combination with the high-level design and manufacturing capabilities of Euromex have resulted in these high quality instruments

The outstanding optical performance of the ergonomic Euromex BlueLine microscopes enables long productive working sessions for initiation, intermediate and advanced science teaching classes

**MICROBLUE • PAGE 10**  
**ECOBUE • PAGE 16**  
**BIOBLUE • PAGE 22**  
**BIOBLUE.LAB • PAGE 28**  
**BSCOPE • PAGE 32**  
**ISCOPE • PAGE 38**

# BIOLOGICAL MICROSCOPES



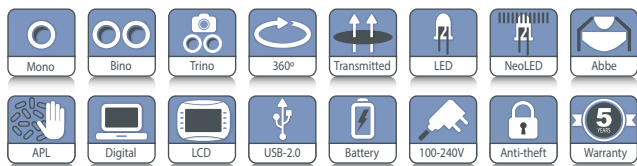
## MicroBlue

The modern MicroBlue is an entry-level microscope, especially appreciated when budgets are limited. The basic model comes with a fixed lens condenser and a plain stage

All models with an integrated mechanical stage are supplied with an Abbe condenser. All models are equipped with 35 mm achromatic objectives. The supplied rechargeable AA batteries enable cordless operation



product information



● Monocular model MB.1051

**MONOCULAR MB.1001**  
298 (h) x 151 (w) x 202 mm (d) | 2.0 kg  
**MONO, MECHANICAL STAGE MB.1151**  
298 (h) x 151 (w) x 202 mm (d) | 2.2 kg  
**BINO, MECHANICAL STAGE MB.1152**  
298 (h) x 151 (w) x 202 mm (d) | 2.8 kg



● Binocular model MB.1152

## SPECIFICATIONS

### EYEPIECE(S)

Wide field WF 10x/18 mm secured eyepiece with pointer. The eyepieces of the binocular models are supplied without pointer

### HEAD

Monocular models have a 45° inclined tube. Binocular and trinocular models have 45° inclined tubes, adjustable interpupillary distance between 48 and 75 mm and a ± 5 diopter adjustment on left tube. All heads are 360° rotatable. Models with an integrated USB-2.0 camera are supplied with a 1.3 MP 1/2.5" CMOS sensor with 1772 x 952 pixels or a 5.0 MP 1/2.8" CMOS sensor with 2560 x 1920 pixels resolution. The trinocular head has a fixed light path beam splitter (50:50) and generates an erect image. The MicroBlue can also be equipped with an LCD screen

### NOSEPIECE

Revolving nosepiece for three or four reversed objectives on ball bearings

## HIGHLIGHTS

- Entry-level microscopes
- Mono, bino, trino and digital models
- Revolving reversed nosepiece
- Integrated X-Y mechanical stage
- LED and NeoLED™ illumination
- Cordless operation
- Ergonomic carrying grip
- 5 Years warranty

### OBJECTIVES 35 MM PARFOCAL

Achromatic 4x/0.10, 10x/0.25 and S40x/0.65. Models with S60x or S100x oil immersion are also available

*The S40x, S60x and S100x oil immersion objectives are spring loaded. All optics are anti-fungus treated and anti-reflection coated for maximum light throughput*

### FOCUSING

Coaxial coarse and fine adjustments, 200 graduations, 15 µm per graduation, 3 mm per rotation, total travel range is approximately 15 mm. Supplied with an adjustable rack stop to prevent damage to sample and objectives. The coarse adjustments are equipped with friction control

### STAGE

All models are supplied with a 115 x 100 mm stage with integrated 55 x 20 mm X-Y mechanical stage, except for the basic model MB.1001(-LCD), which is supplied with a 105 x 105 mm stage and two non-removable clamps

## CONDENSER

Height adjustable Abbe condenser N.A. 1.25 with iris diaphragm and filter holder, except for the MB.1001(-LCD) model, which is equipped with a single N.A. 0.65 condenser with built-in iris diaphragm

## ILLUMINATION

All monocular versions are supplied with an adjustable 1 W LED illumination system. The binocular versions are supplied with a replaceable 1 W NeoLED™ illumination system for increased light output. All models are supplied with rechargeable AA batteries with an external 100-240 V battery charger/mains adapter

## CAMERA AND SOFTWARE\*

Models with an integrated 5.0 MP camera works are compatible with ImageFocus Plus software and with an integrated 1.3 MP CMOS USB-2.0 camera are compatible with ImageFocus 4. Besides capturing of images and videos this software allows measurements on still and live images and

annotations on captured images. Compatible with Windows 10 and higher, both 32 and 64 bits configurations

## LCD SCREEN\*

All the MicroBlue LCD microscopes are equipped with a 7" LCD screen. Images can be saved directly to a micro SD card in JPEG format. Screen resolution 1920 x 1080 @ 30 fp, image resolution upto 1844 x 1080 pixels. Videos can be shot in AVI format, resolution 1280 x 720. Basic measurement function (line) with calibration

## ANTI-THEFT SLOT

At the back of the microscope a Kensington Security slot is placed, which can be used to secure the instrument from theft

## PACKAGE CONTENT

Supplied with mains adapter-charger, three rechargeable AA batteries, dust cover, user manual and 5 ml immersion oil for models with an S100x objective. Including a white filter. All packed in a polystyrene box

MODELS	Mono	Bino	Trino	Digital mono*	Digital LCD*	Maximum objectives	4/10/S40x objectives	S60x objective	S100x objective	Mechanical X-Ystage	LED	NeoLED™	Batteries
MB.1001	•					3	•				•		•
MB.1051	•					4	•			•	•		•
MB.1651	•					4	•	•		•	•		•
MB.1151	•					4	•		•	•	•		•
MB.1052		•				4	•			•	•		•
MB.1652		•				4	•	•		•	•		•
MB.1152		•				4	•		•	•	•		•
MB.1053			•			4	•			•	•		•
MB.1153			•			4	•		•	•	•		•
MB.1001-LCD					•	3	•				•		•
MB.1051-LCD					•	4	•			•	•		•
MB.1055-5 <sup>(2)</sup>				•		4	•			•	•		•
MB.1655-1 <sup>(1)</sup>				•		4	•	•		•	•		•
MB.1655-5 <sup>(2)</sup>				•		4	•	•		•	•		•
MB.1155-1 <sup>(1)</sup>				•		4	•		•	•	•		•
MB.1155-5 <sup>(2)</sup>				•		4	•		•	•	•		•

\* See chapter 3 for more information

<sup>(1)</sup> MB.xxxx-1 = model with a integrated 1.3 MP CMOS USB-2.0 camera

<sup>(2)</sup> MB.xxxx-5 = model with a integrated 5.0 MP CMOS USB-2.0 camera



● Monocular head



● Binocular head



● Trinocular head



● Digital monocular head



● Digital LCD head



● MB.1153



## ACCESSORIES AND SPARE PARTS

### EYEPIECES

- AE.5571** Wide field eyepiece WF 5x/18 mm
- MB.6010** Wide field WF 10x/18 mm eyepiece with pointer
- MB.6010-P** Wide field 10x/18 mm eyepiece with pointer
- MB.6010-M** Wide field 10x/18 mm eyepiece with micrometer scale
- MB.6015** Wide field WF 15x/11 mm eyepiece
- MB.6020** Wide field WF 20x/9 mm eyepiece
- MB.6099** Pair of eyecups

### OBJECTIVES 35 MM PARFOCAL

- MB.7004** Achromatic 4x/0.10 objective, 35 mm parfocal
- MB.7010** Achromatic 10x/0.25 objective, 35 mm parfocal
- MB.7020** Achromatic 20x/0.40 objective, 35 mm parfocal
- MB.7040** Achromatic S40x/0.65 objective, 35 mm parfocal
- MB.7060** Achromatic S60x/0.85 objective, 35 mm parfocal
- MB.7000** Achromatic S100x/1.25 objective, 35 mm parfocal

### CAMERA ACCESSORIES

- AE.5130** Universal SLR adapter with built-in 2x lens for standard 23.2 mm tube. Needs T2 adapter
- AE.5025** T2 adapter for Nikon D SLR digital camera
- AE.5040** T2 adapter for Canon EOS SLR digital camera

### MISCELLANEOUS

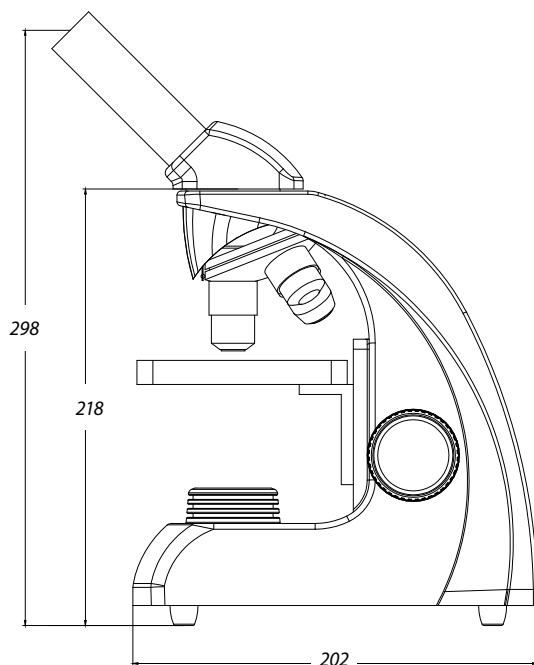
- MB.9710** Frosted filter
- MB.9975** External mains adapter-charger 100-240 Vac/5 Vdc (50/60 Hz)
- MB.9981** 1 W LED replacement unit
- MB.9991** 1 W NeoLED™ replacement unit
- MB.9900** Aluminum transport case

### DISPOSABLES

- PB.5155** Microscope slides 76 x 26 mm, ground edges, 50 pieces per pack
- PB.5157-W** Microscope slides 76 x 26 mm, ground edges. White frosted side, 50 pieces per pack
- PB.5157-B** Microscope slides 76 x 26 mm, ground edges. Blue frosted side, 50 pieces per pack

- PB.5160** Microscope slides 76 x 26 mm with cavity, grinded edges. 10 pieces per pack
- PB.5165** Cover glasses 18 x 18 mm, thickness 0.13-0.17 mm, 100 pieces
- PB.5168** Cover glasses 22 x 22 mm, thickness 0.13-0.17 mm, 100 pieces
- PB.5245** Lens cleaning paper, 100 sheets per pack
- PB.5255** Immersion oil, n = 1.515 (25 ml)
- PB.5274** Isopropyl alcohol 99% (200 ml)
- PB.5275** Cleaning kit: lens cleaning fluid, lint free lens tissue, brush, air blower, cotton swabs
- PB.5276** Microscope maintenance and servicing kit, 16 pcs: cleaning brush, 6 pcs screwdriver set, air blower, 3 pcs Allen key, 1.5, 2, 2.5 mm, lens cleaning fluid 20 ml, cleaning cloth 140 x 140 mm, 100 pcs lens tissue sheets, tube of maintenance grease, 10 ml bottle of oil, packed in a nice toolbox

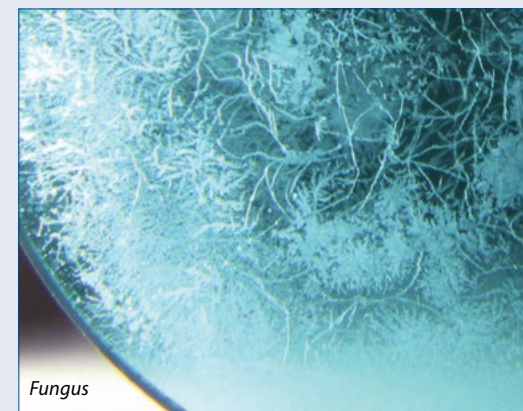
### DIMENSIONS



## about objectives

Most common microscope objectives come in different types:

- Achromatic objectives** Usually contain one or a pair of lenses and correct for color and have a good flat field. If there are aberrations they occur in the outer area of the image
- Semi plan objectives** Contain one or more (achromatic) lens elements and have an extended flat field. Semi plan objectives have an improved resolution
- Plan objectives** Correct even better for color and spherical aberration than semi plan objectives. Plan objectives have an excellent flat field and are recommended in conjunction with a camera
- Apochromatic objectives** Designed for color and spherical aberration correction on a minimum of three wavelengths. These objectives offer the best flat field correction



### ANTI-FUNGUS TREATED

Fungus spores are parasitic, travel in the air and can settle inside lenses. High temperatures, humidity and environments that are dark and unventilated encourage fungus growth

The optical components are anti-fungus treated. Nevertheless it is best to minimize the possibility of fungus by storing the microscopes in well-ventilated rooms with moderate temperatures and low humidity

# BIOLOGICAL MICROSCOPES

BlueLine  
DUTCH QUALITY

NeoLED™  
euromex optical technology

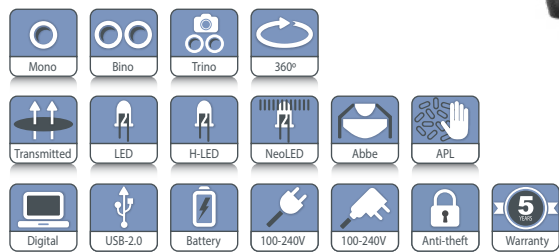


## EcoBlue

The modern microscopes of the EcoBlue series are especially developed for educational purposes with primary focus on ergonomics and excellent price/quality ratio. These microscopes are supplied with secured eyepieces and adjustable rack stop to prevent damage to sample and objectives



product information



● EC.1001



**MONOCULAR MODEL EC.1001**  
355 (h) x 170 (w) x 220 (d) | 2.48 kg  
**BINOCULAR MODEL EC.1152**  
360 (h) x 170 (w) x 214 (d) | 2.95 kg  
**POLARIZATION MODEL EC.1001-P-HLED**  
360 (h) x 170 (w) x 214 (h) | 3.35 kg

## HIGHLIGHTS

- Monocular, binocular and trinocular models with WF 10x/18 mm eyepiece(s)
- Models with integrated 5 MP CMOS camera
- Models for polarization applications
- Revolving nosepiece with four achromatic objectives
- Coaxial coarse and fine adjustments with rack stop
- Height adjustable Abbe condenser with iris diaphragm and filter holder
- 1 W LED or NeoLEDtm illumination
- Models without X-Y mechanical stage have internal 100-240 Vac power supply. No batteries
- Models with X-Y mechanical stage have rechargeable AA batteries and external 100-240 Vac mains/charger adapter
- Ergonomic stand
- 5 Years warranty

## SPECIFICATIONS

### EYEPIECE(S)

Wide field WF 10x/18 mm eyepiece with pointer. The eyepieces of the binocular and trinocular models are supplied without pointer

### HEAD

Monocular models with 45° inclined tubes. Binocular and trinocular models have 30° inclined tubes. The interpupillary distance is adjustable between 48 and 75 mm. All binocular and trinocular models have a ± 5 diopter adjustment on left tube. All heads are 360° rotatable. Models with an integrated USB-2.0 camera are supplied with a 5.0 MP 1/2.8" CMOS sensor with a resolution of 2560 x 1920 pixels. The trinocular head has a fixed light path beam splitter (50:50) and generates an erect image. The EcoBlue can also be supplied with a discussion head

### NOSEPIECE

Revolving nosepiece for four objectives on ball bearings. Models for polarization are supplied with swing-out analyzer



● EC.1101-P-HLED

### OBJECTIVES - 45 MM PARFOCAL

Achromatic 4x/0.10, 10x/0.25, S40x/0.65 and S100x/1.25 objectives. The S40x, S60x and S100x oil immersion objectives are spring loaded. The HLED-S models for polarization are equipped with semi-plan objectives  
*All optics are anti-fungus treated and anti-reflection coated for maximum light throughput*

### FOCUSING

Coaxial coarse and fine adjustments, 200 graduations, 12.5 µm per graduation, 2.5 mm per rotation, total travel range is approximately 15 mm. Supplied with an adjustable rack stop to prevent damage to sample and objectives

### STAGE

Plain 123 x 119 mm stage with two non-removable object clamps (optional EC.9500 attachable 51 x 26 mm X-Y mechanical stage available). Plain 123 x 128 mm stage with integrated 70 x 27 mm X-Y mechanical stage. The models for polarization are supplied with 129 mm circular stage, 360° rotatable, two object clamps and swing-out analyzer mounted on the lamp house



## CONDENSER

Height adjustable Abbe condenser N.A. 1.25 with iris diaphragm and filter holder. The models for polarization have a rack & pinion adjustment, all other models carry a helicoidal adjustment

## ILLUMINATION

Monocular models are supplied with an adjustable 1 W LED illumination with integrated power supply. Binocular and trinocular models are supplied with an adjustable 1 W NeoLED™ illumination system for increased light output. Models EC.1x51, EC.1x52 and EC.1x53 (x=0, 6 or 1) are supplied with rechargeable AA batteries and an external 100-240 V battery charger/mains adapter

The models for polarization are supplied with H-LED illumination for correct color rendering (very similar to the halogen light spectrum). With an integrated 100-240 V power supply, no batteries

## CAMERA AND SOFTWARE

Models with integrated 5 MP CMOS USB-2.0 camera are supplied with the ImageFocus Plus capture and measurement software. Besides capturing of images and videos, this software allows measurements on still and live images and annotations on captured images. Compatible with Windows 10 and higher, both 32 and 64 bits configurations. See chapter 3 for more information

## ANTI-THEFT SLOT

At the back of the microscope a Kensington Security slot is placed, which can be used to secure the instrument from theft

## PACKAGE CONTENT

Supplied with power cord or mains adapter-charger, white filter, dust cover, spare fuse, user manual and 5 ml immersion oil for models with an S100x objective. The EcoBlue models with external mains adapter and X-Y stage (EC.1x5x) are supplied with three rechargeable AA batteries. All packed in a polystyrene box

MODELS <sup>(4)</sup>	Mono	Bino	Trino	4/10/40x objectives	S60x objective	S100x objective	Mechanical X-Y stage <sup>(1)</sup>	LED	NeoLED™	Batteries <sup>(2)</sup>	Polarization <sup>(3)</sup>
EC.1001	•			•				•			
EC.1101	•			•		•		•			
EC.1601	•			•	•			•		•	
EC.1051	•			•			•	•			
EC.1151	•			•		•	•	•		•	
EC.1651	•			•	•		•	•		•	
EC.1152		•		•		•	•	•		•	
EC.1652		•		•	•		•	•		•	
EC.1053			•	•			•	•		•	
EC.1153			•	•		•	•	•		•	
EC.1001-P-HLED-S	•			•				•			•
EC.1601-P-HLED-S	•			•	•			•			•
EC.1101-P-HLED-S	•			•		•		•			•
EC.1002-P-HLED-S		•		•				•		•	•
EC.1602-P-HLED-S		•		•	•			•		•	•
EC.1102-P-HLED-S		•		•		•		•		•	•
EC.1003-P-HLED-S			•	•				•		•	•
EC.1603-P-HLED-S			•	•	•			•		•	•
EC.1103-P-HLED-S			•	•		•		•		•	•

<sup>(1)</sup> Integrated mechanical stage with 70 x 27 mm X-Y travel range

<sup>(2)</sup> With an external 100-240 V battery charger/mains adapter

<sup>(3)</sup> Polarization models are supplied with a 129 mm round stage and semi-plan objectives and H-LED illumination (similar light spectrum as halogen)

<sup>(4)</sup> For models with integrated camera, see chapter 3

## ACCESSORIES AND SPARE PARTS

### EYEPIECES

- AE.5571** Wide field eyepiece WF 5x/18 mm
- EC.6010** WF 10x/18 mm eyepiece
- EC.6010-M** WF 10x/18 mm eyepiece with micrometer scale
- EC.6010-C** WF 10x/18 mm eyepiece with crosshairs
- EC.6015** WF 15x/12 mm eyepiece
- EC.6110** WF 10x/18 mm eyepiece with micrometer 10/100
- EC.6099** Pair of eyecups

### OBJECTIVES - 45 MM PARFOCAL

- EC.7004** Achromatic 4x/0.10 objective. WD 37.5 mm
- EC.7010** Achromatic 10x/0.25 objective. WD 6.8 mm
- EC.7020** Achromatic 20x/0.40 objective. WD 2.0 mm
- EC.7040** Achromatic S40x/0.65 objective. WD 0.6 mm
- EC.7060** Achromatic S60x/0.85 objective. WD 0.185 mm
- EC.7000** Achromatic S100x/1.25 oil immersion objective. WD 0.195 mm

### MISCELLANEOUS

- EC.9500** Attachable mechanical X-Y stage, translation range 51 x 26 mm, with double Vernier and separate horizontal adjustments knobs
- EC.9710** Frosted white filter
- EC.9981** 1 W LED replacement unit
- EC.9991** 1 W NeoLED™ replacement unit
- EC.9994** 1 W H-LED replacement unit
- EC.9975** External mains/charger adapter 100-240 Vac/5 Vdc (50/60 Hz)
- AE.5511** Discussion head without eyepieces. Delivered with two eyepieces when the head is ordered mounted on microscope
- AE.5227** Glass fuses 1 A 250 V, 10 pieces
- AE.9918** Nylon microscope bag, 26 x 18 x 40 cm

WF = Wide field

WD = Working distance

### POLARIZATION ATTACHMENTS

- AE.5152** Simple polarization attachment. Analyzer mounted over eyepiece (rotatable) and polarizer Ø 32 mm in filter holder

### CAMERA ACCESSORIES

- AE.5130** Universal SLR camera adapter with 2x projection lens for 23.2 mm tubes. Needs T2 adapter
  - AE.5025** T2 adapter for Nikon D digital SLR cameras
  - AE.5040** T2 adapter for Canon EOS digital SLR cameras
- Other T2 adapters on request*



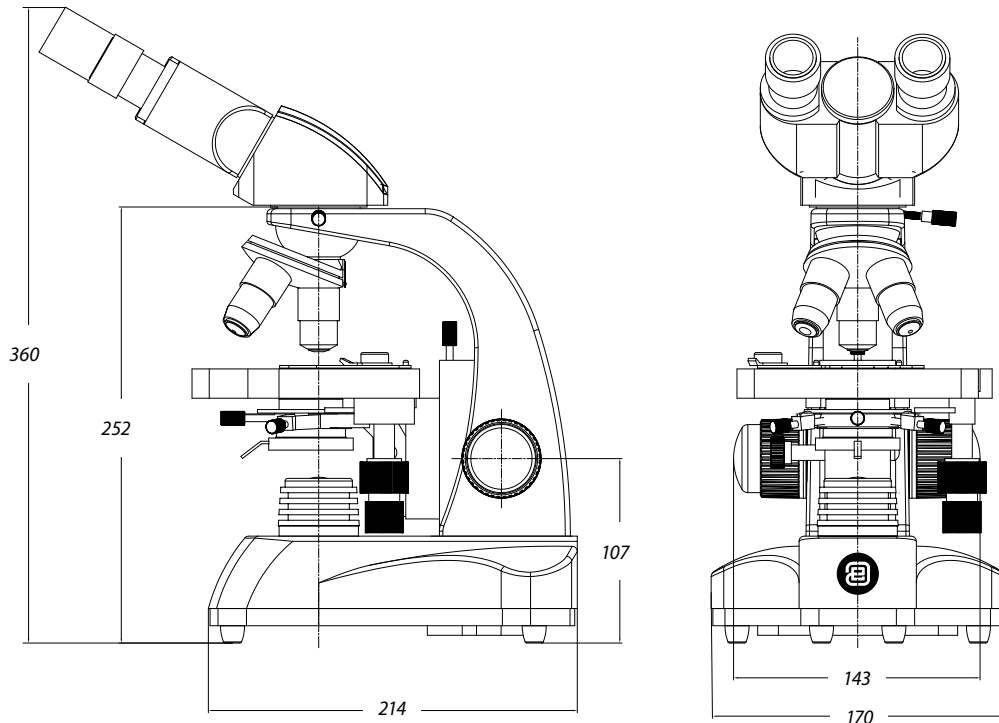
● EC.1152

**DISPOSABLES**

- PB.5155** Microscope slides 76 x 26 mm, ground edges, 50 pieces per pack
- PB.5157-W** Microscope slides 76 x 26 mm, ground edges. White frosted side, 50 pieces per pack
- PB.5157-B** Microscope slides 76 x 26 mm, ground edges. Blue frosted side, 50 pieces per pack
- PB.5160** Microscope slides 76 x 26 mm with cavity, grinded edges. 10 pieces per pack
- PB.5165** Cover glasses 18 x 18 mm, thickness 0.13-0.17 mm, 100 pieces
- PB.5168** Cover glasses 22 x 22 mm, thickness 0.13-0.17 mm, 100 pieces

- PB.5245** Lens cleaning paper, 100 sheets per pack
- PB.5255** Immersion oil, n = 1.515 (25 ml)
- PB.5274** Isopropyl alcohol 99% (200 ml)
- PB.5275** Cleaning kit: lens cleaning fluid, lint free lens tissue, brush, air blower, cotton swabs
- PB.5276** Microscope maintenance and servicing kit, 16 pcs: cleaning brush, 6 pcs screwdriver set, air blower, 3 pcs Allen key, 1.5, 2, 2.5 mm, lens cleaning fluid 20 ml, cleaning cloth 140 x 140 mm, 100 pcs lens tissue sheets, tube of maintenance grease, 10 ml bottle of oil, packed in a nice toolbox

**DIMENSIONS**



**TECHNICAL FACTS**

about **microscope basics**

A compound microscope consists of a group of lenses (called objective) which focuses a real image of the object inside the microscope. A second group of lenses (called eyepiece) magnifies this image and projects it on the retina of the eye. This compound optical system (objective - eyepiece) together with other mechanical components are the basics of a modern microscope

**HEAD**

The 30° inclined trinocular viewing head is equipped with a 23.2 mm photo port. The Siedentopf head corrects interpupillary distances to the users preference. A beam splitter inside the head divides the light between the eyepieces and the camera with diopter settings

**DIGITAL MICROSCOPY**

Modern microscopy uses CMOS, CCD or HD cameras for digital output to computer or HDMI displays. Users can use ImageFocus analysis software to capture, edit, analyze and share microscopy images

**THE NOSEPIECE**

A rotatable metal turret holding four microscope objectives for precise switching of magnifications. The revolver is mounted reversed for more workspace

**TRINOCULAR TUBE**

The trinocular tube connects cameras used for digital microscopy

**STAGE**

Move the specimen slide in the X or Y direction. Low positioned stage controls prevent fatigue

**EYEPIECES**

The WF 10x/18 mm are Wide Field eyepieces with 10x magnification and 18 mm field number

**COARSE AND FINE FOCUSING SYSTEM**

The full metal mechanical system moves the specimen in focus. With rack stop to prevent damage to prepared microscopy slides and objectives

**OBJECTIVES**

Microscope objectives are crucial for determining magnification and resolution of the image. International standards are used during production. Typical objective magnifications are 4x/10x/40x/100x

**MICROSCOPE BASE AND ARM**

A large base guarantees the necessary stability of the microscope. The arm includes an integrated carrying grip for easy and safe transportation

**CONDENSER**

The 1.25 NA condenser's diaphragm maximizes the resolution of the optical system and also allows adjustment of contrast. Color or density filters can be placed in the filter holder

**CORDED AND CORDLESS USE**

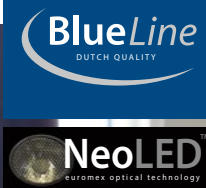
The supplied rechargeable AA batteries enable the microscope to be used both corded and cordless

**COLLECTOR LENS SYSTEM AND NEOLED™ LIGHT SOURCE**

This lens system maximizes light output. The innovative NeoLED™ design increases the light output even more, while less energy is required. The total system enables higher resolutions, very close to the theoretical diffraction limit of the optics



# BIOLOGICAL MICROSCOPES

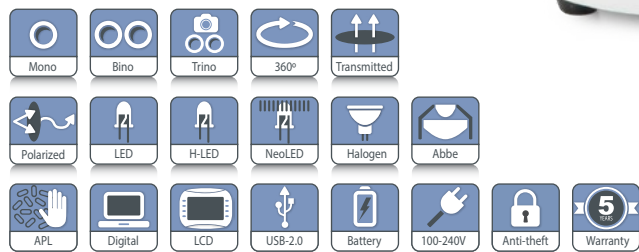


## BioBlue

The modern microscopes of the BioBlue series are especially developed for educational purposes with primary focus on ergonomics and today's quality standards. These microscopes are supplied with secured eyepieces and adjustable rack stop to prevent damage to sample and objectives



product information



● BB.4240

**BB.4200 MONOCULAR**  
320 (h) x 176 (w) x 227 mm (d) | 3.0 kg  
**BB.4260 BINOCULAR**  
360 (h) x 176 (w) x 227 mm (d) | 4.0 kg  
**BB.4200-P-HLED POLARIZATION**  
360 (h) x 176 (w) x 227 mm (d) | 4.4 kg



● BB.4260

## SPECIFICATIONS

### EYEPIECE(S)

Wide field WF 10x/18 mm secured eyepiece with pointer for monocular models. The eyepieces of the binocular and trinocular models are supplied without pointer. The BioBlue EVO models are supplied with WF 10x/20 mm eyepieces

### HEAD

Monocular models with 45° inclined tubes. Binocular and trinocular models have 30° inclined tubes, interpupillary distance is adjustable between 48 and 75 mm and equipped with a ± 5 diopter adjustment on the left tube. All heads are 360° rotatable and secured with a screw. The BioBlue microscope can also be supplied with a discussion head. The trinocular head has a fixed light path beam splitter (50:50) and generates an erect image. Models with an integrated USB-2.0 camera are supplied with a 5.0 MP 1/2.8" CMOS sensor with a resolution of 2560 x 1920 pixel

### NOSEPIECE

Reversed quadruple nosepiece on ball bearings. Models for polarization are supplied with a swing-out analyzer

## HIGHLIGHTS

- WF 10x/18 mm eyepiece(s)
- BioBlue EVO models with WF 10x/20 mm eyepieces and Köhler NeoLED™ illumination
- Models with integrated 5.0 MP CMOS camera or with a 7" LCD screen
- Models for polarization applications
- Reversed nosepiece for four semi plan objectives
- Integrated X-Y mechanical stage
- Coaxial coarse and fine adjustments with rack stop
- Height adjustable Abbe condenser with iris diaphragm and filter holder
- Monocular models with 1 W LED illumination
- Binocular and trinocular models supplied with 1 W NeoLED™ illumination for increased light output
- LED models supplied with rechargeable AA batteries and integrated power supply
- Ergonomic stand
- 10 Years warranty

### OBJECTIVES - 45 MM PARFOCAL

All models are supplied with semi plan 4x/0.10, 10x/0.25 and S40x/0.65 objectives. Models with an S60x/0.85 or S100x/1.25 oil immersion objective are also available. The S40x, S60x and S100x oil immersion objectives are spring loaded  
*All optics are anti-fungus treated and anti-reflection coated for maximum light throughput*

### FOCUSING

Coaxial coarse and fine adjustments with 200 graduations. Precision 2 µm per graduation, 0.4 mm per rotation. Total travel range is approximately 23 mm. Supplied with an adjustable rack stop to prevent damage to sample and objectives. The coarse adjustments are equipped with friction control

### STAGE

130 x 130 mm with mechanical 70 x 28 mm X-Y translation stage except for models BB.4200 and BB.4205. These models have a 120 x 120 mm plain stage supplied with two non-removable object clamps. The models for polarization are

supplied with 129 mm circular stage, 360° rotatable and two object clamps



360° rotatable circular stage for polarization

### POLARIZATION EQUIPMENT

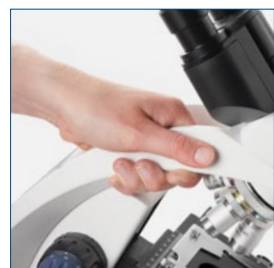
The swing-out analyzer is mounted in a slider under the head. The rotatable 360° polarizer fits on the collector lamp

### CONDENSER

Height adjustable Abbe condenser N.A. 1.25 with iris diaphragm and filter holder

### ILLUMINATION

Binocular and trinocular models are supplied with an adjustable 1 W NeoLED™ illumination system for increased light output. Monocular models have a standard adjustable 1 W LED illumination. The models for polarization are supplied with H-LED illumination for correct color rendering (very similar to the halogen light spectrum). The EVO models are equipped with Köhler NeoLED™ illumination. All BioBlue microscopes are supplied with rechargeable AA batteries and integrated 100-250 Vac power supply for cordless operation



The ergonomic carrying grip enables easy transportation

### CAMERA AND SOFTWARE

Models with an integrated 5 MP CMOS USB-2.0 camera are supplied with the ImageFocus Plus software. Besides capturing images and videos, this software also allows measurements on still and live images and annotations on captured images. Compatible with Windows 10 and higher, both 32 and 64 bits configurations

### ANTI-THEFT SLOT

At the back of the microscope a Kensington Security slot is placed, which can be used to secure the instrument from theft

### PACKAGE CONTENT

Supplied with power cord, three rechargeable AA batteries, dust cover, a spare fuse, white filter, user manual and 5 ml immersion oil for models with S100x objective. Polarization models are supplied with a crosshairs eyepiece. All packed in a polystyrene box



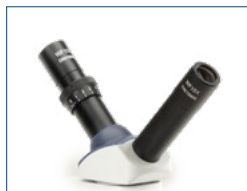
● Monocular head



● Binocular head



● Trinocular head



● Discussion head

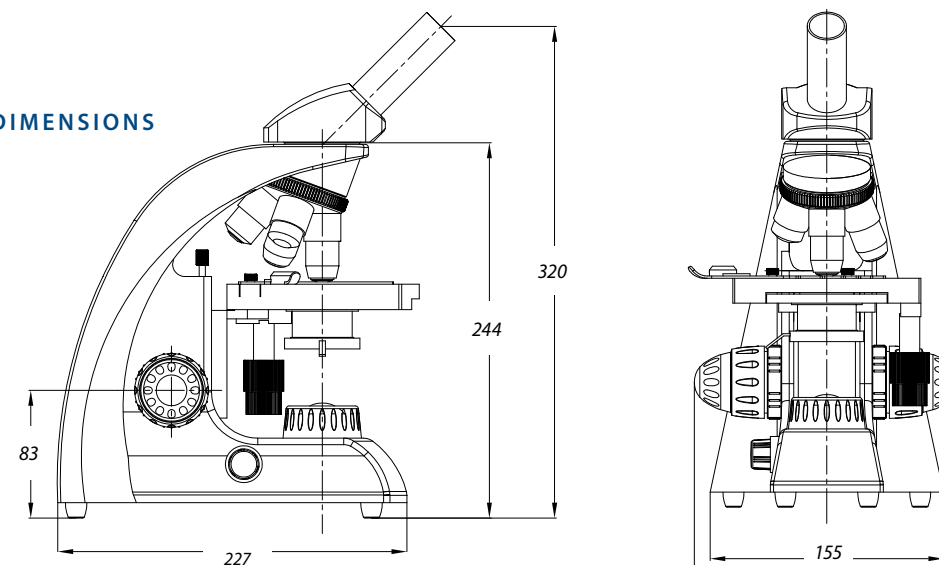


● Digital heads



● LCD head

### DIMENSIONS



MODELS	Mono	Bino	Trino	Digital	4/10/40x SMP objectives	S60x SMP objective	S100x SMP objective	Mechanical X-Y stage	LED	Neo-LED™ illumination <sup>(1)</sup>	Köhler illumination <sup>(1)</sup>	Polarization <sup>(2)</sup>
BB.4200	•				•				•			
BB.4220	•				•			•	•			
BB.4240	•				•	•		•	•			
BB.4250	•				•		•	•	•			
BB.4260		•			•		•	•	•	•		
BB.4260-E		•			•		•	•	•		•	
BB.4263		•			•	•		•	•			
BB.4243			•		•	•		•	•			
BB.4253			•		•	•		•	•			
BB.4253-E			•		•	•		•	•		•	
BB.4205	•			•	•			•	•			
BB.4225	•			•	•			•	•			
BB.4245	•			•	•	•		•	•			
BB.4255	•			•	•		•	•	•			
BB.4267		•	•		•		•	•	•			
BB.4269		•	•		•	•		•	•			
BB.4200-LCD				• <sup>(3)</sup>	•				•			
BB.4220-LCD				• <sup>(3)</sup>	•			•	•			
BB.4220-P-HLED	•				•				•			•
BB.4240-P-HLED	•				•	•			•			•
BB.4250-P-HLED	•				•	•	•		•			•
BB.4261-P-HLED		•			•				•	•		•
BB.4263-P-HLED		•			•	•			•	•		•
BB.4260-P-HLED	•				•		•		•	•		•
BB.4241-P-HLED			•		•				•			•
BB.4243-P-HLED			•		•	•			•			•
BB.4253-P-HLED			•		•	•	•		•			•

<sup>(1)</sup> EVO models are supplied with WF 10x/20 mm eyepieces and Köhler NeoLED™ illumination

<sup>(2)</sup> Polarization models are supplied with H-LED illumination - very similar light spectrum to the halogen illumination - and an eyepiece with crosshairs

<sup>(3)</sup> Models with a 7" LCD screen, 1920x1080 pixels, SD card for images and video

## ACCESSORIES AND SPARE PARTS

### EYEPIECES

- AE.5571** Wide field eyepiece WF 5x/18 mm
- AE.5572** Wide field eyepiece WF 10x/18 mm
- AE.5572-E** Wide field eyepiece WF 10x/20 mm
- AE.5573** Wide field eyepiece WF 15x/12 mm
- AE.5573-E** Wide field eyepiece WF 15x/12 mm for BioBlue EVO
- AE.5574** Wide field micrometer eyepiece 10 mm/100
- AE.5581** Wide field eyepiece WF 10x/18 mm with pointer
- AE.5581-E** Wide field eyepiece WF 10x/20 mm with pointer for BioBlue EVO
- AE.5582** Wide field eyepiece WF 20x/11.5 mm
- AE.5582-E** Wide field eyepiece WF 20x/12.5 mm for BioBlue EVO
- AE.5365** Eyecup for eyepiece
- AE.5365-E** Pair of eyecups for eyepieces
- AE.1110** Stage micrometer 1 mm/ 100 parts

### OBJECTIVES - 45 MM PARFOCAL

- AE.5591** Semi plan objective 4x/0.10. WD 37.5 mm
- AE.5593** Semi plan objective 10x/0.25. WD 6.54 mm
- AE.5594** Semi plan objective 20x/0.40. WD 1.2 mm
- AE.5597** Semi plan objective S40x/0.65. WD 0.68 mm
- AE.5599** Semi plan objective S60x/0.75. WD 0.2 mm
- AE.5601** Semi plan objective S100x/1.25 oil immersion. WD 0.22 mm

● BioBlue microscope with polarization kit



### MISCELLANEOUS

- AE.5511** Discussion head without eyepieces. Delivered with two eyepieces when the head is ordered mounted on microscope
- AE.9918** Nylon microscope bag, 26 x 18 x 40 cm
- BB.4300** Aluminum case
- BB.9602** Analyzer in slider
- AE.9981** 1 W LED replacement unit
- AE.9981-H** 1W LED (halogen color type) replacement unit (only for monocular versions)
- AE.9991** 1 W NeoLED™ replacement unit
- AE.9991-H** 1 W NeoLED replacement unit (only for binocular and trinocular versions)
- AE.5227** Fuse 1 A 250 V, 10 pieces

### CAMERA ACCESSORIES

- AE.5130** Universal SLR camera adapter with 2x projection lens for 23.2 mm tubes. Needs T2 adapter
- AE.5025** T2 adapter for Nikon D digital SLR cameras
- AE.5040** T2 adapter for Canon EOS digital SLR cameras  
*Other T2 adapters on request*

### DISPOSABLES

- PB.5155** Microscope slides 76 x 26 mm, ground edges, 50 pieces
- PB.5157-W** Microscope slides 76 x 26 mm, ground edges. White frosted side, 50 pieces per pack
- PB.5157-B** Microscope slides 76 x 26 mm, ground edges. Blue frosted side, 50 pieces per pack
- PB.5160** Microscope slides 76 x 26 mm with cavity, grinded edges. 10 pieces per pack
- PB.5165** Cover glasses 18 x 18 mm, thickness 0.13-0.17 mm, 100 pieces
- PB.5168** Cover glasses 22 x 22 mm, thickness 0.13-0.17 mm, 100 pieces
- PB.5245** Lens cleaning paper, 100 sheets per pack
- PB.5255** Immersion oil, n = 1.515 (25 ml)
- PB.5274** Isopropyl alcohol 99% (200 ml)
- PB.5275** Cleaning kit: lens cleaning fluid, lint free lens tissue, brush, air blower, cotton swabs

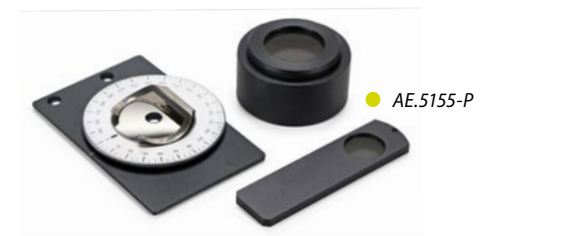
- PB.5276** Microscope maintenance and servicing kit, 16 pcs: cleaning brush, 6 pcs screwdriver set, air blower, 3 pcs Allen key, 1.5, 2, 2.5 mm, lens cleaning fluid 20 ml, cleaning cloth 140 x 140 mm, 100 pcs lens tissue sheets, tube of maintenance grease, 10 ml bottle of oil, packed in a nice toolbox



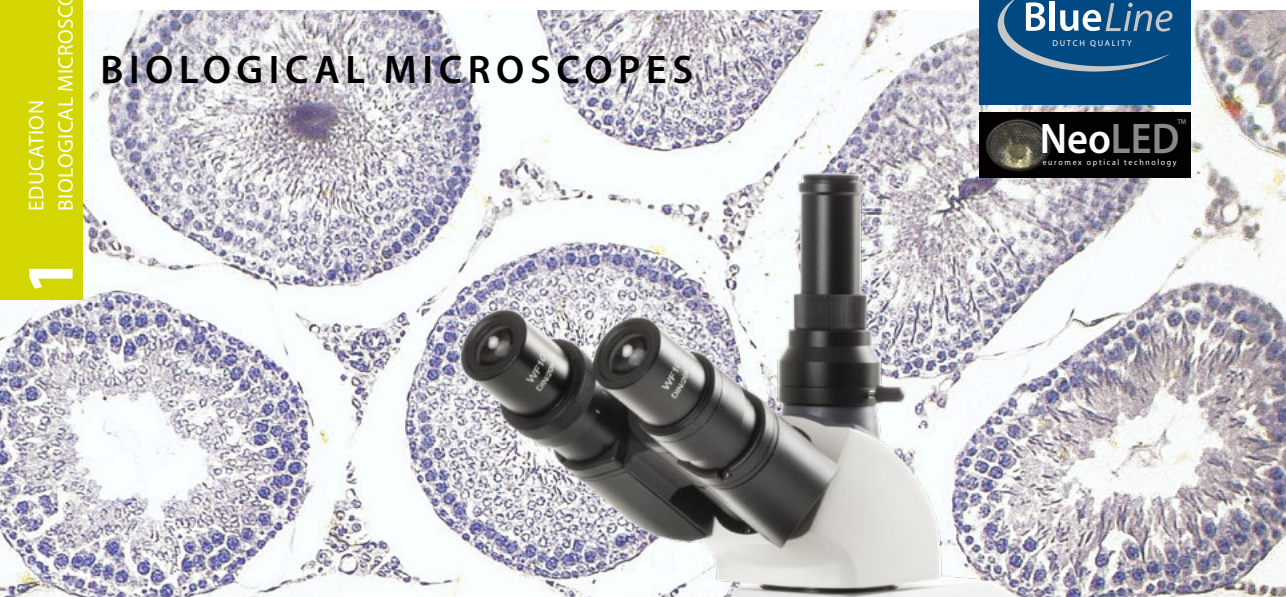
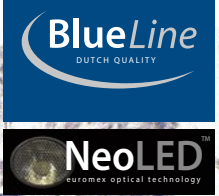
### POLARIZATION ATTACHMENTS

*Not suitable for the BioBlue EVO models*

- AE.5151** Simple polarization attachment. Polarizer mounted over eyepiece and analyzer 32 mm diameter in filter holder
- AE.5152** Polarization attachment. Analyzer mounted over eyepiece and small (75 x 50 mm) 360° rotatable stage with built-in polarizer to be mounted on X-Y stage
- AE.5155** Polarization kit with analyzer in slider and small rotatable (75 x 50 mm) stage with two clamps to be mounted on X-Y stage. Polarization filter to be mounted on lamphouse
- AE.5155-P** Polarization kit with analyzer in slider and small rotatable (100 x 65 mm) stage with two clamps to be mounted on plain stage. Polarization filter to be mounted on lamphouse
- AE.5156** Simple polarization kit with analyzer in slider and polarization filter to be mounted on lamphouse
- AE.5158** Polarization kit with analyzer in slider and small rotatable (75 x 50 mm) stage with two clamps to be mounted on X-Y stage. Rotatable 360° polarization filter to be mounted on lamphouse
- AE.5158-P** Polarization kit with analyzer in slider and small rotatable (100 x 65 mm) stage with two clamps to be mounted on plain stage. 360° Rotatable polarization filter to be mounted on lamphouse



# BIOLOGICAL MICROSCOPES

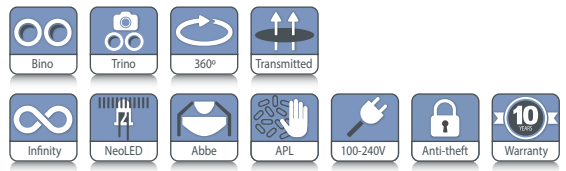


## BioBlue.Lab

The BlueLine flagship BioBlue.Lab is an instrument that precisely matches the highest expectations of microscopy users. All models are equipped with a NeoLED™ illumination system and are available in binocular and trinocular versions



● BB.1153-PLi



**BB.1152-PLi**  
377 (h) x 205 (w) x 260 mm (d) | 5.4 kg  
**BB.1153-PLi**  
448 (h) x 205 (w) x 260 mm (d) | 5.6 kg



## HIGHLIGHTS

- WF 10x/20 mm eyepieces
- Binocular and trinocular models
- Reversed quadruple nosepiece
- Plan and plan IOS objectives
- Infinity and non-infinity optical system
- Integrated rackless mechanical stage
- 3 W NeoLED™ illumination
- Ergonomic carrying grip
- 10 Years warranty



● BioBlue

● BioBlue.Lab

## SPECIFICATIONS

These ergonomic easy-to-use microscopes have been designed specifically for laboratory and university applications. The 150 x 140 mm mechanical stage has an integrated rackless X-Y stage with 75 x 30 mm travel range

An important feature of the BioBlue.Lab is the rackless stage, which provides a smooth translation of the specimen and highly precise positioning. This plays an integral part in most demanding cytology and histopathology applications

The BioBlue.Lab microscope models offer great functionality and are equipped with WF 10x/20 mm eyepieces, plan and IOS plan 4x/ 10x/ S40x/ S100x infinity corrected objectives

This enhancement is suitable for a wide variety of routine applications in laboratories and field microscopy

### EYEPIECES

Wide field WF 10x/20 mm eyepieces

### HEAD

Binocular and trinocular models have 30° inclined Ø 30 mm tubes. The interpupillary distance is adjustable between 48 to 75 mm. All models have a ±5 diopter adjustment on left tube. All heads are 360° rotatable and secured with a screw. The trinocular head has a fixed light path beam splitter (50:50) and generates an erect image

### NOSEPIECE

Reversed quadruple nosepiece on ball bearings. Slot for analyzer (BB.9602)

### OBJECTIVES - 45 MM PARFOCAL

BioBlue.Lab microscopes are equipped with plan and plan IOS objectives. Optional 20x/0.40 and S60x/0.85 objectives are also available. The S40x, S60x and S100x objectives are spring loaded.

*All optics are anti-fungus treated and anti-reflection coated for maximum light throughput*

## FOCUSING

Coaxial coarse and fine adjustments with 200 graduations. Precision 1.5 µm per graduation, 0.3 mm per rotation. Total travel range is approximately 28 mm. Supplied with an adjustable rack stop to prevent damage to sample and objectives. The coarse adjustments are equipped with friction control

## STAGE

Rackless 150 x 140 mm stage with mechanical 75 x 30 mm X-Y translation stage

## CONDENSER

Height adjustable Abbe condenser N.A. 1.25 with iris diaphragm and filter holder. Supplied with a white filter

## ILLUMINATION

Binocular and trinocular models are supplied with an adjustable 3 W NeoLED™ illumination system for increased light output. Power supply with integrated 100-240 Vac

## ANTI-THEFT SLOT

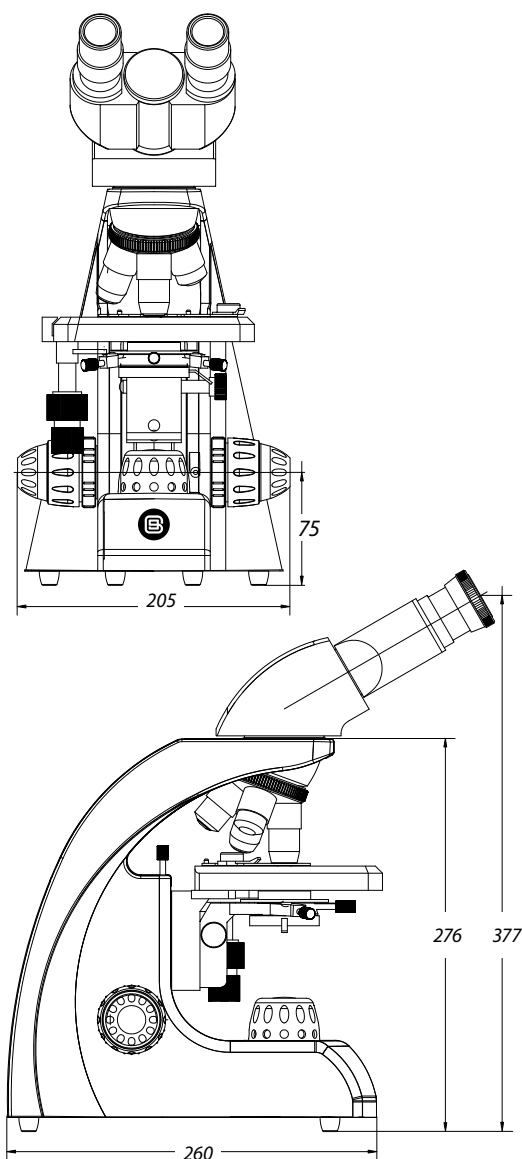
At the back of the microscope a Kensington Security slot is placed, which can be used to secure the instrument from theft

## PACKAGE CONTENT

Supplied with power cord, dust cover, a spare fuse, user manual, 5 ml immersion oil and white filter.

All packed in a polystyrene box

## DIMENSIONS



MODELS	Binocular	Trinocular	4x/10x/S40x/S100x plan objectives	4x/10x/S40x/S100x plan IOS objectives	Rackless mechanical stage	NeoLED™
BB.1152-PL	•		•		•	•
BB.1153-PL		•	•		•	•
BB.1152-PLi	•			•	•	•
BB.1153-PLi		•		•	•	•

## ACCESSORIES AND SPARE PARTS

### EYEPIECES

- BB.6010** WF 10x/20 mm eyepiece, 30 mm tube
- BB.6110** WF 10x/22 mm eyepiece, 30 mm tube with micrometer reticle
- BB.6015** WF 15x/15 mm eyepiece, 30 mm tube
- BB.6020** WF 20x/11 mm eyepiece, 30 mm tube
- BB.6099** Pair of eyecups

### OBJECTIVES - 45 MM PARFOCAL

- BB.8804** Plan 4x/0.10 objective. WD 17.92 mm
- BB.8810** Plan 10x/0.25 objective. WD 2.04 mm
- BB.8820** Plan 20x/0.40 objective. WD 1.20 mm
- BB.8840** Plan S40x/0.65 objective. WD 0.65 mm
- BB.8860** Plan S60x/0.80 objective. WD 0.19 mm
- BB.8800** Plan S100x/1.25 oil immersion objective. WD 0.18 mm
- BB.7204** Plan 4x/0.10 IOS objective. WD 7.18 mm
- BB.7210** Plan 10x/0.25 IOS objective. WD 4.80 mm
- BB.7220** Plan 20x/0.40 IOS objective. WD 5.27 mm
- BB.7240** Plan S40x/0.65 IOS objective. WD 0.68 mm
- BB.7260** Plan S60x/0.85 IOS objective. WD 0.50 mm
- BB.7200** Plan S100x/1.25 oil immersion IOS objective. WD 0.20 mm

WD = Working distance

### MISCELLANEOUS

- BB.9602** Analyzer in slider, Ø 25 mm. Fits in nosepiece
- BB.9732** Polarization filter, Ø 32 mm. Fits in filter holder
- BB.9880** Köhler attachment
- BB.9993** 3 W NeoLED™ replacement unit
- BB.9707** White filter Ø 32 mm. Fits in filter holder
- AE.5227** Fuse 1 A 250 V, 10 pieces
- BB.9900** Aluminum case
- AE.9919** Nylon bag for BioBlue.Lab, 58(h) x 32(w) x 24(d)

### CAMERA ACCESSORIES

- AE.5130** Universal SLR camera adapter with 2x projection lens for 23.2 mm tubes. Needs T2 adapter
- AE.5040** T2 adapter for Canon EOS SLR digital camera
- AE.5025** T2 adapter for Nikon D SLR digital camera

### DISPOSABLES

- PB.5155** Microscope slides 76 x 26 mm, ground edges, 50 pieces per pack
- PB.5157-W** Microscope slides 76 x 26 mm, ground edges. White frosted side, 50 pieces per pack
- PB.5157-B** Microscope slides 76 x 26 mm, ground edges. Blue frosted side, 50 pieces per pack
- PB.5160** Microscope slides 76 x 26 mm with cavity, grinded edges. 10 pieces per pack
- PB.5165** Cover glasses 18 x 18 mm, thickness 0.13-0.17 mm, 100 pieces
- PB.5168** Cover glasses 22 x 22 mm, thickness 0.13-0.17 mm, 100 pieces
- PB.5245** Lens cleaning paper, 100 sheets per pack
- PB.5255** Immersion oil, n = 1.515 (25 ml)
- PB.5274** Isopropyl alcohol 99% (200 ml)
- PB.5275** Cleaning kit: lens cleaning fluid, lint free lens tissue, brush, air blower, cotton swabs
- PB.5276** Microscope maintenance and servicing kit, 16 pcs: cleaning brush, 6 pcs screwdriver set, air blower, 3 pcs Allen key, 1.5, 2, 2.5 mm, lens cleaning fluid 20 ml, cleaning cloth 140 x 140 mm, 100 pcs lens tissue sheets, tube of maintenance grease, 10 ml bottle of oil, packed in a nice toolbox

For phase contrast attachments and accessories see chapter 4



# BIOLOGICAL MICROSCOPES



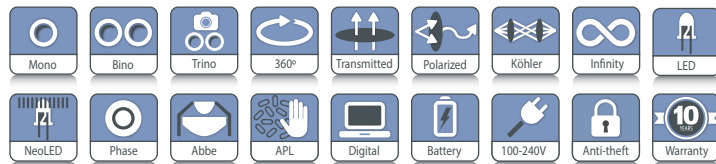
## bScope®

The well-equipped, versatile and evolvable microscopes of the bScope® series are intensively used in secondary schools, universities, small to mid-sized laboratories and for veterinary applications

Besides an excellent ergonomic design, these robust and attractively priced microscopes are available in several configurations for brightfield and phase contrast observation with HWF 10x/20 mm eyepieces



product information



● BS.1153-EPLi

**BS.1151-XXX MONOCULAR**  
385 (h) x 195 (w) x 235 (d) | 6.3 kg  
**BS.1152-XXX BINOCULAR**  
409 (h) x 195 (w) x 235 (d) | 6.5 kg  
**BS.1153-XXX TRINOCULAR**  
459 (h) x 195 (w) x 235 (d) | 6.6 kg



● BS.1152-PLi

● BS.1151-EPL

## SPECIFICATIONS

### EYEPIECE(S)

High wide field HWF 10x/20 mm secured eyepiece(s) with 20 mm field of view (Ø 23.2 mm tube). Eyepiece of monocular models is supplied with pointer

### HEAD

The bScope® is available with a monocular head (45° inclined Ø 23.2 mm tube) or with binocular or trinocular heads, equipped with a Siedentopf type head, 360° rotatable and equipped with 30° inclined Ø 23.2 mm tubes. Binocular and trinocular models have a diopter ± 5 adjustment on the left eyepiece. The interpupillary distance is adjustable between 48 to 76 mm. The models equipped with plan infinity corrected PLi objectives have a unique swiveling system of the eyepiece tubes for ergonomic positioning of both tubes in a high (431 mm) and in a low position (377 mm). The trinocular head comes with a Ø 23.2 mm tube, ensuring a maximum of flexibility. It has a fixed light path beam splitter (20:80) and generates an erect image

Models with an integrated USB-2.0 camera are supplied with a 5.0 MP 1/2.5" CMOS sensor with a resolution of 2592 x 1944 pixels (see chapter 3)

## HIGHLIGHTS

- Versatile and evolvable microscopes
- Monocular, binocular and trinocular models
- Digital models available
- HWF 10x/20 mm eyepieces
- Reversed ball-bearing quadruple or quintuple nosepiece
- E-plan, plan, E-plan IOS and plan IOS objectives
- E-plan phase, E-plan phase IOS, plan phase IOS objectives
- Integrated rackless X-Y mechanical stage
- 3 W NeoLED™ adjustable illumination system
- Integrated carrying grip
- Cable Storage System and anti-theft system
- 10 Years warranty

### NOSEPIECE

Revolving and reversed ball-bearing quadruple or quintuple nosepiece

### OBJECTIVES - 45 MM PARFOCAL

The state-of-the-art production techniques and multi layer coatings used for the manufacturing of the bScope® objectives enable the bScope® to be used for the highly demanding applications. World class spherical aberration correction and modern CNC and assembly technology ensure the perfect centering of the objectives

Brightfield models: E-plan, plan, E-plan IOS infinity corrected, plan IOS infinity corrected 4x/0.10, 10x/0.25, 20x/0.40, S40x/0.65, S60x/0.85 and S100x/1.25 oil immersion objectives  
Phase contrast models: E-plan phase, E-plan phase IOS infinity corrected, plan phase IOS infinity corrected 10x/0.25, 20x/0.40, S40x/0.65 and S100x/1.25 oil immersion objectives

*All S40x, S60x and S100x oil immersion objectives are spring loaded. All optics are anti-fungus treated and anti-reflection coated for maximum light throughput*



## FOCUSING

Double coaxial, low-positioned coarse and fine adjustments with 180 graduations. Precision 1.1 µm, 200 µm per rotation, total travel range approximately 19 mm. Supplied with an adjustable rack stop to prevent damage to sample and objectives. The coarse adjustment is equipped with friction control

## STAGE

The bScope® is equipped with a scratch resistant 152/197 x 131 mm stage with integrated 75 x 36 mm X-Y rackless mechanical stage, Vernier scale and soft-close removable specimen holder. The rackless stage has no protruding parts, enables smooth movements and is safer in use. Low-positioned X-Y control knobs prevent fatigue during long working sessions. The bScope® can be equipped with a heating stage which can be set up to 50° Celsius by a PID temperature controller. Only available with newly purchased microscopes

## CONDENSER FOR BRIGHTFIELD

The standard height adjustable Abbe N.A. 1.25 condenser for brightfield comes with an iris diaphragm and swing-out filter holder

## POLARIZATION

The bScope® has an integrated slot above the nosepiece for an optional polarization filter

## NEOLED™ ILLUMINATION

The 3 W adjustable Köhler NeoLED™ diascope illumination is powered by an internal 100-240 V power supply making it suitable for worldwide use. The innovative NeoLED™ design offers larger apertures, allowing the optical system of the bScope® microscope to produce images at higher resolutions, very close to the theoretical diffraction limit of the optics. Other benefits of the NeoLED™ is the low energy consumption, no heating and a long operating lifetime

## KÖHLER ILLUMINATION

A Köhler illumination ensures for all infinity corrected IOS models the highest possible contrast and the maximum achievable resolving power. It generates a uniform illumination of the sample and eliminates all interference from dust on lenses and side glare of the light source  
*The Köhler illumination is optional for non-IOS models*

## CORDLESS USE

The optional rechargeable AA batteries turn the bScope® into a cordless system

## CSS – CABLE STORAGE SYSTEM

Allows users to easily stow away excess cable length into the back of the instrument during operation and to roll up the power cable for easy storage

## CARRYING GRIP

The integrated carrying grip at the back of the microscope ensures safe transportation of the microscope

## ANTI-THEFT SLOT

At the back of the microscope a Kensington Security slot is placed, which can be used to secure the instrument from theft



Swing-out  
Abbe condenser  
0.9/1.25 NA



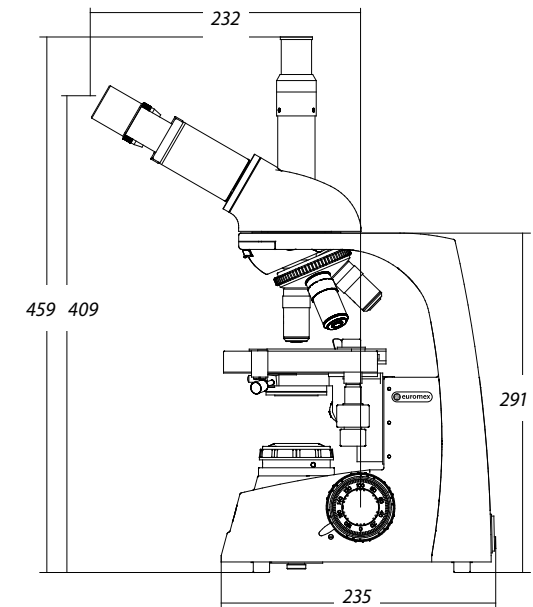
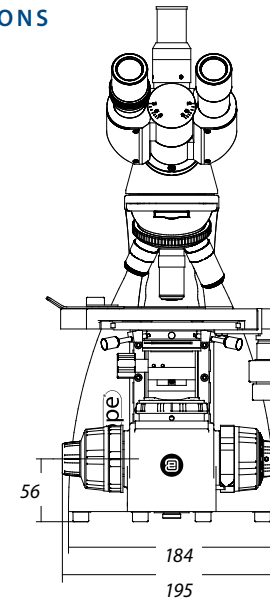
Ergonomic carrying  
grip for easy  
transportation

## PACKAGE CONTENT

Smart polystyrene packaging ensures a low environmental footprint while maintaining a maximum of safety during transport. Supplied with power cord, dust cover, tools, a spare fuse, white filter, user manual and 5 ml immersion oil

*Phase contrast models are supplied with green filter and alignment telescope*

## DIMENSIONS



## BSCOPE® FOR BRIGHTFIELD

MODELS	Mono	Bino	Trino	Digital **	HWF 10x/20 mm eyepieces	Quadruple nosepiece plan 4/10/ S40/S100x	Quadruple nosepiece E-plan 4/10/ S40/S100x	Quadruple nosepiece plan IOS 4/10/S40/ S100x	Quintuple nosepiece E-plan IOS 4/10/ S40/S100x	Quintuple nosepiece plan IOS 4/10/S40/ S100x	Neo- LED™	2-position swiveling ergo head
BS.1151-EPL	•				•		•				•	
BS.1152-EPL		•			•		•				•	
BS.1153-EPL			•		•		•				•	
BS.1152-EPLi		•			•				•		•*	•
BS.1153-EPLi			•		•				•		•*	•
BS.1157-EPLi				•	•				•		•*	•
BS.1152-PLi		•			•					•	•*	•
BS.1153-PLi			•		•					•	•*	•
BS.1157-PLi				•	•					•	•*	•
BS.1152-PLi/4N		•			•			•			•*	•
BS.1153-PLi/4N			•		•			•			•*	•

*All models are equipped with a 152/197 x 131 mm stage with integrated 75 x 36 mm X-Y rackless mechanical stage*

*\* Models are equipped with Köhler NeoLED™  
Rechargeable batteries are optional for all models*

## ACCESSORIES AND SPARE PARTS

### EYEPIECES

- BS.6010** HWF 10x/20 mm eyepiece, Ø 23.2 mm tube
- BS.6010-P** HWF 10x/20 mm with pointer, Ø 23.2 mm tube
- BS.6010-C** HWF 10x/20 mm eyepiece with crosshairs, Ø 23.2 mm tube
- BS.6010-CM** HWF 10x/20 mm eyepiece, Ø 23.2 mm tube with 10/100 micrometer and crosshairs
- BS.6012** WF 12.5x/14 mm eyepiece, Ø 23.2 mm tube
- BS.6015** WF 15x/11 mm eyepiece, Ø 23.2 mm tube
- BS.6020** WF 20x/11 mm eyepiece, Ø 23.2 mm tube
- BS.6099** Pair of eyecups for BS.6010
- BS.6099-S** Pair of eyecups for BS.6012 and BS.6015

### OBJECTIVES - 45 MM PARFOCAL

- BS.7104** E-plan EPL 4x/0.10 objective. WD 37.0 mm
- BS.7110** E-plan EPL 10x/0.25 objective. WD 6.61 mm
- BS.7120** E-plan EPL 20x/0.40 objective. WD 1.85 mm
- BS.7140** E-plan EPL S40x/0.65 objective. WD 0.64 mm
- BS.7160** E-plan EPL S60x/0.85 objective. WD 0.20 mm
- BS.7100** E-plan EPL S100x/1.25 objective. WD 0.19 mm
- 86.521** Plan PL S100x/1.25 oil immersion objective with built-in iris diaphragm. WD 0.33 mm
  
- BS.7204** Plan PL 4x/0.10 objective. WD 17.9 mm
- BS.7210** Plan PL 10x/0.25 objective. WD 8,8 mm
- BS.7220** Plan PL 20x/0.40 objective. WD 8,6 mm
- BS.7240** Plan PL S40x/0.65 objective. WD 0.56 mm
- BS.7260** Plan PL S60x/0.85 objective. WD 0.25 mm
- BS.7200** Plan PL S100x/1.25 oil immersion objective. WD 0.33 mm
  
- BS.7510** E-plan phase EPLPH 10x/0.25 objective. WD 5.95 mm
- BS.7520** E-plan phase EPLPH 20x/0.40 objective. WD 2.61 mm
- BS.7540** E-plan phase EPLPH S40x/0.65 objective. WD 0.66 mm
- BS.7500** E-plan phase EPLPH S100x/1.25 objective. WD 0.36 mm

- BS.8204** E-plan EPLi 4x/0.10 IOS objective. WD 18.9 mm
- BS.8210** E-plan EPLi 10x/0.25 IOS objective. WD 5.95 mm
- BS.8220** E-plan EPLi 20x/0.40 IOS objective. WD 2.61 mm
- BS.8240** E-plan EPLi S40x/0.65 IOS objective. WD 0.78 mm
- BS.8200** E-plan EPLi S100x/1.25 IOS objective. WD 0.36 mm
  
- BS.8404** Plan PLi 4x/0.10 IOS objective. WD 21.0 mm
- BS.8410** Plan PLi 10x/0.25 IOS objective. WD 5.0 mm
- BS.8420** Plan PLi 20x/0.40 IOS objective. WD 8.8 mm
- BS.8440** Plan PLi S40x/0.65 IOS objective. WD 0.66 mm
- BS.8460** Plan PLi S60x/0.85 infinity corrected IOS objective. WD 0.46 mm
- BS.8400** Plan PLi S100x/1.25 IOS objective. WD 0.36 mm

WD = Working distance

### CONDENSERS

- BS.9102** Abbe condenser 1,25 NA with slot for darkfield and phase contrast sliders
- BS.9170** Darkfield stop for BS.9102 condenser
- BS.9105** Swing-out Abbe condenser 0.9/1.25 NA
- BS.9164** Phase contrast kit with Abbe condenser with slot for slider. Plan PLPHi phase S40x contrast objectives, slider with 40x annuli only, telescope and green filter
- BS.9194** Slider with phase contrast annuli 40x. Needs BS.9102 condenser with slot

### ATTACHMENTS

- BS.9647** Polarizer for polarization Ø 16 mm for slider under bScope head
- BS.9651** Polarization attachment for lamphouse of bScope with 360° scale
- BS.9660** Polarization kit: analyzer under head and polarizer on lamphouse
- AE.5152-N** Small rotatable stage to be used with BS.9660
- BS.9880** Köhler attachment

### CAMERA ACCESSORIES

- AE.5130** Universal Ø 23.2 mm tube adapter with built-in 2x lens for SLR photo camera with APS-C sensor. Needs T2 adapter
- AE.5025** T2 adapter for Nikon D SLR digital camera
- AE.5040** T2 adapter for Canon EOS SLR digital camera

### MISCELLANEOUS

- BS.9577-L** Add-on price for left handed mechanical stage
- BS.9870** Mirror attachment for bScope
- BS.9900** Aluminum transport case
- AE.9919** Nylon bag for bScope. 58(h) x 32(w) x 24(d)
- BS.9993** NeoLED™ replacement unit
- AE.1370** Set of rechargeable AA batteries, 3 pieces
- AE.5226** Glass fuses 3A 250V, 10pcs

### DISPOSABLES

- PB.5155** Microscope slides 76 x 26 mm, ground edges, 50 pieces per pack
- PB.5157-W** Microscope slides 76 x 26 mm, ground edges. White frosted side, 50 pieces per pack
- PB.5157-B** Microscope slides 76 x 26 mm, ground edges. Blue frosted side, 50 pieces per pack
- PB.5160** Microscope slides 76 x 26 mm with cavity, grinded edges. 10 pieces per pack
- PB.5165** Cover glasses 18 x 18 mm, thickness 0.13-0.17 mm, 100 pieces
- PB.5168** Cover glasses 22 x 22 mm, thickness 0.13-0.17 mm, 100 pieces
- PB.5245** Lens cleaning paper, 100 sheets per pack
- PB.5255** Immersion oil (25 ml). n = 1.515
- PB.5274** Isopropyl alcohol 99% (200 ml)

- PB.5275** Cleaning kit: lens cleaning fluid, lint free lens tissue/paper, brush, air blower, cotton swabs
- PB.5276** Microscope maintenance and servicing kit, 16 pcs: cleaning brush, 6 pcs screwdriver set, air blower, 3 pcs Allen key, 1.5, 2, 2.5 mm, lens cleaning fluid 20 ml, cleaning cloth 140 x 140 mm, 100 pcs lens tissue sheets, tube of maintenance grease, 10 ml bottle of oil, packed in a nice toolbox

For phase contrast attachments and accessories see chapter 4



● AE.5152-N, small rotatable stage

● CSS – Cable Storage System

# BIOLOGICAL MICROSCOPES



● IS.1152-PLPHi

## HIGHLIGHTS

- EWF 10x/22 mm and EWF10x/20 mm eyepieces
- Binocular and trinocular models
- Optional multiheads
- Optional tilting head
- Quintuple reversed nosepiece
- E-plan, plan and plan phase objectives
- E-plan, plan and plan phase infinity corrected IOS objectives
- 156 x 138 mm stage or 187/230 x 140 mm rackless stage
- Intensity adjustable 3 W NeoLED™ Köhler illumination
- iCare sensor for energy saving
- CSS - Cable Storage System
- 10 Years warranty

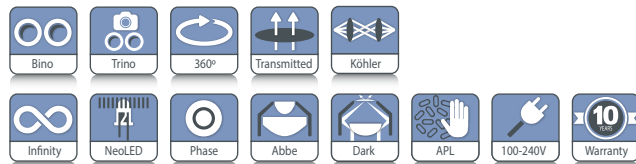
## iScope®

The iScope® microscopes exceed today's standard, as they provide more comfort and convenience for microscopists with ergonomic features such as height adjustable eye tubes and a large rackless stage with double slide holder. The modern design and compact size of the iScope® microscopes allow more working space, safer operation and enable easy storage

The iScope® series is available in various configurations, suitable for high schools, universities, and Life and Biomedical Sciences. Observation methods such as brightfield, phase contrast, cardioid mirror darkfield, basic polarization and fluorescence are available



product information



● IS.1153-PLi



IS.1153-PLi  
480 (h) x 210 (w) x 255 (d) mm | 9.0 kg

## SPECIFICATIONS

### EYEPIECES

Extended plan wide field EWF 10x/20 mm eyepieces with 20 mm field of view and adjustable diopter on the left eyepiece for non-infinity corrected systems (Ø 23.2 mm tube)

Extended plan wide field EWF 10x/22 mm eyepieces with 22 mm field of view and adjustable diopter on both eyepieces for infinity corrected IOS plan and plan phase systems and adjustable diopter on the left tube for EPLi systems (Ø 30 mm tube)

### HEAD

Binocular and trinocular Siedentopf type heads with 30° inclined tubes. Interpupillary distance from 48 to 76 mm. The trinocular head of the plan infinity corrected models (IS.1153-PLi) has an optical path selector (100:0 / 50:50) and ± 5 diopter adjustments on both Ø 30 mm tubes. The trinocular head of the E-plan infinity corrected models (IS.1153-EPLi) has a fixed built-in beam splitter (50:50) and ± 5 diopter adjustment on the Ø 30 mm left tube. The trinocular head of the E-plan finite models (IS.1153-EPL) has a fixed built-in 50:50 beam splitter and one ± 5 diopter adjustment on the Ø 23.2 mm left tube. A unique rotating

system allows the ergonomic positioning of both tubes in a high (431 mm) and in a low position (397 mm). The trinocular head comes with a Ø 23.2 mm photo port

### ERGONOMIC TILTING HEAD

Optional: the ergonomic 5 to 35° tilting head, supplied with EWF 10x/22 mm eyepieces, interpupillary distance 48-75 mm and optional photo attachment with standard Ø 23.2 mm tube (only infinity corrected models)

To order an iScope® with tilting head use reference IS.1158-xxx

To order an iScope® with tilting head and photo tube attachment use reference IS.1159-xxx

### FACE-TO-FACE HEADS

The iScope® can be supplied with two heads in a face-to-face configuration, allowing simultaneous observation by two operators. The Ø 30 mm tubes of the head are equipped with EWF 10x/20 mm eyepieces. Both heads have two diopter adjustments. Only available for the model with plan infinity corrected objectives (IS.1154-PLi/T). The face-to-face head is equipped with a 2-color laser pointer

## MULTIHEAD SYSTEM

The iScope® can be extended with a unique multihead system for in total 2, 3 or 5 heads, allowing simultaneous observation of specimens. The central attachment is equipped with a joystick to move a green and red laser pointer across the entire field of view of all heads. Configurations with one, two

or four additional viewing binocular heads, 30° inclined tubes and plan 4x, 10x, S40x, S100x oil immersion infinity corrected IOS objectives. Each extra viewing binocular head is equipped with extended wide field plan EWF 10x/22 mm eyepieces (references: IS.1156-PLi-x, x = total number of heads)

## OBJECTIVES - 45 MM PARFOCAL

E-Plan EPL	4x/0.10	10x/0.25	20x/0.40*	S40x/0.65	S100x/1.25 oil
E-Plan EPLi IOS	4x/0.10	10x/0.25	20x/0.40*	S40x/0.65	S100x/1.25 oil
Plan PLi IOS	4x/0.10	10x/0.25	20x/0.40*	S40x/0.65	S60x/0.85* S100x/1.25 oil
Plan phase PLPH		10x/0.25	20x/0.40	S40x/0.65	S100x/1.25 oil
Plan phase PLPHi IOS		10x/0.25	20x/0.40	S40x/0.65	S100x/1.25 oil

\* optional  
All optics are anti-fungus treated and anti-reflection coated for maximum light throughput

## NOSEPIECE

Revolving quintuple reversed nosepiece for a maximum of five objectives

## STAGE

The iScope® can be equipped with three types of stages: 156 x 138 mm stage equipped with integrated 79 x 52 mm X-Y mechanical stage  
187/230 x 140 mm rackless stage equipped with double slide holder and integrated 79 x 52 mm X-Y mechanical stage. The iScope® rackless stage has no protruding parts, enables more smooth movements and is safer  
220 x 157 mm ceramic stage with integrated 75 x 50 mm X-Y mechanical stage is protected against marks and scratches with a very tough ceramic surface. The surface also ensures stray light not to be reflected from the stage into the objective

The iScope® can be supplied with a heating stage which can be set up to 50° Celsius by a PID temperature controller. Only available with newly purchased microscopes. Higher temperatures can be achieved on special request

## CONDENSER FOR BRIGHTFIELD

The standard height adjustable Abbe N.A. 1.25 condenser for brightfield accepts sliders with phase annuli suitable for plan phase 10x/20x or S40x/S100x oil immersion IOS objectives for economical phase contrast. With magnification indication. A slider with a simple dark stop for darkfield up to 400x magnification is also available

## CONDENSER FOR ZERNIKE PHASE CONTRAST

An optional height adjustable Zernike NA. 1.25 phase contrast disc condenser with plan phase 10/20/S40x and S100x oil immersion objectives and darkfield stop position for darkfield contrast up to 400x magnification

## FOCUSING

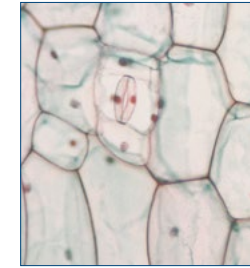
Coaxial coarse and fine adjustments, 200 graduations, 1 µm per graduation, 200 µm per rotation, total travel range is approximately 24 mm. Supplied with an adjustable rack stop to prevent damage to sample and objectives. The coarse adjustments are equipped with friction control

## ILLUMINATION

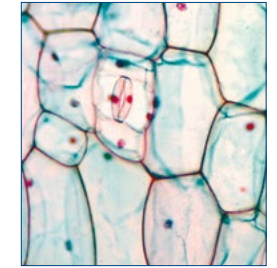
3 W adjustable Köhler NeoLED™ diascope illumination with internal 100-240 V power supply. The innovative NeoLED™ design offers larger apertures, allowing the optical system of the iScope® microscope to produce images at higher resolutions, very close to the theoretical diffraction limit of the optics. Other benefits of the NeoLED™ is the low energy consumption, no heating and a long operating life span. The Köhler illumination on models with IOS plan and plan phase infinity corrected system provides high contrast and a maximum achievable resolving power of the optics. Also available for other models as option

## ICARE SENSOR

The unique iCare Sensor is developed to avoid unnecessary loss of energy. The illumination of the microscope automatically switches off shortly after microscopists step away from their position



● Normal LED



● NeoLED™

## CSS – CABLE STORAGE SYSTEM

iScope® allows users to easily insert the power cable into the back of the instrument, which enables easy storage. The integrated carrying grip at the back of the microscope ensures safe transportation of the microscope

## PACKAGE CONTENT

Supplied with power cord, dust cover, a spare fuse, user manual and 5 ml immersion oil for models with S100x objective. All packed in polystyrene boxes



● IS.1152-EPL



● NeoLED™

**ISCOPE® FOR LIFE SCIENCE (FINITY MODELS)**

MODELS	Binocular	Trinocular	Phase contrast	EWF 10x20 mm	E-plan objectives	Plan phase objectives	Mechanical stage	iCare Sensor
IS.1152-EPL	•			•	•		•	•
IS.1153-EPL		•		•	•		•	•
IS.1153-PLPH		•	•	•		•	•	•

**ISCOPE® FOR LIFE SCIENCE (INFINITY MODELS)**

MODELS	Binocular	Trinocular	Phase contrast	EWF 10x22 mm	E-plan IOS objectives	Plan IOS objectives	Plan phase IOS objectives	Mechanical stage	iCare Sensor	Köhler LED
IS.1152-EPLi	•			•	•			•	•	
IS.1153-EPLi		•		•	•			•	•	
IS.1152-PLi	•			•*		•		•	•	•
IS.1153-PLi		•		•*		•		•	•	•
IS.1152-PLPHi	•		•	•*			•	•	•	•
IS.1153-PLPHi		•	•	•*			•	•	•	•

\*Two tubes with diopter adjustments

**ISCOPE® FOR LIFE SCIENCE (INFINITY - ERGONOMIC TILTING HEAD)**

MODELS	Bino	Photo attachment	Phase contrast	EWF 10x22 mm	E-plan IOS 4x/10x/ 40x/ 100x objectives	Plan IOS 4x/10x/ 40x/ 100x objectives	Plan phase IOS 10x/20x/ 40x/ 100x objectives	Mechanical rackless stage	iCare Sensor	Köhler LED
IS.1158-EPLi	•			•	•			•	•	
IS.1159-EPLi	•	•		•	•			•	•	
IS.1158-PLi	•			•		•		•	•	•
IS.1159-PLi	•	•		•		•		•	•	•
IS.1158-PLPHi	•		•	•			•	•	•	•
IS.1159-PLPHi	•	•	•	•			•	•	•	•

**ISCOPE® FOR LIFE SCIENCE (MULTIHEAD SYSTEMS)**

MODELS	Total users	Binocular	Trinocular	EWF 10x20 mm	Plan IOS objectives	Mechanical rackless stage	iCare sensor	Köhler LED
IS.1156-PLi2	2	1x	•	•	•	•	•	•
IS.1156-PLi3	3	2x	•	•	•	•	•	•
IS.1156-PLi5	5	4x	•	•	•	•	•	•
IS.1156-PLi9	9	8	•	•	•	•	•	•

**ISCOPE® FOR LIFE SCIENCE (FACE-TO-FACE DUAL HEAD SYSTEM)**

MODEL	Total users	Binocular EWF 10x/20 mm	Trinocular EWF 10x/20 mm	Plan IOS 4x/10x/ 40x/100x objectives	Mechanical rackless stage	iCare sensor	Köhler LED
IS.1154-PLi/T	2	1x	1x	•	•	•	•



● IS.115x-EPL stage



● IS.115x-PLi rackless stage

**ACCESSORIES AND SPARE PARTS**

**EYEPIECES**

- IS.6010** EWF 10x/20 mm eyepiece (Ø 23.2 mm tube)
- IS.6010-P** EWF 10x/20 mm eyepiece with pointer (Ø 23.2 mm tube)
- IS.6010-C** EWF 10x/20 mm eyepiece with crosshairs (Ø 23.2 mm tube)
- IS.6010-CM** EWF 10x/20 mm eyepiece with 10/100 micrometer and cross (Ø 23.2 mm tube)
- IS.6015** WF 15x/16 mm eyepiece (Ø 23.2 mm tube)
- IS.6099** Pair of eyecups, Ø 23.2 mm tube
- IS.6210** EWF 10x/22 mm eyepiece (Ø 30mm tube)
- IS.6210-C** EWF 10x/22 mm eyepiece with crosshairs (Ø 30 mm tube)
- IS.6210-P** EWF 10x/22 mm eyepiece with pointer (Ø 30 mm tube)
- IS.6210-CM** EWF 10x/22 mm eyepiece with 10/100 micrometer and crosshairs (Ø 30 mm tube)
- IS.6212** WF 12.5x/17 mm eyepiece (Ø 30 mm tube)
- IS.6215** WF 15x/16 mm eyepiece (Ø 30 mm tube)
- IS.6215-CM** WF 15x/16 mm eyepiece with 10/100 micrometer and crosshairs (Ø 30 mm tube)
- IS.6220** WF 20x/12 mm eyepiece (Ø 30 mm tube)
- IS.6299** Pair of eyecups for infinity models (Ø 30 mm tube)

**OBJECTIVES - 45 MM PARFOCAL**

- IS.7104** E-plan EPL 4x/0.10 objective. WD 15.2 mm
- IS.7110** E-plan EPL 10x/0.25 objective. WD 5.5 mm
- IS.7120** E-plan EPL 20x/0.40 objective. WD 3.5 mm
- IS.7140** E-plan EPL S40x/0.65 objective. WD 0.45 mm
- IS.7160** E-plan EPL S60x/0.85 objective. WD 0.19 mm
- IS.7100** E-plan EPL S100x/1.25 objective. WD 0.13 mm
- IS.7710** Plan PLPH 10x/0.25 phase contrast objective. WD 12.2 mm
- IS.7720** Plan PLPH 20x/0.40 phase contrast objective. WD 5 mm
- IS.7740** Plan PLPH S40x/0.65 phase contrast objective. WD 0.37 mm
- IS.7700** Plan PLPH S100x/1.25 oil phase contrast objective. WD 0.13 mm
- IS.8804** E-plan EPLi 4x/0.10 IOS objective. WD 15.4 mm
- IS.8810** E-plan EPLi 10x/0.25 IOS objective. WD 5.8 mm
- IS.8840** E-plan EPLi S40x/0.65 IOS objective. WD 0.43 mm
- IS.8800** E-plan EPLi S100x/1.25 IOS objective. WD 0.13 mm
- IS.7202** Plan PLi 2x/0.05 IOS objective, WD 18.3 mm. Best to be used together with swing-out condenser

- IS.7204** Plan PLi 4x/0.10 IOS objective. WD 15.4 mm
- IS.7210** Plan PLi 10x/0.25 IOS objective. WD 10 mm
- IS.7220** Plan PLi 20x/0.40 IOS objective. WD 5.1 mm
- IS.7240** Plan PLi S40x/0.65 IOS objective. WD 0.54 mm
- IS.7260** Plan PLi S60x/0.85 IOS objective. WD 0.14 mm
- IS.7200** Plan PLi S100x/1.25 IOS objective. WD 0.13 mm

- IS.8910** Plan PLPHi 10x/0.25 phase contrast IOS. WD 10.2 mm
- IS.8920** Plan PLPHi 20x/0.40 phase contrast IOS. WD 5.1 mm
- IS.8940** Plan PLPHi S40x/0.65 phase contrast IOS. WD 0.5 mm
- IS.8900** Plan PLPHi S100x/1.25 oil phase contrast IOS. WD 0.13 mm

#### CONDENSERS

- IS.9102** Standard Abbe condenser 1.25 NA with slot for darkfield and phase contrast sliders
- IS.9105** Swing-out 0.9/1.25 N.A. condenser
- IS.9170** Slider with darkfield stop

#### PHASE CONTRAST ATTACHMENTS

- IS.9124** Zernike phase contrast set including rotating disc with PLPH 10/20/40/100, brightfield and darkfield position
- IS.9127** Zernike phase contrast set including rotating disc with PLPH 10/20/40/100, brightfield and darkfield position
- IS.9148** Alignment telescope for phase contrast, Ø 30 mm tube
- IS.9149** Alignment telescope for phase contrast, Ø 23.2 mm tube
- IS.9190** Slider with phase contrast annuli for 10x and S40x phase contrast objective
- IS.9192** Slider with phase contrast annuli for 20x and S100x phase contrast objective
- IS.9194** Slider with phase contrast annuli for S40x phase contrast objective

#### FILTERS

- IS.9600** Polarization filter 45 mm for lamphouse
- IS.9601** Polarization set: simple rotating polarizer for lamphouse and fixed polarizer mounted under head
- IS.9626** Polarization filter for mounting under the head
- IS.9700** Blue filter 45 mm for lamphouse
- IS.9702** Green filter 45 mm for lamphouse
- IS.9704** Yellow filter 45 mm for lamphouse
- IS.9706** White opaque filter 45 mm for lamphouse

#### MISCELLANEOUS

- IS.9501-ADD** Stage with ergonomical low-positioned X-Y adjustments of mechanical stage. Right handed. Add-on price, only with new microscopes
- IS.4300** Aluminum transport case for iScope
- IS.9880** Köhler attachment
- AE.3684** Glass fuses 500 mA 250 V, 10 pieces
- SL.5500** NeoLED™ replacement unit



● IS.9501-ADD Stage with ergonomical low-positioned X-Y adjustments

#### CAMERA ACCESSORIES

- AE.5130** Universal SLR adapter with built-in 2x lens for standard 23.2 mm tube. Needs T2 adapter
- AE.5025** T2 adapter for Nikon D SLR digital camera
- AE.5040** T2 adapter for Canon EOS SLR digital camera

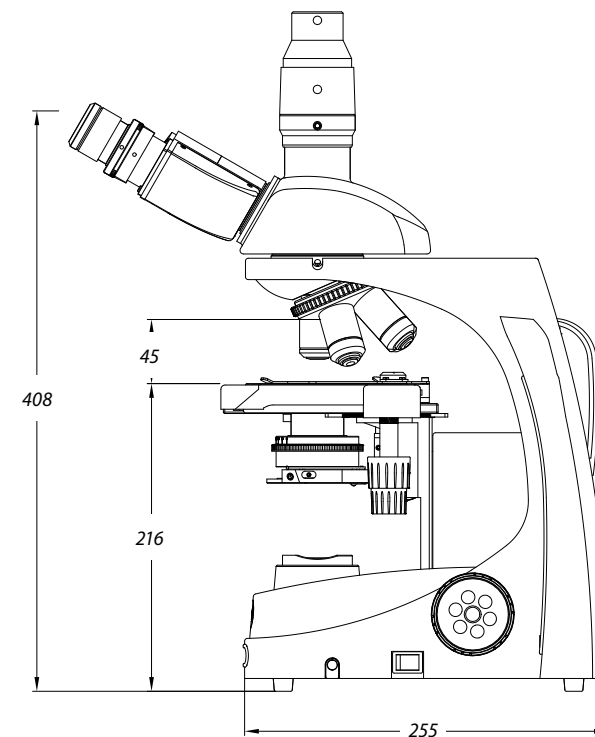
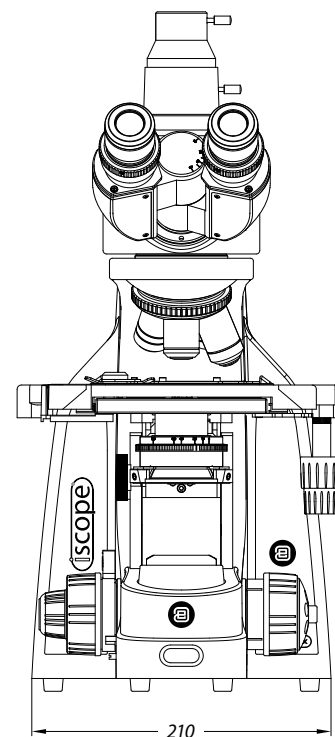
#### DISPOSABLES

- PB.5155** Microscope slides 76 x 26 mm, ground edges, 50 pieces per pack
- PB.5157-W** Microscope slides 76 x 26 mm, ground edges and frosted side white color, 50 pieces per pack
- PB.5157-B** Microscope slides 76 x 26 mm, ground edges and frosted side blue color, 50 pieces per pack
- PB.5165** Cover glasses 18 x 18 mm, 0.13-0.17 mm, 100 pieces

- PB.5168** Cover glasses 22 x 22 mm, 0.13-0.17 mm, 100 pieces
- PB.5245** Lens cleaning paper, 100 sheets per pack
- PB.5255** Immersion oil, 25 ml. Refraction index n = 1.515
- PB.5274** Iso propyl alcohol 99%, 200 ml
- PB.5275** Cleaning kit: lens fluid, lint free lens tissue/paper, brush, air blower, cotton swabs
- PB.5276** Microscope maintenance and servicing kit, 16 pcs: cleaning brush, 6 pcs screwdriver set, air blower, 3 pcs Allen key, 1.5, 2, 2.5 mm, lens cleaning fluid 20 ml, cleaning cloth 140 x 140 mm, 100 pcs lens tissue sheets, tube of maintenance grease, 10 ml bottle of oil, packed in a nice toolbox



#### DIMENSIONS



# education

## stereo microscopes



stereo microscopes



product information

Euromex stereo microscopes are ideal instruments for most demanding teaching classes.

The high-resolution three-dimensional images generated by these robust, student-friendly microscopes make them highly appreciated by both teachers and students

Digital models with built-in camera and measuring software are also available

**EDUBLUE • PAGE 48**  
**STEREOBLUE • PAGE 54**  
**NEXIUSZOOM • PAGE 60**  
**AP SERIES • PAGE 68**

# STEREO MICROSCOPES



● Rack & pinion stand model ED.1802-S



## EduBlue

The EduBlue microscopes are ideal for educational purposes and available from 5x up to 80x magnifications

The two parallel optical trains allow the three-dimensional observation of small insects, plants, stones and minerals



Bino	Trino	Transmitted	Incident
LED	APL	Digital	USB
Battery	100-240V	Anti-theft	5 Years Warranty

<b>ED.1302-P / ED.1402-P</b> 225 (h) x 175 (w) x 220 (d)   2.4 kg
<b>ED.1302-S / ED.1402-S</b> 260 (h) x 175 (w) x 220 (d)   2.1 kg
<b>ED.1505-S / ED.1805-S</b> 260 (h) x 175 (w) x 220 (d)   2.3 kg

## HIGHLIGHTS

- Designed for education
- Robust and sturdy, with secured eyepieces
- WF 10x/20 mm eyepieces
- Dual or triple magnifications
- Binocular and trinocular models available
- Available in ergonomic rack & pinion and pillar stands
- Double 1 W LED illumination
- Supplied with rechargeable AA batteries for cordless use
- Digital models with 5.0 MP camera available
- Ergonomic carrying grip
- 5 Years warranty

## SPECIFICATIONS

### EYEPIECES

Pair of secured WF 10x/20 mm eyepieces supplied with eyecups

### HEAD

- Binocular head with 45° inclined tube.  
Diopter adjustment of ± 5 on one side
- Trinocular head with 45° inclined tubes and 23.2mm tube.  
The standard trinocular tube accepts all standard 23.2 mm C-mount objectives
- Interpupillary distance adjustable between 55 and 75 mm
- Digital head is supplied with a 5.0 MP USB-2.0 1/2.8" CMOS camera
- A maximum of resolution of 2560 x 1920 pixels

### DUAL MAGNIFICATION OBJECTIVES

- Revolving nosepiece with dual 1x/3x and 2x/4x magnifications objectives, which can provide standard magnifications of 10x and 30x or 20x and 40x
- Working distance 60 mm
- Field of view of 20/6.7 mm or 10/5 mm
- Magnifications can be altered using optional eyepieces



● Pillar stand model ED.1302-P

All optics are anti-fungus treated and anti-reflection coated for maximum light throughput

### TRIPLE MAGNIFICATION OBJECTIVES

- Revolving nosepiece with triple 1x/2x/3x and 1x/2x/4x magnifications objectives, which can provide standard magnifications of 10x, 20x and 30x or 10x, 20x and 40x
- Working distance 60 mm
- Fields of view of 20/10/6.7 mm or 20/10/5mm
- Magnifications can be altered using optional eyepieces

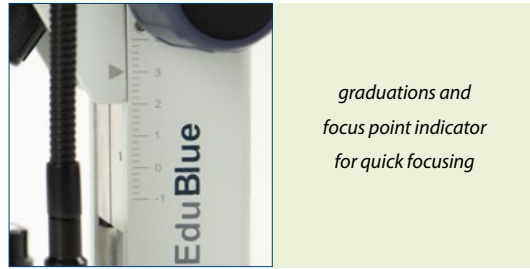


Revolving nosepiece with triple magnification



### STAND

The rack & pinion and pillar stands of the EduBlue are equipped with ergonomic flat bases, complete with two object clamps and Ø 60 mm transparent and black/white stage plates. The coarse adjustment is equipped with tension control. The stands are alloy metal casted with hardened coating. The rack & pinion models have graduations and focus point indicator for quick focusing. The EVO models are equipped with a build-in movable object stage



*graduations and focus point indicator for quick focusing*

### ILLUMINATION

The transmitted and incident 1 W LED illuminations can be used simultaneously and the light intensities can be adjusted separately. Supplied with an external 100-240 V mains adapter/charger and three rechargeable AA batteries for corded and cordless use. Evo models have an additional flexible arm with 1 W LED illumination



*The build-in movable object stage of the EVO*

● ED.1402-EVO

### DIGITAL MODELS

Digital models are equipped with a 5 MP USB-2.0 1/2.8 inch sensor CMOS camera. Maximum resolution is 2560 x 1920 pixels, smaller resolutions are selectable. Delivered with ImageFocus Plus for capturing of images and videos. This software also allows a full range of analyzing tools such as measurements on still and live images and annotations on captured images. *For more information see chapter 3: Digital solutions*

### ANTI-THEFT SLOT

At the back of the microscope a Kensington Security slot is placed, which can be used to secure the instrument from theft

### PACKAGE CONTENT

Supplied with 100-240 V mains adapter/charger, three rechargeable AA batteries, dust cover, eyecups and user manual. All packed in a polystyrene box



● ED.1303-S Trinocular model

MODELS	Bino	Trino	Digital head	1x/3x objectives	2x/4x objectives	1x/2x/3x objectives	1x/2x/4x objectives	Pillar stand	Rack & pinion stand	Movable stage/ flexible light arm
ED.1302-P	•			•				•		
ED.1302-S	•			•					•	
ED.1303-S		•		•						•
ED.1305-S			•	•						•
ED.1402-P	•				•			•		
ED.1402-S	•				•				•	
ED.1403-S		•			•					•
ED.1405-S			•		•					•
ED.1502-S	•					•				•
ED.1505-S			•			•				•
ED.1802-S	•						•			•
ED.1805-S			•				•			•
ED.1302-EVO	•			•						•
ED.1402-EVO	•				•					•

## ACCESSORIES AND SPARE PARTS

### EYEPIECES

- ED.6005** Pair of HWF 5x/22 mm eyepieces
- ED.6010** Pair of HWF 10x/20 mm eyepieces
- ED.6015** Pair of HWF 15x/12 mm eyepieces
- ED.6020** Pair of HWF 20x/10 mm eyepieces
- ED.6110** HWF 10x/20 mm eyepiece with 10 mm/100 micrometer
- ED.6099** Pair of eyecups

### MISCELLANEOUS

- ED.9570** Pair of object clamps for stage
- ED.9950** Stage plate frosted glass, opaque, Ø 60 mm
- ED.9956** Stage plate black/white, Ø 60 mm
- ED.4300** Aluminum transport case for EduBlue microscopes
- AE.1112** Micrometer 76 x 26 mm slide, 50 mm/50 divisions
- SL.5504** LED replacement unit, incident illumination
- SL.5505** LED replacement unit, transmitted illumination

### DISPOSABLES

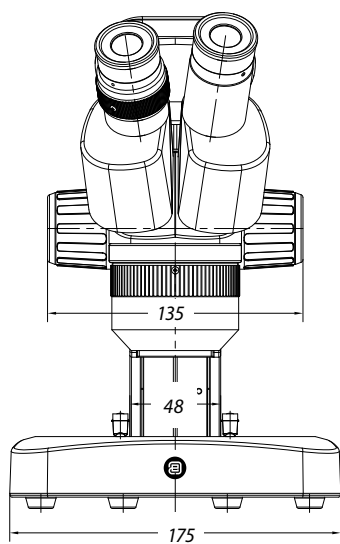
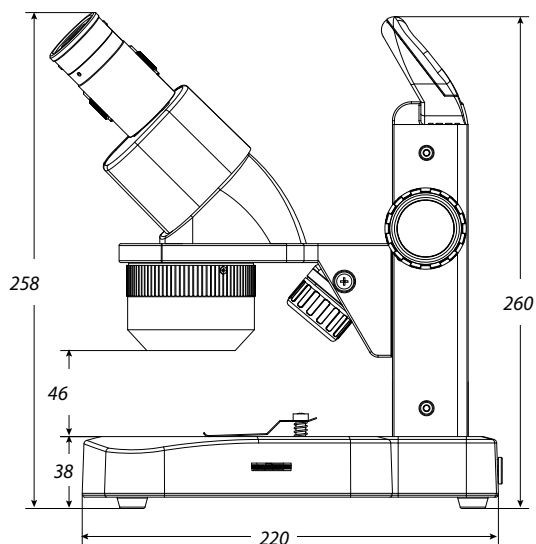
- PB.5245** Lens cleaning paper, 100 sheets per pack
- PB.5274** Isopropyl alcohol 99% (200 ml)
- PB.5275** Cleaning kit: lens cleaning fluid, lint free lens tissue, brush, air blower, cotton swabs
- PB.5276** Microscope maintenance and servicing kit, 16 pcs: cleaning brush, 6 pcs screwdriver set, air blower, 3 pcs Allen key, 1.5, 2, 2.5 mm, lens cleaning fluid 20 ml, cleaning cloth 140 x 140 mm, 100 pcs lens tissue sheets, tube of maintenance grease, 10 ml bottle of oil, packed in a nice toolbox



● ED.1505-S



### DIMENSIONS



## about APL

# Antibacterial Protection Layer

TECHNICAL  
FACTS

### WHAT IS APL?

Using the same technology already used extensively throughout the healthcare environment in wall coatings, patient lighting, air pressure stabilization and suction liners, APL additives offer an excellent additional measure to routine infection control; working 24/7 to resist the growth of microbes



which have health and environmental concerns. The additives we use are non-leaching and non-sensitizing

### WILL APL WEAR OFF?

Once APL has been incorporated into a material it is essentially there to stay. Recent independent testing of a new paint range demonstrated no loss in antimicrobial performance even after 10 years of accelerated ageing.

The antimicrobial performance of the end product is confirmed by independent laboratory testing to the international standards (JIS and ISO) and is typically proven to be up to 99.99% effective against MRSA and E.coli. Testing has also been carried out against many other organisms, including Legionella, Campylobacter and Candida

Ionic silver based additives will not lose efficacy due to leaching or migration, and since they are evenly dispersed throughout the material even scratches and abrasion do not affect the antimicrobial performance

### HOW DOES IT WORK?

Silver ions embedded in the material substrate are released via ambient moisture and enter the cell membrane. The silver ions destabilize the cell by inhibiting cell division and replication of DNA, eventually killing the cell

### DO CLEANING PRODUCTS AFFECT APL?

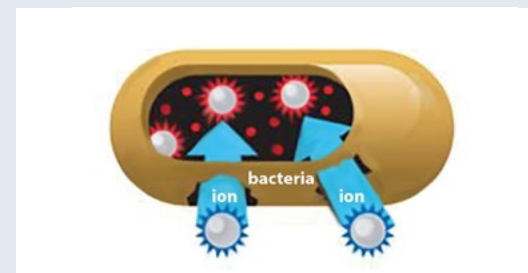
APL additives are embedded into the base material or coating and are therefore unaffected by abrasion or cleaning chemicals, such as chlorine bleach, disinfectants and alcohol. Even harsh industrial products, like MEK (methyl ethyl ketone), do not diminish the antimicrobial properties of products containing APL

### IS APL SAFE?

The products offering APL protection use an additive based on ionic silver, which holds extensive approvals including those for food contact. All of the active substances we use are approved by the EFSA and FDA, and are supported for inclusion on the European Biocidal Product Regulation. We do not use nano-silver, triclosan or other organic antimicrobial additives

### LAST BUT NOT LEAST

APL is effective against a broad range of bacteria, including those responsible for illness, infection, odours, staining and material degradation. The purpose of APL is not to create a sterile environment or negate the need for routine cleaning, but to provide a useful complementary measure to normal hygiene practices



# STEREO MICROSCOPES



## StereoBlue

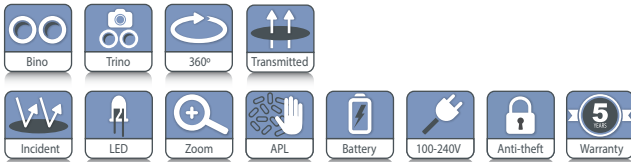
StereoBlue microscopes are developed especially for laboratory applications, education, and are greatly appreciated by biologists, entomologists, geologists, mechanical and electronic engineers and other professionals such as jewelers and dental technicians



● SB.1903



product information



<b>SB.1903</b>
330 (h) x 220 (w) x 266 mm (d)   4.4 kg
<b>SB.1903-P</b>
299 (h) x 220 (w) x 266 mm (d)   5.1 kg
<b>SB.1302/SB.1402</b>
330 (h) x 220 (w) x 266 mm (d)   4.0 kg
<b>SB.1302-P/SB.1402-P</b>
299 (h) x 220 (w) x 266 mm (d)   4.7 kg

## HIGHLIGHTS

- Designed for professional use
- Robust and sturdy
- WF 10x/21 mm eyepieces
- Dual magnifications or zoom models
- Available in ergonomic rack & pinion, pillar, universal and boom stands
- Double 3 W LED illumination
- Also available with batteries
- Ergonomic carrying grip
- 5 Years warranty

## SPECIFICATIONS

### EYEPIECES

Pair of WF 10x/21 mm eyepieces supplied with eyecups

### HEAD

- Binocular or trinocular 45° inclined tubes
- Diopter adjustment on both eyepieces, except the models SB.1302-P/1402-P and SB.1302 /1402 , which have diopter adjustment on one side
- Interpupillary distance adjustable between 55 mm and 75 mm
- Trinocular head is supplied with a fixed light path beam splitter (50:50)

*All optics are anti-fungus treated and anti-reflection coated for maximum light throughput*

### DUAL MAGNIFICATION OBJECTIVES

- Nosepiece with dual 1x/3x or 2x/4x revolving objectives
- Magnifications 10x/30x or 20x/40x
- Field of view 21 mm/6.9 mm or 10.5 mm/5.2 mm
- Working distance 100 mm

### ZOOM OBJECTIVE

- Zoom stereo 0.7x to 4.5x parfocal objective
- Magnification from 7x to 45x
- Field of view 29.9 mm to 4.6 mm
- Working distance 100 mm



● Universal stand model SB.1902-U

### STAND

The rack & pinion and pillar stands of the StereoBlue are equipped with ergonomic flat bases, complete with two object clamps and Ø 60 mm transparent and a black/white stage plate. The coarse adjustment is equipped with tension control

The ergonomically designed universal (single arm) and boom stand (dual arm) are ideal for looking at large samples or working under the microscope. They come without illumination. Suitable for e.g. ring illuminators LE.1973 and LE.1974. The stands are alloy metal casted with hardened coating



Built-in ring light with 30 intensity adjustable LED's

## ILLUMINATION

3 W transmitted and incident LED illuminators which can be used simultaneously. Model SB.3903 and SB.3903-P are equipped with 3 W transmitted and incident LED illuminators and a built-in 30 LED ring light incident illuminator. The light intensities can be adjusted separately. Also available with batteries (add "B" after article number, e.g. SB.1302-PB)

## CAMERAS

Euromex offers a wide range of cameras, see chapter 3 (Digital Solutions)

## ANTI-THEFT SLOT

At the back of the microscope a Kensington Security slot is placed, which can be used to secure the instrument from theft (not on the U- and B-models)

## PACKAGE CONTENT

Models with illumination are supplied with power cord, dust cover, eyecups, a spare fuse, Ø 60 mm transparent and black/ white stage plates and user manual. All packed in a polystyrene box



● SB.1302

● SB.1402-P

● SB.3903-P

MODELS	Bino	Trino	1x/3x objective	2x/4x objective	0.7 - 4.5x zoom	Rack & pinion stand 3 W LED	Pillar stand 3 W LED	Universal stand	Boom stand on heavy base plate	30 LED right light	Weight (kg)
SB.1302	•		•			•					3.3
SB.1302-P	•		•				•				4.2
SB.1402	•			•		•					3.3
SB.1402-P	•			•			•				4.2
SB.1902	•				•	•					3.6
SB.1902-P	•				•		•				4.4
SB.1902-U	•				•			•			15.4
SB.1902-B	•				•				•		21.9
SB.1903		•			•	•					3.7
SB.1903-P		•			•		•				4.5
SB.1903-U		•			•			•			15.5
SB.1903-B		•			•				•		22.0
SB.3903		•			•	•				•	3.7
SB.3903-P		•			•		•			•	4.5

## MAGNIFICATIONS

### WORKING DISTANCES AND FIELD OF VIEW SPECIFICATIONS

#### EYEPIECES - 10X/21 MM

Magnification additional lens	Working distance	Minimum magnification	Maximum magnification	Maximum field of view	Minimum field of view
0.5	179	3.5	22.5	59.9	9.3
0.75	105	5.3	33.8	40.0	6.2
Standard	100	7.0	45.0	30.0	4.6
1.5	53	10.5	67.5	19.9	3.1

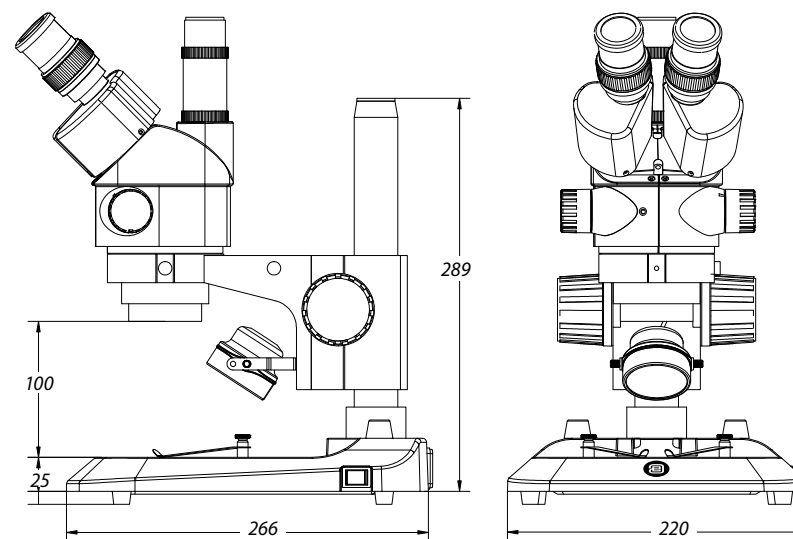
#### EYEPIECES - 15X/15 MM

Magnification additional lens	Working distance	Minimum magnification	Maximum magnification	Maximum field of view	Minimum field of view
0.5	179	5.3	33.8	42.9	6.7
0.75	105	7.9	50.6	28.6	4.4
Standard	100	10.5	67.5	21.4	3.3
1.5	53	15.8	101.3	14.3	2.2

#### EYEPIECES - 20X/10 MM

Magnification additional lens	Working distance	Minimum magnification	Maximum magnification	Maximum field of view	Minimum field of view
0.5	179	7.0	45.0	28.6	4.4
0.75	105	10.5	67.5	19.0	3.0
Standard	100	14.0	90.0	14.3	2.2
1.5	53	21.0	135.0	9.5	1.5

## DIMENSIONS



## ACCESSORIES AND SPARE PARTS

### EYEPIECES

- SB.6210** Pair of HWF 10x/21 mm eyepieces
- SB.6210-C** WF 10X/21 mm eyepiece with crosshairs
- SB.6210-M** WF 10X/21 mm eyepiece with micrometer scale
- SB.6015** Pair of HWF 15x/15 mm eyepieces
- SB.6015-C** WF 15X/15 mm eyepiece with crosshairs
- SB.6015-M** WF 15X/15 mm eyepiece with micrometer scale
- SB.6020** Pair of HWF 20x/10 mm eyepieces
- SB.6020-C** WF 20/10 mm eyepiece with crosshairs
- SB.6020-M** WF 20/10 mm eyepiece with micrometer scale
- SB.6099** Pair of eyecups

### AUXILIARY LENSES

- SB.8903** Auxiliary 0.3x lens for zoom models, WD 287 mm. Only suitable for boom and articulated stands
- SB.8905** Auxiliary 0.5x lens for zoom models, WD 179 mm. Not suitable for SB.1X02, SB.1X03, SB.3903 and SB.3903-P
- SB.8907** Auxiliary 0.75x lens for zoom models, WD 105 mm
- SB.8915** Auxiliary 1.5x lens for zoom models, WD 53 mm. Not suitable for SB.39xx

### MISCELLANEOUS

- SB.8950** Protection glass window for StereoBlue
- SB.9020** Universal single-arm stand without head holder and without illumination
- SB.9030** Universal double-arm stand without head holder and without illumination
- SB.9090** Head holder for SB.9020
- SB.9040** Darkfield attachment for StereoBlue, only for -S and -P models
- SB.9045** Fall protection ring for StereoBlue pillars. Note: the one- and double arm stands are as a standard supplied with this ring
- SB.9520** Polarization kit for StereoBlue: 360° rotatable circular stage with built-in polarization filter (SB.9524) and analyzer in mount to be screwed under the head (SB.9525)
- SB.9524** 360° rotatable circular stage with built-in polarization filter for StereoBlue

- SB.9525** 360° rotatable analyzer in mount to be screwed under the head of StereoBlue
- SB.9570** Pair of object clamps for stage
- SB.9952** Stage plate transparent, Ø 60 mm
- SB.9956** Stage plate black/white, Ø 60 mm
- SB.9983-R** 3 W LED replacement unit for StereoBlue, incident illumination
- SB.9983** 3 W LED replacement unit for StereoBlue, transmitted illumination
- AE.1112** Micrometer 76 x 26 mm slide, 50 mm/50 divisions

### CAMERA ACCESSORIES

- SB.9850** C-mount adapter with 0.5x lens for 1/2" cameras. Only for trinocular models
  - AE.5130** Universal SLR camera adapter with 2x projection lens for 23.2 mm tubes. Needs T2 adapter
  - AE.5025** T2 adapter for Nikon D digital SLR cameras
  - AE.5040** T2 adapter for Canon EOS digital SLR cameras
- Other T2 adapters on request*

### DISPOSABLES

- PB.5245** Lens cleaning paper, 100 sheets per pack
- PB.5274** Isopropyl alcohol 99% (200 ml)
- PB.5275** Cleaning kit: lens cleaning fluid, lint free lens tissue, brush, air blower, cotton swabs

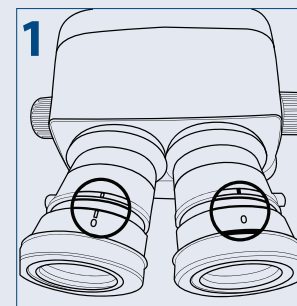


● SB.1903-B

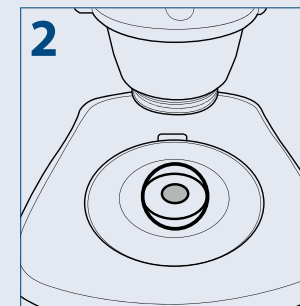
## how to set up a stereo microscope

QUICK  
INSTALLATION

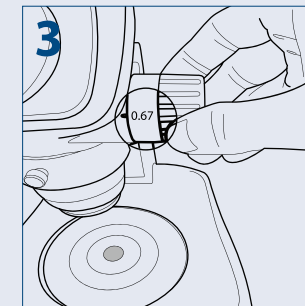
Setting up your stereo microscope properly is essential to getting parfocal images during the entire zoom range. It also prevents head aches, stressful eyes and fatigue. Below you will find a setup guide that will help get the best out of your microscope



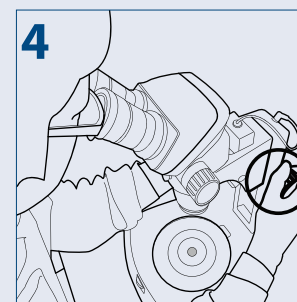
Turn the diopter adjustment rings of both eyepieces to position "0"



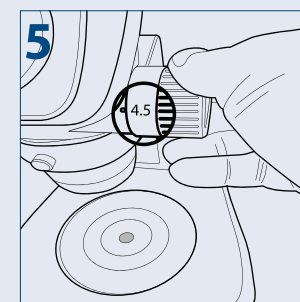
Put a specimen on the stage plate



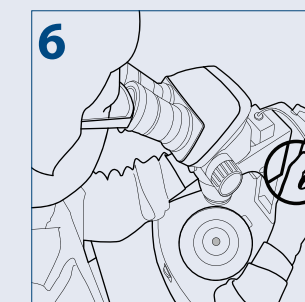
Turn the zoom adjustment knob to the lowest magnification



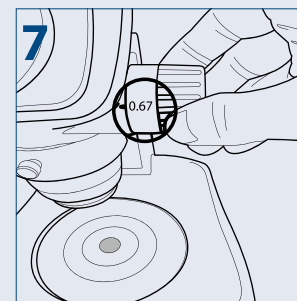
Rotate the focus adjustment knob to bring the specimen into focus



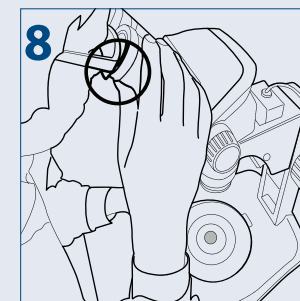
Turn the zoom adjustment knob to the highest magnification



Rotate the focus adjustment knob to bring the specimen into focus



Turn the zoom adjustment knob to the lowest magnification



Rotate the diopter adjustment rings of the left and right eyepiece to bring the specimen into focus

### PLEASE NOTE

Put the zoom adjustment knob at the highest magnification again and check the image focusing. The diopter adjustment is complete when the image is accurately focused during zooming

If not, please repeat steps 3 to 8

STEREO MICROSCOPES



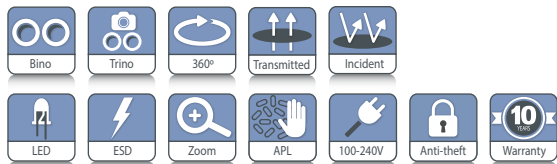
NexusZoom (EVO)

The NexusZoom and NexusZoom EVO stereo microscopes allow you to examine your specimen with high precision, generating three-dimensional images, suitable for your highest demanding applications. These top level zoom microscopes are perfect for analyzing all kinds of material surfaces or observing and preparing biological samples

These stereo microscopes can be supplied with a large choice of stands, with or without LED illumination. Ideal for a wide variety of applications. With additional lenses and objectives magnifications from 3.3 up to 220x can be achieved



product information



NZ.1903-S



**NZ.1903-S / NZ.1703-S**  
339 (h) x 256 (w) x 311 mm (d) | 5.1 kg  
**NZ.1903-P / NZ.1703-P**  
299 (h) x 256 (w) x 311 mm (d) | 5.2 kg  
For weight of other products see table



HIGHLIGHTS

- Binocular and trinocular heads with HWF 10x/22 mm or HWF 10x/23 mm eyepieces
- Zoom ratio 1 : 6.7, 6.7x to 45x or 1 : 8.4, 6.5x to 55x
- Ergonomic stands
- Double 3 W LED illuminations
- Configurations up to 220x magnification
- Large working distance (WD)
- 10 Years warranty



NZ.1903-PG

NZ.1903-M

SPECIFICATIONS

EYEPIECES

The standard NexusZoom is supplied with a pair of HWF 10x/22 mm eyepieces. The NexusZoom EVO is supplied with a pair of HWF 10x/23 mm eyepieces

HEAD

Binocular or trinocular heads with 45° inclined tubes. Both eyepieces with ± 5 diopter adjustments. Interpupillary distance adjustable between 54 mm and 75 mm. The trinocular head is supplied with a fixed light path beam splitter (50:50). The NexusZoom EVO models are now equipped with click-stops

OBJECTIVES

The standard NexusZoom is supplied with a 1:6.7 zoom objective with 0.67x to 4.5x magnifications, a field of view from 33 mm to 4.9 mm. WD 110 mm

The NexusZoom EVO is supplied with a 1:8.4 zoom objective with 0.65x to 5.5x magnifications, a field of view from 35.4 mm to 4.2 mm. WD 110 mm

All optics are anti-fungus treated and anti-reflection coated for maximum light throughput

AUXILIARY LENSES

For extra working distances the following auxiliary lenses are available for both the standard NexusZoom and NexusZoom EVO: 0.3x, 0.4x, 0.5x, 0.75x, 1.5x and 2.0x. For fields of view and working distances, see NexusZoom in chapter 6



NZ.1902-P

NZ.1902-S

## POLARIZATION

The NexiusZoom and NexiusZoom EVO can be supplied with an optional 360° rotatable circular stage with built-in polarization filter and/or an optional rotatable analyzer filter in mount to be screwed under the objective

## STAND

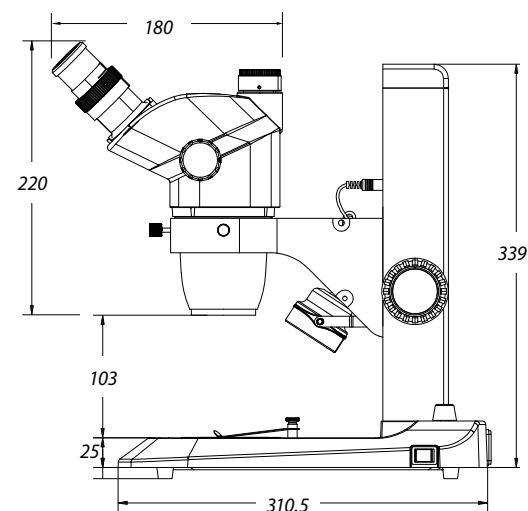
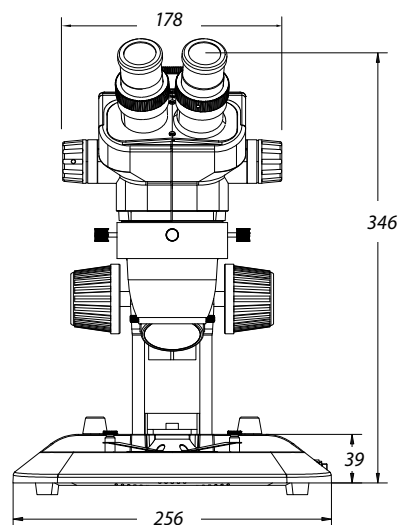
- Ergonomic pillar or rack & pinion stand with 3 W incident and 3 W transmitted LED illuminations (-P and -S stands)
- Ergonomic pillar stand with two 3 W gooseneck type incident LED illuminations on each side and a 3 W transmitted LED illumination (-PG stand)
- Ergonomic pillar stand with rotating mirror and 3 W LED transmitted and incident illuminations (-M stand)
- Ergonomic universal or boom stands, without illumination (-U and -B stands)
- Articulated arm stand for table mounting or with heavy base plate, both without head holder, without illumination (-A and AP stands)

All pillar and rack & pinion stands are supplied with two object clamps. Alloy metal cast, hardened coating

## STAGE

180 x 155mm X-Y mechanical stage with 76 x 55 mm

## DIMENSIONS



translation stage and transparent glass plate for NexiusZoom, fixed on stage of microscope. Only available with new microscopes (due to fixing), so it has to be ordered with the purchase of a microscope (See picture: NZ.9505 in accessories)

## ILLUMINATION

3 W transmitted and incident LED illuminators with internal power supply 100-240 V. Both illuminators can be used simultaneously and the light intensities can be adjusted separately. The universal single or double arm stands and the articulated stands can be equipped with the ring illuminators LE.1974 and LE.1973 with respectively 72 or 144 power LEDs controlled in segments or with the LE.5212 illumination station, ideal for creating or lifting shades

## ANTI-THEFT SLOT

At the back of the microscope a Kensington Security slot is placed, which can be used to secure the instrument from theft (only on th P-, PG-, and S-models)

## PACKAGE CONTENT

Supplied with power cord, dust cover, a spare fuse and user manual. All packed in a polystyrene box

## NEXIUSZOOM 0.67-4.5 (WF 10X/22MM)

MODELS	Bino	Trino	Pillar stand	Rack & pinion stand	Universal stand	Boom stand on heavy base plate	Articulated arm stand on table clamp	Articulated arm stand on heavy base plate	Gooseneck dual LED	Mirror LED	Weight (kg)
NZ.1902-P	•		•								5.0
NZ.1902-PG	•		•						•		5.1
NZ.1902-S	•			•							4.9
NZ.1902-U	•				•						15.6
NZ.1902-B	•					•					22.1
NZ.1902-A	•						•				8.6
NZ.1902-AP	•							•			20.7
NZ.1903-P		•	•								5.2
NZ.1903-PG		•	•						•		5.3
NZ.1903-M		•	•							•	5.1
NZ.1903-S		•		•							5.1
NZ.1903-U		•			•						15.7
NZ.1903-B		•				•					22.2
NZ.1903-A		•					•				8.7
NZ.1903-AP		•						•			20.8

## NEXIUSZOOM EVO 0.65-5.5 (WF 10X/23MM)

MODELS	Bino	Trino	Pillar stand	Rack & pinion stand	Universal stand	Boom stand on heavy base plate	Articulated arm stand on table clamp	Articulated arm stand on heavy base plate	Gooseneck dual LED	Mirror LED	Weight (kg)
NZ.1702-P	•		•								5.0
NZ.1702-PG	•		•						•		5.1
NZ.1702-M	•		•							•	5.1
NZ.1702-S	•			•							4.9
NZ.1702-U	•				•						15.6
NZ.1702-B	•					•					22.1
NZ.1702-A	•						•				8.6
NZ.1702-AP	•							•			20.7
NZ.1703-P		•	•								5.2
NZ.1703-PG		•	•						•		5.3
NZ.1703-M		•	•							•	5.1
NZ.1703-S		•		•							5.1
NZ.1703-U		•			•						15.7
NZ.1703-B		•				•					22.2
NZ.1703-A		•					•				8.7
NZ.1703-AP		•						•			20.8

The NexiusZoom EVO models are now equipped with click-stops



NZ.1902-U

NZ.1903-B



NZ.1903-AP

NZ.1902-A

## ACCESSORIES AND SPARE PARTS

### HEADS & EYEPIECES

- NZ.5302** NZ binocular head 0.67-4.5x\*
- NZ.5303** NZ trinocular head 0.67-4.5x\*
- NZ.5312** NZ EVO binocular head 0.65-5.5x\*
- NZ.5313** NZ EVO trinocular head 0.65-5.5x\*

\* without head holder

- NZ.6010** Pair of HWF 10x/22 mm eyepieces
- NZ.6010-C** HWF 10x/22 mm eyepiece only with crosshairs
- NZ.6010-CM** HWF 10x/22 mm eyepiece only with 10/100 micrometer and crosshairs
- NZ.6015** Pair of HWF 15x/16 mm eyepieces for NZ
- NZ.6020** Pair of HWF 20x/12 mm eyepieces for NZ
- NZ.6099** Pair of eyecups for NZ
- NZ.6210** Pair of HWF 10x/23 mm eyepieces for NZ EVO
- NZ.6210-C** HWF 10x/23 mm eyepiece only with crosshairs for NZ EVO
- NZ.6210-CM** HWF 10x/23 mm eyepiece only with 10/100 micrometer and crosshairs for NZ EVO
- NZ.6020-CM** HWF 20x/12 mm eyepieces with 10/100 micrometer and crosshairs

### AUXILIARY LENSES

- NZ.8903** Additional 0.3x lens for NZ. WD 287 mm. Only suitable for A, AP, U, B and BC stands
- NZ.8904** Additional 0.4x lens for NZ. WD 220 mm. Only suitable for A, AP, U, B and BC stands
- NZ.8905** Additional 0.5x lens for NZ. WD 183 mm. Not suitable for S stands
- NZ.8907** Additional 0.75x lens for NZ. WD 105 mm
- NZ.8915** Additional 1.5x lens for NZ. WD 53 mm
- NZ.8920** Additional 2.0 lens for NZ. WD 34 mm. Not suitable for S stands

### STANDS

- NZ.9000** Ergo pillar stand without illumination
- NZ.9005** Ergo pillar stand with adjustable transmitted 3 W LED illumination
- NZ.9010** Ergo rack & pinion stand with incident and transmitted 3 W LED illuminators
- NZ.9015** Ergo pillar stand with incident and transmitted 3 W LED illuminators
- NZ.9018** Ergonomic pillar stand with two 3 W gooseneck type incident LED illuminations on each side and a 3 W transmitted LED illumination
- NZ.9020** Universal one-arm stand without NZ head holder
- NZ.9025** Black universal stand with table clamp without NZ head holder
- NZ.9027** Black universal stand with heavy baseplate without NZ head holder
- NZ.9030** Universal double-arm boom stand without NZ head holder
- NZ.9032** Universal two-arm stand with table clamp without NZ head holder
- NZ.9042** Stand with rotating mirror and indirect transmitted LED illumination

NZ = NexiusZoom



NZ.9005

NZ.9000



NZ.8903

NZ.8904

NZ.8905

NZ.8907

NZ.8915

NZ.8920



## HEAD HOLDERS

- NZ.9081** Head 76 mm holder for NZ and black universal stand NZ.9025/NZ.9027
- NZ.9090** NZ head holder for NZ.9020/9030/9032 pillar stands
- NZ.9095** NZ head holder with fine and coarse adjustment for NZ.9020/9030/9032 pillar stands. Only available with new microscopes



● NZ.9095

## ILLUMINATION

- LE.5207** Multi-functional dual 3 W LED adjustable light source. Equipped with two flexible gooseneck arms with LED illuminator
- LE.5212** Euromex illumination station with two independently controlled goosenecks, a ring light and a transmitted stage illuminator (see photos on opposite page)
- LE.5260** Interchangeable high power (standard) white 6,500K light guide for NZ.9018/LE.5207/LE.5212, 1 pc
- LE.5261** Interchangeable high power 365 nm flexible arm for NZ.9018/LE.5207/LE.5212, 1 pc
- LE.5262** Interchangeable high power 395 nm flexible arm for NZ.9018/LE.5207/LE.5212, 1 pc
- LE.5263** Interchangeable high power 420 nm flexible arm for NZ.9018/LE.5207/LE.5212, 1 pc
- LE.1974** Ring illuminator with 72 LEDs with adjustable light intensity. External power supply 110-240 Vac / 12 Vdc (50/60 Hz). With segment controller. Brightness of 20,000 Lux at 100 mm distance and color temperature of 6,500 K. Mounting for stereo head with diameter from 25 to 61 mm

- LE.1973** Ring illuminator with 144 LEDs with adjustable light intensity. External power supply 100-240 Vac / 12 Vdc (50/60 Hz). With segment controller. Brightness of 23,000 Lux at 100 mm distance and color temperature of 6,500 K. Mounting for stereo head with diameter from 25 to 61 mm
  - LE.5210** Euromex cold light illuminator EK-1, 100 W halogen. 110 V and 230 V models available
  - LE.5211** Euromex cold light illuminator, 150 W halogen. 110 V and 230 V models available
  - LE.5211-LED** Euromex cold light illuminator LED, 30 W high power LED
  - LE.5214** Dual arm light conductor, gooseneck self-sustaining, 50 cm long, Ø 4 mm core
  - LE.5215** Triple arm light conductor, gooseneck self-sustaining, 50 cm long, Ø 4 mm core
  - LE.5222** Focusing head suitable for focusing lens LE.5214 and LE.5215 needs LE.5224
  - LE.5224** Aspherical focusing lens for mounting in LE.5222
- More illumination options, see chapter 11*

## STAGES

- NZ.9505** Mechanical 180 x 155 mm X-Y stage with 75 x 55 mm translation and transparent glass plate
- NZ.9524** 360° rotatable circular stage with built-in polarization filter for NZ
- NZ.9525** 360° rotatable analyzer in mount to be screwed under head of NZ
- AE.5168-NZ** Heating stage for NZ microscope stage



● NZ.9505

## CAMERA ACCESSORIES

- NZ.9850** C-mount adapter with 0.5x lens for 1/2 inch cameras
- AE.5130** Universal SLR adapter with built-in 2x lens for standard 23.2 mm tube. Needs T2 adapter
- AE.5025** T2 adapter for Nikon D SLR digital camera
- AE.5040** T2 adapter for Canon EOS SLR digital camera

## MISCELLANEOUS

- NZ.8950** Protection glass window for NZ
- NZ.9520** Polarization kit for NZ: 360° rotatable circular stage with built-in polarization filter (NZ.9524) + analyzer in mount to be screwed under head (NZ.9525)
- NZ.9040** Darkfield attachment for NZ
- NZ.9045** Fall protection ring for NexiusZoom pillars. Note: the one- and double arm stands are as a standard supplied with this ring
- NZ.9570** Pair object clamps for standard stage
- NZ.9572** Adjustable GEM object clamp for P, PL and S stand of NZ
- NZ.9950** Standard plexiglass object plate, opaque, with black border
- NZ.9956** Pair of object stage plates (black/white) Ø 90 mm
- NZ.9958** Standard glass object plate, opaque
- NZ.9983-R** 3 W LED replacement unit for NZ, incident illumination
- NZ.9983** 3 W LED replacement unit for NZ, transmitted illumination
- AE.1112** Micrometer 76 x 26 mm slide, 50 mm/500 divisions, 100 µm per division

## DISPOSABLES

- PB.5245** Lens cleaning paper, 100 sheets per pack
- PB.5274** Iso propyl alcohol 99%, 200 ml
- PB.5275** Cleaning kit: lens fluid, lint free lens tissue/paper, brush, air blower, cotton swabs
- PB.5276** Microscope maintenance and servicing kit, 16 pcs: cleaning brush, 6 pcs screwdriver set, air blower, 3 pcs Allen key 1.5, 2, 2.5 mm, lens cleaning fluid 20 ml, cleaning cloth 140 x 140 mm, 100 pcs lens tissue sheets, tube of maintenance grease, 10 ml bottle of oil, packed in a toolbox

NZ = NexiusZoom

WD = working distance



● The LE.5212 in two different configurations



AP series

STEREO MICROSCOPES



AP series

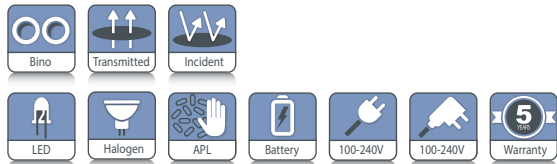
The microscopes of the AP series are designed specifically for educational purposes. The models are compact, robust and come with dual magnification revolvers and interchangeable objectives mounted in sliders



● AP-5 (50.920)



product information



<b>AP-1</b>	250 (h) x 120 (w) x 170 mm (d)   1.4 kg
<b>AP-2 / AP-4</b>	220 (h) x 120 (w) x 170 mm (d)   2.0 kg
<b>AP-5</b>	286 (h) x 120 (w) x 190 mm (d)   2.5 kg
<b>AP-7 / AP-7 LED / AP-8 / AP-8 LED</b>	286 (h) x 120 (w) x 190 mm (d)   2.4 kg



HIGHLIGHTS

- Small and robust
- Binocular heads with vertical or 45° inclined tubes
- Secured WF 10x/20 mm eyepieces
- Magnifications from 10 to 120x
- Pillar stands with and without illumination
- LED illumination for cordless use

SPECIFICATIONS

EYEPIECES

Pair of secured wide field eyepieces WF 10x/20 mm. Supplied with eyecups

HEAD

Binocular head with vertical or 45° inclined tubes. One tube is supplied with diopter adjustment. Interpupillary distance from 55 to 75 mm

OBJECTIVES

- The AP-1, AP-2, AP-4 and AP-5 models come with a 2x magnification objective in slider. This objective is interchangeable with optional 1x, 3x, 4x and 6x magnification objectives
- The AP-7 and AP-7 LED models are supplied with revolving 1x/3x objectives for total magnification of 10 and 30x with fields of view from 20 to 6.7 mm
- The AP-8 and AP-8 LED models are supplied with revolving 2x/4x objectives for total magnification of 20 and 40x with fields of view from 10 to 5 mm

All optics are anti-fungus treated and anti-reflection coated for maximum light throughput



● AP-1 (50.890)

STAND

Pillar stand with a 40 mm coarse adjustment. Supplied with a black/white object plate and two object clamps

ILLUMINATION

- The AP-1 is supplied without illumination
- The AP-2 and AP-4 are supplied with an incident 10 W 12 V tungsten illumination and internal power supply
- The AP-5, AP-7 and AP-8 models are supplied with a transmitted and incident 10W 12V tungsten illumination and internal power supply
- The AP-7 LED and AP-8 LED models are supplied with a transmitted and incident LED illumination with three rechargeable AA batteries for a maximum of 35 hours cordless operation. With external mains adapter/charger

### CAMERAS

Euromex offers a wide range of industrial and education grade cameras, see chapter 3 (Digital Solutions). The camera replaces one of the eyepieces

### PACKAGE CONTENT

Supplied with power cord/adapter, three rechargeable AA batteries, dust cover, a spare fuse and user manual. All packed in a polystyrene box



● AP-2 (50.900)



● AP-4 (50.915)



● AP-8-LED (50.931)

### MODELS

	Vertical head	45° head	Interchangeable 2x objective	1x/3x objective	2x/4x objective	Transmitted tungsten illumination	Incident tungsten illumination	Transmitted LED illumination	Incident LED illumination
50.890 (AP-1)	•		•						
50.900 (AP-2)	•		•				•		
50.915 (AP-4)		•	•				•		
50.920 (AP-5)		•	•			•	•		
50.925 (AP-7)		•		•		•	•		
50.926 (AP-7 LED)		•		•				•	•
50.930 (AP-8)		•			•	•	•		
50.931 (AP-8 LED)		•			•			•	•

## ACCESSORIES AND SPARE PARTS

### EYEPIECES

- 50.805** Pair of wide field eyepieces WF 5x/22 mm
- 50.810** Pair of wide field eyepieces WF 10x/20 mm
- 50.811** Micrometer eyepiece WF 10x/20 mm, 10 mm/100
- 50.815** Pair of wide field eyepieces WF 15x/16 mm
- 50.820** Pair of wide field eyepieces WF 20x/10 mm
- 50.840** Pair of eyecups

*Suitable for AP-1, AP-2, AP-4 and AP-5:*

### OBJECTIVES

- 50.831** Paired achromatic objectives 1x. WD 57 mm
- 50.832** Paired achromatic objectives 2x. WD 80 mm
- 50.833** Paired achromatic objectives 3x. WD 61 mm
- 50.834** Paired achromatic objectives 4x. WD 57 mm
- 50.836** Paired achromatic objectives 6x. WD 40 mm

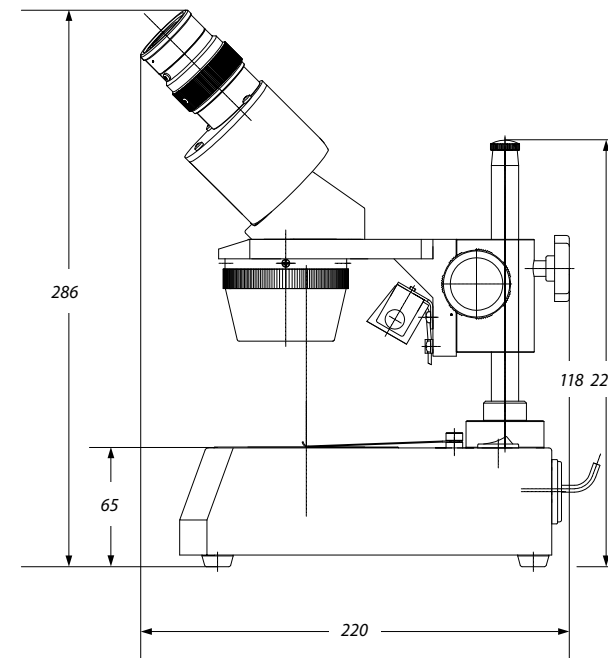
### MISCELLANEOUS

- 50.871** Black/white stage plate Ø 94 mm for AP-7, AP-7 LED, AP-8 and AP-8 LED models
- 50.873** Glass stage plate Ø 94 mm for AP-7, AP-7 LED, AP-8 and AP-8 LED models
- 50.874** Black/white stage plate Ø 60 mm (AP-1, 2, 3 and 4)
- 50.875** Adjustable GEM object clamp for AP series
- 50.876** Darkfield attachment Ø 94 mm for AP-7, AP-7 LED, AP-8 and AP-8 LED models
- 50.884** Spare bulb 10 W 12 V for AP series
- 50.975** External 100-240 V mains adapter
- AE.1112** Micrometer slide, 50 mm/50 divisions

### DISPOSABLES

- PB.5245** Lens cleaning paper, 100 sheets per pack
- PB.5274** Isopropyl alcohol 99% (200 ml)
- PB.5275** Cleaning kit: lens cleaning fluid, lint free lens tissue, brush, air blower and cotton swabs

### DIMENSIONS



● Transparent stage plate for transmitted illumination

# education

## digital solutions



## digital solutions

Get ready to discover the digital world of microscopy with the newest Euromex digital educational products. The broad Euromex product range of digital cameras and digital microscopes with built-in camera offer the best matching solutions for your specific application needs

Euromex digital educational products incorporate all the latest available technology in this field, such as WiFi, HDMI, CMOS, HD-CMOS and sCMOS



product information

- DIGITAL MICROSCOPES • PAGE 74**
- MACROZOOMS • PAGE 86**
- USB CAMERAS • PAGE 88**
- HD CAMERAS • PAGE 92**
- WiFi CAMERA • PAGE 94**
- COOLED CAMERA • PAGE 95**
- TABLET CAMERAS • PAGE 96**
- SOFTWARE • PAGE 100**
- ADAPTERS • PAGE 102**

# DIGITAL MICROSCOPES

3 EDUCATION DIGITAL SOLUTIONS



## MicroBlue

digital microscopes with built-in 5.0 MP USB-2.0 camera

The modern MicroBlue is an entry-level microscope, especially appreciated when budgets are limited. There are two versions of the digital MicroBlue; one with a built-in digital camera, the other with an LCD screen. Available with plain or integrated mechanical stage. All models are equipped with 35 mm achromatic objectives



- Mono
- 360°
- Transmitted
- LED
- Abbe
- ImageFocus
- APL
- Digital
- LCD
- USB
- Battery
- 100-240V
- Anti-theft
- 2 Years Warranty
- 5 Years Warranty



**MB.1055**  
320 (h) x 151 (w) x 202 mm (d) | 2.4 kg  
**MB.1051-LCD**  
378 (h) x 179 (w) x 202 mm (d) | 2.48 kg



## HIGHLIGHTS

- Economic microscopes for education
- Built-in digital 1.3 or 5.0 MP USB-2.0 camera
- 7 inch LCD screen
- Ergonomic carrying grip
- 5 Years warranty (2 years on camera)

## SPECIFICATIONS

### CAMERA

All the MicroBlue build-in digital camera microscopes are equipped with:

- 1.3 MP 1/2.5" CMOS USB-2.0 camera, 2560 x 1920, max. 30 fps, ImageFocus 4 software
- a 5.0 MP 1/2.8" CMOS USB-2.0 camera, 1720 x 952 pixels, max. 30 fps, ImageFocus Plus software
- USB-2.0 cable and a micrometer 1mm/100 slide

Warranty for the camera is two years

### SOFTWARE

- The capture and analysis ImageFocus software allows to save images in .jpg, .tif, .bmp or .dicom formats as well as .avi format videos
- Measurements and annotations can be done on live or captured images
- Compatible with Windows 10 and higher, both 32 and 64 bits configurations. A Mac OS version is also available
- Free software can be downloaded on our website

For full microscope specifications and accessories see chapter 1: Biological microscopes



• The LCD-head

### LCD SCREEN

- All the MicroBlue LCD microscopes are equipped with 7" IPS LCD screen
- Screen resolution 1920 x 1080 @ 30 fp
- Save images and videos directly to micro SD card
- Image resolution upto 1844 x 1080 in .JPEG format
- Video resolution 1280 x 720 .AVI format
- Basic measurement function (line) with calibration. Calibration slide available as option

Warranty for the screen is 2 years

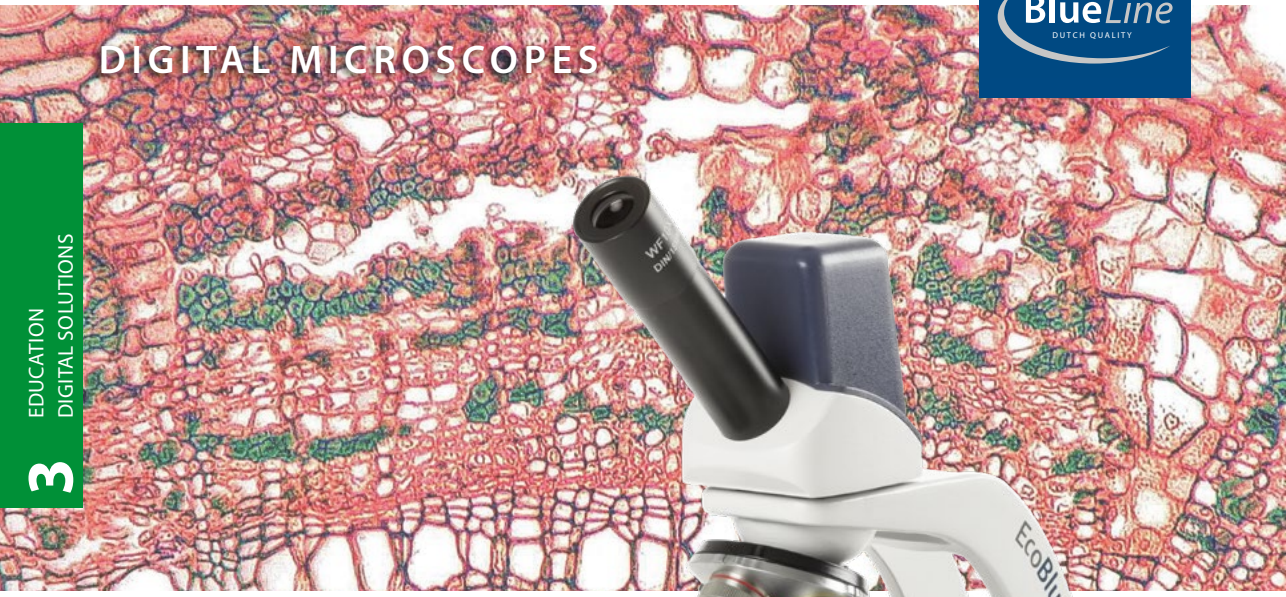
MODELS	Digital LCD	Digital mono	Maximum objectives	4/10/S40x objectives	S60x objective	S100x objective	Mechanical X-Y stage	Abbe condenser	LED	Batteries
MB.1001-LCD	•		3	•					•	•
MB.1051-LCD	•		4	•			•	•	•	•
MB.1055-X		•	4	•			•	•	•	•
MB.1655-X		•	4	•	•		•	•	•	•
MB.1155-X		•	4	•		•	•	•	•	•

-X = -1; model equipped with 1.3 MP camera  
-X = -5; model equipped with 5.0 MP camera

3 EDUCATION DIGITAL SOLUTIONS

# DIGITAL MICROSCOPES

EDUCATION  
DIGITAL SOLUTIONS  
3



## EcoBlue

digital microscopes  
with built-in  
5.0 MP USB-2.0 camera

The digital microscopes are equipped with WF 10x/18mm eyepieces, a quadruple nosepiece, achromatic objectives, a 123 x 119 mm stage with two clamps or X-Y mechanical stage, Abbe condenser and a 1 W LED illumination with integrated 100-240 V power supply



product information

- Mono
- 360°
- Transmitted
- LED
- Abbe
- Zoom
- APL
- Digital
- USB
- 100-240V
- Anti-theft
- 2 Year Warranty
- 5 Year Warranty

● EC.1005

EC.1105 / EC.1005  
355 (h) x 270 (w) x 220 mm (d) | 2.6 kg



## HIGHLIGHTS

- Economic microscopes for education
- Monocular and binocular models
- Built-in digital 5.0 MP USB-2.0 camera
- LED illumination
- Built-in 100-240 V power supply
- Ergonomic carrying grip
- 5 Years warranty (2 years on camera)



EDUCATION  
DIGITAL SOLUTIONS  
3

● EcoBlue supplied with achromatic objectives

## SPECIFICATIONS

### CAMERA

All the EcoBlue digital microscopes are provided with a 5.0 MP 1/2.8" CMOS USB-2.0 camera, a maximum of resolution 2560 x 1920, 24 bits color depth, up to 30 frames per second. USB-2.0 cable and a micrometer 1mm/100 slide

as .avi format videos. Measurements and annotations can be done on live or captured images. Compatible with Windows 10 and higher, both 32 and 64 bits configurations. A Mac OS version is also available. Free software can be downloaded from our website

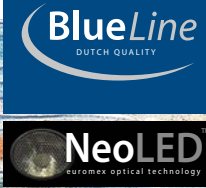
### SOFTWARE

The capture and analysis ImageFocus Plus software allows you to save images in .jpg, .tif, .bmp or .dicom formats as well

For full microscope specifications and accessories see chapter 1: Biological microscopes

MODELS	Monocular	Binocular	4x, 10x, S40x objectives	S60x objective	S100x objective	Mechanical X-Y stage	LED
EC.1005	•		•				•
EC.1105	•		•		•		•
EC.1607		•	•	•			•
EC.1055	•		•			•	•
EC.1155	•		•		•	•	•
EC.1157		•	•		•	•	•
EC.1657		•	•	•		•	•

# DIGITAL MICROSCOPES



EDUCATION  
DIGITAL SOLUTIONS  
3

EDUCATION  
DIGITAL SOLUTIONS  
3

## BioBlue

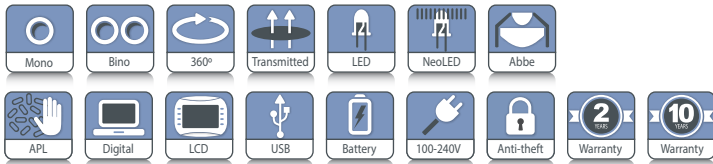
digital microscopes  
with built-in  
5.0 MP USB-2.0 camera

The WF 10x/18 eyepieces and the semi plan achromatic corrected 45 mm objectives of the BioBlue models generate a crisp high-resolution image

The 120 x 120 mm plain stage and 130 x 130 mm stage with double layered 70 x 28 mm mechanical X-Y stage enable precise and stable positioning of the specimen. With Abbe condenser, NeoLED™ or LED illumination and with supplied rechargeable AA batteries for corded and cordless use



product information



● BB.4225

**BB.4225 / BB.4245 / BB.4255**  
340 (h) x 155 (w) x 230 mm (d) | 3.4 kg  
**BB.4267 / BB.4269**  
360 (h) x 155 (w) x 230 mm (d) | 4.1 kg



## HIGHLIGHTS

- Monocular and binocular models
- Models with a 7" LCD screen
- Reserved quadruple nosepiece for semi plan objectives
- Built-in digital 5.0 MP USB-2.0 camera
- Integrated mechanical stage
- LED and NeoLED™ illumination
- Cordless operation
- 10 Years warranty (2 years on camera)

## SPECIFICATIONS

### CAMERA

All the BioBlue digital microscopes are equipped with a 5.0 MP 1/2.8" CMOS USB-2.0 camera, a maximum of resolution 2560 x 1920, 24 bits color depth, up to 30 frames per second. Supplied with USB-2.0 cable and a micrometer 1mm/100 slide

### SOFTWARE

The capture and analysis ImageFocus Plus software allows to save images in .jpg, .tif, .bmp or .dicom formats as well as .avi format videos. Measurements and annotations can be done on live or captured images. Compatible with Windows 10 and higher, both 32 and 64 bits configurations. A Mac OS version is also available. Free software can be downloaded from our website

### MODELS WITH LCD SCREEN

The BioBlue is also available with a 7" LCD screen, with all the features of the regular BioBlue. This screen allows live viewing, saving images and videos directly to a micro SD card



● BB.4220-LCD

and even has a basic line measurement function included. The HD LCD screen can only be operated as a stand alone

Screen resolution 1920 x 1080 @ 30 fps, image resolution up to 1844 x 1080 in JPG and video resolution 1280 x 720 AVI format  
*For full microscope specifications and accessories see chapter 1: Biological microscopes*



● The digital heads

MODELS	Mono	Bino	LCD	4/10/40x SMP objectives	Semi plan 560x objective	Semi plan 5100x objective	Integrated X-Y stage	1 W LED	NeoLED	Weight (kg)
BB.4205	•			•				•		2.9
BB.4225	•			•			•	•		3.4
BB.4245	•			•	•		•	•		3.4
BB.4255	•			•		•	•	•		3.4
BB.4267		•		•		•	•		•	4.1
BB.4269		•		•			•		•	4.1
BB.4200-LCD			•	•				•		2.9
BB.4220-LCD			•	•			•	•		3.4

# DIGITAL MICROSCOPES

bscope

NeoLED™  
euromex optical technology



● BS.1157-PLi

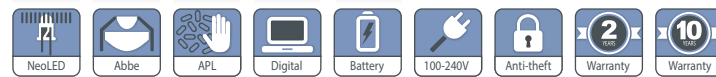
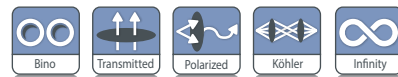
## bScope® digital microscopes with built-in 5.0 MP USB-2.0 camera

The versatile and evolutive bScope® microscopes are well-equipped and intensively used in universities, small to mid-sized laboratories and for veterinary applications

The digital bScope® comes with WF 10x/20 mm eyepieces and is exclusive available in binocular versions. Complete with E-plan IOS and Plan IOS infinity corrected objectives for brightfield observations



product information



BS.1157-PLi  
409 (h) x 195 (w) x 235 (d) | 7.1 kg



## HIGHLIGHTS

- Binocular model
- Integrated 5.0 MP CMOS color USB.2 camera
- 2592 x 1944 pixels
- 7 frames per second (2592 x 1944 pixels)
- 27 frames per second (1280 x 960 pixels)
- 10 Years warranty (2 years on camera)

## SPECIFICATIONS

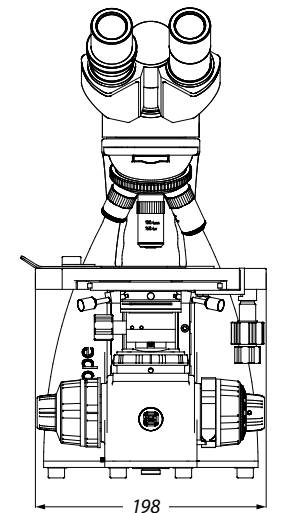
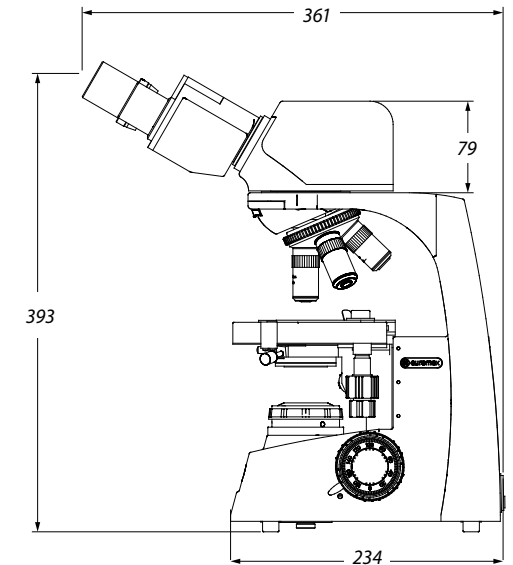
### CAMERA

The digital bScope microscopes are equipped with a 5.0 MP 1/2.5 inch CMOS USB-2.0 camera, 24 bits color depth, 7 frames per second (2592 x 1944 pixels) or 27 frames per second (1280 x 960 pixels). Dynamic range is 76 dB and signal/noise ratio 41 dB. Supplied with USB-2.0 cable and a micrometer 1mm/100 calibration slide

### SOFTWARE

The capture and analysis ImageFocus Alpha software allows to save images in .jpg, .tif, .bmp or .dicom formats as well as .avi format videos. Measurements and annotations can be done on live or captured images. Compatible with Windows 10 and higher, both 32 and 64 bits configurations. A Mac OS version is also available. Free software can be downloaded from our website. For full microscope specifications and accessories see chapter 1: Biological microscopes

## DIMENSIONS



## MODELS

	binocular head	HWF 10x/20 mm eyepieces	Quintuple nosepiece E-plan IOS 4/10/S40/S100x	Quintuple nosepiece plan IOS 4/10/S40/S100x	Köhler NeoLED™
BS.1157-EPLi	•	•	•		•
BS.1157-PLi	•	•		•	•

All models can optionally be supplied with three rechargeable AA batteries



# DIGITAL MICROSCOPES



● ED.1805-S

## EduBlue

digital microscopes with built-in 5.0 MP USB-2.0 camera

The EduBlue stereo microscopes are designed specifically for educational purposes and are equipped with WF 10x/20 mm eyepieces, a revolving nosepiece with double or triple magnification objectives



With transmitted and incident 1 W LED illuminations, 60 mm working distance. Supplied with three rechargeable AA batteries for corded and cordless operation. Also supplied with an external power supply

product information

- Bino
- Incident
- Transmitted
- LED
- APL
- Digital
- USB
- Battery
- 100-240V
- Anti-theft
- 2 Years Warranty
- 5 Years Warranty

ED.1305-S / ED.1405-S / ED.1505-S / ED.1805-S  
260 (h) x 175 (w) x 220 mm (d) | 2.4 kg



● Triple magnification

## HIGHLIGHTS

- Economical binocular models
- Dual and triple magnification objectives
- Cordless operation
- Built-in digital 5.0 MP USB-2.0 camera
- LED illuminators
- Ergonomic carrying grip
- 5 Years warranty (2 years on camera)

## SPECIFICATIONS

### CAMERA

All the EduBlue digital microscopes are provided with a 5.0 MP 1/2.8" CMOS USB-2.0 camera, a maximum of resolution 2560 x 1920, 24 bits color depth, up to 30 frames per second. Supplied with USB-2.0 cable and a micrometer 1mm/100 slide

### SOFTWARE

The capture and analysis ImageFocus Plus software allows to save images in .jpg, .tif, .bmp or .dicom formats as well as .avi

format videos. Measurements and annotations can be done on live or captured images. Compatible with Windows 10 and higher, both 32 and 64 bits configurations. A Mac OS version is also available. Free software can be downloaded from our website

For full microscope specifications and accessories see chapter 2: Stereo microscopes

### MODELS

Models	Binocular	1x/ 3x objectives	2x/ 4x objectives	1x/ 2x/ 3x objectives	1x/ 2x/ 4x objectives	Rack & pinion stand
ED.1305-S	•	•				•
ED.1405-S	•		•			•
ED.1505-S	•			•		•
ED.1805-S	•				•	•



## EduBlue LCD

digital microscope with built-in 2.0 MP camera

The EduBlue LCD microscope is built around one 1 to 4 times zoom objective and enables observation of all kinds of objects directly on a 9" LCD screen. These kinds of microscopes are well-suited for education

The EduBlue LCD is equipped with a built-in 2 MP high definition CMOS camera with

1920 x 1080 pixels



product information



ED.3000



ED.3000  
425/475 (h) x 180 (w) x 230 mm (d) | 2.3 kg



Adjustable screen

## HIGHLIGHTS

- MonoZoom stand-alone digital microscope
- Magnification 8x up to 51.4x optically and 8x up to 514x digitally
- 91 mm working distance
- Built-in 21 LED incident ring light, five intensity positions
- Built-in 7 LED transmitted, two intensity positions
- Built-in 2 MP HD camera
- HD 9-inch screen
- Removable 8 GB SD card
- Metal stand
- 3 Years warranty (2 years on camera)

## SPECIFICATIONS

### CENTRAL ZOOM OBJECTIVE

The EduBlue LCD ED.3000 features a single optical zoom objective with a 0.7 to 4.5 zoom magnification. Zoom adjustments engravings on 1, 1.5, 2, 3 and 5x. The working distance is 91 mm. A digital zoom up to 10x is available within the software

### STAND

The central Zoom Objective with attached screen and LED ring light is mounted on a rack and pinion system that sits on a 30 x 180 mm metal stand

### ILLUMINATION

- Two types of illumination are available;
- An integrated 21 LED incident ring light illumination (5.500 K) with five intensity positions
  - A 7 LED transmitted illumination (5.785 K) with two intensity positions, integrated in the base

### BUILT-IN CAMERA

Built-in HD 2 MP CMOS high speed camera with attached 9" screen. There is one USB port for a max. 16 GB SD storage card for captured images. The operator can take and save images to the SD card by pressing on a capture button at the left side of the screen. Images are saved in the .jpg format and videos are saved in .avi format

### BUILT-IN SOFTWARE

The built-in on screen software is driven by the supplied computer mouse and features functions such as Capture image, Freeze image, Automatic white balance, Automatic exposition, File manager, Grids. Also camera settings such as Exposure time, Gain, Saturation, Contrast, Sharpness and HDR

### PACKAGE CONTENT

Supplied with 16 GB SD card, black/white object plate, a glass transparent object plate and external 12V / 2A power supply

MACROZOOMS



**MZ.4500**  
macrozoom

The high-end MacroZoom is built around one 0.7 to 4.5 times optical zoom objective and must be used in combination with C-mount types of cameras with HD screens or computer screens. With a working distance of 105 mm it is highly suitable for repairs, tooling engineers and visual inspections

A standard heavy metal base makes the whole system very stable for adding all kinds of illumination systems and camera systems



● MZ.4500

**MZ.4500**  
313 (h) 320 (w) 285 mm (d) | 3.06 kg



product information



HIGHLIGHTS

- Stand-alone
- Zoom semi-apochromatic objective
- Zoom up to 0.7x to 4.5x
- C-mount with 0.4x objective
- 105 mm working distance
- Without illumination
- Metal stand
- 3 Years warranty



SPECIFICATIONS

**CENTRAL ZOOM OBJECTIVE**

The MacroZoom MZ.4500 features a single optical zoom objective with a 0.7x to 4.5x zoom magnification. Zoom adjustments engravings on 1, 1.5, 2, 3 and 4.5x. The working distance is 105 mm

**STAND**

The MacroZoom is mounted on a 230 mm height pillar (Ø 32 mm) and holder (Ø 39/50 mm) that sits on a metal 320 x 260 x 16/25 mm metal stand

**CAMERA SYSTEMS**

Any of our digital C-mount cameras (in this chapter) can be used together with the MacroZoom

**PACKAGING**

Supplied with dust cover and packed in a polystyrene box



● The MZ.4500 in combination with the VC.3036-HDS

## USB CAMERAS



● CMEX-1

### CMEX entry level USB-2.0 cameras with CMOS sensor

The CMEX-1 is equipped with a CMOS sensor

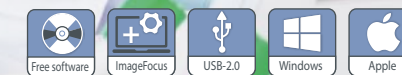
Besides capturing images and videos, the ImageFocus 4 software allows measurements on still and live images and annotations on captured images. Compatible with Windows 10 and higher, both 32 and 64 bits configurations. A Mac OS Light version is also available for capturing images only. Free software can be downloaded from our website



MODEL	Number of pixels (MP)	Sensor	Pixels size (µm)	Resolutions	Max. frames (p/sec)	Grayscale conversion	Color rendering	Signal/ Noise(dB)	Dynamic (dB)	Sensitivity V/lux-sec (at 550 nm)	Product number
CMEX-1	1.3	1/2.5" CMOS	2.2 x 2.2	1272 x 952 632 x 472	15 30	10 bits	24 bits	55	72	1.3	DC.1300c

The CMEX-1 (DC.1300c) camera is supplied with a 0.45x C-mount objective

## USB CAMERAS



### CMEX USB-2.0 cameras with fast CMOS sensor

The CMEX-2f, CMEX-5f and CMEX-12f are equipped with a fast CMOS sensor. The CMEX cameras are equipped with USB-2.0 data interface

Besides capturing images and videos, the ImageFocus Plus software allows measurements on still and live images and annotations on captured images. Compatible with Windows 10 and higher, both 32 and 64 bits configurations. A Mac OS version is also available. Free software can be downloaded from our website

MODELS	Number of pixels (MP)	Sensor	Pixels size (µm)	Resolutions	Max. frames (p/sec)	Grayscale conversion	Color rendering	Dynamic (dB)	Sensitivity V/lux-sec (at 550 nm)	Product number
CMEX-2f	2.0	1/2.9" CMOS	2.8 x 2.8	1920 x 1080	30	8 bits	24 bits	72	0.51	DC.2000f
CMEX-5f	5.0	1/2.8" CMOS	2.0 x 2.0	2560 x 1920 1600 x 1200	30 50	8 bits	24 bits	72	2.0	DC.5000f
CMEX-12f	12.0	1/2.3" CMOS	1.33 x 1.33	4000 x 3000 2592 x 1944	15 30	8 bits	24 bits	60	1.5	DC.12000f

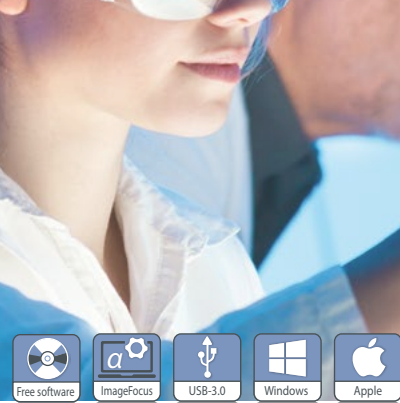
The CMEX cameras are supplied with USB-2.0 cable, 30.0 and 30.5 mm to 23.2 mm conversion adapters for use with stereo microscopes and a 1 mm/100 (10 µm/division) calibration slide. The cameras are supplied with a 0.45x C-mount objective

## USB CAMERAS

ADVANCED  
CAMERAS FOR  
EDUCATION

## USB CAMERAS

SCIENTIFIC  
GRADE CAMERAS  
FOR EDUCATION



● CEMX-18 Pro



● sCMEX

### Advanced CEMX USB-3.0 cameras with CMOS sensor

The CEMX Pro cameras are equipped with a 3.1, 5.1, 10 or 18 MP CMOS sensor with 12 bits grayscale conversion and a 24 bits color rendering. These cameras are equipped with a USB-3.0 data interface enabling fast frame rate

Besides capturing images and videos, the ImageFocus Alpha software allows measurements on still and live images and annotations on captured images. Compatible with Windows 10 and higher, both 32 and 64 bits configurations. A 2 GB RAM 2.8 GHz computer and 17 inch display is recommended. A Mac OS version is available. Free software can be downloaded from our website

MODELS	Sensor	Sensor size (inch)	Pixels size (µm)	Exposure time	Resolutions	Max. frames (p/sec)	Signal/ Noise (dB)	Dynamic (dB)	Sensitivity V/lux-sec	Product number
CEMX-3 Pro	CMOS	1/3"	2.2 x 2.2	1 ms ~ 2000 ms	2048 x 1534 1024 x 770	28 53	39	100	1.9	DC.3000-PRO
CEMX-5 Pro	CMOS	1/2.5"	2.2 x 2.2	1 ms ~ 2000 ms	2560 x 1922 1270 x 960 640 x 480	14 39 100	39	68.	1.76	DC.5000-PRO
CEMX-10 Pro	CMOS	1/2.3"	1.67 x 1.67	1 ms ~ 2000 ms	3584 x 2746 1792 x 1372	8 25	35.5	63.5	0.31	DC.10000-PRO
CEMX-18 Pro	CMOS	1/2.3"	1.25 x 1.25	1 ms ~ 2000 ms	4912 x 3684 2456 x 1842 1228 x 922	6 18 32	42	65	1.3	DC.18000-PRO

The CEMX-3 Pro, -5 Pro, -10 Pro and -18 Pro cameras are supplied with USB-3.0 cable, 30.0 and 30.5 mm adapters to use with stereo microscopes, 1 mm/100 (10 µm/division) calibration slide. The CEMX-5 Pro, -10 Pro and -18 Pro are supplied with a 0.5x C-mount objective. The CEMX-3 Pro is supplied with a 0.37x C-mount objective

### sCMEX USB-3.0 cameras with scientific grade sCMOS sensor

These cameras are equipped with a scientific grade back illuminated Sony sCMOS sensor with 16 bits grayscale conversion and an outstanding 36 bits color rendering. Suitable for brightfield, darkfield and fluorescence. The cameras are equipped with a USB-3.0 data interface and supplied with ImageFocus Alpha software

Besides capturing images and videos, the ImageFocus Alpha software allows measurements on still and live images and annotations on captured images. Compatible with Windows 10 and higher, both 32 and 64 bits configurations. Also compatible with Mac OS. PC requirements: Intel Core2 2.8 GHz or higher or equivalent, 2 GB memory, USB-3.0 port, 17 inch display. Free software can be downloaded from our website

MODELS	Number of pixels (MP)	Sensor and size (inches)	Pixels size (µm)	Exposure time	Resolutions	Max. frames (p/sec)	Color rendering	Dynamic range (dB)	S/N Ratio (dB)	Sensitivity V/lux-sec	Product number
sCMEX- 3	3.1	1/2.8" sCMOS	2.5 x 2.5	0.244 ~ 15000 ms	2048 x 1536 1920 x 1080	50 58	36 bits	--	--	0.15	DC.3000s
sCMEX- 6	6.3	1/1.8" sCMOS	2.5 x 2.5	0.244 ~ 15000 ms	3072 x 2048 1536 x 1024	30 38	36 bits	66.8	44.51	0.15	DC.6000s
sCMEX-20	20	1" sCMOS	2.4 x 2.4	0.264 ~ 15000 ms	5440 x 3648 2736 x 1824 1824 x 1246	15 50 60	36 bits	66.3	44.74	0.21	DC.20000s
sCMEX-32	32	1.15" sCMOS	2.3 x 2.3	0.1 ~ 15000 ms	5600 x 5600 2800 x 2800 1400 x 1400	8.1 30 30	36 bits	88	50	0.43	DC.32000s

The sCMEX cameras are supplied in a carton box with USB-2.0 cable, 30.0 and 30.5 mm to 23.2 mm conversion adapters for use with stereo microscopes, 1 mm/100 (10 µm/division) calibration slide. The DC.3000s is supplied with a 0.37x objective, the DC.6000s is supplied with a 0.5x objective, the DC.20000s and DC.32000s are supplied with a 1.0x adapter

## HD AND HD-AUTOFOCUS CAMERAS



## High definition 1080p and 4K CMOS color cameras

These UHD-4K and HD cameras offer the perfect solution to modern microscopy where real-time images are needed. These HD image quality cameras can be used with biological, metallurgical or stereo microscopes

### STAND-ALONE MODE

To use these cameras you do not need a computer or have any computer knowledge. Most camera settings are done automatically and therefore these cameras are very user-friendly. This results in faster, more flexible and compact working conditions. Simply connect the camera to a high definition dedicated 11.6" or 13" HD screen, TV-HD or HD-beamer with a HDMI input and the system is ready to go. The mouse driven built-in software of the camera enables captured images and recorded videos to be saved on the integrated SD memory card

Almost all HD cameras offer a full range of measuring functions on live and captured images

### COMPUTER CONTROLLED MODE

Users who want more camera controls and more functions can also connect the camera to a computer and benefit from the extensive functions of the Euromex ImageFocus software. It runs on Windows 10 and higher, both 32 and 64 bits. Besides extended camera settings, the software can save images in JPG, TIFF or BMP formats and record videos in .avi format on the hard disk of the computer. The software offers different measurement functions on live and captured images and also full control over the camera parameters

## HIGHLIGHTS

- UHD 2160p, HD 1080p high definition color cameras
- Real-time images directly on TV, monitor or beamer
- Stand-alone or computer controlled mode
- Built-in mouse-driven software and SD memory card
- HDMI, USB-2.0/3.0
- GbE (Ethernet) (VC.3042)
- WiFi (VC.3042 and VC.3034)
- Autofocus model available
- Compatible with ImageFocus software



VC.3036-HDS on stereo microscope



VC.3034-HDS on the BioBlue

### PACKAGE CONTENT\*

MODELS	UHD-4K	HD-Ultra	HD-Lite	HD-Mini	HD-Mini +HDS	HD-Autofocus	HD-Pro
C-mount with objective	0.5x	0.37x	0.45x	0.37x	0.37x	0.5x	0.37x
Interface(s)	Digital HDMI, USB-2, WiFi	Digital HDMI, USB-2	Digital HDMI, USB-2	Digital HDMI	Digital HDMI	Digital HDMI, WiFi	Digital HDMI, USB-2
30 and 30.5 mm adapters	•	•	•	•	•	•	•
SD card	32 GB	16 GB	8 GB	32 GB	32 GB	32 GB	32 GB
Calibration slide 10mm/100	•	•	•	•	•	•	•
External power supply	12V 1A	12V 2A	12V 2A	12V 1A	12V 1A	12V 1A	12V 1A
Dimensions (w x d x h)	88 x 78 x 65	80 x 70 x 90	80 x 70 x 90	51ø x 60	50 x 50 x 60	81 x 65 x 78	81 x 65 x 78
Weight (grams)	480	440	280	50	130	500	500
Product number	VC.3042	VC.3036	VC.3031	VC.3023	--	VC.3034	VC.3039
With HD screen	13" VC.3042-HDS	11.6" VC.3036-HDS	11.6" VC.3031-HDS	--	13" VC.3024-HDS	13" VC.3034-HDS	13" VC.3039-HDS

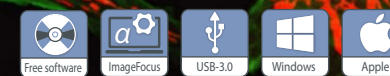
\* See for more information chapter 7

## WIFI CAMERA

## WIFI CAMERAS

## COOLED CAMERAS

## COOLED CAMERAS FOR EDUCATION



### CMEX-5 WiFi-3 5.0 MP

digital WiFi camera with 1/2.5 inch CMOS sensor

The CMEX-5 WiFi-3 1080p camera is equipped with a 5.0 MP CMOS sensor with 12 bits grayscale conversion and a 24 bits color rendering

The CMEX camera streams H.264 encoded high resolution images simultaneously to several WiFi enabled smartphones, tablets or computers with iOS, Android or Windows operating systems

Power supply through USB charger or computer USB port. Standard C-mount mounting



Adding a WiFi camera to your microscope is ideal for wireless sharing/viewing of microscope images. Ideal for demonstrations where remote viewing is needed

Android app for this camera is available on [www.euromex.com](http://www.euromex.com). IOS app can be downloaded from the App Store (free of charge). ImageFocus Alpha software can be used by means of WiFi on PC's and Macs and is available on [www.euromex.com](http://www.euromex.com)

The camera is powered by the included USB charger or a computers USB port. Standard 0.37x C-mount objective is included

MODEL	Sensor	Sensor size (inches)	Pixels size (µm)	Resolutions	Grayscale conversion	Color rendering	Signal/ Noise(dB)	Dynamic (dB)	Sensitivity V/lux-sec	Product number
CMEX-5 WiFi-3	CMOS	1/2.8"	3.9 x 3.9	1920 x 1080	12 bits	24 bits	60	66.5	1.3	DC.5000-WIFI-3

The CMEX-5 WiFi-3 camera is supplied in a box with USB cable, 30.0 and 30.5 mm adapters to use with stereo microscopes, and a 0.37x C-mount objective



● DC.20000i and DC.6000i

### Cooled color camera with CCD or CMOS sensor

The Euromex 6 and 20 Megapixel Peltier cooled cameras are equipped with Peltier cooling elements that allow the camera to be used for fluorescence and other low light applications. These advanced and premium models are supplied with a USB-3.0 interface

ImageFocus Alpha software has specific functions for fluorescence like combining capture fluorescence images. Furthermore it allows capturing of images and videos, doing measurements and annotations, generating reports, live image stitching etc. Compatible with Windows 10 and higher, both 32 and 64 bits configurations. Free software is available on [www.euromex.com](http://www.euromex.com). A Mac OS version is also available (with a few differences in features)

MODELS	Number of pixels (MP)	Sensor	Pixel size (µm)	Resolutions	Max. frames (p/sec)	USB-3	Dynamic range (dB)	S/N Ratio	Sensitivity @ 1/30 sec	Peltier cooling
DC.6000i	6	1" CCD	4.54 x 4.54	2748 x 2200 2748 x 1092	7.5 14	•	62.34	41.6	880 mV	•
DC.20000i	20	1" CMOS	2.4 x 2.4	5440 x 3648 4096 x 2160 2736 x 1824 1824 x 1216	5 10 15 30	•	66.3	41.74	462 mV	•

## TABLET CAMERAS



## EduPad tablet

### with microscope camera

The EduPad tablet with a 8 inch display can be supplied with a 2.1 MP, 5.1 MP, 12.0 MP or a WiFi camera. Together with the ImageFocus Plus or ImageFocus Alpha software it offers a state-of-the-art solution for modern microscopy for education



product information

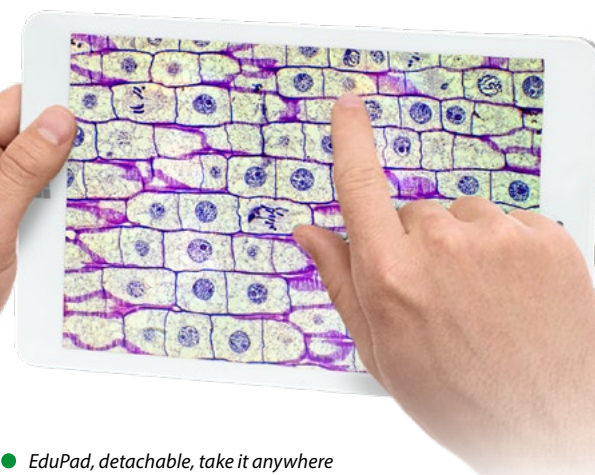


EduPad in case



### SOFTWARE

EduPad USB camera works with ImageFocus Plus software and EduPad with WiFi camera works with ImageFocus Alpha. The WiFi camera can also be operated through IOS and Android apps



EduPad, detachable, take it anywhere

## HIGHLIGHTS

- 8" Tablet with microscope camera
- 1280 x 800 pixels touch screen
- Full Windows 10 Home
- ImageFocus Plus software for PC
- ImageFocus Alpha for WiFi enabled PC and Android devices
- Tablet can be fully detached from camera

## SPECIFICATIONS

Processor	Quad Core 1.33 GHz with HD graphics processor
Screen	screen 1920 x 1200 touchscreen, 16:10, LED backlight
Memory	2 GB DDR3 RAM
Storage	32 GB flash SDD, Micro SD/SDHC cards up to 64 GB
Webcam	Front and rear cameras
Connectivity	USB-C, Wi-Fi 802.11 b/g/n and Bluetooth 4.0
Audio	Stereo with 3.5 mm audio jack and built-in microphone and speaker
Battery	Lithium
Housing	approx. 21 x 12 x 9 cm
Weight	approx. 0.4 kg
System	Windows 10 Home

Specifications can be changed by Euromex microscopen bv without notice

MODELS	Camera (MP)	Sensor size	Resolution	Pixels size (µm)	ADC	Color rendering	Dynamic (dB)	Sensitivity V/lux-sec	Interface	Product number
EduPad-2	2.1	1/2.9"	1920 x 1080	2.8 x 2.8	12 bits	24 bits	--	0.51	Windows, USB 2.0	EP.2000f
EduPad-5	5.1	1/2.8"	2592 x 1920	2.0 x 2.0	12 bits	24 bits	72 dB	2.0	Windows, USB 2.0	EP.5000f
EduPad-12	12.0	1/2.3"	4072 x 3176	1.33 x 1.33	8 bits	24 bits	60 dB	--	Windows, USB 2.0	EP.12000f
EduPad-WiFi	5	1/2.8"	1920 x 1080	3.9 x 3.9	12 bits	24 bits	61 dB	1.3	Windows, Apple, Android	EP.5000-WiFi

All EduPad models are supplied with a C-mount objective that fits the standard 23.2 mm trinocular tubes



**TABLET CAMERAS**



**ProPad tablet**

with microscope camera and keyboard-docking station

The ProPad Full HD (1280x800) display reveals bright colors and crisp images. The ProPad consists of a high quality microscope camera system and a fully detachable tablet running the latest ImageFocus version. You can take it anywhere

Together with the included attachable keyboard, you can use it as a microscope imaging system, tablet and laptop. The keyboard



connects to the tablet using magnets to provide a latchless docking solution that lets you smoothly remove and re-attach the keyboard to the ProPad

**SOFTWARE**

ProPad-2, ProPad-5 and ProPad-12 work with ImageFocus Plus. ProPad-WiFi works with ImageFocus Alpha. The WiFi camera can also be operated through IOS and Android apps



**HIGHLIGHTS**

- 10.1" Tablet with microscope camera
- 1280 x 800 pixels HD touch screen
- Windows 10 Home
- ImageFocus Plus software for PC
- ImageFocus Alpha for WiFi enabled PC and Android devices
- Tablet can be fully detached from camera
- Including keyboard
- The snap-on keyboard uses a magnetic docking system



● ProPad and keyboard-docking station

**SPECIFICATIONS**

Processor	Quad Core 1.92 GHz with HD graphics processor
Screen	10.1 inch, 1280 x 800 (WGXA) touchscreen, 16:10, LED backlight
Memory	2 GB DDR RAM, 2 MB cache
Storage	32 GB Flash HDD, micro SD/SDHC up to 64 GB
Webcam	2 MP, 1600 x 1200 pixels front and rear cameras
Connectivity	Micro USB 2.0, WiFi 802.11 b/g/n and Bluetooth 4.0
Audio	Stereo with 3.5 mm audio jack, internal microphone and speaker
Battery	Lithium
Housing	246.9 x 174.2 x 9.4 mm (tablet), 246.9 x 174.2 x 8.2 mm (keyboard)
Weight	588 grams (tablet), 551 grams (keyboard)
System	Windows 10 Home
Supplied with	Keyboard-docking station

Specifications can be changed by Euromex microscopen bv without prior notice

MODELS	Camera (MP)	Sensor size	Resolution	Pixels size (µm)	ADC	Color rendering	Dynamic (dB)	Sensitivity V/lux-sec	Interface	Product number
ProPad-2	2.1	1/2.9"	1920 x 1080	2.8 x 2.8	12 bits	24 bits	--	0.51	Windows, USB 2.0	PP.2000f
ProPad-5	5.1	1/2.8"	2592 x 1920	2.0 x 2.0	12 bits	24 bits	72 dB	2.0	Windows, USB 2.0	PP.5000f
ProPad-12	12.0	1/2.3"	4072 x 3176	1.33 x 1.33	8 bits	24 bits	60 dB	--	Windows, USB 2.0	PP.5000f
ProPad-WiFi	5.0	1/2.8"	1920 x 1080	3.9 x 3.9	12 bits	24 bits	61 dB	1.3	Windows, Apple, Android	PP.5000-WiFi

All ProPad models are supplied with a C-mount objective that fits the standard 23.2 mm trinocular tubes

FREE UPDATES  
AVAILABLE ON  
EUROMEX.COM

# SOFTWARE

The software is compatible with all cameras mentioned in table below. Besides live imaging the software captures images in various formats and video in .avi format

IMAGE FOCUS 4	
DC.1300c	

IMAGE FOCUS PLUS	
DC.2000f	VC.3036
DC.5000f	VC.3031
DC.12000f	

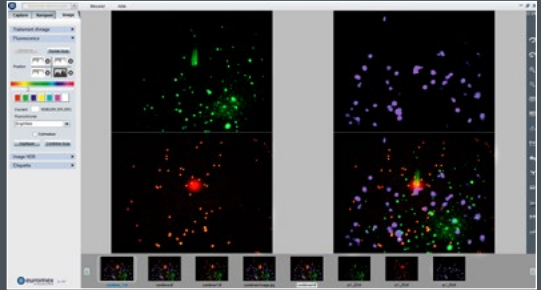
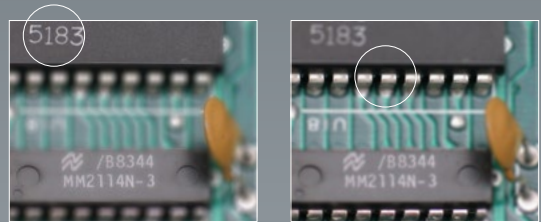
IMAGE FOCUS ALPHA	
DC.3000-Pro	DC.5000-WiFi
DC.5000-Pro	DC.3000s
DC.10000-Pro	DC.6000s
DC.18000-Pro	DC.20000s
VC.3039	VC.3042

## IMAGE STITCHING

Image stitching is the process of combining multiple images with overlapping fields of view to produce one image

## EXTENDED DEPTH OF FOCUS

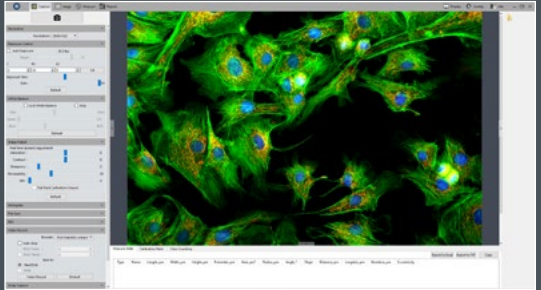
"The extended depth of focus" function in the ImageFocus Alpha software or "stacking software, allows to combine a number of digital images of a object, focused at different focus planes, into one final image with much greater depth of field (see illustration below)



## ImageFocus 4 software

- ImageFocus 4 has a wide range of functions:
  - Measurements can be done on still and live image
  - Images can be saved in .jpg, .tif, .or .bmp formats as well as .avi format videos
  - The brightness, contrast and saturation of captured images can be adjusted
  - Camera parameters for exposure time, white balance and color control are easily accessible
  - The software also has specific functions for fluorescence such as combining captured fluorescence images
  - Compatible with Windows 10 and higher, both 32 and 64 bits configuration. A Mac OS Light version is also available for capturing images\*
  - PC requirements: Intel Core2 2.8 GHz or higher or equivalent, 2GB memory or more, 17" screen
- \* Mac version not available for VC Series

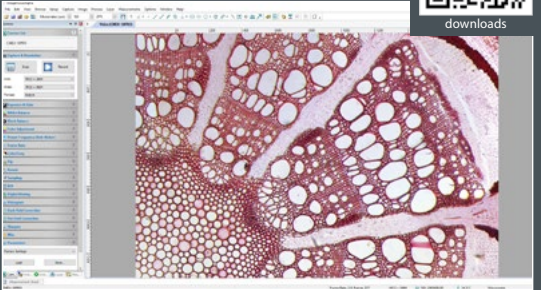
One language can be selected during initial installation of the ImageFocus 4 software: English, German, French, Dutch, Spanish and Russian



## ImageFocus Plus software

- ImageFocus Plus has a wide range of functions:
- Measurements on still and live image
- Extended depth of focus and stitching on still and live image (only with VC.3036 and VC.3031 cameras)
- Images can be saved in .jpg, .tif, .bmp or .dicom formats as well as .avi and mpeg-4 format videos
- The brightness, contrast and saturation of captured images can be adjusted
- Camera parameters for exposure time, white balance and color control are easily accessible
- The software also has specific functions for fluorescence such as combining captured fluorescence images
- Compatible with Windows 10 and higher, both 32 and 64 bits configuration. A Mac OS version is also available
- PC requirements: Intel Core2 2.8 GHz or higher or equivalent, 2 GB memory or more, 17" screen

ImageFocus Plus software features English, German, French, Dutch, Spanish and Russian



## ImageFocus Alpha software

- ImageFocus Alpha has a wide range of functions:
- Measuring, segmentation & counting, stichting of images, extended depth of focus, etc
- Images can be saved in .jpg, .tif, .bmp or .dicom formats as well as .avi format videos
- The brightness, contrast and saturation of captured images can be adjusted
- Camera parameters for exposure time, white balance and color control are easily accessible
- The software also has specific functions for fluorescence such as combining captured fluorescence images
- Compatible with Windows 10 and higher, both 32 and 64 bits configuration. A Mac OS version is also supplied (with a few differences in features)
- PC requirements: Intel Core2 2.8 GHz or higher or equivalent, 2GB memory or more, 17" screen

One language can be selected during initial installation of the ImageFocus Alpha software English, Catalan, French, German, Indonesian, Italian, Japanese, Korean, Polish, Russian, Simplified Chinese, Spanish, Thai, Traditional Chinese, Turkish



downloads

FOR ALL  
MICROSCOPE  
CAMERAS

## ADAPTERS



adapters



● AE.5130

● NZ.9850



## adapter guide

### microscope and camera

Most Euromex cameras are supplied with a photo port c-mount adapter to connect it to any Euromex trinocular microscope\*. Monocular microscopes require the removal of the eyepiece so that the camera can be fitted into the 23.2 mm tube. Binocular microscopes require the removal of an eyepiece plus an additional mechanical adapter

\*Except for the Oxion, Oxion Inverso and Delphi-X Inverso series. These microscopes need an additional adapter. See next page

Should you want to connect one of our cameras to another microscope brand, see adapter references below:

MODELS	1/3 inch camera	1/2 inch camera	2/3 inch camera	1 inch camera
Leica <sup>(1)</sup>	AE.9835-L (0.35x)	AE.9855-L (0.55x)	AE.9870-L (0.70x)	AE.9810-L (1x) AE.9812-L (1.2x)
Olympus <sup>(2)</sup>	AE.9835-O (0.35x)	AE.9850-O (0.50x)	AE.9863-O (0.63x) AE.9880-O (0.80x)	AE.9810-O (1x) AE.9812-O (1.2x)
Zeiss <sup>(3)</sup>	AE.9835-Z (0.35x)	AE.9850-Z (0.50x)	AE.9865-Z (0.65x)	AE.9810-Z (1x) AE.9812-Z (1.2x)
Zeiss ZA <sup>(4)</sup>	--	AE.9850-ZA (0.50x)	AE.9863-ZA (0.63x) AE.9880-ZA (0.80x)	AE.9810-ZA (1x) AE.9812-ZA (1.2x)
Nikon <sup>(5)</sup>	AE.9835-N (0.35x)	AE.9855-N (0.55x)	AE.9870-N (0.70x) AE.9880-N (0.80x)	AE.9810-N (1x) AE.9812-N (1.2x)

<sup>(1)</sup> Leica DM, 35 mm to 25.4 mm C-mount, stainless steel

<sup>(2)</sup> Olympus CX, CX2, BX, BX2, IX, MX, GX, SZX, STM, 42 mm to 25.4 mm C-mount, anodized aluminum

<sup>(3)</sup> Zeiss PrimoStar, PrimoStar Vert, 30 mm to 25.4 mm C-mount, anodized aluminum

<sup>(4)</sup> Zeiss 60N-C, 60N-T2 photo ports of Axio examiner, Axio Imager, Axio Lab, Axio Observer, Axio Scope, Axio Zoom, Stemy 508 and SteREO Discovery

<sup>(5)</sup> Nikon E100, E200, 50i, 55i, 80i, 90i, Ni series, Ti Series, SMZ800, SMZ1000, SMZ15000, 38 mm to 25.4 mm C-mount, stainless steel

● AE.9835-L



### 23.2 MM PHOTO PORT C-MOUNT ADAPTERS

Suitable for all Ø 23.2 mm (photo) tubes

- DC.1324** C-mount adapter with 0.45x objective for 1/2" camera
- DC.1353** C-mount adapter with 0.37x objective, fixed focal length and short barrel\*. For 1/3" camera
- DC.1355** C-mount adapter with 0.50x objective, fixed focal length and short barrel\*. For 1/2" camera
- DC.1357** C-mount adapter with 0.75x objective, fixed focal length and short barrel\*. For 2/3" camera
- DC.1359** C-mount adapter with 1x lens, fixed focal length and short barrel, for standard 23.2 mm tube and 1 inch camera
- DC.1330** 30 mm to 23.2 mm conversion adapters
- DC.1335** 30.5 mm to 23.2 mm conversion adapters

\* for increased light efficiency

### DIGITAL SLR ADAPTERS

Digital single lens reflex camera with a APS-C sensor can be mounted on a standard 23.2 mm trinocular tube

Choose the universal DC.5130 adapter with built-in 2x objective, together with a brand-specific T-2 adapter

- AE.5130** Universal SLR camera adapter for 23.2 mm tube with built-in 2x magnification lens. Needs T2 adapter
  - AE.5025** T2 adapter for Nikon D digital SLR cameras
  - AE.5040** T2 adapter for Canon EOS digital SLR cameras
- Other T2 adapters on request



● DC.1355



● DC.1330/DC.1335



● DC.1324



● AE.5130



● AE.5120-2

### PHOTO PORT ADAPTERS

Suitable for Euromex microscopes with a photo port such as Oxion, NexusZoom, StereoBlue, Delphi-X Observer and Delphi-X Inverso

- AE.5120-2** Standard 23.2 mm diameter tube for Oxion photo port
- DI.9840** C-mount with high resolution 0.40x objective for 1/3 inch C-mount camera
- DI.9850** C-mount with high resolution 0.50x objective for 1/2 inch C-mount camera
- DI.9810** C-mount with 1x magnification for C-mount camera
- DX.9835** C-mount with high resolution relay 0.35x objective for 1/3 inch C-mount camera
- DX.9850** C-mount with high resolution relay 0.50x objective for 1/2 inch C-mount camera
- DX.9863** C-mount with high resolution relay 0.63x objective for 2/3 inch C-mount camera
- DX.9810** C-mount with 1 magnification for C-mount camera
- NZ.9850** C-mount adapter with 0.5x objective for NexusZoom microscopes and 1/2" cameras
- OX.9810** C-mount adapter with 1x magnification for 1" cameras
- OX.9833** C-mount adapter with 0.33x objective for Oxion microscopes and 1/3" cameras
- OX.9850** C-mount adapter with 0.5x objective for Oxion and Oxion Inverso microscopes and 1/2" cameras
- SB.9850** C-mount adapter with 0.5x objective for StereoBlue microscopes and 1/2" cameras

# accessories

for microscopy



accessories



product information

- ILLUMINATION SOLUTIONS • PAGE 370
- DISSECTION INSTRUMENTS • PAGE 378
- DISSECTION KITS • PAGE 380
- MICROSCOPE PREPARED SLIDES • PAGE 382
- DISPOSABLES • PAGE 394
- STAINS • PAGE 395



## illumination solutions

For stereo microscopes choosing the right illumination is essential to obtain a perfect image with maximum resolution. LED light sources have a much longer life span, less energy consumption and less heating than halogen light sources

The major advantage of LED illumination is the constant light spectrum at all light intensity levels. These light sources are suitable for all kinds of applications in industry, life sciences and materials sciences



# illumination solutions

for stereo microscopy



education



university



life science



industry

## ILLUMINATION SOLUTIONS

The right light source solution can enhance and reveal the details you want to examine



## Illumination solutions

### MULTIFUNCTIONAL 150 W HALOGEN OR 30 W POWER-LED • COLD LIGHT SOURCE

A powerful multifunctional 150 W halogen (LE.5211) and 30 W PowerLED cold light source is ideal for the advanced requirements of numerous applications in life and materials science. The intensity is adjustable and has a built-in forced air cooling. The LE.5211 and LE.5211-LED light sources require a light fiber conductor such as the single LE.5213, dual LE.5214, triple LE.5215 or the LE.5239 ring light fiber conductors. The LE.5213, LE.5214 and LE.5215 light conductors can be equipped with a lens holder (LE.5222) and a focusing lens (LE.5224).



● LE.5211-LED/LE.5211 + LE.5214 +2x LE.5222 + 2x LE.5224

<b>Power</b>	150 W halogen	30 W PowerLED (equivalent to 120 W halogen)
<b>Luminous flux</b>	21,000 lux max <sup>1)</sup>	30,000 lux max.*
<b>Color temperature</b>	3,000 K	6,500 K
<b>Operating voltage</b>	100 and 240 V AC / 12 V DC (50/60 Hz)	100-240 V AC / 12 V DC (50/60 Hz)
<b>Dimensions</b>	(h) 150 x (w) 150 x (d) 230 mm	150 (h) x 150 (w) x 230 mm (d)
<b>Weight</b>	3,9 kg	2.8 kg
<b>Model</b>	<b>LE.5211</b>	<b>LE.5211-LED</b>

\* with LE.5214 dual arm light conductor

### MULTIFUNCTIONAL 100 W HALOGEN • COLD LIGHT SOURCE

This popular multifunctional cold light source contains a 100 W halogen light source. The intensity is adjustable and it has a built-in forced air cooling. The LE.5210 light source requires a light fiber conductor such as the single LE.5213, dual LE.5214, triple LE.5215 or the LE.5239 ring light fiber conductors. The LE.5213, LE.5214 and LE.5215 light conductors can be equipped with a lens holder (LE.5222) and a focusing lens (LE.5224). Ideal for all kinds of applications in Life and Materials sciences, various industrial applications and for stereo microscopy



<b>Power</b>	100 W halogen
<b>Luminous flux</b>	20,000 lux max.*
<b>Color temperature</b>	3,000 K
<b>Operating voltage</b>	100 and 240 V AC / 12 V DC (50/60 Hz)
<b>Dimensions</b>	115 (h) x 320 (w) x 215 mm (d)
<b>Weight</b>	3.8 kg
<b>Model</b>	<b>LE.5210</b>

\* with LE.5214 dual arm light conductor

### COMPACT SINGLE 20 W LIGHT SOURCE

Compact cold light source with single 40 cm, 6 mm diameter fiber light conductor. Equipped with a 20 W halogen lamp. Light intensity is factory preset and can not be adjusted



<b>Power</b>	20 W halogen
<b>Color temperature</b>	3,000 K
<b>Operating voltage</b>	110 V AC and 230 V AC versions (50/60 Hz)
<b>Dimensions</b>	80 (h) x 110 (w) x 165 mm (d)
<b>Weight</b>	2.0 kg
<b>Model</b>	<b>LE.5209</b>

### ECONOMICAL AND COMPACT DUAL 3 W LED • LIGHT SOURCE

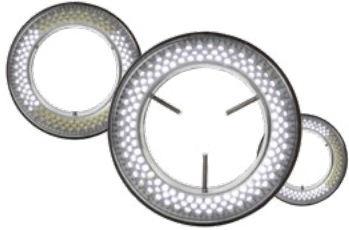
Economical dual LED intensity adjustable light source with two 44 cm flexible gooseneck arms, each mounted with a 3 W LED. Ideal for applications in life and materials sciences, various industrial applications and for stereo microscopy



<b>Power</b>	2x 3 W LED = 2x 28 W halogen equivalent
<b>Luminous flux</b>	25,000 lux
<b>Color temperature</b>	6,500 K
<b>Operating voltage</b>	100-240 V AC / 5 V DC (50/60 Hz)
<b>Dimensions</b>	70 (h) x 106 (w) x 140 mm (d)
<b>Weight</b>	1.5 kg
<b>Model</b>	<b>LE.5207</b>

### 144 LED RING LIGHT SOURCE • LE.1973

LED ring light source with high illuminance and segment illumination for all kinds of demanding applications



<b>Ring illumination</b>	144 LEDs with adjustable intensity and 4 segment illumination
<b>Color temperature</b>	6,500 K
<b>Illuminance</b>	23,000 lux at 100 mm distance
<b>working distance:</b>	from 55 to 200 mm
<b>Mounting</b>	for stereo head with diameter from 25 to 61 mm
<b>Power supply</b>	100-240 V AC / 12 V DC (50/60 Hz) / 4.5 Watt
<b>External diameter</b>	100 mm
<b>Model</b>	<b>LE.1973</b>

### COMPACT 72 LEDS • LE.1974

Compact 20,000 lux LED ring light source



<b>Ring illumination</b>	72 LEDs with adjustable intensity and 4 segment illumination
<b>Color temperature</b>	6,500 K
<b>Illuminance</b>	21,000 lux at 100 mm distance
<b>working distance:</b>	from 50 to 180 mm
<b>Mounting</b>	for stereo head with diameter from 25 to 61 mm
<b>Power supply</b>	100-240 V AC / 12 V DC (50/60 Hz) / 4 Watt
<b>External diameter</b>	100 mm
<b>Model</b>	<b>LE.1974</b>

### PROFESSIONAL HIGH POWER LED RING LIGHT SOURCES • LE.1980/ LE.1981

LED ring light source with maximum illuminance and metal construction for professional usage. With adjustable intensity, optional power supply/segment controller, diffuser, polarizers and Fresnel focusing lenses for perfect illumination of objects



MODELS	Number of LEDs	Color temperature	Illuminance	For mounting diameters	Internal/external diameter	Required power supply/controller
LE.1980	48	6,000 K	17,000 lux	from 30 to 66 mm	45/90 mm	LE.1992 Analog controller
LE.1981	48	6,000 K	17,000 lux	from 30 to 66 mm	45/90 mm	LE.1993 Digital segments controller

### PROFESSIONAL HIGH POWER LED RING LIGHT SOURCES LE.1990/ LE.1991

LED ring light source with maximum illuminance and metal construction for professional usage. With adjustable intensity, optional power supply/segment controller, diffuser, polarizers and Fresnel focusing lenses for perfect illumination of objects



MODELS	Number of LEDs	Color temperature	Illuminance	For mounting diameters	Internal/external diameter	Required power supply/controller
LE.1990	72	6,000 K	21,000 lux	from 40 to 66 mm	60/110 mm	LE.1992 Analog controller
LE.1991	72	6,000 K	21,000 lux	from 40 to 66 mm	60/110 mm	LE.1993 Digital segments controller

### ILLUMINATION STATION LE.5212

Light source station with multiple power supply connections for two self-sustaining gooseneck-type guides, one ring light and one transmitted stage illumination. For stand-alone usage or mounted on stereo microscope pillar stands with diameters up to 44 mm or with 35- and 25-mm pole mounting adapter rings

Each self-sustaining gooseneck-type LED guide is equipped with a 3-lens focusing head and has a length of 56 cm  
White 6,500 K LED ring light generating with 60 LEDs up to 24,000 Lux. Mounting diameters from 21 to 61 mm  
Transmitted light stage illumination with a 6,500 K white LED generating up to 8,000 Lux with 42 LEDs. Stage diameter 94.5 and 15 mm thick

MODELS	3 W gooseneck guide LED	4 W white LED ring light	2 W white LED transmitted light stage
LE.5212	White LED, 6,500 K	•	•
LE.5212-365	365 nm, monochrome	•	•
LE.5212-395	395 nm, monochrome	•	•
LE.5212-420	420 nm, monochrome	•	•



## FLUORESCENCE 40 HZ RING LIGHT SOURCE FOR Z SERIES STEREO ZOOM MICROSCOPES

Suitable for Z series stereo zoom microscopes, except for ZE.1659. Integrated 240 V AC power supply

Ring illumination	Fluorescent 40 kHz ring, fixed intensity
Color temperature	5,200 K
Illuminance	6,500 lux at 100 mm distance
working distance:	35-160mm
Mounting	48 mm with adapter for ZE series microscopes
Power supply	230-250 V
External diameter	100 mm
Model	<b>LE.1863</b>



## ACCESSORIES AND SPARE PARTS

### FOR LE.5210, LE.5211 AND LE.5211-LED COLD LIGHT SOURCES

#### FIBER LIGHT CONDUCTORS

- LE.5213** Single arm fiber light conductor, gooseneck self-sustaining, 50 cm long, 4 mm diameter
- LE.5214** Dual arm fiber light conductor, gooseneck self-sustaining, 50 cm long, 4 mm diameter
- LE.5215** Triple arm fiber light conductor, gooseneck self-sustaining, 50 cm long, 4 mm diameter
- LE.5219** Dual arm fiber light conductor, gooseneck self-sustaining, 70 cm long, 4 mm diameter
- LE.5239** Slit ring-shaped fiber light conductor 60 cm long, 8 mm diameter
- LE.5241** Flexible fiber light conductor, curved 90°, 60 cm long, 4 mm diameter
- LE.5216** Single arm flexible fiber light conductor, 100 cm long, 4 mm diameter
- LE.5235** Dual arm flexible fiber light conductor, 100 cm long, 4 mm diameter
- LE.5217** Triple arm flexible fiber light conductor, 100 cm long, 4 mm diameter
- LE.5218** Single arm flexible fiber light conductor, 100 cm long, 8 mm diameter
- LE.5220** Single arm flexible fiber light conductor, 200 cm long, 8 mm diameter
- LE.5222** Focusing head for focusing lens LE.5224, LE.5228 or filters LE.5229 and LE.5231 (for fiber light conductors)
- LE.5224** Focusing lens. Requires LE.5222 or LE.5228 for mounting on LE.5213, LE.5214 and LE.5215
- LE.5228** Focusing head with iris diaphragm (for fiber light conductors)
- LE.5231** Conversion KB12/80B filter

#### HALOGEN BULBS AND FUSES

- SL.5219** Halogen 100 W 12 V bulb with reflector (50 hrs nominal), MR16 fits LE.5210
- SL.5230** Halogen 100 W 12 V 'Long Life' bulb (1,000 hrs nominal), MR16 fits LE.5210

- SL.5235** Halogen 150 W 15 V bulb (50 hrs nominal), MR16 fits LE.5211
- SL.5240** Halogen 150 W 15 V 'Long Life' bulb (500 hrs nominal), MR16 fits LE.5211

#### FOR LE.1980 AND LE.1981

- LE.1984-050** Fresnel lens, WD from 40 to 80 mm
- LE.1984-100** Fresnel lens, WD from 80 to 150 mm
- LE.1984-200** Fresnel lens, WD from 150 to 240 mm
- LE.1984** Diffusing filter, for WD from 40 to 300 mm
- LE.1985** Glass protection window
- LE.1987** Polarizing filter
- LE.1888** Rotatable polarizing filter
- LE.1992** 100-230 V power supply analog controller. Intensity adjustable from 0-100%
- LE.1993** 100-230 V power supply digital segment controller. Intensity adjustable from 0-100%

#### FOR LE.1990 AND LE.1991

- LE.1994-050** Fresnel lens, WD from 40 to 80mm
- LE.1994-100** Fresnel lens, WD from 80 to 150 mm
- LE.1994-200** Fresnel lens, WD from 150 to 240 mm
- LE.1994** Diffusing filter, for WD from 40 to 300 mm
- LE.1995** Glass protection window
- LE.1997** Polarizing filter
- LE.1998** Rotatable polarizing filter
- LE.1992** 100-230 V power supply analog controller. Intensity adjustable from 0-100%
- LE.1993** 100-230 V power supply digital segment controller. Intensity adjustable from 0-100%

#### FOR LE.5212

- LE.5260** Interchangeable self-sustaining gooseneck-type guide with a white 6,500 K high-power LED for NZ.9018, LE.5207 or LE.5212, 1 pc (A)
- LE.5261** Interchangeable self-sustaining gooseneck-type guide with a 365 nm high-power UV-LED for NZ.9018, LE.5207 or LE.5212, 1 pc (B)
- LE.5262** Interchangeable self-sustaining gooseneck-type guide with a 395 nm high-power Violet-LED for

- NZ.9018, LE.5207 or LE.5212, 1 pc (C)
- LE.5263** Interchangeable self-sustaining gooseneck-type guide with a 420 nm high-power Violet-LED for NZ.9018, LE.5207 or LE.5212, 1 pc (D)
- LE.5264** Polarization filter, screw on type for Interchangeable self-sustaining gooseneck-type guides for NZ.9018, LE.5207 or LE.5212, 1 pc

#### FOR LE.1863

- SL.1864** Spare fluorescence lamp

WD = working distance



● Fresnel lens

● Polarizing filter



● Dual arm fiber light conductor



● Triple arm fiber light conductor



## PREPARATION ACCESSORIES

Euromex offers the right tools for sample preparing. Before using a microscope good samples are essential to get the most accurate results



product information

## dissection instruments

- PB.5050** Dissecting needle, straight tip with plastic handle
- PB.5054** Dissecting needle, lancet-shaped with plastic handle
- PB.5056** Blunt-pointed probe, Ø 2 mm, length 140 mm
- PB.5058** Section lifter with wooden handle
- PB.5060** Serrated thumb dressing forceps, length 13 mm
- PB.5062** Dressing forceps with blunt tips, length 13 cm
- PB.5064** Dressing forceps with blunt tips, length 20 cm
- PB.5067** Dissecting forceps with sharp tips, length 13 cm
- PB.5069** Dissecting forceps with finely curved sharp tips, length 13 cm
- PB.5077** Cover glass forceps, length 11 cm



## SCISSORS AND BLADES

- PB.5080** Dressing scissors with blunt/sharp tip, length 14 cm
- PB.5084** Dissecting scissors, sharp tips, length 11 cm
- PB.5092** Scalpel with blunt tip, length 15 cm
- PB.5094** Scalpel handle no. 4 (for blades PB.5095 and PB.5096)
- PB.5095** Scalpel blades with sharp tip, 5 pieces per set
- PB.5096** Scalpel blades with blunt tip, 5 pieces per set
- PB.5103** Strop, double sided for stropping of scalpels, microtome knives. Includes stropping paste
- PB.5105** Razor plano/concave, for sectioning. With plastic handle
- PB.5106** Microtome knife plano/concave. With fixed handle, length 17 cm



## HANDHELD MICROTOMES

- MT.5500** Cylinder microtome. Circular stage Ø 70 mm with flat black glass top. Height adjustable with micrometer division 0.01 mm. Complete with plano-concave knife PB.5106 and wooden cabinet
- MT.5501** Cylinder microtome. Identical to MT.5500 but without knife and wooden cabinet
- MT.5503** Handheld microtome. Box type with table clamp and razor blade holder. Thickness adjustment by 0.025 mm intervals. Complete with wooden cabinet



## PREPARATION ACCESSORIES



product information



### dissection kits

#### 4-PC DISSECTION KIT

##### PB.5110 IN IMITATION LEATHER CASE

Kit with straight dissecting needle (PB.5050), dissecting forceps (PB.5067), dissecting scissors (PB.5084) and scalpel (PB.5092). Supplied with imitation leather case

#### 6-PC DISSECTION KIT

##### PB.5111 IN PLASTIC CASE

Kit with straight dissecting needle (PB.5050), lancet-shaped dissecting needle (PB.5054), dissecting forceps (PB.5067), dissecting scissors (PB.5084), scalpel handle no. 4 (PB.5094) and blades (PB.5096). Supplied with plastic case

#### 10-PC DISSECTION KIT

##### PB.5112 IN IMITATION LEATHER CASE

Kit with two straight dissecting needles (PB.5050), lancet-shaped dissecting needle (PB.5054), dressing forceps (PB.5062), dissecting forceps (PB.5067), scissors (PB.5080), dissecting scissors (PB.5084), two scalpels (PB.5094), five scalpel blades with straight tip and five blades with blunt tip (PB.5095/PB.5096). Supplied with imitation leather case



● PB.5112

#### 9-PC DISSECTION KIT

##### PB.5114 IN WOODEN CASE

Kit with two straight dissecting needles (PB.5050), lancet-shaped dissecting needle (PB.5054), dressing forceps (PB.5062), dissecting forceps (PB.5067), scissors (PB.5080), dissecting scissors (PB.5084), two scalpels (PB.5094), five scalpel blades with straight tip and five blades with blunt tip (PB.5095/PB.5096). Supplied with wooden cabinet



● PB.5114

#### 6-PC DISSECTION KIT FOR KOI FISH

##### PB.5115 IN PLASTIC CASE

Dissecting set for Koi fish. Consisting of plastic box with forceps with 1 x 2 points (PB.5060), forceps blunt points, 13 cm (PB.5062), scissors, blunt/ sharp points, 14 cm (PB.5080), microscope scissors, sharp points, 11 cm (PB.5084), blunt-pointed probe (PB.5056), scalpel handle no. 4 (PB.5094), five scalpel blades with straight tip and five blades with blunt tip (PB.5095/PB.5096)



● PB.5115

#### PROFESSIONAL SLIDE PREPARATION KIT

##### PB.5125 IN PLASTIC DELUXE CASE

Kit with three prepared slides, 50 microscope slides (PB.5150) and 100 cover glasses (PB.5165). Two microscope slides with cavity. Canada balsam, dissecting needle (PB.5050 and PB.5054). Dissecting forceps (PB.5067), dissecting scissors (PB.5084) and scalpel (PB.5092). Supplied with plastic deluxe case



● PB.5125

● PB.5110

● PB.5111

## MICROSCOPE PREPARED SLIDES



Euromex offers teachers, students and microscopy amateurs a wide range of quality micro-slides, which can be used immediately in biology classes as introduction to histology, zoology and botany

## sets with 25 slides for education

### histology, zoology and botany set

#### PB.5211 FOR EDUCATION

Set with 25 microscopy slides for education: histological samples of mammals, zoology and botany. All microscope slides are supplied in a plastic box for 25 slides. The set contains:

#### HISTOLOGY

- SH.1011** Hard bone grinding, human, section
- SH.1045** Skeletal muscle, dog, l.s and c.s
- SH.1072** Skin section through hair follicle, human
- SH.1078** Stratified flat epithelium, dog, section
- SH.1150** Blood smear, human, Giemsa stained

#### ZOOLOGY

- SZ.1510** Amoeba proteus, w.m
- SZ.1580** Hydra with bud, w.m
- SZ.1640** Lumbricus - earthworm, c.s
- SZ.1655** Daphnia sp., water flea, w.m
- SZ.1715** Musca domestica, house fly, mouth parts
- SZ.1717** Musca domestica, house fly, leg with clinging pads
- SZ.1719** Musca domestica, house fly, wing w.m

#### BOTANY

- SB.2006** Allium cepa, onion, scale epidermis, w.m
- SB.2009** Allium cepa, onion, mitosis root tip, l.s
- SB.2055** Zea mays, corn, stem, cs
- SB.2060** Triticum aestivum, wheat, stem, c.s
- SB.2070** Helianthus, sunflower, young stem, c.s
- SB.2130** Helianthus, sunflower, leaf, c.s
- SB.2205** Monocot/dicot flower, zea mays/ranunculus, c.s
- SB.2212** Lilium, lily, ovary, c.s
- SB.2335** Mnium, w.m
- SB.2355** Rhizopus nigricans, bread mold, developed sporangia
- SB.2377** Diatoms, w.m
- SB.2381** Spirogyra sp., vegetative mass, w.m
- SB.2405** Dental plaque, smear

## histology, zoology and botany set

#### PB. 5212 FOR EDUCATION

Set with 25 microscopy slides for education: histological samples of mammals, zoology and botany. All microscope slides are supplied in a plastic box for 25 slides. The set contains:

#### HISTOLOGY

- SH.1001** Loose connective tissue, rabbit
- SH.1005** Hyaline cartilage rabbit, section
- SH.1160** Lymph node, rabbit, section
- SH.1230** Small intestine, dog, c.s
- SH.1250** Liver, pig, section
- SH.1430** Cerebrum section, dog

#### ZOOLOGY

- SZ.1520** Paramecium, w.m
- SZ.1625** Schistosoma Japonicum, fluke eggs, bilharziose
- SZ.1630** Taenia, tapeworm cattle, mature proglottid, w.m
- SZ.1635** Ascaris megalcephala, horse roundworm, female + male, c.s
- SZ.1708** Apis mellifica, honey bee, mouth parts
- SZ.1725** Periplaneta, cockroach, mouth parts of chewing type
- SZ.1730** Pieris brassicae, cabbage-white butterfly, mouth, w.m
- SZ.1750** Periplaneta, cockroach, spiracle of insect, w.m

#### BOTANY

- SB.2095** Monocot/dicot stem, zea mays/pumpkin, c.s
- SB.2105** Hibiscus, young stem, c.s
- SB.2110** Cucurbita, pumpkin, stem, l.s
- SB.2115** Sambucus, elderberry or Morus Alba, mulberry, stem with cork cambium + lenticels, c.s
- SB.2160** Lilium, lily leaf, c.s
- SB.2225** Zea mays, corn, corn seed with embryo, l.s
- SB.2235** Pirus, pear, stone cells, section
- SB.2240** Triticum aestivum, wheat, kernel, l.s
- SB.2305** Cyrtomium, holly fern, c.s of rhizom
- SB.2310** Cyrtomium, holly fern, section
- SB.2386** Oscillatoria, blue-green algae

#### USED ABBREVIATIONS

USED ABBREVIATIONS	
<b>c.s</b>	cross section
<b>l.s</b>	longitudinal section
<b>w.m</b>	whole mount

## histology, zoology and botany set

#### PB. 5213 FOR EDUCATION

Set with 25 microscopy slides for education: histological samples of mammals, zoology and botany. All microscope slides are supplied in a plastic box for 25 slides. The set contains:

#### HISTOLOGY

- SH.1006** Elastic cartilage, rabbit
- SH.1040** Smooth muscle, teased preparation, rabbit, l.s+c.s
- SH.1110** Lung with injected blood vessels, rabbit, c.s

- SH.1130** Artery and vein, rabbit, c.s
- SH.1410** Nerve, rabbit, c.s and l.s

## ZOOLOGY

- SZ.1535** Euglena virides, a flagellate with eyespot  
**SZ.1586** Hydra, w.m of tentacles  
**SZ.1620** Schistosoma Japonicum, female, w.m  
**SZ.1705** Apis mellifica, honey bee, posterior leg, w.m  
**SZ.1733** Pieres brassicae, cabbage-white butterfly, part of wing  
**SZ.1738** Locusta, grasshopper, mouth parts, w.m  
**SZ.1780** Insects - four types of legs, honey bee, house fly, house mosquito, spider  
**SZ.1877** Rana sp, frog, blood smear

## BOTANY

- SB.2011** Zea mays, corn root tip with hairs, l.s  
**SB.2020** Helianthus, sunflower, old root, c.s  
**SB.2025** Monocot/dicot plant roots, zea mays/helantius, c.s  
**SB.2040** Solanum tuberosum, potato, starch grains  
**SB.2075** Tilia, lime tree, one year stem, c.s  
**SB.2091** Hydrilla stem, c.s  
**SB.2100** Pelargonium hortorum, geranium, stem c.s  
**SB.2337** Mniium, antheridial branch, l.s  
**SB.2339** Mniium, archegonial branch, l.s  
**SB.2373** Coprinus, ink caps mushroom, section of pleus  
**SB.2380** Spirogyra sp. in conjugation  
**SB.2420** 3 types of bacteria, cocci, bacilli, spirelli

# histology, zoology and botany set

## PB. 5214 FOR EDUCATION

Set with 25 microscopy slides for education: histological samples of mammals, zoology and botany.

All microscope slides are supplied in a plastic box for 25 slides. The set contains:

## HISTOLOGY OF MAMMALS

- SH.1060** Tendon l.s (Dense connective tissue), dog  
**SH.1075** Skin section with sweat gland, human  
**SH.1330** Testis rabbit, c.s  
**SH.1340** Ovary rabbit with developed eggs  
**SH.1360** Sperm, human, smear  
**SH.1490** Retina, rabbit, sec

## ZOOLOGY

- SZ.1522** Paramecium conjugation w.m  
**SZ.1524** Paramecium in fission, w.m  
**SZ.1540** Trachelomonas, a free swimming type euglena  
**SZ.1585** Hydra with endoderm + ectoderm, c.s  
**SZ.1710** Apis mellifica - honey bee compound eye, w.m  
**SZ.1720** Culex pipiens - house mosquito, larva w.m  
**SZ.1724** Giant chromosomes of salivary gland, w.m  
**SZ.1810** Mya arenaria, clam gill, c.s  
**SZ.1860** Lancelet, Section through gonads and gills, c.s

## BOTANY

- SB.2015** Ranunculus, buttercup, root c.s  
**SB.2076** Tilia, lime tree, 1, 2 & 3 year stem, c.s on one slide  
**SB.2080** Pinus - pine tree, stem l.s  
**SB.2140** Triticum, wheat, leaf, c.s  
**SB.2150** Monocot/dicot leaves, zea mays/ligustrum lucidum, c.s  
**SB.2230** Pinus, pine tree, male (cone) globose fruit l.s  
**SB.2232** Pinus, pine tree, female (cone) globose fruit l.s  
**SB.2315** Fern, prothallium w. young sporophyte w.m  
**SB.2320** Cyrtomium, fern, leaf with sporangia  
**SB.2384** Volvox sp. w.m

# histology, zoology and botany set

## PB. 5215 FOR EDUCATION

Set with 25 microscopy slides for education: histological samples of mammals, zoology and botany.

All microscope slides are supplied in a plastic box for 25 slides. The set contains:

## HISTOLOGY

- SH.1043** Cardiac muscle, dog, l.s  
**SH.1070** Squamous epithelium, human, isolated cells from mouth, smear  
**SH.1315** Kidney rat, sec. cortex & medulla  
**SH.1420** Cerebellum section, dog  
**SH.1450** Spinal cord, rabbit, c.s  
**SH.1470** Taste buds, rabbit, l.s

## ZOOLOGY

- SZ.1610** Planaria, flat worm, injected intestinal tube, w.m  
**SZ.1636** Ascaris megaloccephala, horse roundworm, mitosis eggs  
**SZ.1760** Ctenocephalus canis, dog flea, w.m  
**SZ.1770** Tetranychus, red spider mite, w.m  
**SZ.1930** Bird, wing and down feather, section  
**SZ.1940** Chicken, embryo 48 hours, sagittal section

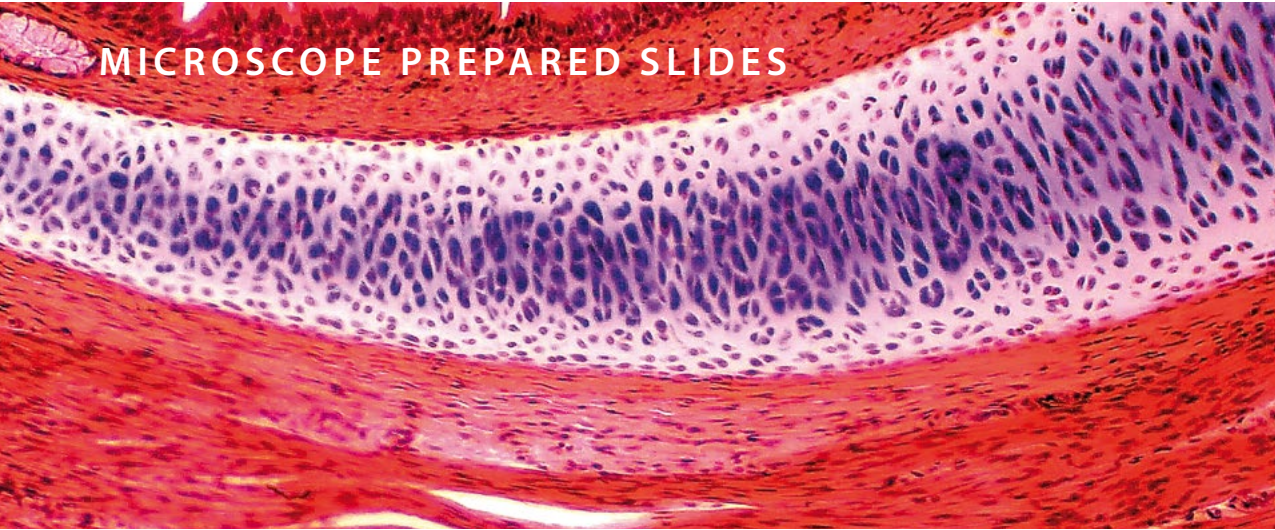
## BOTANY

- SB.2090** Hydrilla verticillata, hydrilla stem tip, l.s  
**SB.2112** Cucurbita, pumpkin, stem, c.s  
**SB.2135** Nerium oleander, leaf with sunken stomata, c.s  
**SB.2210** Lilium, lily, anther with mature pollen, c.s  
**SB.2214** Lilium, lily, pollen, different stages of meiosis  
**SB.2220** Capsella, shepherds' purse, ovary w. embryo in pre-cotyledon stadium, l.s  
**SB.2222** Capsella, shepherds' purse, ovary w. embryo in cotyledon stadium, l.s  
**SB.2234** Pinus, pine tree, pollen, w.m  
**SB.2330** Marchantia, liverworts, thallus with gemma cup, c.s  
**SB.2360** Saccaromyces sp., yeast, budding, w.m  
**SB.2365** Penicillium sp., w.m  
**SB.2410** Streptococcus lactis, milk bacteria, smear  
**SB.2415** Bacillus subtilis, hay bacteria, smear

### USED ABBREVIATIONS

<b>c.s</b>	cross section
<b>l.s</b>	longitudinal section
<b>w.m</b>	whole mount

## MICROSCOPE PREPARED SLIDES



### sets with 23 slides for education

#### mammal histology set

##### PB.5221 SET FOR EDUCATION

Set with 23 microscopy slides for education: histological samples of mammals.  
All microscope slides are supplied in a plastic box for 25 slides. The set contains:

##### EPITHELIUM AND CONNECTIVE TISSUES

- SH.1001** Loose connective tissue, rabbit
- SH.1005** Hyaline cartilage, rabbit, section
- SH.1011** Hard bone grinding, human, section
- SH.1049** Muscle types, striated, smooth, heart muscle, dog, l.s
- SH.1060** Tendon, dog, l.s
- SH.1070** Squamous epithelium, human, isolated cells from mouth, smear
- SH.1072** Skin section through hair follicle, human
- SH.1078** Stratified flat epithelium, dog, section

##### RESPIRATORY, BLOOD CIRCULATION AND ENDOCRINE SYSTEM

- SH.1120** Trachea rabbit, c.s
- SH.1130** Artery and vein, rabbit, c.s
- SH.1150** Blood smear, human, Giemsa stained

##### DIGESTIVE SYSTEM

- SH.1210** Stomach wall, dog, section
- SH.1230** Small intestine, dog, c.s
- SH.1250** Liver, pig, section

##### URINARY AND GENITAL SYSTEM

- SH.1310** Injected kidney, rabbit, sec
- SH.1330** Testis, rabbit, c.s
- SH.1340** Ovary with developed eggs, rabbit
- SH.1376** Human chromosomes in blood, female

##### NERVOUS SYSTEM AND SENSORY ORGANS

- SH.1410** Nerve, rabbit, c.s and l.s
- SH.1430** Cerebrum section, dog
- SH.1450** Spinal cord, rabbit, c.s
- SH.1470** Taste buds, rabbit, l.s
- SH.1490** Retina, rabbit, sec

#### mammal histology set

##### PB.5222 SET FOR EDUCATION

Set with 23 microscopy slides for education: histological samples of mammals.  
All microscope slides are supplied in a plastic box for 25 slides. The set contains:

##### EPITHELIUM AND CONNECTIVE TISSUES

- SH.1006** Elastic cartilage, rabbit
- SH.1012** Hard bone grinding of rabbit, tooth, de-calcium
- SH.1040** Smooth muscle, teased preparation, rabbit, l.s+c.s
- SH.1043** Cardiac muscle, dog, l.s
- SH.1045** Skeletal muscle, dog, l.s and c.s
- SH.1075** Skin section with sweat gland, human
- SH.1080** Ciliated epithelium, trachea, rabbit

##### RESPIRATORY, BLOOD CIRCULATION AND ENDOCRINE SYSTEM

- SH.1110** Lung with injected blood vessels, rabbit, c.s
- SH.1140** Pancreas, rabbit, section
- SH.1160** Lymph node, rabbit, section
- SH.1170** Thyroid gland, rabbit, section
- SH.1180** Adrenal gland, rabbit, section

##### DIGESTIVE SYSTEM

- SH.1220** Oesophagus dog, c.s
- SH.1235** Large intestine, dog, c.s
- SH.1260** Gall bladder, dog, section
- SH.1280** Golgi apparatus in Basal spinal ganglion, dog

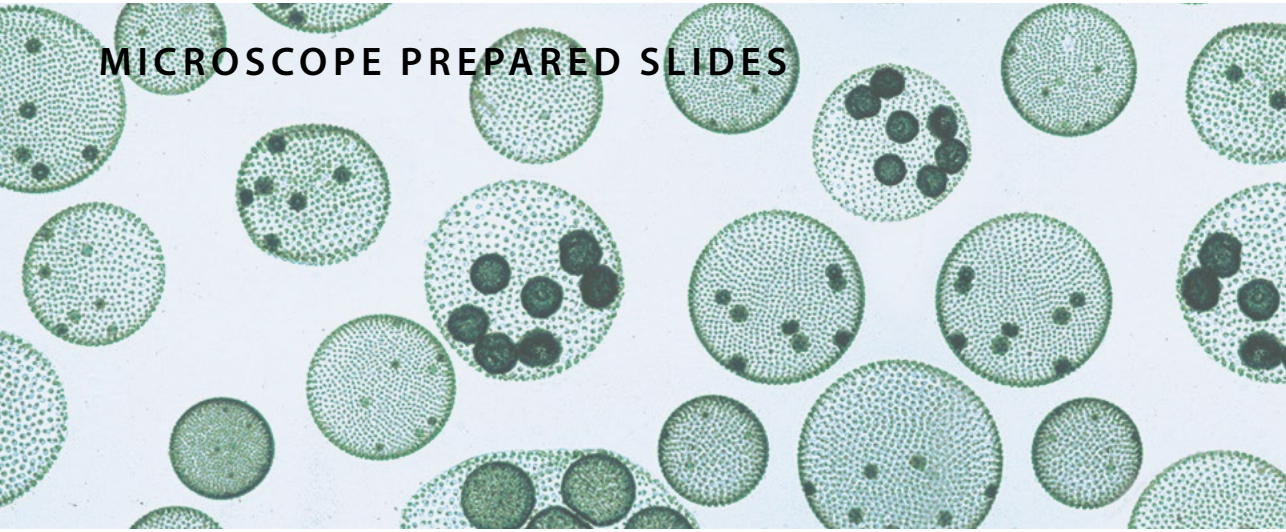
##### URINARY AND GENITAL SYSTEM

- SH.1315** Kidney, rat, sec. cortex & medulla
- SH.1360** Sperm, human, smear
- SH.1375** Human chromosomes in blood, male
- SZ.1724** Fruit fly, drosophila, giant chromosomes of salivary gland, w.m

##### NERVOUS SYSTEM AN SENSORY ORGANS

- SH.1415** Motor nerve cells with end plates, rabbit, w.m
- SH.1420** Cerebellum section, dog
- SH.1480** Eyeball section, rabbit, sagittal section

## MICROSCOPE PREPARED SLIDES



### set for hobby 10 slides

#### zoology and botany set

##### PB.5204 SET FOR HOBBY

Set with 10 prepared microscopy slides for hobby: zoology and botany.

All microscope slides are supplied in a plastic box with transparent cover for 25 slides. The set contains:

##### ZOOLOGY

- SH.1040** Smooth muscle, teased preparation, rabbit, l.s and c.s
- SH.1110** Lung with injected blood vessels, rabbit, c.s
- SZ.1708** *Apis mellifica*, honey bee, mouth parts
- SZ.1733** *Pieris brassicae*, cabbage-white butterfly, part of wing
- SZ.1877** *Rana* sp, frog, blood smear
- SB.2015** *Ranunculus*, buttercup, root, c.s

##### BOTANY

- SB.2160** *Lilium*, lily leaf, c.s
- SB.2222** *Capsella*, shepherds' purse, ovary w. embryo in cotyledon stadium, l.s
- SB.2374** *Aspergillus*, brown mold, w.m
- SB.2384** *Volvox* sp., w.m

##### USED ABBREVIATIONS

<b>c.s</b>	cross section
<b>l.s</b>	longitudinal section
<b>w.m</b>	whole mount

### set for hobby 25 slides

#### slides of histology, zoology and botany

##### PB.5218 SET FOR HOBBY

Set with 25 prepared microscopy slides for hobby: zoology and botany.

All microscope slides are supplied in a plastic box with transparent cover for 25 slides. The set contains:

##### HISTOLOGY OF HUMAN AND MAMMALS

- SH.1072** Skin section through hair follicle, human
- SH.1150** Blood smear human, Giemsa stained
- SH.1415** Motor nerve cells with end plates, rabbit w.m
- SH.1470** Taste buds, rabbit, l.s

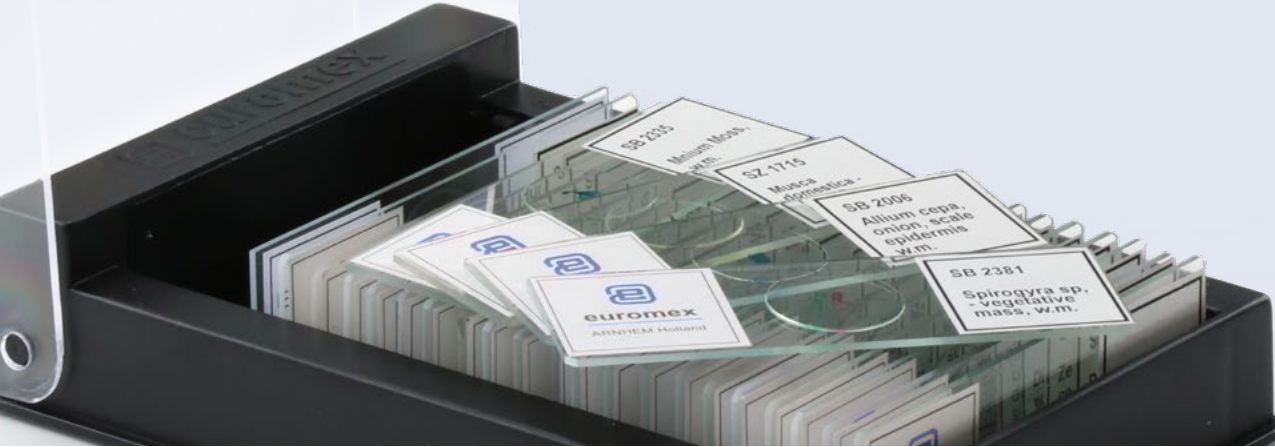
##### BOTANY

- SB.2009** *Allium cepa*, onion, mitosis root tip, l.s
- SB.2055** *Zea mays*, corn, stem, cs
- SB.2075** *Tilia*, lime tree, one year stem, c.s
- SB.2100** *Pelargonium hortorum*, geranium, stem c.s
- SB.2112** *Cucurbita*, pumpkin, stem, c.s
- SB.2130** *Helianthus*, sunflower, leaf, c.s
- SB.2135** *Nerium oleander*, leaf with sunken stomata, c.s
- SB.2210** *Lilium*, lily, anther with mature pollen, c.s
- SB.2225** *Zea mays*, corn, corn seed with embryo, l.s

##### ZOOLOGY

- SZ.1520** *Paramecium*, w.m
- SZ.1535** *Euglena virides*, a flagellate with eyespot
- SZ.1580** *Hydra* with bud, w.m
- SZ.1630** *Taenia*, tapeworm cattle, mature proglottid, w.m
- SZ.1635** *Ascaris megalocephala*, horse roundworm, female and male, c.s
- SZ.1640** *Lumbricus*, earthworm, c.s
- SZ.1655** *Daphnia* sp., water flea, w.m
- SZ.1705** *Apis mellifica*, honey bee, posterior leg, w.m
- SZ.1710** *Apis mellifica*, honey bee compound eye, c.s
- SZ.1719** *Musca domestica*, house fly, wing w.m
- SZ.1722** *Culex pipiens*, house mosquito, female, mouth parts
- SZ.1724** Fruit fly, *Drosophila*, giant chromosomes of salivary gland, w.m

## MICROSCOPE PREPARED SLIDES



## individual euoslides prepared slides

Euromex supplies complete sets and individual prepared microscope slides for educational use as well as for the hobby market

These high quality microscope slides are usually supplied directly from stock, at the very best prices. The slides on the next page are separately available



### HOW TO ORDER INDIVIDUAL EUOSLIDES

Minimum purchase quantity is 10 pieces of the same slide

The individual slides always have to be ordered together with a storage box (e.g. PB.5181 for 25 slides)

## individual euoslides for histology

These histological microscope slides consist of sample of epithelium and connective tissues, the respiratory system, blood circulation, endocrine system, digestive system, urinary and genital systems, nervous system and sensory organs

### EPITHELIUM AND CONNECTIVE TISSUES

- SH.1001** Loose connective tissue, rabbit
- SH.1005** Hyaline cartilage rabbit, section
- SH.1006** Elastic cartilage, rabbit
- SH.1011** Hard bone grinding, human, section
- SH.1012** Hard bone grinding of rabbit, tooth, decalcium
- SH.1040** Smooth muscle, teased preparation, rabbit, l.s and c.s
- SH.1045** Skeletal muscle, dog, l.s and c.s
- SH.1049** Muscle types, striated, smooth, heart muscle, dog, l.s
- SH.1060** Tendon, dog, l.s
- SH.1072** Skin section through hair follicle, human
- SH.1078** Stratified flat epithelium, dog, section
- SH.1080** Ciliated epithelium, trachea, rabbit

### RESPIRATORY, BLOOD CIRCULATION AND ENDOCRINE SYSTEM

- SH.1110** Lung with injected blood vessels, rabbit, c.s
- SH.1120** Trachea, rabbit, c.s
- SH.1130** Artery and vein, rabbit, c.s
- SH.1140** Pancreas, rabbit, section
- SH.1150** Blood smear, human, Giemsa stained
- SH.1160** Lymph node, rabbit, section

### DIGESTIVE SYSTEM

- SH.1220** Oesophagus, dog, c.s
- SH.1230** Small intestine, dog, c.s
- SH.1250** Liver, pig, section

### URINARY AND GENITAL SYSTEM

- SH.1310** Injected kidney, rabbit, section
- SH.1330** Testis, rabbit, c.s
- SH.1340** Ovary with developed eggs, rabbit
- SH.1360** Sperm, human, smear

### NERVOUS SYSTEM AND SENSORY ORGANS

- SH.1410** Nerve, rabbit, c.s and l.s
- SH.1415** Motor nerve cells with end plates, rabbit, w.m
- SH.1420** Cerebellum section, dog
- SH.1450** Spinal cord, rabbit, c.s
- SH.1470** Taste buds, rabbit, l.s
- SH.1490** Retina, rabbit, section

### USED ABBREVIATIONS

<b>c.s</b>	cross section
<b>l.s</b>	longitudinal section
<b>w.m</b>	whole mount

## individual euroslides for zoology

This series of zoology microscopy slides consists of samples with single-cell organisms (protozoa), coelenterate, worms (helminthes), Crustaceans (crustaceae), insects and amphibians

### PROTOZOA

- SZ.1510** Amoeba proteus, w.m
- SZ.1520** Paramecium, w.m
- SZ.1522** Paramecium in conjugation w.m
  
- SZ.1535** Euglena virides, a flagellate with eyespot
- SZ.1540** Trachelomonas, a free swimming type euglena

### COELENTERATA

- SZ.1580** Hydra with bud, w.m

### HELMINTHES

- SZ.1630** Taenia, tapeworm pig, mature proglottid, w.m
- SZ.1635** Ascaris megalcephala, horse roundworm, female + male c.s
- SZ.1636** Ascaris megalcephala, horse roundworm, mitosis eggs
- SZ.1640** Lumbricus, earthworm, c.s

### CRUSTACEANS

- SZ.1655** Daphnia sp., water flea, w.m

### INSECTS

- SZ.1705** Apis mellifica, honey bee, posterior leg, w.m
- SZ.1708** Apis mellifica, honey bee, mouth parts
- SZ.1710** Apis mellifica, honey bee compound eye, c.s
- SZ.1719** Musca domestica, house fly, wing, w.m
- SZ.1720** Culex pipiens, house mosquito, larva, w.m
- SZ.1722** Culex pipiens, house modquito, female, mouth parts
- SZ.1724** Drosophila, fruit fly, giant chromosomes of salivary gland, w.m
- SZ.1730** Pieres brassicae, cabbage-white butterfly, mouth, w.m
- SZ.1733** Pieres brassicae, cabbage-white butterfly, part of wing
- SZ.1738** Locusta, grasshopper, mouth parts, w.m
- SZ.1760** Ctenocephalus canis, dog flea, w.m
- SZ.1780** Insects- four types of legs, honey bee, house fly, house modquito, spider

### AMPHIBIANS

- SZ.1877** Rana sp, frog, blood smear
- SZ.1880** Frog uncleaved egg, c.s
- SZ.1881** Frog egg, two cells stadium, c.s
- SZ.1883** Frog egg, advanced cleavage c.s
- SZ.1885** Frog egg, blastula phase, c.s
- SZ.1887** Frog egg, early gastrula phase, c.s
- SZ.1889** Frog egg, advanced gastrula phase, c.s

## individual euroslides for botany

This series of botanic microscopy slides consists of samples of sections of roots, stems, leaves, flowers, fruits and seeds, ferns and mosses, fungi, algae and bacteria

### ROOTS

- SB.2006** Allium cepa, onion, scale epidermis, w.m
- SB.2009** Allium cepa, onion, mitosis root tip, l.s
- SB.2015** Ranunculus, buttercup, root, c.s
  
- SB.2020** Helianthus, sunflower, old root, c.s
- SB.2025** Monocot/dicot plant roots, zea mays/helantius, c.s
- SB.2040** Solanum tuberosum, potato, starch grains

### STEMS

- SB.2055** Zea mays, corn, stem, c.s
- SB.2060** Triticum aestivum, wheat, stem, c.s
- SB.2070** Helianthus, sunflower, young stem, c.s
- SB.2076** Tilia, lime tree, 1, 2 and 3 year stems on one slide, c.s
- SB.2095** Monocot/dicot stem, corn/pumpkin, c.s
- SB.2100** Pelargonium hortorum, geranium, stem, c.s
- SB.2105** Hibiscus, young stem, c.s
- SB.2115** Sambucus, elderberry or Morus Alba, mulberry, stem with cork cambium and lenticels, c.s

### LEAVES

- SB.2130** Helianthus, sunflower, leaf, c.s
- SB.2135** Nerium oleander, leaf with sunken stomata, c.s
- SB.2140** Triticum, wheat, leaf, c.s
- SB.2150** Monocot/dicot leaves, zea mays/ligustrum lucidum, c.s
- SB.2160** Lilium, lily leaf, c.s

### FLOWERS, FRUITS AND SEEDS

- SB.2205** Monocot/dicot flower, zea mays/ranunculus, c.s
- SB.2210** Lilium, lily, anther with mature pollen, c.s
- SB.2212** Lilium, lily, ovary, c.s
- SB.2214** Lilium, lily, pollen, different stages of meiosis
- SB.2220** Capsella, shepherds' purse, ovary w. embryo in pre-cotyledon stadium, l.s
- SB.2222** Capsella, sheperd's purse, ovary w. embryo in cotyledon stadium, l.s
- SB.2225** Zea mays, corn seed with embryo, l.s
- SB.2232** Pinus, pine tree, female (cone) globose fruit, l.s
- SB.2240** Triticum aestivum, wheat, kernel, l.s

### FERNS AND MOSSES

- SB.2315** Cyrtomium, holly fern, prothallium with young sporophyt, w.m
- SB.2337** Mnium, antheridial branch, l.s
- SB.2339** Mnium, archegonial branch, l.s

### FUNGI

- SB.2360** Saccaromyces sp., yeast, budding, w.m
- SB.2365** Penicillium sp., w.m
- SB.2373** Coprinus, ink caps mushroom, section of pileus
- SB.2374** Aspergillus, brown mold, w.m

### ALGAE

- SB.2377** Diatoms, w.m
- SB.2380** Spirogyra sp. in conjugation
- SB.2384** Volvox sp., w.m

### BACTERIA

- SB.2420** 3 types of bacteria, cocci, bacilli, spirelli

### HOW TO ORDER INDIVIDUAL EUROSLIDES

Minimum purchase quantity is 10 pieces of the same slide

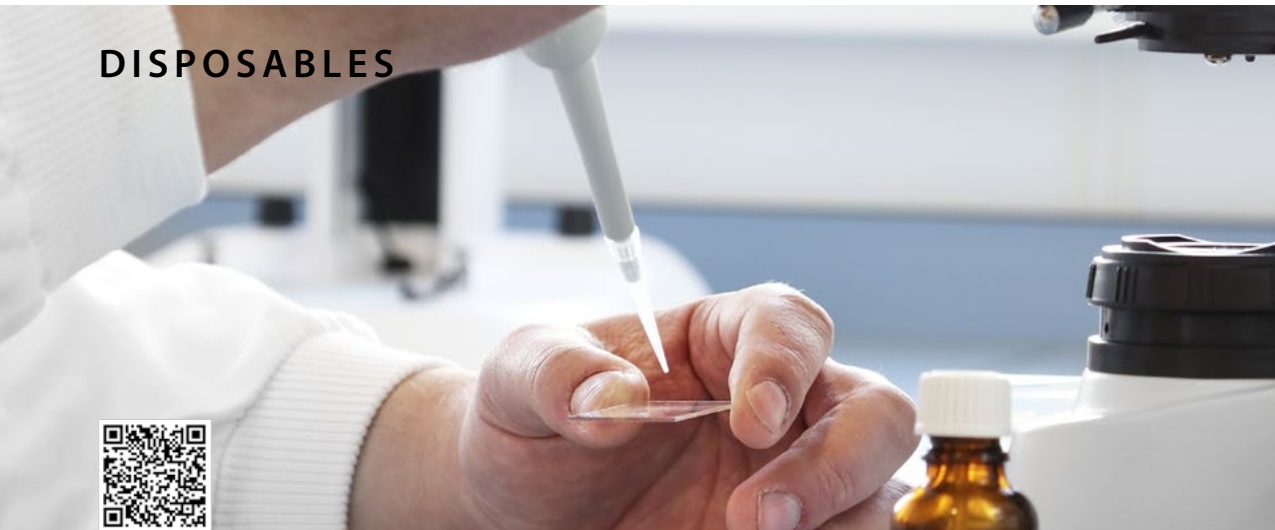
The individual slides always have to be ordered together with a storage box (e.g. PB.5181 for 25 slides)



## DISPOSABLES



product information



## disposables

### MICROSCOPE SLIDES AND COVER GLASSES

- PB.5150** Microscope slides 76 x 26 mm, half white glass, cut edges. 50 pieces
- PB.5155** Microscope slides 76 x 26 mm white glass, ground edges. 50 pieces
- PB.5157-W** Microscope slides 76 x 26 mm, ground white frosted side, 50 pieces
- PB.5157-B** Microscope slides 76 x 26 mm, ground blue frosted side, 50 pieces
- PB.5160** Microscope slides 76 x 26 mm with concavity, ground edges. 10 pieces
- PB.5165** Cover glasses 18 x 18 mm, thickness 0.13-0.17 mm. 100 pieces

- PB.5168** Cover glasses 22 x 22 mm, thickness 0.13-0.17 mm. 100 pieces
- PB.5170** Cover glasses Ø18 mm, thickness 0.13-0.17 mm. 100 pieces

### MICROSCOPE SLIDE BOXES

- PB.5181** Black plastic slide box for 25
- PB.5180** Wooden slide box for 25 slides. White interior with index
- PB.5185** Black plastic slide box for 100 slides



● PB.5150

● PB.5180

● PB.5168 / PB.5170

## STAINS

Staining enables observation of cells and tissues of low contrast. Euromex offers a range of common stains



product information



### MISCELLANEOUS ACCESSORIES

- PB.5200** Staining trough for 10 slides
- PB.5210** Fine pointed brush
- PB.5245** Lens paper. 100 sheets
- PB.5250** Solid paraffin. Melting point 60°C, 200 grams
- PB.5255** Immersion oil, refractive index nD = 1.515. (25 ml)
- PB.5265** Entellan, quick drying Canada balsam. In bottle (25 ml)
- PB.5274** Isopropyl alcohol 99%. In bottle (200 ml)
- PB.5277** Formalin 40%, fixing agent. In bottle (200 ml)
- PB.5275** Cleaning kit: lens cleaning fluid, lint free lens tissue, brush, air blower, cotton swabs
- PB.5276** Microscope maintenance and servicing kit, 16pcs: cleaning brush, 6 pcs screwdriver set, air blower, 3 pcs Allen key, 1.5, 2, 2.5 mm, lens cleaning fluid 20 ml, cleaning cloth 140 x 140 mm, 100 pcs lens tissue sheets, tube of maintenance grease, 10 ml bottle of oil, packed in a nice toolbox



● PB.5276

● PB.5286 - PB.5297

### (DISSOLVED) STAINS

Supplied in 25 ml bottles

- PB.5283** Eosin yellow. Stain for general overall-view coloring
- PB.5286** Haematoxylin according to Ehrlich. General purpose nuclear stain
- PB.5289** Astra Blue. Stain for vegetal cells. To be used in combination with safranin
- PB.5292** Orange-G, stain for most elementary structures of animal tissues
- PB.5295** Safranin. A general stain for showing nuclei and cellulose walls. To be used in combination with Astra Blue
- PB.5297** Methylene Blue. Biological and bacteriological stain
- PB.5300** Analin Blue, to be used as third color for Azo pigmentation
- PB.5305** Fuchsin. For staining bacilli in tissue



● PB.5210

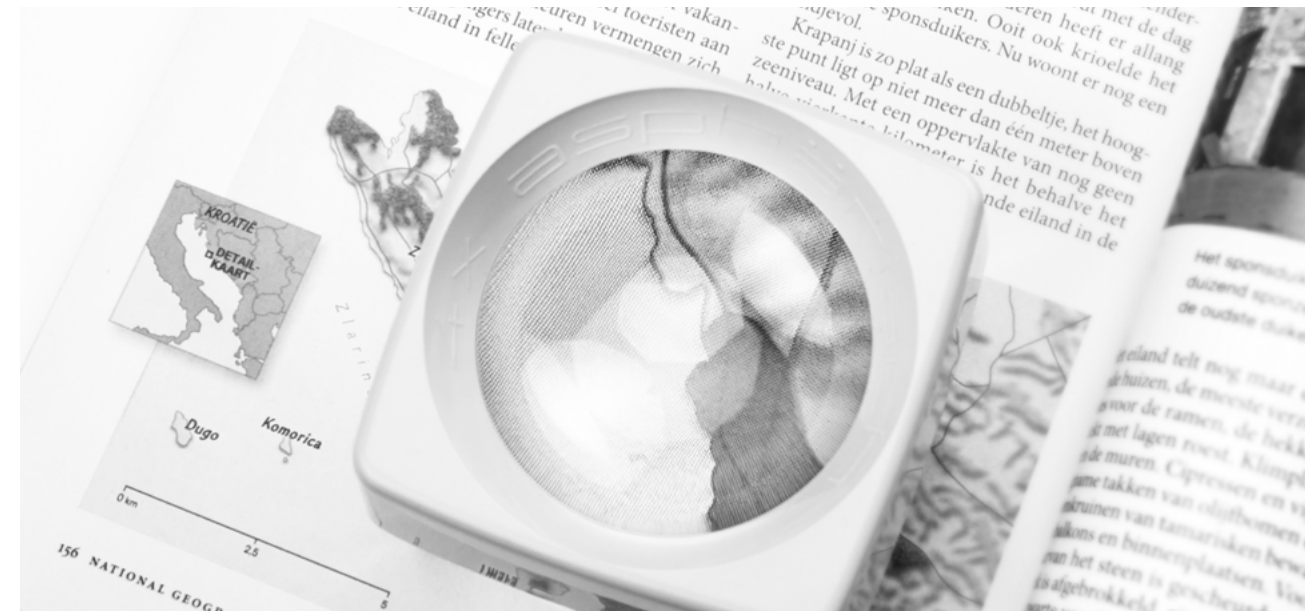
● PB.5245

# other products

## optical instruments



optical instruments



Euromex offers a large range of optical products for a wide variety of applications in different fields

Our high-quality magnifiers, refractometers and other optical instruments all ensure an excellent optical quality and unmatched durability



product information

- MAGNIFIERS & MEASURING MICROSCOPES • PAGE 398**
- REFRACTOMETERS • PAGE 402**
- POLARIMETERS • PAGE 408**
- SPECTROMETERS • PAGE 410**

# MAGNIFIERS & MEASURING MICROSCOPES

Magnifiers are widely used by biologists, jewelers, watchmakers and philatelists to accurately observe all details of the object



product information

## handheld magnifiers and magnifiers with handles

- PB.5020** Magnifier with handle 4x, lens Ø 50 mm and handle Ø 8 mm. Fits on PB.5022
- PB.5021** Magnifier with handle 10x, aplanatic lens Ø 25 mm and handle Ø 8 mm. Fits on PB.5022
- PB.5022** Heavy stand with adjustable cross clamp, base Ø 70 mm. Weight 450 grams. For PB.5022 and PB.5021



● PB.5020

● PB.5021

● PB.5022

## FOLDING MAGNIFIERS

- PB.5016** Aplanatic magnifier 6x, doublet. Lens Ø 20 mm. Field of view 25 mm
- PB.5018** Aplanatic magnifier 15x, doublet. Lens Ø 18 mm. Field of view 14 mm
- PB.5032** Achromatic magnifier 10x, triplet. Lens Ø 20 mm. Field of view 15 mm
- PB.5033** Achromatic magnifier 20x, triplet. Lens Ø 20 mm. Field of view 8 mm



● PB.5032

- PB.5036** Aplanatic magnifier 10x, doublet. Lens Ø 20 mm. Field of view 20 mm
- PB.5037** Achromatic diamond magnifier 10x with four lenses Ø 21 mm. Field of view 25 mm



● PB.5016

## FOLDING MAGNIFIERS WHITE LED ILLUMINATION

- PB.5034-LED** Achromatic magnifier 10x triplet. Lens Ø 21 mm. White LED illumination
- PB.5018-LED** Achromatic magnifier 15x triplet. Lens Ø 21mm. White LED illumination
- PB.5033-LED** Achromatic magnifier 20x, triplet. Lens Ø 21 mm. White LED illumination
- PB.5035-LED** Achromatic magnifier 30x triplet. Lens Ø 21 mm. White LED illumination



● PB.5034-LED

## FOLDING MAGNIFIERS WHITE LED AND UV ILLUMINATION

- PB.5034-LUV** Achromatic magnifier 10x triplet. Lens Ø 21 mm. White LED and UV illumination
- PB.5018-LUV** Achromatic magnifier 15x triplet. Lens Ø 21mm. White LED and UV illumination
- PB.5033-LUV** Achromatic magnifier 20x, triplet. Lens Ø 21 mm. White LED and UV illumination
- PB.5035-LUV** Achromatic magnifier 30x triplet. Lens Ø 21 mm. White LED and UV illumination



● PB.5034-LUV

# MAGNIFIERS & MEASURING MICROSCOPES

Measuring microscopes are built with a microscope objective for magnifications from 20 to 100x times



## magnifiers & measuring microscopes

### TABLE MAGNIFIERS

- PB.5039** Table magnifier, 15x magnification. Glass achromatic lens Ø 19 mm, field of view 15 mm
- PB.5041** Table magnifier, 10x magnification. Glass lens Ø 26 mm, field of view 25 mm
- PB.5043** Table magnifier, 4x magnification. Plastic lens Ø 57 mm, field of view 55 mm
- PB.5040** Table magnifier, 8x magnification. Plastic lens Ø 23 mm, field of view 30 mm. 10mm/100 reticle

### MISCELLANEOUS MAGNIFIERS

- PB.5030** Dual sliding magnifier with 3x and 6x magnification. Lens aperture 23 x 23 mm. Fields of view 50 x 50 mm and 25 x 25 mm. Plastic housing
- PB.5049** Linen tester folding magnifier with 6x aplanatic lens. A 25 x 25 mm base with millimeter scale. Metal casing lacquered in black. Supplied with plastic case



### MEASURING MAGNIFIERS WITH RETICLE

- PB.5044** Measuring magnifier 7x. Eyepiece Ø 18 mm. Field of view 24 mm. Measuring scale 10-0-10 mm divided into 0.1 mm and crosshairs
- PB.5045** Measuring magnifier 7x. Eyepiece Ø 18 mm. Field of view 24 mm. With 5 interchangeable scales for angle, thickness and linear measurements
- PB.5046** Measuring magnifier 10x. Eyepiece Ø 20 mm. Field of view 35 mm. Measuring scale 15-0-15 mm with 0.1, 0.2 and 0.5 mm graduations
- PB.5048** Measuring magnifier 4x. Eyepiece Ø 30 mm. Field of view 65 mm. Measuring scale 25-0-25 mm with 0.1, 0.2 and 0.5 mm graduations
- PB.5047** Measuring magnifier 10x. Eyepiece Ø 25 mm. Field of view 30 mm. Measuring scale 15-0-15 mm with 0.1, 0.2 and 0.5 mm graduations. White LED-illumination

### MEASURING MICROSCOPES

- PB.5008** Measuring microscope 20x with LED illumination. Measuring scale 7.2 mm with 0.1 mm graduation
- PB.5010** Measuring microscope 40x with LED illumination. Measuring scale 3 mm with 0.05 mm graduation
- PB.5012** Measuring microscope 60x with LED illumination. Measuring scale 1.75 mm with 0.02 mm graduation
- PB.5014** Measuring microscope 100x with LED illumination. Measuring scale 1.1 mm with 0.01 mm graduation



# refractometers



refractometers



refractometers

Refractometers are used for the identification of substances and concentration measurements of fluids. Because the refractive index (R.I.) of a solution is proportional to the concentration, it is easy to identify the substance or to measure the purity and concentrations of solutions

The Euromex refractometers are calibrated at 20° Celsius. Most refractometers are equipped with Automatic Temperature Compensation (ATC)

**REFRACTOMETERS • PAGE 400**  
**ABBE REFRACTOMETER • PAGE 403**

# REFRACTOMETERS

The Euromex refractometers are ideal for determining concentrations, testing and measuring of fluids



● Analog refractometer

● Digital refractometer

## refractometers

### handheld and table models

A refractometer is an instrument that measures the refractive index of a liquid or refractive material such as sugar concentrations in fruits, juices, soft drinks, energy drinks, wines or must, liquors, jams, honey, industrial lubricants, antifreeze, ethanol, battery acids, salt, propylene glycol, ethylene glycol solutions

A few drops of the liquid that needs to be examined are gently deposited on a measuring prism and covered with a cover-glass. The rays of the light source (ambient light, built-in LED light source or external cold-light source) will be bent (refracted) in function of the composition of the liquid under observation

This results in a shadow line between a dark and a light portion. The measured value can be directly read through a focusable eyepiece on a refraction index scale and/or on a specific built-in scale(s) of the refractometer in Brix, Oechsle, Babo units or % volume, specific gravity, protein in serum or in °C

Euromex offers portable or handheld refractometers, analogue or digital and laboratory Abbe refractometer products used in wine making, distilling, food processing, canning, beekeeping, brewing, pharmaceutical, manufacturing, machining, automotive industries

Most of the refractometers have also an A(utomated) T(emperature) C(ompensation) mechanism in order to compensate for temperature variations. Calibration can be verified with a calibration fluid (in most cases distilled water) and adjusted by a screw if needed

Application	Art no	Range	Accuracy	Remarks	ATC	Handheld model	Table model	Analog	Digital	
Concentrations of sugar in marmalades, fruits, syrups, wine and monitoring of oil emulsions	RF.6190	0-90 Brix	0.2	3 scales: 0-42 / 42-71 / 71-90 Brix	•	•				
	RF.6510	0 - 10 Brix	0.1		•	•		•		
	RF.6520	0 - 20 Brix	0.1		•	•		•		
	RF.6532	0 - 32 Brix	0.2		•	•		•		
	RF.6562	28 - 62 Brix	0.2		•	•		•		
	RF.6580	0 - 80 Brix	0.5		•	•		•		
	RF.6582	45 - 82 Brix	0.5		•	•		•		
	RF.6592	58 - 92 Brix	0.2		•	•		•		
	RF.6635	0 - 150 °Oe 0 - 35 Brix 0 - 27 °KMW 0 - 22 % 0 - 37 CNM	1 0.2 0.2 0.2 0.5	Oechsle units Sugar concentration Babo units % volume	•	•			•	
	RD.6735	0 - 150 °Oe 0 - 35 Brix 0 - 25 °KMW 0 - 22 %	1 0.1 0.1 0.1		•	•				•
RD.6645	0 - 45 Brix 1.33 - 1.41 R.I.	0.1 0.0003		•	•				•	
RD.6666	0 - 80 Brix 1.33 - 1.51 R.I.	0.5 0.0005		•	•				•	
RD.6667	58 - 92 Brix 1.43 - 1.52 R.I.	0.2 0.0003		•	•				•	
Honey	RF.6642	13 - 25 %	0.1	Honey moisture	•	•		•		
	RF.6644	58 - 92 Brix 38 - 43 °Be 12 - 27 %	0.5 0.5 1	Water	•	•		•		
	RF.6627	0 - 25 % 0 - 40 Brix 0 - 20 Baume	0.2 0.2 0.2	% volume	•	•		•		
Salinity and concentration of sugar	RF.6610	0 - 100 ‰ 0 - 10 Brix 1.00 - 1.07 R.I.	1 0.1 0.005		•	•		•		
	RF.6628	0 - 28 %	0.2		•	•		•		
	RD.6728	0 - 28 % 0 - 45 Brix 1.33 - 1.41 R.I.	0.1 0.1 0.0003	% NaCl	•	•			•	
	RF.6612	0 - 12 g/dl 1.00 - 1.05 sg 1.333 - 1.360 R.I.	0.2 0.002 0.0003	Proteins in serum Urine specific gravity	•	•			•	

Application	Art no	Range	Accuracy	Remarks	ATC	Handheld model	Table model	Analog	Digital
	RD.6712	0 - 12	g/dl	0.1	Proteins in serum	•	•		•
		1.00 - 1.05	sg	0.001	Urine specific gravity				
		1.33 - 1.39	R.I.	0.0001					
	RD.6714	0 - 14	g/dl	0.1	Proteins in serum (dog)	•	•		•
		0 - 14	g/dl	0.1	Proteins in serum (cat)				
		1.00 - 1.06	sg	0.001	Urine specific gravity (dog)				
1.00 - 1.06		sg	0.001	Urine specific gravity (cat)					
Battery Acid/Coolant	RF.6650	1.10 - 1.40	sg	0.01	Battery fluids	•	•	•	
		-50 / 0	°C	5	Ethylene glycol G13				
		-50 / 0	°C	5	Propylene glycol G11/12				
		-40 / 0	°C	10	windshield washer fluid				
	RD.6730	1.0 - 1.50	sg	0.01	Battery fluids	•	•		•
		-50 / 0	°C	0.5	Ethylene glycol G13				
		-50 / 0	°C	0.5	Propylene glycol G11/12				
		-40 / 0	°C	0.5	windshield washer fluid				
AdBlue/Urea	RF.6652	0 - 40	%	0.2	•	•		•	
Identification of precious stones	RF.6381	1.30 - 1.81	R.I.	0.01			•	•	

## ACCESSORIES AND SPARE PARTS

- RF.5295** Test slide 78.8 Brix for calibration of RF.5190
- RF.5385** 5 ml immersion nD 1.65 liquid for RF.5381 and RF.6381
- LE.5209** 20 W 12 V cold light source with single fiber light conductor (for Abbe refractometer 98.490)
- 98.492** Thermometer 0-50° C (for Abbe refractometer 98.490)
- 98.496** Calibration slide nD 1.5163 (for Abbe refractometer 98.490)



● Digital refractometer



● 98.490

## Abbe laboratory refractometer substance identification

The Abbe laboratory refractometer is a bench-top instrument for high-precision measurements of an index of refraction and suitable for determination of the refractive index of solid samples, such as glass, plastics, and polymer films

The instrument is supplied with a thermometer and water connection to control fluid temperatures. Also equipped with a Brix and a refraction index scale and supplied with a test plate

Capable of measuring all kinds of concentrations and identifying several types of substances

The Abbe refractometer can be connected to a water bath for measuring at a controlled temperature. During the use of this type of refractometer the use of a cold light source such as the LE.5209 is recommended.

This Abbe table refractometer has scales for measurement of sugar concentrations and refractive indices. Delivered with carrying case, digital thermometer, calibration plate, adjusting tool and with 0.5 ml calibration liquid



product information

### Substance identification of sugar concentration

MODEL	Scales	Accuracy	Remarks	Analog
98.490	0-95 Brix	0.5 Brix	Abbe table refractometer without light source	•
	1.300-1.700 RI	0.0002 RI		

# polarimeters & spectrosopes



## polarimeters & spectrosopes

A polarimeter measures the rotation angle of polarized light traveling through an optically active substance.

The rotation angle of the polarization plane of linear polarized light is different for each optical active substance as described in the Law of Biot

Polarimetry is a non-destructive test method for measuring optical activity of organic and inorganic substances. It is very useful to analyze expensive non-reproducible samples. Polarimeters are extensively used for quality and process control in research laboratories in the chemical and food industry

Spectrosopes are used to visualize the light spectrum of light sources

## POLARIMETERS



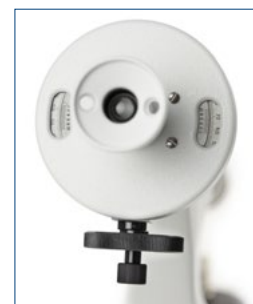
product information

## polarimeter

● 99.400-LED

Polarimeters are suitable for fast and accurate measurements of sugars, glucose, perfume, chemical substances and medical drugs. Equipped with a Glan Thomson prism and Laurent Quartz plate, a built-in 230 V 589.3 nm sodium lamp or a high-power LED with 589.3 nm filter

Polar scale, range  $\pm 180^\circ$  with  $0.1^\circ$  readings. Supplied with observation tubes of 100 mm and 200 mm. Bright light measuring field permits reading with accuracy of  $0.1^\circ$  with aid of Vernier



### HIGHLIGHTS

The polarimeters are delivered with 100 and 200 mm observation tubes  
Equipped with a built-in 230 V 589.3 nm sodium lamp or high-power LED with 589.3 nm filter  
Fast and accurate

### ACCESSORIES FOR 99.400

- 99.410** Measuring tube, 100 mm long
- 99.415** Measuring tube, 200 mm long
- 99.430** Cover glass for measuring tube  $\varnothing 15$  mm
- 99.431** Rubber ring (for 99.430)
- 99.197** Spare sodium 589.3 nm lamp

MODEL	Scales	Accuracy	Observation tubes 100 and 200 mm	230 V sodium lamp with 589.3 nm filter	230 V High power LED with 589.3 nm filter
99.400	$\pm 180^\circ$	$\pm 0.1^\circ$ polar scale	•	•	
99.400-LED	$\pm 180^\circ$	$\pm 0.1^\circ$ polar scale	•		•



# SPECTROSCOPES

Euromex handheld spectrosopes are used for optical experiments in natural sciences, industry and education



product information



## handheld spectrosopes

### SP.5200

Handheld spectroscope with adjustable slit, comparison prism, mirror, five glass mini-cuvettes and wavelength scale 400 - 700 nm with 589 nm indication. Divisions 10 nm

- Direct vision type
- Adjustable eye lens
- Adjustable slit 0 - 1 mm
- Angle dispersion C - F 7°
- Linear dispersion 60 mm
- Comparison prism for comparison between products
- Mirror
- 5 Glass cuvettes
- Wavelength scale 400 - 700 nm



• SP.5200

MODEL	Dimensions	Weight (grams)	Adjustable slit	Comparison prism	Angle dispersion	Linear dispersion	Wavelength scale	589 nm indication	With 5 glass cuvettes
SP.5200	h50x1115xp23	250	0-1 mm	•	C-F 7°	60 mm	•	•	•

### SP.5155

Handheld spectroscope with adjustable slit and comparison prism, mirror and five glass cuvettes

- Direct vision type
- Adjustable eyelens
- Adjustable slit 0 - 1 mm
- Angle dispersion C - F 7°
- Linear dispersion 60 mm
- Comparison prism
- Mirror
- five Glass cuvettes



• SP.5155

MODEL	Dimensions	Weight (grams)	Adjustable slit	Comparison prism	Angle dispersion	Linear dispersion	Wavelength scale	589 nm indication	With 5 glass cuvettes
SP.5155	h45x1105xd23	125	0-1 mm	•	C-F 7°	60 mm	--	--	•

### SP.5150

Handheld spectroscope with adjustable slit from 0 tot 1 mm

- Direct vision type
- Adjustable eye lens
- Adjustable slit 0 - 1 mm
- Angle dispersion C - F 7°
- Linear dispersion 60 mm



• SP.5150

MODEL	Dimensions	Weight (grams)	Adjustable slit	Comparison prism	Angle dispersion	Linear dispersion	Wavelength scale	589 nm indication	With 5 glass cuvettes
SP.5150	90 x18 mm Ø	92	0-1 mm	--	C-F 7°	60 mm	--	--	--

### SP.5100

Handheld spectroscope with fixed slit

- Direct vision type
- Adjustable eye lens
- Fixed slit
- Angle dispersion C - F 6°
- Linear dispersion 40 mm



• SP.5100

MODEL	Dimensions	Weight (grams)	Adjustable slit	Comparison prism	Angle dispersion	Linear dispersion	Wavelength scale	589 nm indication	With 5 glass cuvettes
SP.5100	90 x18 mm Ø	72	--	--	C-F 6°	40 mm	--	--	--

# choose the right euromex microscope

Euromex offers a large range of microscope series. Selecting the right microscope for your application might be challenging and time consuming.

To simplify this process we have listed our recommended models for most common applications in education, laboratories and industry



microscope selector

EDUCATION	FIELD OF APPLICATION	RECOMMENDED MODELS
• botany	Study of plants as branch of biology. Plant anatomy and morphology. Plant genetics and ecology. Plant biochemistry	MicroBlue, EcoBlue, BioBlue, BioBlue.Lab, AP series, EduBlue, StereoBlue
• digital imaging	Observation and perform analysis on microscope images, storage and share captured and videos	CMEX cameras, CCD cameras, HD cameras, EduPad, MacroZoom
• electronics	Development, production, assembling and inspection of electronic components or circuitry	bScope® (materials), EduBlue, StereoBlue, NexiusZoom, MacroZoom
• entomology	Study of insects as branch of zoology. Identification and classification of beetles, flies, termites, moths and butterflies, bees, ants, wasps	MicroBlue, EcoBlue, BioBlue, BioBlue.Lab, AP series, EduBlue, StereoBlue, MacroZoom
• geology, mineralogy	Earth Science; Study of solids, rocks and processes. Identification and classification of rocks and minerals	EcoBlue (polarization), BioBlue (polarization), AP series, EduBlue, StereoBlue
• geology, petrology	Identification by means of petrographic microscope	EcoBlue (polarization), BioBlue (polarization), AP series, EduBlue, StereoBlue
• mechanics	Manufacturing and quality inspection of mechanical parts	bScope® (materials), EduBlue, StereoBlue, NexiusZoom, MacroZoom
• microbiology	Study of microscopic uni-, multi- or acellular small organisms such as protozoa, algae, bacteria and more. Identification and classification	EcoBlue, BioBlue, bScope®, Delphi-X Observer
• mycology	Study of fungi as branch of biology. Identification and classification	EcoBlue, BioBlue, BioBlue.Lab, bScope®, AP series, EduBlue, StereoBlue
• petrology	Study of the composition and structure of rocks as branch of geology. Identification by means of polarization microscopes	EcoBlue (polarization), BioBlue (polarization), AP series, EduBlue, StereoBlue
• zoology	Animal biology. Study of invertebrates and vertebrates and related branches	EcoBlue, BioBlue, BioBlue.Lab, bScope®, AP series, EduBlue, StereoBlue, MacroZoom

UNIVERSITY LABS	FIELD OF APPLICATION	RECOMMENDED MODELS
• agronomy & forestry	Selective breeding of plants, fruit and production of food from plants, wood from trees, fuel. Plant physiology and genetics research	BioBlue.Lab, bScope®, iScope®, Oxion, StereoBlue, NexiusZoom, DZ series, MacroZoom
• anatomopathology	Diagnosis of diseases of organs or tissues. Cytopathology and forensic pathology	BioBlue.Lab, bScope®, iScope®, Oxion, Delphi-X Observer, NexiusZoom, DZ series
• asbestos control	Research of asbestos fibers, environmental protection during restoration of older buildings	iScope® (asbestos and polarization), NexiusZoom, DZ series, Z series
• bacteriology	Study of bacteria as subdivision of microbiology. Identification, classification	BioBlue.Lab, bScope®, iScope®, Oxion, Delphi-X Observer
• biochemistry	Study of chemical processes within living organism. Identification and classification of enzymes and structure of biomolecules	BioBlue.Lab, bScope®, iScope®, Oxion, Delphi-X Observer
• biomedical	Study of medical microbiology, virology, epidemiology, biomedical engineering	BioBlue.Lab, iScope®, Oxion, Delphi-X Observer
• biotechnology	Study of living organism in order to make food products, for plant protection (genetically modified organism) and other bio-process engineering. Development of pharmaceutical drugs, genetic testing, enzymes production, biofuels, textile	BioBlue.Lab, bScope®, iScope®, Oxion, Delphi-X Observer, StereoBlue, NexiusZoom, DZ series
• botany	Study of plants as branch of biology. Plant anatomy and morphology. Plant genetics and ecology. Plant biochemistry	BioBlue.Lab, bScope®, StereoBlue, NexiusZoom, DZ series, MacroZoom
• cell culture	Controlled growing of cells and tissues, fungal culture and microbiological culture	Delphi-X Inverso, Oxion Inverso, NexiusZoom, DZ series
• chemistry	Study of the composition and properties of chemicals	iScope® (materials and polarization), Oxion (materials), bScope® (materials), NexiusZoom, DZ series
• cosmetics	Research, development and testing (safety) of substances for make-up or perfume	iScope® (materials), Oxion (materials), bScope® (materials), NexiusZoom, DZ series
• cytology	Study of cell structure, function and chemistry. Detection of cellular diseases	BioBlue.Lab, iScope®, Oxion, Delphi-X Observer
• dermatology	Study and diagnosis, treatment of skin, nails and hair diseases	iScope®, Oxion, NexiusZoom, StereoBlue, DZ series, MacroZoom
• digital imaging	Observation and analysis of microscope images, save and share captured images and videos	CMEX cameras, CCD cameras, HD cameras, Cooled cameras, EduPad, ProPad
• electronics	Development, production, assembly and inspection of electronic components or circuitry	iScope® (materials), Oxion (materials), bScope® (materials), StereoBlue, NexiusZoom, DZ series, Z series, MacroZoom
• embryo collection	Embryo collection and transfer in mares, pigs, cows. Quality control	NexiusZoom, DZ series, Z series

• <b>embryology</b>	Study of gametes, embryos and fetuses	BioBlue.Lab, iScope®, Oxion, StereoBlue, NexiusZoom, DZ series
• <b>entomology</b>	Study of insects as branch of zoology. Identification and classification of beetles, flies, termites, moths and butterflies, bees, ants, wasps	BioBlue.Lab, bScope®, iScope®, Oxion, StereoBlue, NexiusZoom, DZ series, MacroZoom
• <b>environmental</b>	Monitoring of environmental conditions such as water, atmosphere, ecosystems, soil and pollution	BioBlue.Lab, bScope®, iScope®, Oxion, StereoBlue, NexiusZoom, DZ series
• <b>fluorescence</b>	Study of living and non living materials with the help of fluorescence markers (fluorochromes)	iScope® (fluorescence), Oxion (fluorescence), Delphi-X Observer (fluorescence), Oxion Inverso (fluorescence), bScope® (fluorescence), DZ series
• <b>food and beverages</b>	Quality and safety controls, before, during and after the production of food and beverages	BioBlue.Lab, bScope®, iScope®, Oxion
• <b>forensics</b>	Analysis of scientific evidence. Toxicology, fingerprints, Forensic anthropology and archeology, forensic botany and entomology	BioBlue.Lab, iScope®, iScope® (materials and polarization), Oxion, Oxion (materials), Oxion Inverted, Oxion Inverted (materials), NexiusZoom, DZ series, Z series
• <b>genetics</b>	Study of genes, heredity in living organisms including bacteria, plants, animals and humans	iScope®, Oxion, Delphi-X Observer, DZ series
• <b>geology, mineralogy</b>	Earth Science; Study of solids, rocks and processes Identification and classification of rocks and minerals	iScope® (materials), Oxion (materials), bScope® (materials), StereoBlue, NexiusZoom, DZ series, MacroZoom
• <b>geology, petrology</b>	Identification by means of petrographic microscopy	iScope® (polarization), Delphi-X Observer (polarization), StereoBlue, NexiusZoom, DZ series
• <b>glass industry</b>	Quality control, before, during and after the production of glass and coatings	iScope® (materials), Oxion (materials), Oxion Inverso (materials), bScope® (materials), StereoBlue, NexiusZoom, DZ series
• <b>hematology</b>	Study and diagnosis, treatment and prevention of diseases of the blood	iScope®, bScope® (darkfield), iScope® (darkfield), Oxion, Oxion (darkfield)
• <b>histopathology</b>	Microscopic examination of tissue, diagnosis of diseases	iScope®, Oxion, Delphi-X Observer
• <b>horticulture</b>	Selective breeding of plants and fruit for production of food	BioBlue.Lab, bScope®, iScope®, Oxion, StereoBlue, NexiusZoom, DZ series, MacroZoom
• <b>in vitro fertilization</b>	In vitro fertilization IVF. Quality control of collected egg and sperm	StereoBlue, NexiusZoom, DZ series, Z series
• <b>marine Biology</b>	Study of organisms living in the ocean or seas as branch of biology	bScope®, BioBlue.Lab, iScope®, Oxion
• <b>mechanics</b>	Manufacturing and quality inspection of mechanical parts	Delphi-X Observer (materials), iScope® (materials), Oxion (materials), Oxion Inverso (materials), bScope® (materials), StereoBlue, NexiusZoom, DZ series, MacroZoom
• <b>metallurgy</b>	Manufacturing and quality inspection of metallic elements, intermetallic compounds and alloys	Delphi-X Observer (materials), iScope® (materials), Oxion (materials), bScope® (materials), StereoBlue, NexiusZoom, DZ series, MacroZoom
• <b>microbiology</b>	Study of microscopic uni-, multi- or acellular small organisms such as protozoa, algae, bacteria and more	iScope®, Oxion, StereoBlue, NexiusZoom, DZ series
• <b>mycology</b>	Study of fungi as branch of biology	BioBlue.Lab, bScope®, iScope®, Oxion, StereoBlue, NexiusZoom, DZ series

• <b>mining</b>	Extraction of minerals for identification, quantitative and qualitative evaluation of minerals	iScope® (materials and polarization), Oxion (materials and polarization), Oxion Inverso (materials), bScope® (materials), StereoBlue, NexiusZoom, DZ series, MacroZoom
• <b>neuropathology</b>	Study and diagnosis of diseases in nervous system tissue	Delphi-X Observer, iScope®, Oxion, StereoBlue, NexiusZoom, DZ series
• <b>oncology</b>	Study and diagnosis, treatment and prevention of cancers	Delphi-X Observer, iScope®, Oxion
• <b>ornithology</b>	Study of birds as branch of zoology. Diagnosis of diseases in birds such as competition pigeons	BioBlue.Lab, bScope®, iScope®, Oxion, StereoBlue, NexiusZoom, DZ series
• <b>paleontology</b>	Study of fossils in order to determinate organisms evolution	iScope® (materials), Oxion (materials), bScope® (materials), StereoBlue, NexiusZoom, DZ series, MacroZoom
• <b>paper industry</b>	Production of paper related products. Quality inspection	iScope® (materials), Oxion (materials), bScope® (materials), StereoBlue, NexiusZoom, DZ series, MacroZoom
• <b>parasitology</b>	Study of parasites, medical and veterinary	BioBlue.Lab, bScope®, iScope®, Oxion, StereoBlue, NexiusZoom, DZ series, MacroZoom
• <b>pathology</b>	Study and diagnosis of diseases	Delphi-X Observer, iScope®, Oxion
• <b>petrochemical</b>	Research and transformation of crude oil and natural gas	iScope® (materials), Oxion (materials), bScope® (materials), StereoBlue, NexiusZoom, DZ series
• <b>petrology</b>	Study of the composition and structure of rocks as branch of geology. Identification by means of polarization	iScope® (polarization), StereoBlue, NexiusZoom, DZ series
• <b>pharmaceutics</b>	Development and production of drugs for medication. Quality assurance and inspection of produced products	Delphi-X Observer, iScope® (polarization), StereoBlue, NexiusZoom, DZ series
• <b>phytopathology</b>	Study and diagnosis of plant diseases	BioBlue.Lab, bScope®, iScope®, Oxion, StereoBlue, NexiusZoom, DZ series
• <b>plastics</b>	Development and production of plastics and plastic based compounds. Quality assurance and inspection	iScope® (materials), Oxion (materials), Oxion Inverso (materials), bScope® (materials), StereoBlue, NexiusZoom, DZ series
• <b>textile</b>	Development and production of all kinds of textile based products. Quality assurance and inspection	iScope® (materials), Oxion (materials), bScope® (materials), AP series, StereoBlue, NexiusZoom, DZ series, MacroZoom
• <b>veterinary medicine</b>	Prevention, diagnosis and treatment of diseases, injuries in animals	BioBlue.Lab, bScope®, iScope®, Oxion, Oxion Inverso, StereoBlue, NexiusZoom, DZ series
• <b>virology</b>	Study and diagnosis of viruses and virus-like agents	Delphi-X Observer, iScope®, Oxion, BioBlue.Lab, bScope®
• <b>water treatment</b>	Production of drinking water and wastewater treatment. Quality control and disease prevention	BioBlue.Lab, bScope®, iScope®, Oxion
• <b>wood production</b>	Wood production for construction material, fuel. Quality control	iScope® (materials), Oxion (materials), Oxion Inverso (materials), bScope® (materials), AP series, StereoBlue, NexiusZoom, DZ series, MacroZoom
• <b>zoology</b>	Animal biology. Study of invertebrates and vertebrates and related branches	BioBlue.Lab, bScope®, iScope®, Oxion, StereoBlue, NexiusZoom, DZ series

LIFE SCIENCE  
LABORATORIES

FIELD OF APPLICATION

RECOMMENDED MODELS

• <b>agronomy &amp; forestry</b>	Selective breeding of plants, fruit and production of food from plants, wood from trees, fuel. Plant physiology and genetics research	BioBlue.Lab, bScope®, iScope®, Oxion, StereoBlue, NexiusZoom, DZ series, MacroZoom
• <b>anatomopathology</b>	Diagnosis of diseases of organs or tissues. Cytopathology and forensic pathology	Delphi-X Observer, iScope®, bScope®, BioBlue.Lab, Oxion, StereoBlue, NexiusZoom, DZ series
• <b>bacteriology</b>	Study of bacteria as subdivision of microbiology. Identification, classification	BioBlue.Lab, bScope®, iScope®, Oxion, Oxion Inverso, Delphi-X Observer
• <b>biochemistry</b>	Study of chemical processes within living organism. Identification and classification of enzymes and structure of biomolecules	BioBlue.Lab, bScope®, iScope®, Oxion
• <b>biomedical</b>	Study of medical microbiology, virology, epidemiology, biomedical engineering	Delphi-X Observer, iScope®, bScope®, BioBlue.Lab, Oxion
• <b>biotechnology</b>	Study of living organism in order to make food products, for plant protection (genetically modified organism) and other bioprocess engineering. Development of pharmaceutical drugs, genetic testing, enzymes production, biofuels, textile	Delphi-X Observer, iScope®, bScope®, BioBlue.Lab, Oxion, NexiusZoom, DZ series, MacroZoom
• <b>botany</b>	Study of plants as branch of biology. Plant anatomy and morphology. Plant genetics and ecology. Plant biochemistry	BioBlue.Lab, iScope®, Oxion, StereoBlue, NexiusZoom, DZ series
• <b>cell culture</b>	Controlled growth of cells and tissues, fungal culture and microbiological culture	Delphi-X Inverso, Oxion Inverso, NexiusZoom, DZ series
• <b>chemistry</b>	Study of the composition and properties of chemicals	iScope® (materials and polarization), Oxion (materials), bScope® (materials), NexiusZoom, DZ series
• <b>cosmetics</b>	Research, development and testing (safety) of substances for make-up or perfume	bScope® (materials), iScope® (materials), NexiusZoom, Oxion (materials), DZ series
• <b>cytology</b>	Study of cell structure, function and chemistry. Detection of cellular diseases	Delphi-X Observer, iScope®, bScope®, BioBlue.Lab, Oxion
• <b>dermatology</b>	Study and diagnosis, treatment of skin, nails and hair diseases	iScope®, Oxion, NexiusZoom, StereoBlue, DZ series, MacroZoom
• <b>digital imaging</b>	Observation and analysis of microscope images, save and captured the images and videos	CMEX cameras, CCD cameras, HD cameras, Cooled cameras, ProPad, MacroZoom
• <b>embryo collection</b>	Embryo collection and transfer in mares, pigs, cows. Quality control	NexiusZoom, DZ series, Z series
• <b>embryology</b>	Study of gametes, embryos and fetuses	BioBlue.Lab, bScope®, iScope®, Oxion, NexiusZoom, DZ series, Z series
• <b>entomology</b>	Study of insects as branch of zoology. Identification and classification of beetles, flies, termites, moths and butterflies, bees, ants, wasps	BioBlue.Lab, bScope®, iScope®, Oxion, StereoBlue, NexiusZoom, DZ series, MacroZoom
• <b>environmental</b>	Monitoring of environmental conditions such as water, atmosphere, ecosystems, soil and pollution	BioBlue.Lab, bScope®, iScope®, Oxion, StereoBlue, NexiusZoom, DZ series
• <b>fluorescence</b>	Study of living and non living material with the help of fluorescence markers (fluorochromes)	Delphi-X Observer (fluorescence), iScope® (fluorescence), Oxion (fluorescence), Oxion Inverso (fluorescence), bScope® (fluorescence), DZ series
• <b>forensics</b>	Analysis of scientific evidence. Toxicology, fingerprints, Forensic anthropology and archeology, forensic botany and entomology	BioBlue.Lab, bScope®, iScope®, Delphi-X Observer, Oxion, Oxion Inverted, NexiusZoom, DZ series, Z series
• <b>food and beverages</b>	Quality and safety controls, before, during and after the production of food and beverages	BioBlue.Lab, bScope®, iScope®, Oxion

LIFE SCIENCE  
LABORATORIES

FIELD OF APPLICATION

RECOMMENDED MODELS

• <b>genetics</b>	Study of genes, heredity in living organism including bacteria, plants, animals and humans	Delphi-X Observer, iScope®, Oxion, DZ series
• <b>hematology</b>	Study and diagnosis, treatment and prevention of diseases of the blood	Delphi-X Observer, iScope®, bScope® (dark filed), iScope® (darkfield), Oxion, Oxion (darkfield), iScope®, Oxion
• <b>histopathology</b>	Microscopic examination of tissue, diagnosis of diseases	Delphi-X Observer, iScope®, Oxion
• <b>horticulture</b>	Selective breeding of plants and fruit for production of food	BioBlue.Lab, bScope®, iScope®, Oxion, StereoBlue, NexiusZoom, DZ series, MacroZoom
• <b>histopathology</b>	Microscopic examination of tissue, diagnosis of diseases	iScope®, Oxion
• <b>in vitro fertilization</b>	In vitro fertilization IVF. Quality control of collected egg and sperm	StereoBlue, NexiusZoom, DZ series, Z series
• <b>marine miology</b>	Study of organisms living in the ocean or seas as branch of biology	iScope®, Oxion, NexiusZoom, DZ series
• <b>microbiology</b>	Study of microscopic uni-, multi- or acellular small organisms such as protozoa, algae, bacteria and more. Identification and classification	Delphi-X Observer, iScope®, Oxion, NexiusZoom, DZ series
• <b>mycology</b>	Study of fungi as branch of biology. Identification and classification	BioBlue.Lab, bScope®, iScope®, Oxion, StereoBlue, NexiusZoom, DZ series
• <b>neuropathology</b>	Study and diagnosis of diseases in nervous system tissue	Delphi-X Observer, iScope®, Oxion, NexiusZoom, DZ series
• <b>oncology</b>	Study and diagnosis, treatment and prevention of cancers	Delphi-X Observer, iScope®, Oxion
• <b>parasitology</b>	Study of parasites, medical and veterinary	BioBlue.Lab, bScope®, iScope®, Oxion, StereoBlue, NexiusZoom, DZ series
• <b>pathology</b>	Study and diagnosis of diseases	Delphi-X Observer, iScope®, Oxion
• <b>pharmaceutics</b>	Development and production of drugs for medication. Quality assurance and inspection of produced products	iScope® (polarization), StereoBlue, NexiusZoom, DZ series
• <b>phytopathology</b>	Study and diagnosis of plant diseases	BioBlue.Lab, bScope®, iScope®, Oxion, StereoBlue, NexiusZoom, DZ series, MacroZoom
• <b>veterinary medicine</b>	Prevention, diagnosis and treatment of diseases, injuries on animals	BioBlue.Lab, bScope®, iScope®, Oxion, Oxion Inverso, StereoBlue, NexiusZoom, DZ series
• <b>virology</b>	Study and diagnosis of viruses and virus-such as agents	Delphi-X Observer, BioBlue.Lab, bScope®, iScope®, Oxion
• <b>water treatment</b>	Production of drinking water and wastewater treatment. Quality control and disease prevention	BioBlue.Lab, bScope®, iScope®, Oxion
• <b>zoology</b>	Animal biology. Study of invertebrates and vertebrates and related branches	BioBlue.Lab, bScope®, iScope®, Oxion, StereoBlue, NexiusZoom, DZ series

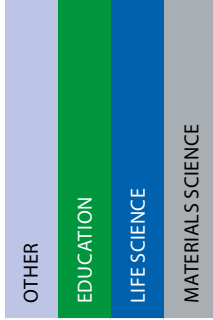
INDUSTRY	FIELD OF APPLICATION	RECOMMENDED MODELS
• aerospace	Manufacturing and quality inspection of rockets and space vehicles related parts	iScope® (materials), Oxion (materials), NexiusZoom, DZ series, Z series
• agronomy & forestry	Selective breeding of plants, fruit and production of food from plants, wood from trees, fuel. Plant physiology and genetics research	BioBlue.Lab, bScope®, iScope®, Oxion, StereoBlue, NexiusZoom, DZ series, MacroZoom
• asbestos control	Research of asbestos fibers, environmental protection during restoration of older buildings	iScope® (asbestos and polarization), NexiusZoom, DZ series, Z series
• automotive	Manufacturing and quality inspection of automotive related parts	iScope® (materials), Oxion Inverso (materials), NexiusZoom, DZ series, Z series
• avionics	Manufacturing and quality inspection of aircraft related parts	iScope® (materials), NexiusZoom, DZ series
• biochemistry	Study of chemical processes within living organism. Identification and classification of enzymes and structure of biomolecules	BioBlue.Lab, iScope®, Oxion, NexiusZoom, DZ series
• chemistry	Study of the composition and properties of chemicals	iScope® (materials), Oxion (materials)
• cosmetics	Research, development and testing (safety) of substances for make-up or perfume	bScope® (materials), iScope® (materials), Oxion (materials), NexiusZoom, DZ series
• digital imaging	Observation and analysis of microscope images, save and captured the images and videos	CMEX cameras, CCD cameras, HD cameras, ProPad, MacroZoom
• electronics	Development, production, assembling and inspection of electronic components or circuitry	iScope® (materials), Oxion (materials), NexiusZoom, DZ series, Z series, BE-50 LED, MacroZoom
• environmental	Monitoring of environmental conditions such as water, atmosphere, ecosystems, soil and pollution	BioBlue.Lab, bScope®, iScope®, Oxion, StereoBlue, NexiusZoom, DZ series
• food and beverages	Quality and safety controls, before, during and after the production of food and beverages	BioBlue.Lab, bScope®, iScope®, Oxion
• forensics	Analysis of scientific evidence. Toxicology, fingerprints, Forensic anthropology and archeology, forensic botany and entomology	BioBlue.Lab, bScope®, bScope® (materials), iScope®, iScope® (materials and polarization), Oxion, Oxion (materials), Oxion Inverted, Oxion Inverted (materials), NexiusZoom, DZ series, Z series
• geology, mineralogy	Earth science that study the solid, rocks and processes. Identification and classification of rocks and minerals	iScope® (materials), Oxion (materials), Oxion Inverso (materials), B+ (materials), StereoBlue, NexiusZoom, DZ series, MacroZoom
• geology, petrology	Identification by means of an petrographic microscope	iScope® (polarization)
• glass industry	Quality control, before, during and after the production of glass and coatings	iScope® (materials), Oxion (materials), Oxion Inverso (materials), bScope® (materials), StereoBlue, NexiusZoom, DZ series
• horticulture	Selective breeding of plants and fruit for production of food	BioBlue.Lab, bScope®, iScope®, Oxion, StereoBlue, NexiusZoom, DZ series, MacroZoom
• jewelry	Precise manufacturing of very small decorative items such as brooches, rings, bracelets and more	BE-50 LED series, StereoBlue, NexiusZoom, DZ series, Z series

INDUSTRY	FIELD OF APPLICATION	RECOMMENDED MODELS
• mechanics	Manufacturing and quality inspection of mechanical parts	iScope® (materials), Oxion (materials), Oxion Inverso (materials), bScope® (materials), StereoBlue, NexiusZoom, DZ series, MacroZoom
• metallurgy	Manufacturing and quality inspection of metallic elements, intermetallic compounds and alloys	iScope® (materials), Oxion (materials), Oxion Inverso (materials), bScope® (materials), StereoBlue, NexiusZoom, DZ series, MacroZoom
• mining	Extraction of minerals Identification, quantitative and qualitative evaluation of minerals	iScope® (materials and polarization), Oxion (materials and polarization), Oxion Inverso (materials), bScope® (materials), StereoBlue, NexiusZoom, DZ series
• paper industry	Production of paper related products. Quality inspection	iScope® (materials), Oxion (materials), bScope® (materials), StereoBlue, NexiusZoom, DZ series, MacroZoom
• petrochemical	Research and transformation of crude oil and natural gas	iScope® (materials), Oxion (materials), bScope® (materials), StereoBlue, NexiusZoom, DZ series
• petrology	Study of the composition and structure of rocks as branch of geology. Identification by means of polarization microscopy	iScope® (polarization), StereoBlue, NexiusZoom, DZ series
• pharmaceuticals	Development and production of drugs for medication. Quality assurance and inspection of produced products	iScope® (polarization), StereoBlue, NexiusZoom, DZ series
• plastics	Development and production of plastics and plastic based compounds. Quality assurance and inspection	iScope® (materials), Oxion (materials), Oxion Inverso (materials), bScope® (materials), StereoBlue, NexiusZoom, DZ series
• printing industry	Production of relief printing, lithography	iScope® (materials), Oxion (materials), bScope® (materials), AP series, StereoBlue, NexiusZoom, DZ series, MacroZoom
• textile	Development and production of all kinds of textile based products. Quality assurance and inspection	iScope® (materials), Oxion (materials), Oxion Inverso (materials), B+ (materials), AP series, StereoBlue, NexiusZoom, DZ series, MacroZoom
• water treatment	Production of drinking water and wastewater treatment. Quality control and disease prevention	BioBlue.Lab, bScope®, iScope®, Oxion
• wood production	Wood production for construction material, fuel. Quality control	iScope® (materials), Oxion (materials), Oxion Inverso (materials), B+ (materials), AP series, StereoBlue, NexiusZoom, DZ series, MacroZoom

# index

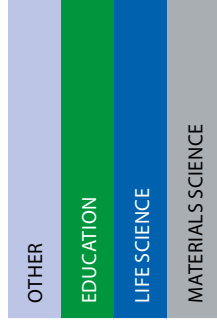
## PRODUCT

	P	A	G	E
Abbe refractometer	407			
About -				
- Antoni van Leeuwenhoek			205	
- APL		53		
- camera resolutions and limits			261	
- differential interference contrast				331
- field of view			143	361
- fluorescence			185	
- magnifiers				309
- microscope basics		21		
- microscope optics			237	
- objectives		15		
- petrological microscopy				343
- stereo microscopes				297
Accessories for microscopy	368			
Adapter guide		102	268	366
AP series		68		
Autofocus cameras		92	256	358
BE-50 Series				304
BioBlue		22		
BioBlue digital		78	240	
BioBlue.Lab		28	144	
Biological microscopes		8	104	
bScope biological		32	118	
bScope digital		80	242	
bScope fluorescence			168	
bScope materials				320
CMEX Pro USB-3.0 cameras		90	254	356
CMEX USB-2.0 cameras		88	253	355
CMEX-WIFI camera		94	252	354



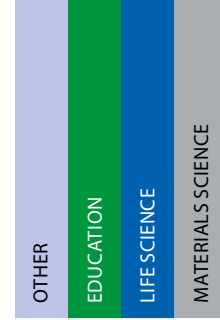
## PRODUCT

	P	A	G	E
Cold light sources	372			
Cooled camera		95	260	360
Delphi-X Inverso biological			148	
Delphi-X Inverso fluorescence			186	
Delphi-X Inverso materials				336
Delphi-X Observer biological			126	
Delphi-X Observer fluorescence			174	
Delphi-X Observer materials				324
Differential interference contrast				331
Digital MacroZoom		86	244	346
Digital microscopes		74	240	
Digital solutions		72	238	344
Disposables	394			
Dissection instruments	378			
Dissection kits	380			
DZ series			222	292
EcoBlue		16		
Ecoblue digital		76		
EduBlue		48		
EduBlue digital		82		
EduBlue LCD		84		
EduPad		96		
Field of view			143	361
Fluorescence filter sets			200	
Fluorescence LED light sources			198	
Fluorescence microscopes			160	
Handheld magnifiers	398			
Handheld refractometers	404			
Handheld spectrosopes	410			
High definition cameras		92	256	358



## PRODUCT

	P	A	G	E
How to keep the optics clean			117	
How to match camera resolution			251	
How to set up a stereo microscope		59	217	283
Illumination solutions	370			
ImageFocus software		100	264	364
Inverted biological			148	
Inverted fluorescence			186	
Inverted materials				336
iScope biological		38	106	
iScope fluorescence			162	
iScope materials				312
LED cold light sources	372			
LED ring light sources	372			
LED light sources fluorescence			198	
Light sources	370			
MacroZoom		86	244	346
Magnifiers	398			
Measuring microscopes	400			
MicroBlue		10		
MicroBlue digital		74		
Microscope basics		21		
Microscope optics			237	
NexiusZoom ESD				272
NexiusZoom and -EVO		60	208	272
NexiusZoom for gemology				284
Objectives		15		
Other products	396			
Optical instruments	396			
Oxion biological			138	
Oxion fluorescence			180	



## PRODUCT

	P	A	G	E
Oxion Inverso biological			154	
Oxion Inverso materials				340
Oxion Inverso fluorescence			192	
Oxion materials				332
P series			234	306
Petrological microscopy				343
Polarimeters	408			
Polarization microscopes				314
Polarization microscopes advanced				328
Preparation accessories	378			
Prepared slides	382			
Prepared slides Individual	390			
ProPad		98	262	362
Refractometers	402			
Ring lights	374			
sCMEX USB-3.0 camera		91	255	357
Software		100	264	364
Spectrosopes	410			
Stains	395			
StereoBlue		54	218	288
Stereo microscopes		46	206	270
Stereo microscopes (about)				297
Tablet camera		96	262	362
USB 2 cameras		88	253	355
USB 3 cameras		90	254	356
WiFi camera		94	252	354
Z series			228	300



# euromex

## MICROSCOPE COLLECTION

### 2023 • 2024



*The Euromex Quality System is certified according to ISO 9001:2015, and ISO 13485:2016 for medical supplies. This supports our pursuit of continuous improvement and our on-going commitment to provide our world-wide customers assurance of product quality*

#### DISCLAIMER

All information and materials contained in this catalog have been prepared solely for the purpose of providing general information about the products offered by Euromex Microscopen bv. The content of and all information published in this catalog are provided in good faith as a convenience to you and may be used for information purposes only and at all times in accordance with these terms of access

Euromex Microscopen bv does not warrant the completeness or accuracy of information obtained from its catalog and does not undertake to update or correct its content or the information and/or materials contained on it on a regular basis

Euromex Microscopen bv reserves the right to make improvements and/or changes to (including the removal of) the products described or referred to in the catalog and to delete and/or move any such information at any time and without notice

---

Euromex is a registered trademark of Euromex Microscopen bv

© 2023 Copyright Euromex Microscopen bv

#### HEADQUARTERS

##### Euromex Microscopen bv

Papenkamp 20  
6836 BD Arnhem  
The Netherlands  
Tel: +31 (0) 26 323 22 11  
info@euromex.com

#### EUROPEAN SALES OFFICE

##### Euromex Microscopen Spain, S.L

Carretera de Barcelona 88, Entresuelo  
Esc. B - Local 9  
08302 Mataró, Spain  
Tel: +34 (0) 937 415 609  
info@euromex.com

**[www.euromex.com](http://www.euromex.com)**