

Energion S10

AIO Residential ESS

Features



Intelligent battery management



Voltage collection, temperature collection, balance control status indication



High energy density, high level safety, long service life



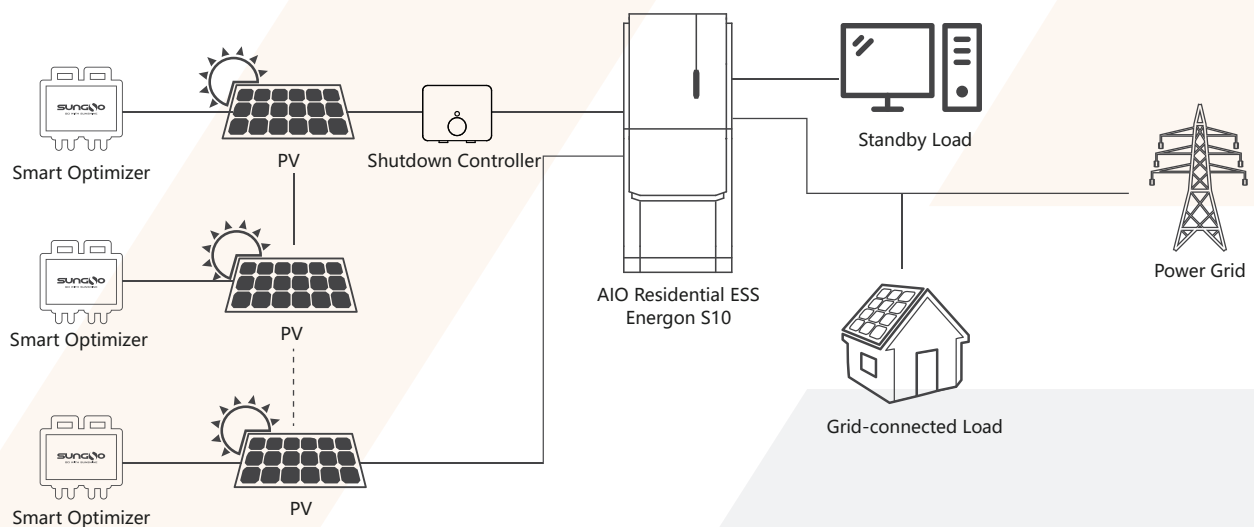
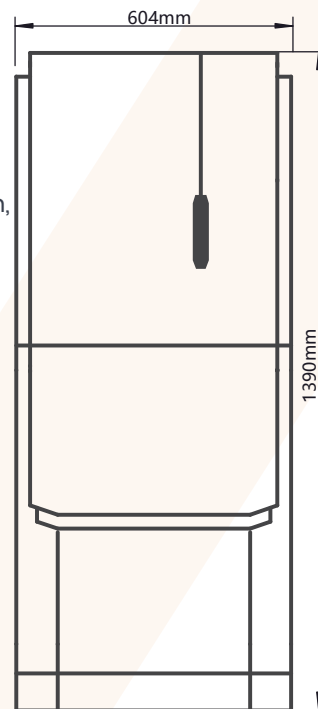
High Voltage and Current Sampling Accuracy

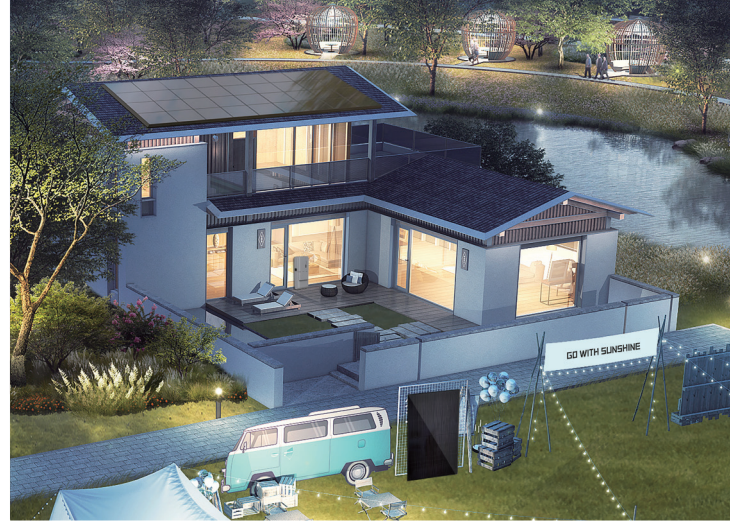


Compact structure, easy to install and transport



LFP battery: Maximum security





Technical Parameters

Model	Energion S10
DC Input	
Max. PV Array Power	7500 Wp STC
Max. Input Voltage	550V
No. of Independent MPPT Trackers	2
Strings Per MPPT Input	1
Max. input current of MPPT tracker	16 A
AC Input	
Rated Grid Voltage	AC230 V
Rated Grid Frequency	50Hz/60Hz
Rated Active Power	6000 VA
Rated Input Current	AC26.1 A
Max. Input Current	AC27.3 A
EPS Output	
Nominal Output Voltage	AC230 V
Nominal output frequency	50 Hz/60 Hz
Rated apparent power	5000 VA
Rated current (@230V)	21.7 A
Maximum switching time	≤ 10 ms
System Parameters	
Rated battery capacity	10.24kWh
Cell capacity	200Ah
Rated Voltage	51.2V
Voltage Range	40~58.4V
Rated Current	100A
Rated Ratio	0.5P
Cell type	LFP (LiFePO ₄)
Communication Method	CAN, RS485
Cooling	Natural Cooling
Cycles	≥6000 @80%
Weight	116Kg
Dimension[W*D*H]	604*252*1390mm
Operation Temperature	Charge: 0~55°C, Discharge: -10~55°C
Fire Protection System	Explosion proof valve&power bank type fire extinguishing device
Enclosure Rating	IP55 (Battery compartment IP65)
Installation Method	Ground
Standards and certifications	IEC62619 CE UN38.3 Rohs