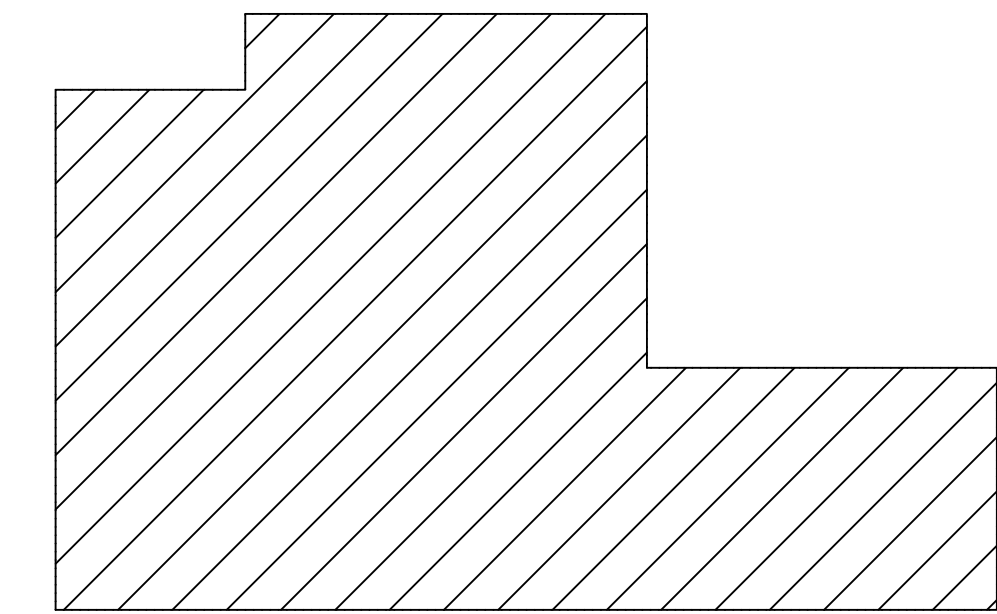


ISOMETRIC VIEW

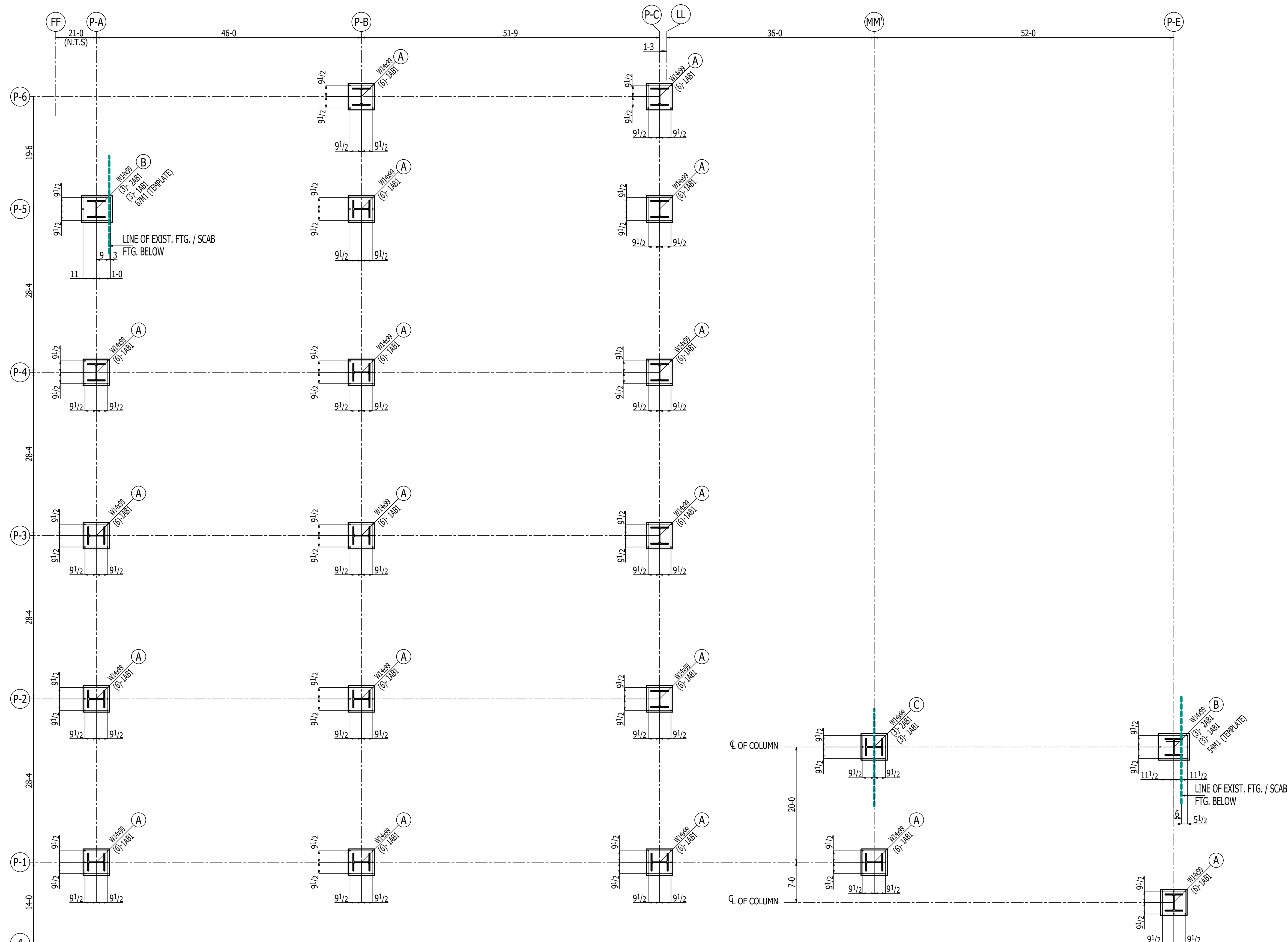
REV	DATE	DESCRIPTION

SAMPLE DRAWING

SHOP NOTES	PROJECT:			
ELECTRODE: E70XX UNO	CUSTOMER:			
CLEANING: SSPC- SP3	TITLE: ISOMETRIC VIEW			
PAIN: ONE SHOP COAT OF RED OXIDE PAINT	<small>DRAWN: HBP</small> <small>DATE: 01-17-2025</small>	JOB NO:	SHEET:	REV.
E DWG. REF. :	<small>CHECKED: RKM</small> <small>DATE: 01-17-2025</small>	----	E1	A



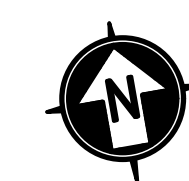
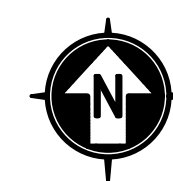
KEY PLAN



ANCHOR BOLT SETTING PLAN

(REF :S201)

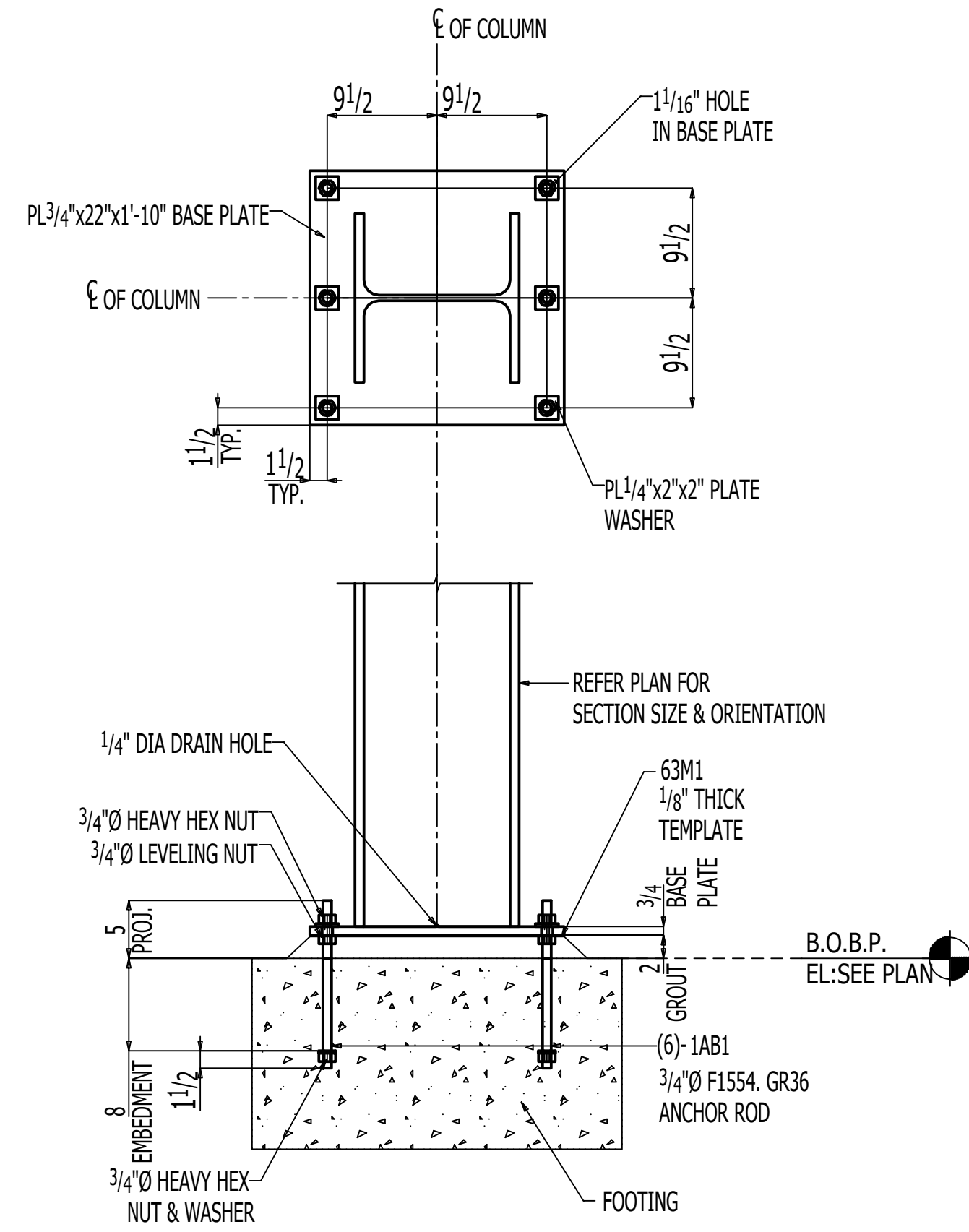
- NOTE:
1. B.O.B.P. EL: 98-8 (U.N.O.)
 2. REFER SHEET AB2 FOR ANCHOR BOLT SETTING DETAILS.
 3. N.T.S-INDICATES NOT TO SCALE



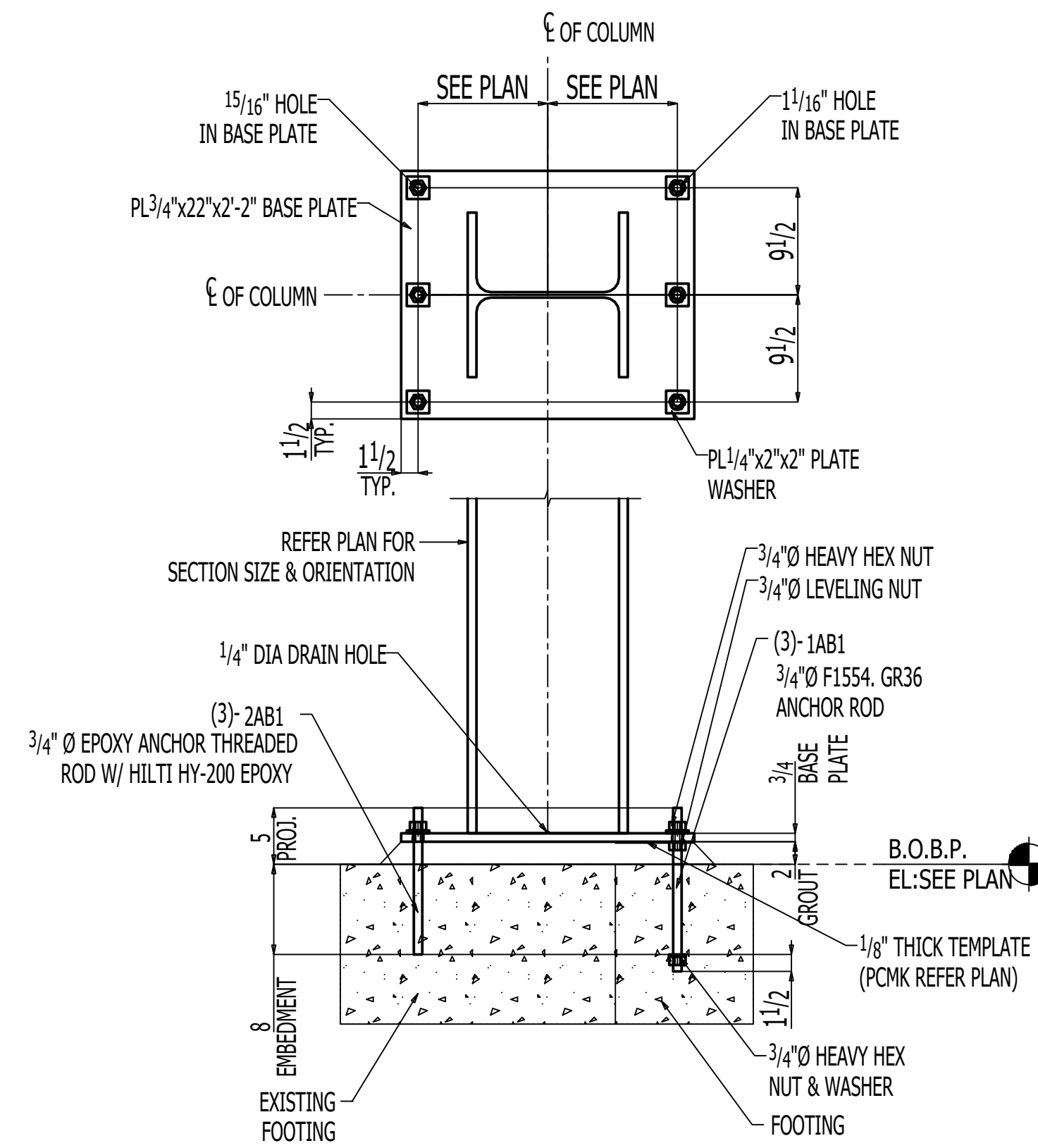
REV	DATE	DESCRIPTION

SAMPLE DRAWING

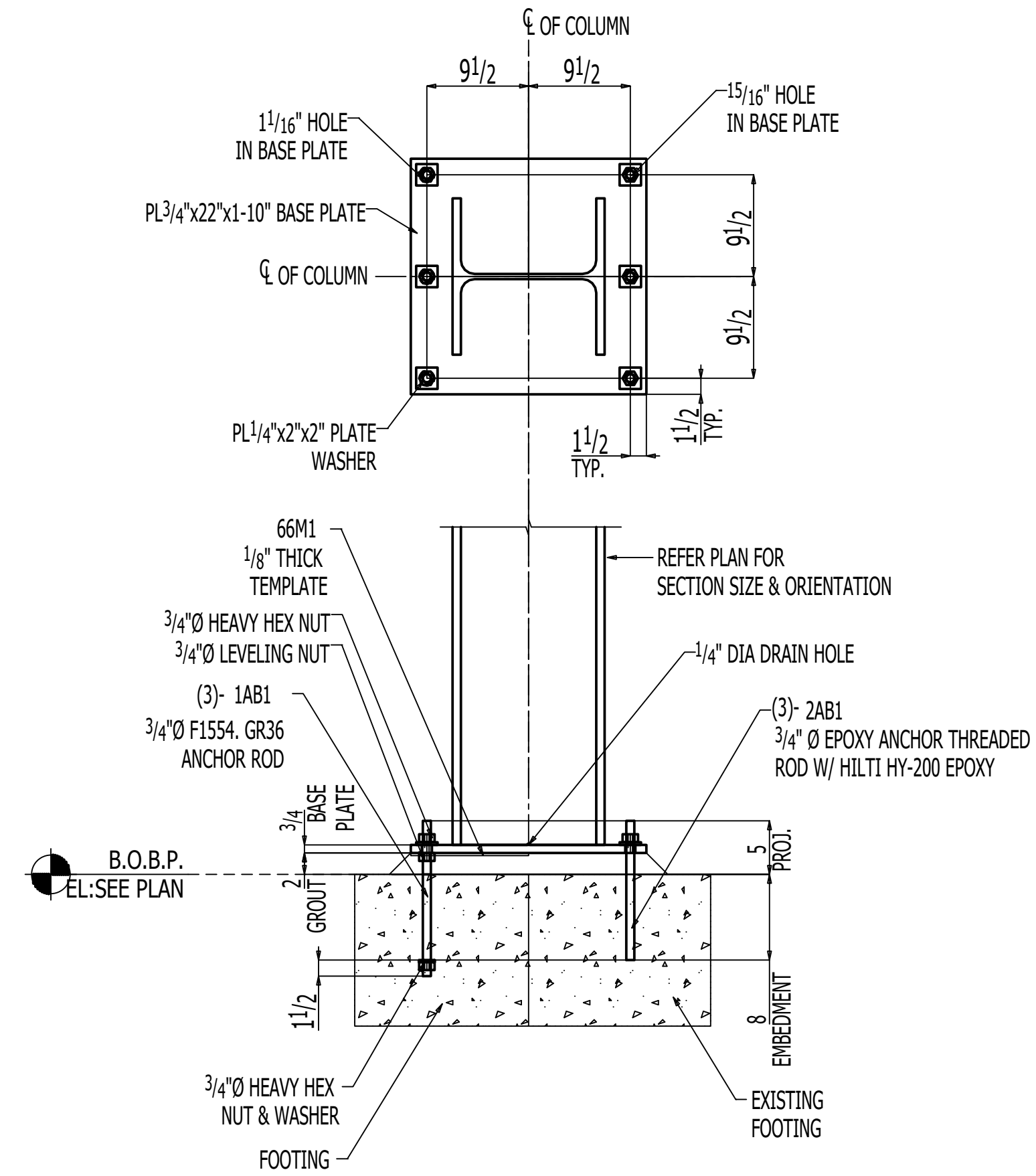
SHOP NOTES	PROJECT:			
ELECTRODE: E70XX UNO	CUSTOMER:			
CLEANING: SSPC- SP3	TITLE: ANCHOR BOLT SETTING PLAN			
PAIN: ONE SHOP COAT OF RED OXIDE PAINT	DRAWN: HBP	JOB NO:	SHEET:	REV.
E DWG. REF. :	DATE: 01-17-2025	----	AB1	A
	CHECKED: RKM			
	DATE: 01-17-2025			



ANCHOR BOLT SETTING DETAIL TYPE-A
(AT 18 LOCATIONS)
(REF :S101)



ANCHOR BOLT SETTING DETAIL TYPE-B
(AT 02 LOCATIONS)
(REF :S101)

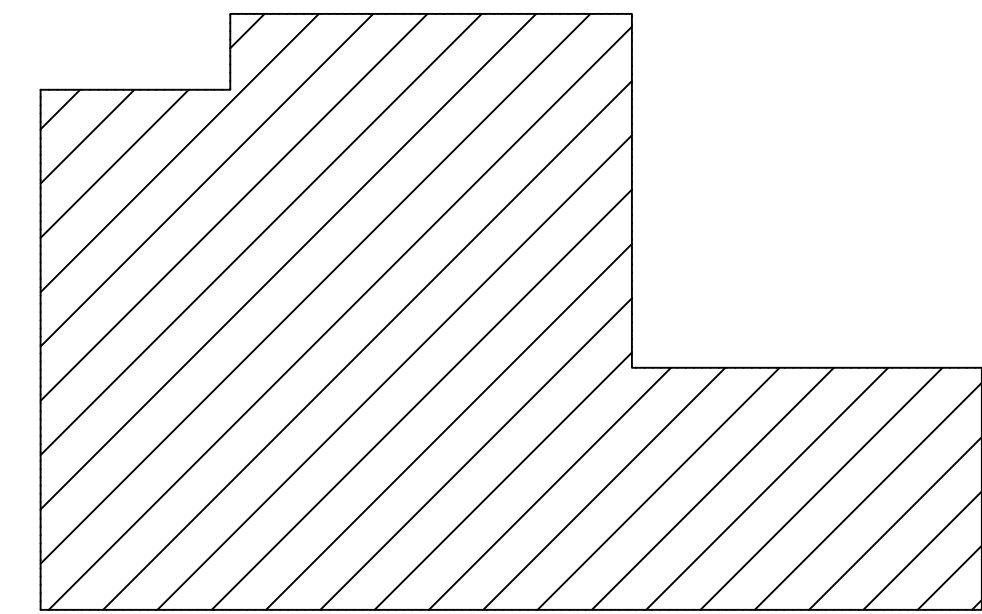
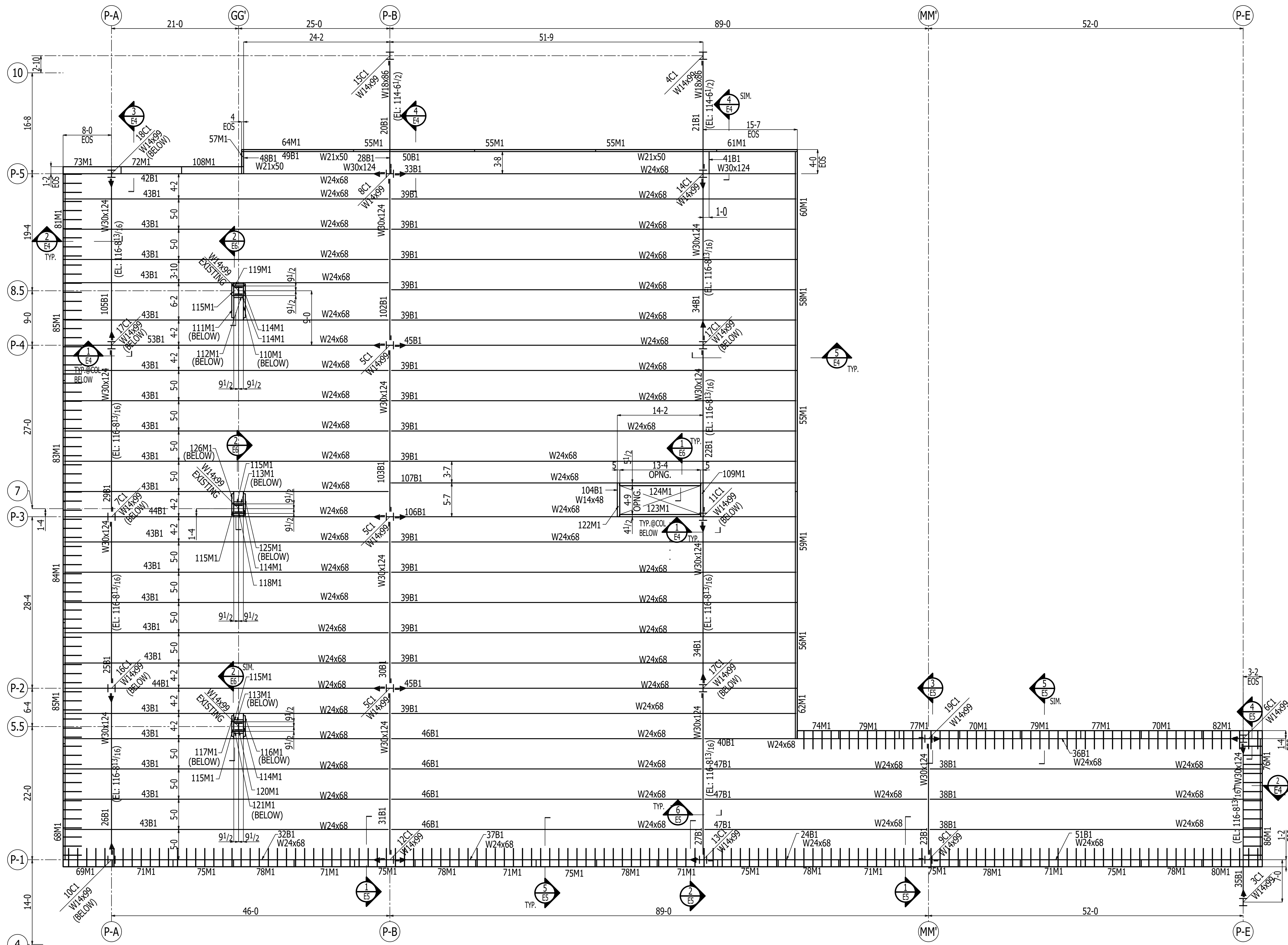


ANCHOR BOLT SETTING DETAIL TYPE-C
(AT ONE LOCATION)
(REF :S101)

REV	DATE	DESCRIPTION

SAMPLE DRAWING

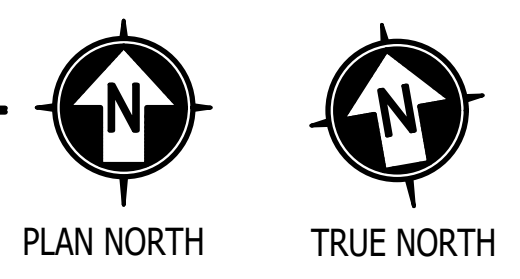
SHOP NOTES		PROJECT:		
ELECTRODE: E70XX UNO		CUSTOMER:		
CLEANING: SSPC- SP3		TITLE: ANCHOR BOLT SETTING DETAIL		
PAIN: ONE SHOP COAT OF RED OXIDE PAINT	DRAWN: HBP DATE: 01-17-2025	JOB NO:	SHEET:	REV.
E DWG. REF. :	CHECKED: RKM DATE: 01-17-2025	----	AB2	A



KEY PLAN

MEZZANINE PLATFORM FRAMING PLAN
(REF : S301)

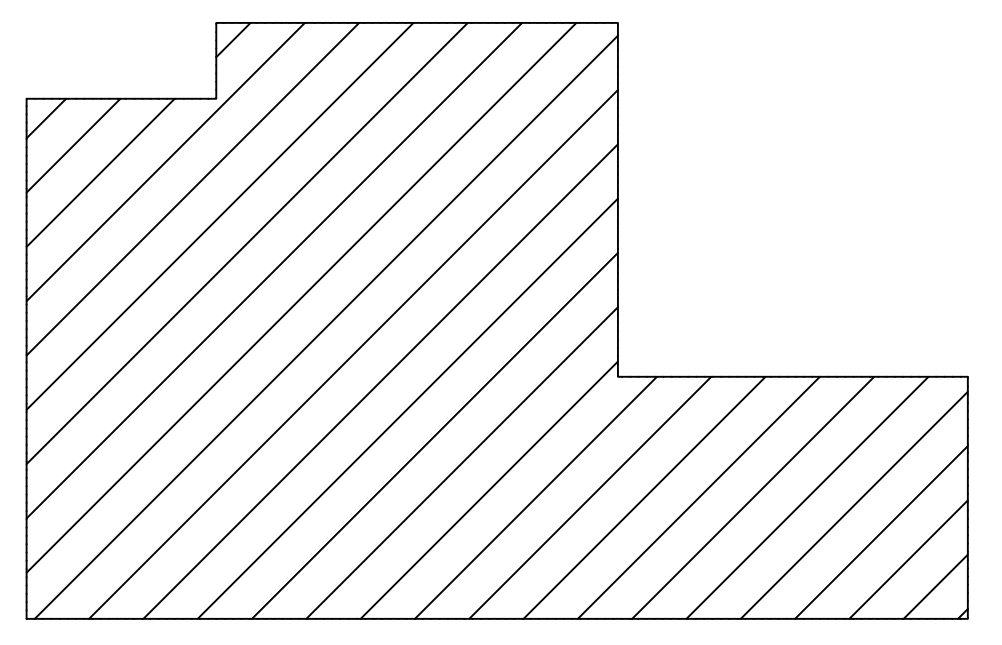
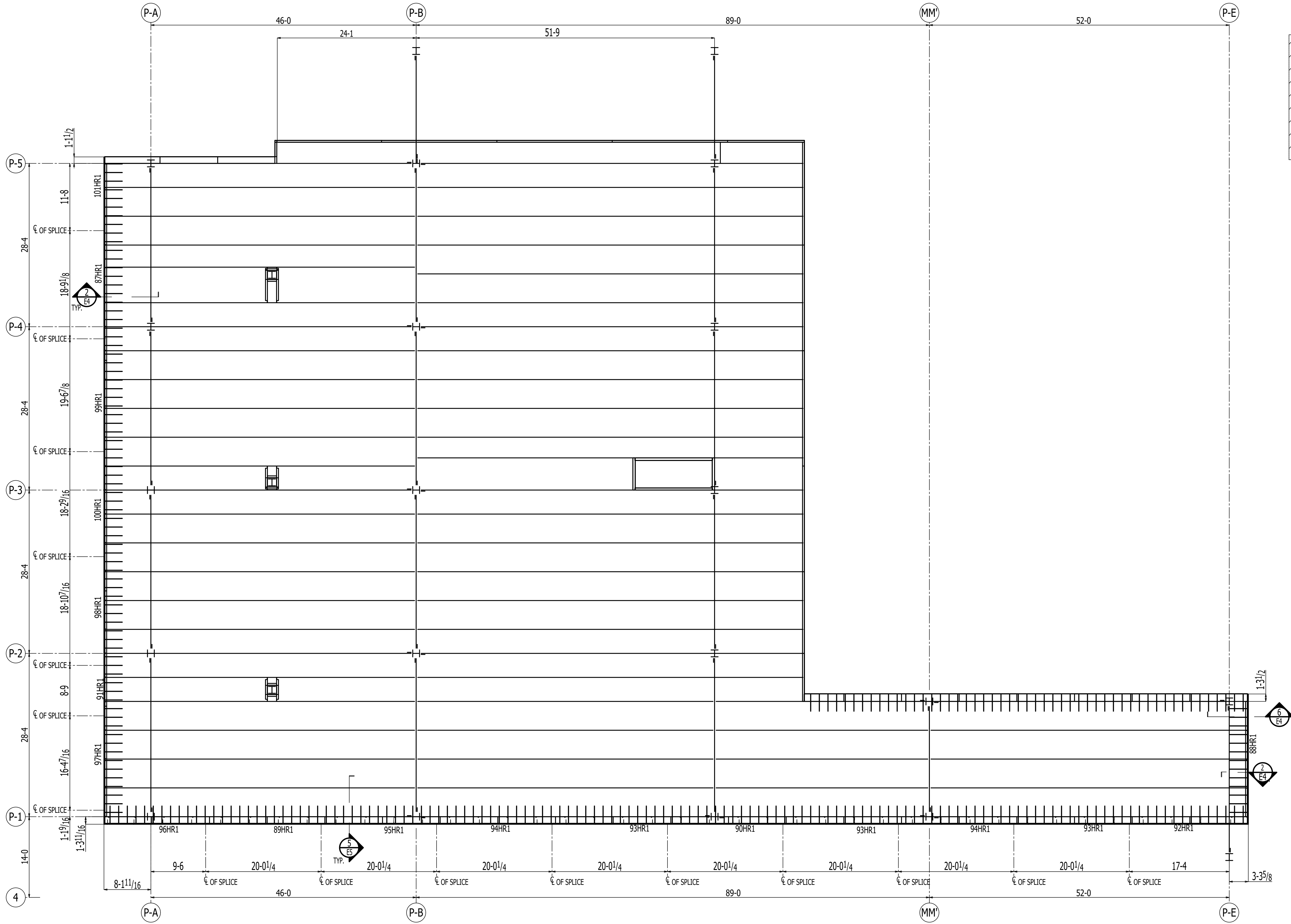
- NOTE:-
1. TOP OF BEAM ELEVATION:-118'-8 1/2" (U.N.O.)
 2. FOR SECTION VIEW REFER SHEET E4 THRU E6.
 3. ► INDICATES MOMENT CONNECTION.
 4. — INDICATES SHEAR PLATE DIRECTION.



REV	DATE	DESCRIPTION

SAMPLE DRAWING

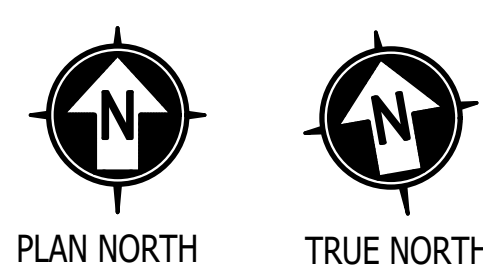
SHOP NOTES		PROJECT:		
ELECTRODE: E70XX UNO		CUSTOMER:		
CLEANING: SSPC- SP3		TITLE: MEZZANINE PLATFORM FRAMING PLAN		
PAIN: ONE SHOP COAT OF RED OXIDE PAINT	DRAWN: HBP DATE: 01-17-2025	JOB NO: ----	SHEET: E2	REV: A
E DWG. REF. :	CHECKED: RKM DATE: 01-17-2025			



KEY PLAN

GUARDRAIL FRAMING PLAN
(REF : S301 & A402)

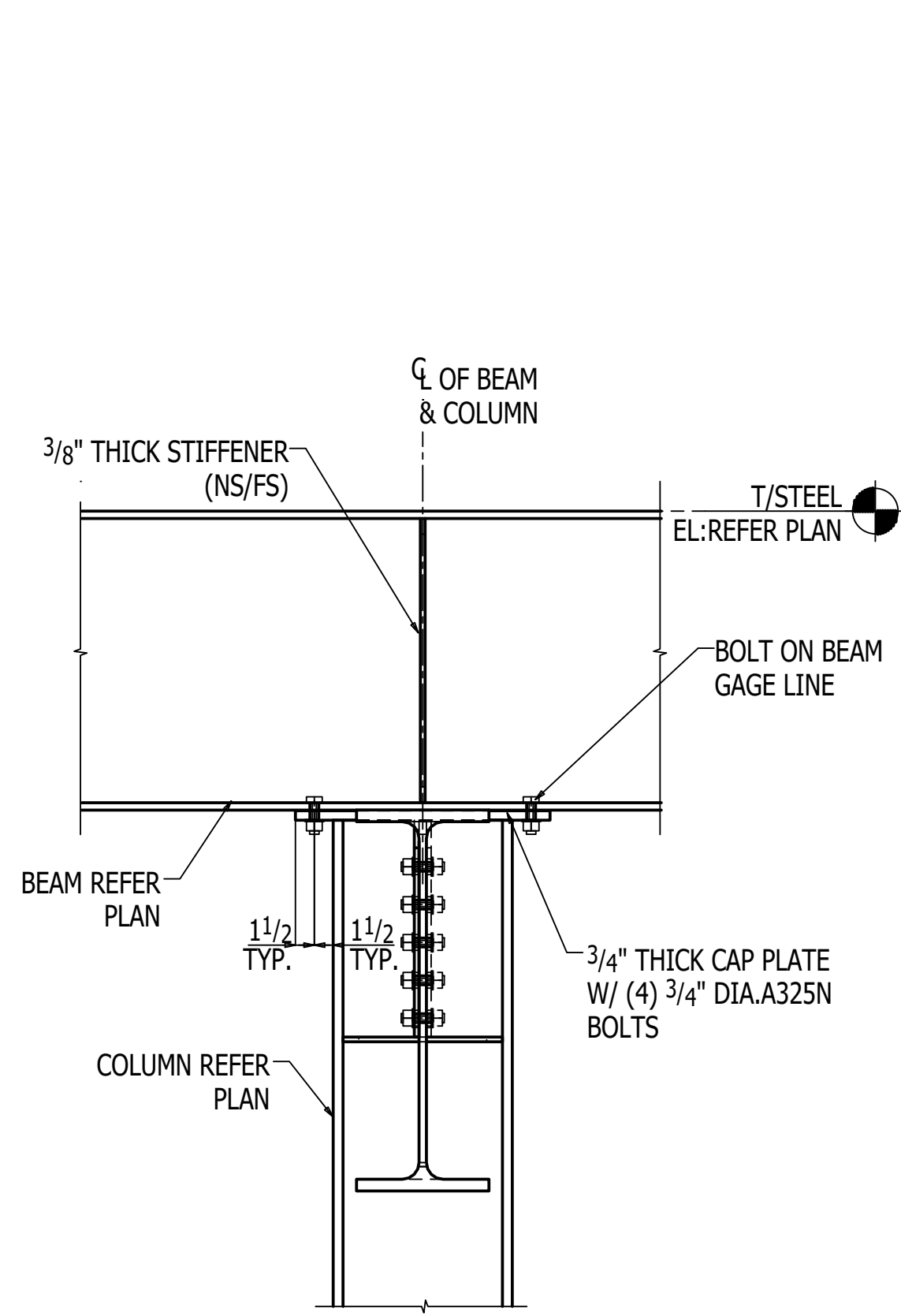
NOTE:-
1. FOR SECTION VIEW REFER SHEET E4 THRU E6.



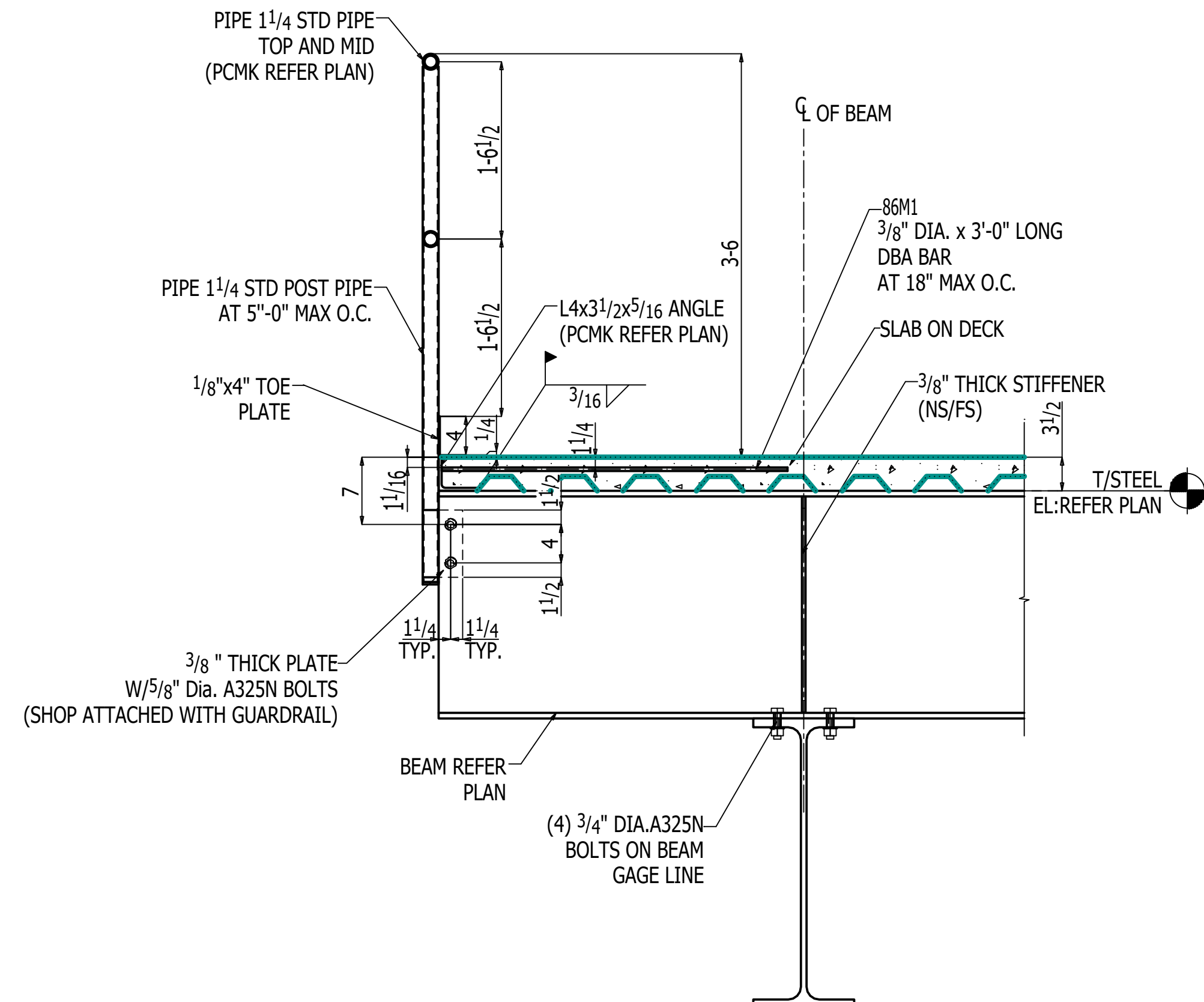
REV	DATE	DESCRIPTION

SAMPLE DRAWING

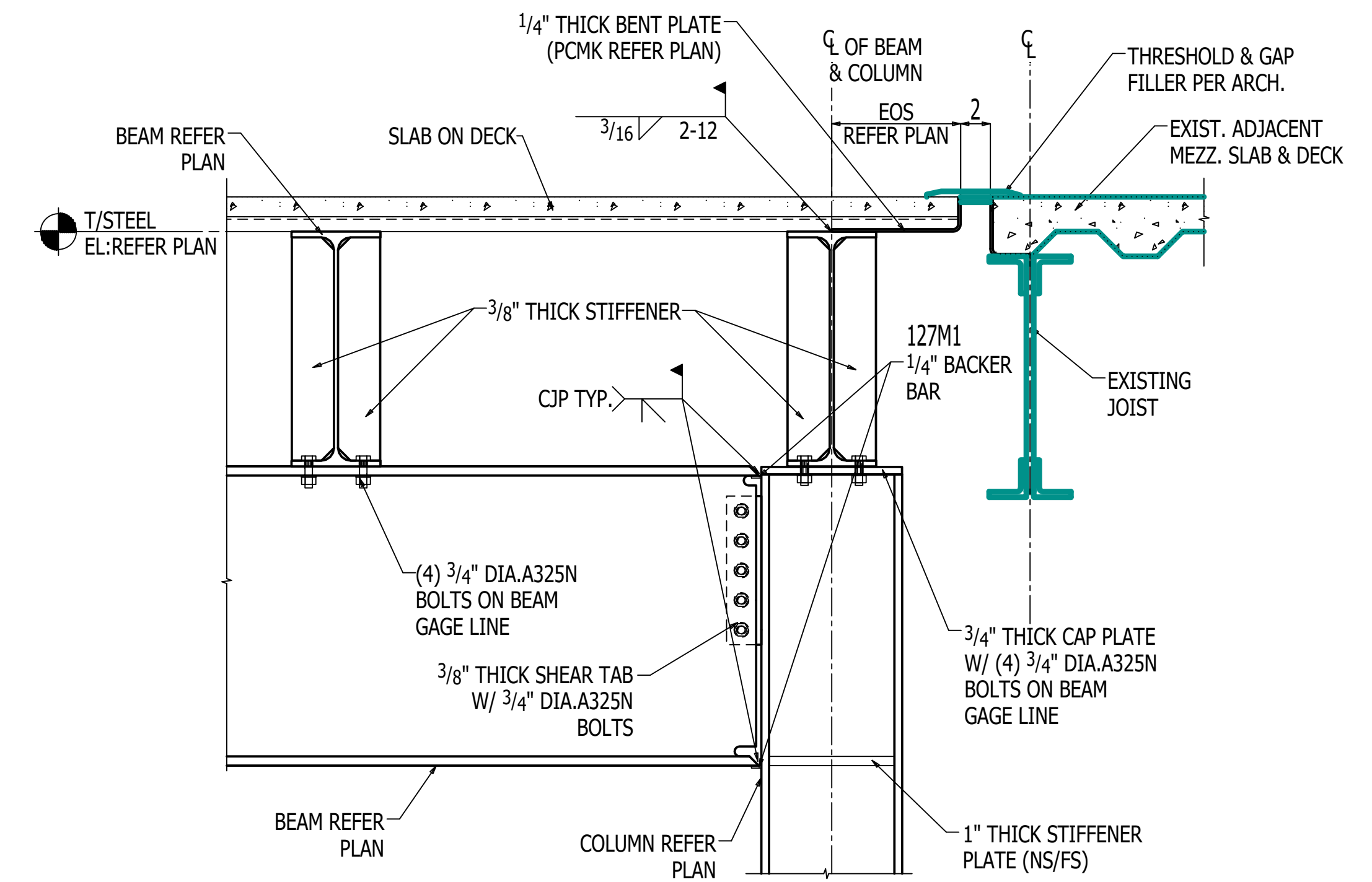
SHOP NOTES		PROJECT:		
ELECTRODE: E70XX UNO		CUSTOMER:		
CLEANING: SSPC- SP3		TITLE: GUARDRAIL FRAMING PLAN		
PAINT: ONE SHOP COAT OF RED OXIDE PAINT		DRAWN: HBP	JOB NO:	SHEET:
E DWG. REF. :		DATE: 01-17-2025	----	E3
		CHECKED: RKM		REV:
		DATE: 01-17-2025		A



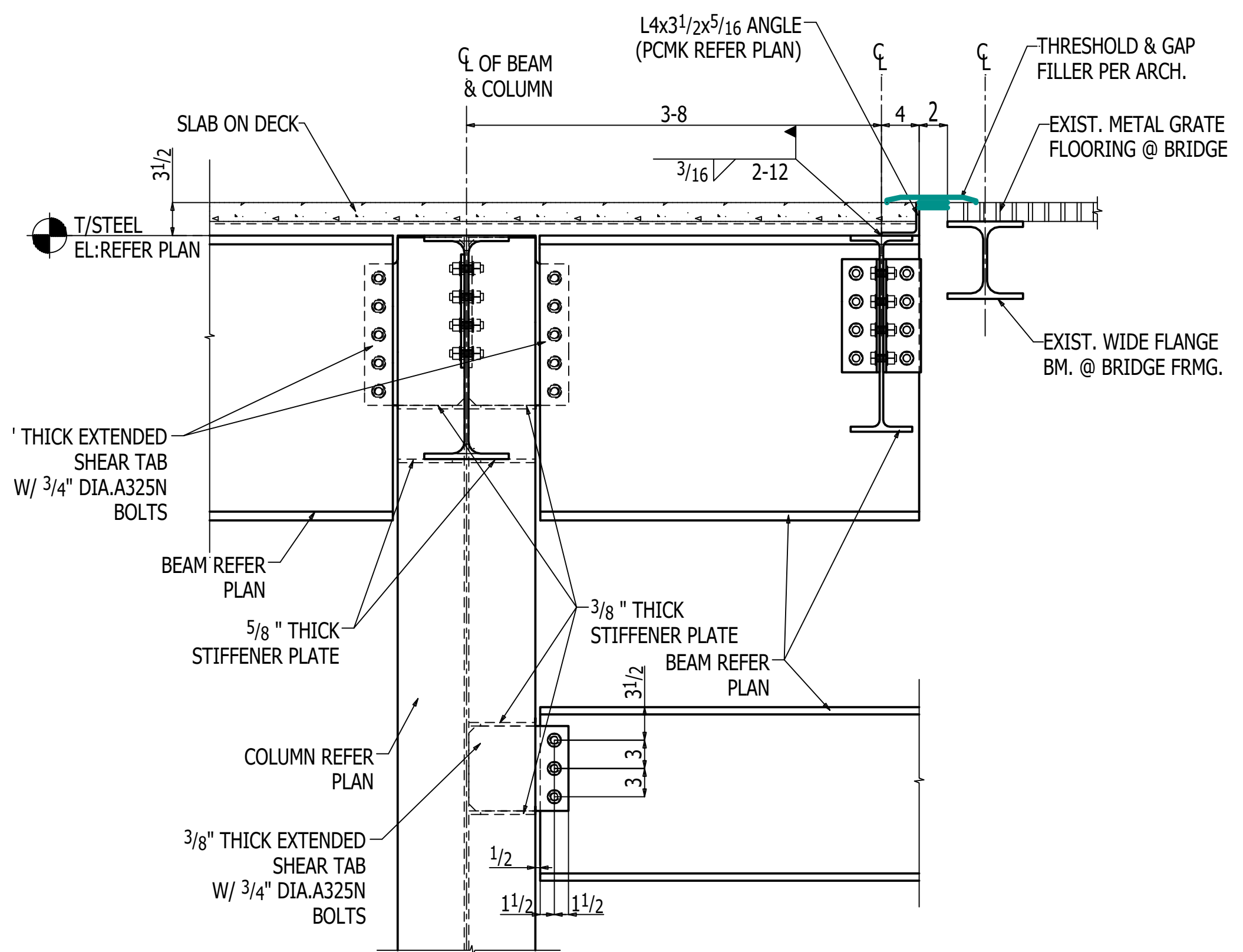
1 SECTION VIEW
E4 (REF : 4/S401)



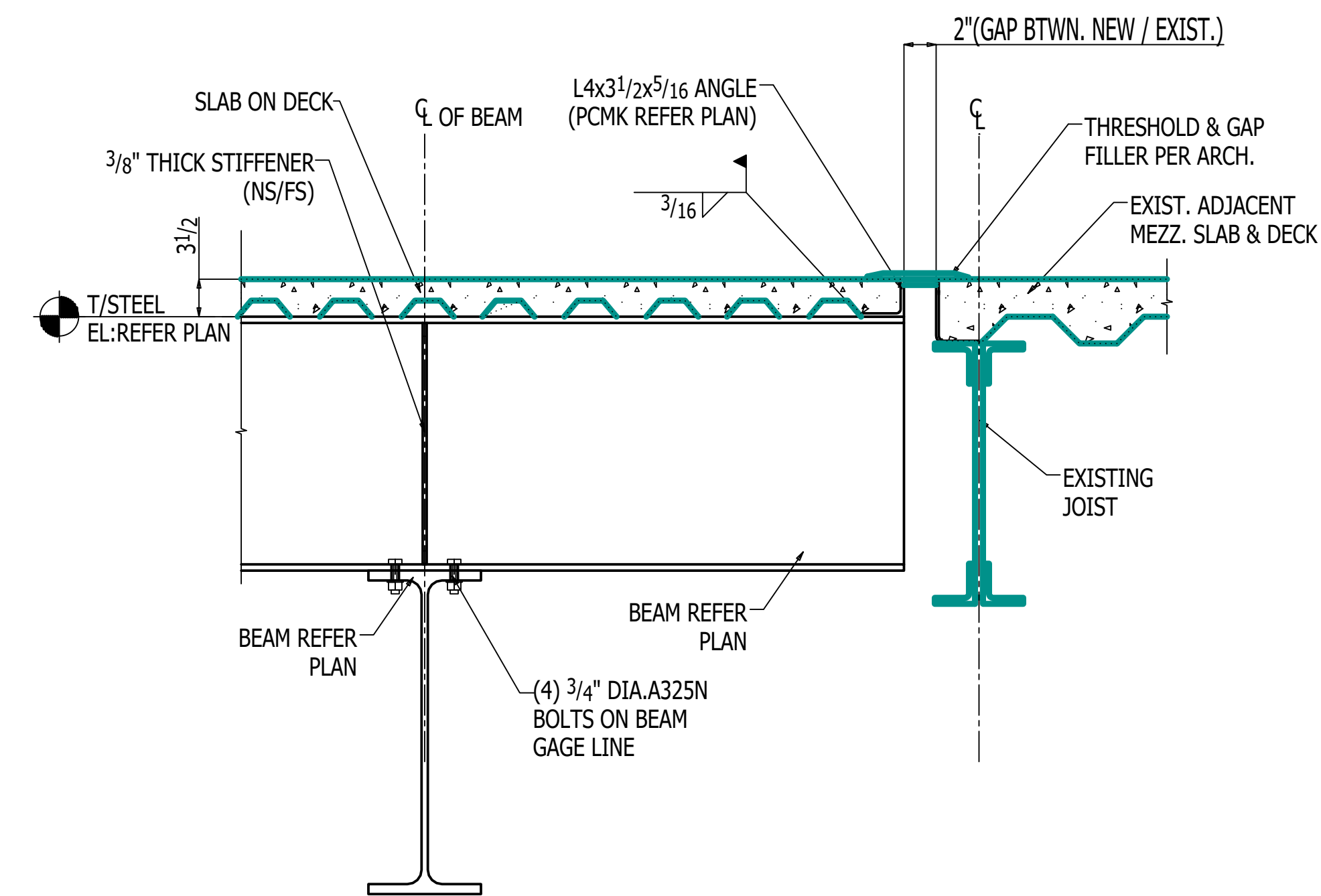
2 SECTION VIEW
E4 (REF : 11/S401 & 7/A402)



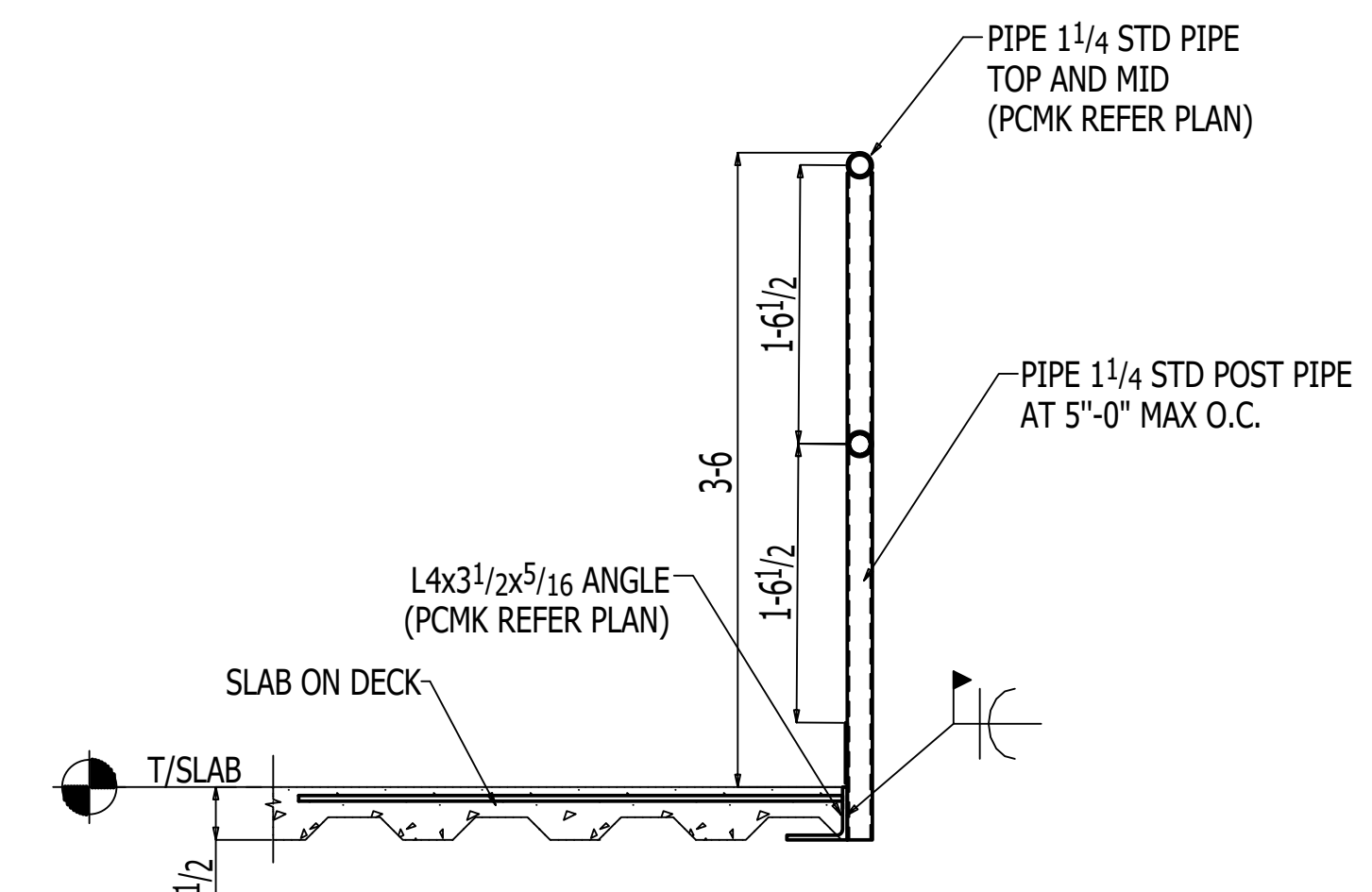
3 SECTION VIEW
E4 (REF : 8/S401)



4 SECTION VIEW
E4 (REF : 7/S401)



5 SECTION VIEW
E4 (REF : 10/S401)

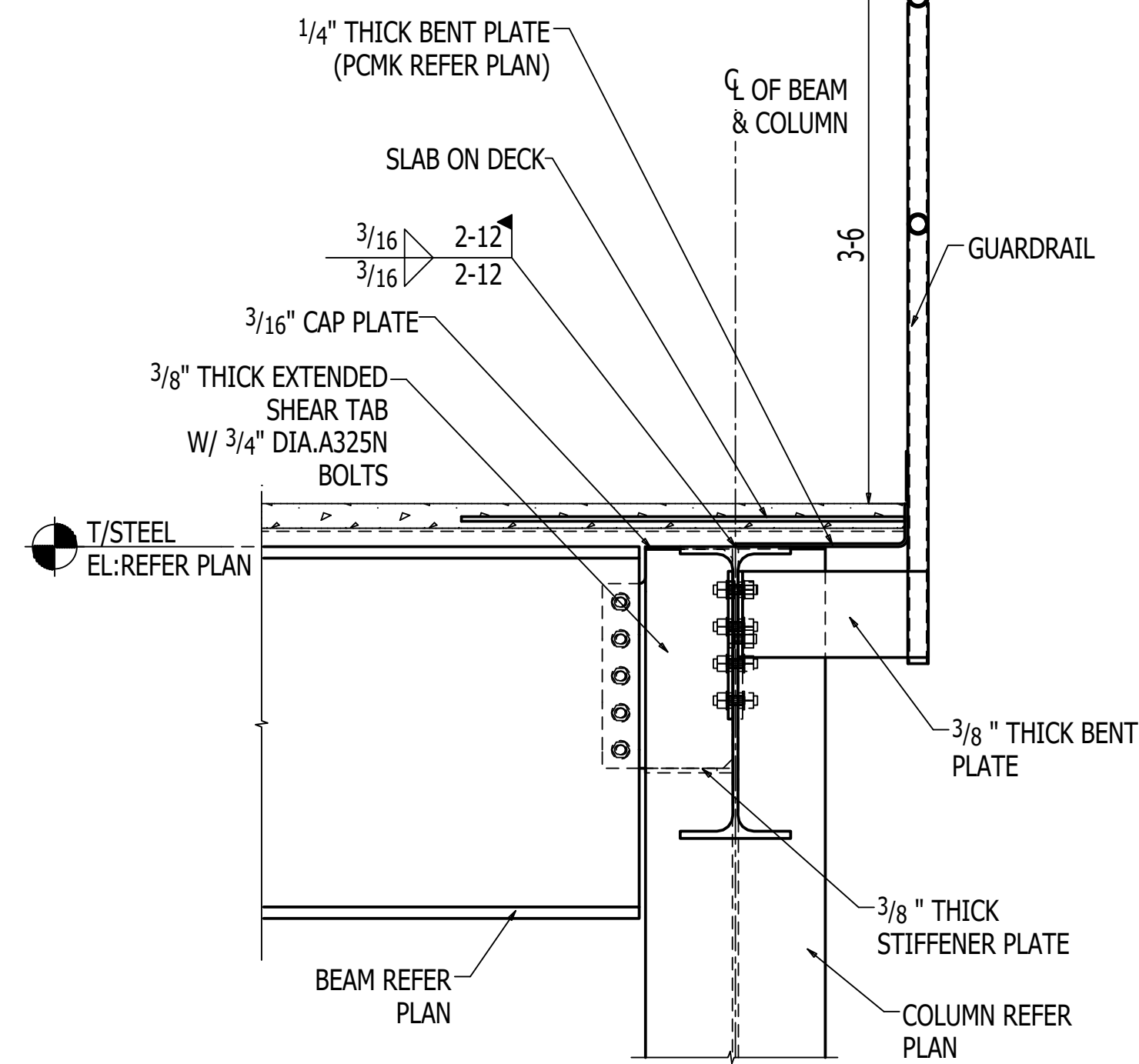


6 SECTION VIEW
E4

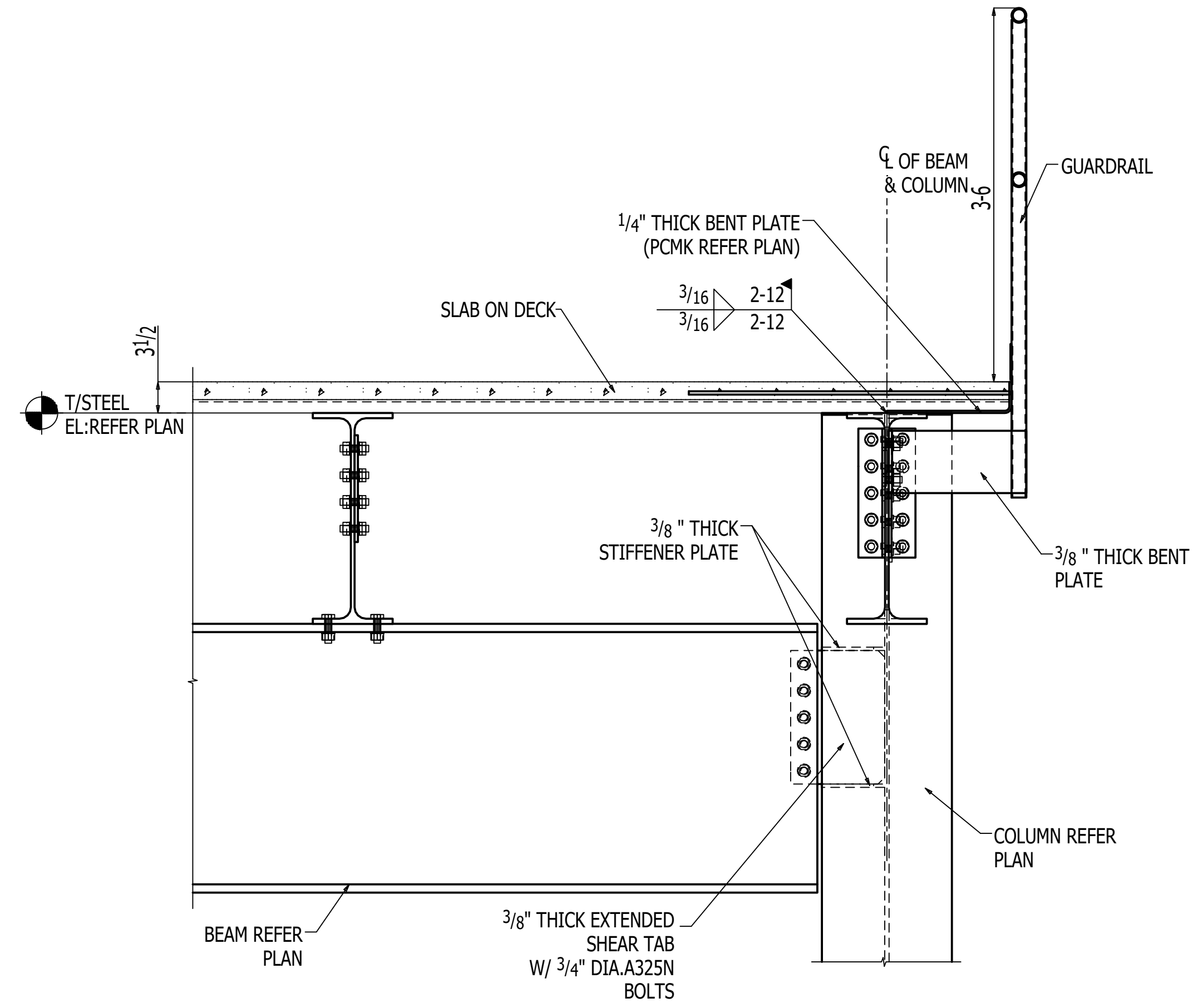
REV	DATE	DESCRIPTION

SAMPLE DRAWING

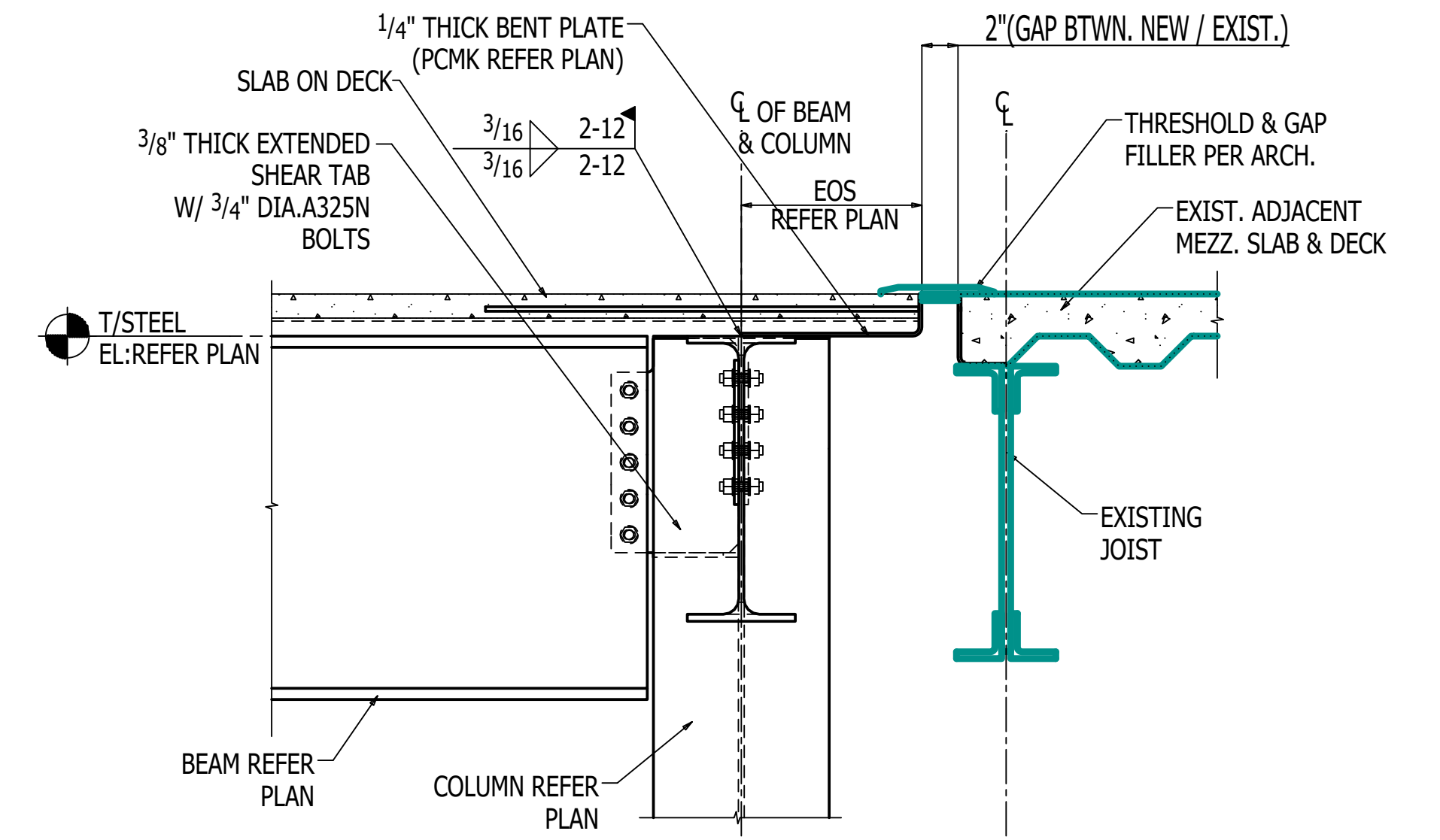
SHOP NOTES		PROJECT:		
ELECTRODE: E70XX UNO		CUSTOMER:		
CLEANING: SSPC- SP3	TITLE: SECTION DETAIL			
PAIN: ONE SHOP COAT OF RED OXIDE PAINT	DRAWN: HBP DATE: 01-17-2025	JOB NO:	SHEET: E4	REV: A
E DWG. REF. :	CHECKED: RKM DATE: 01-17-2025	----		



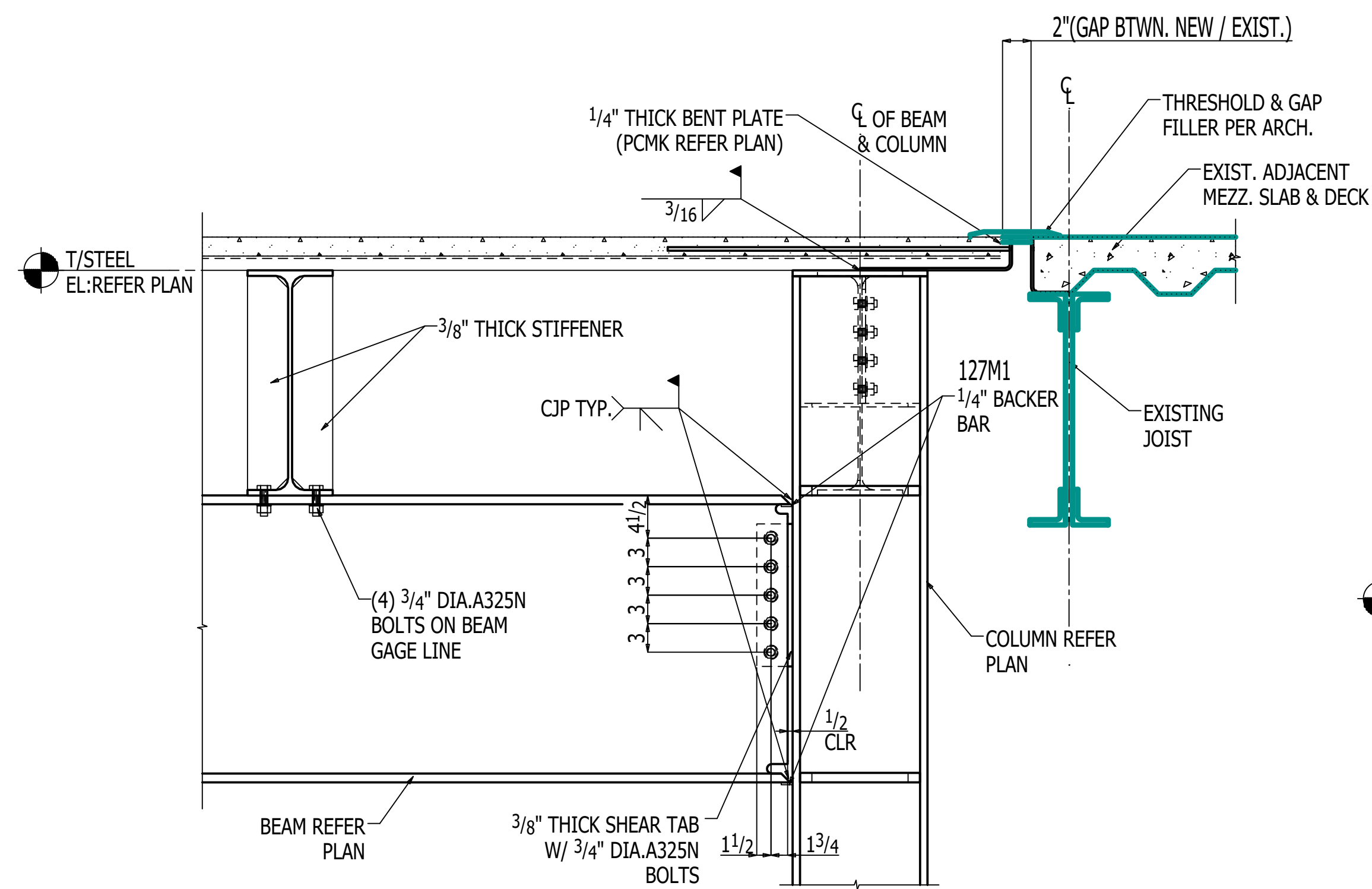
1 SECTION VIEW
E5 (REF: 5/S401)



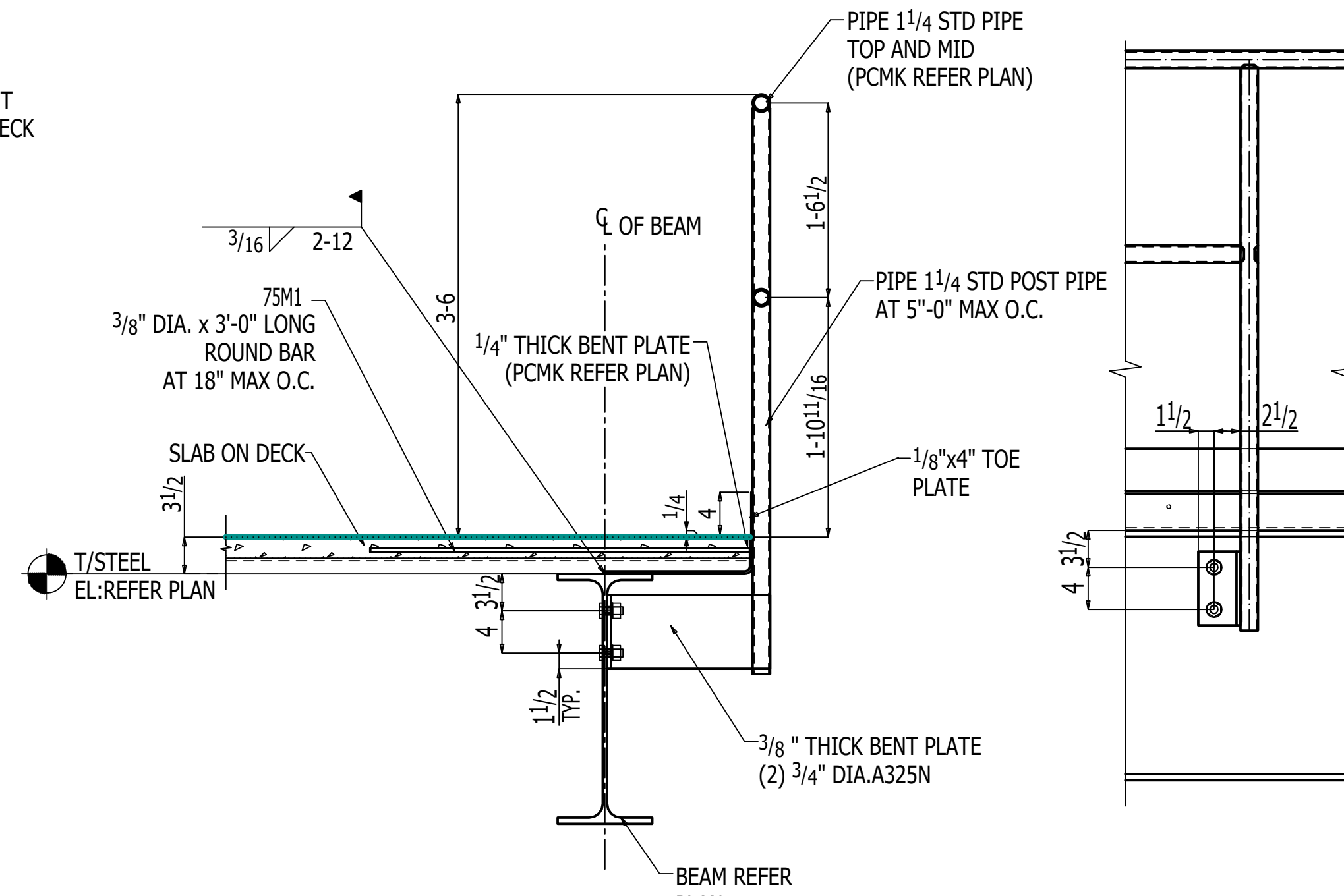
2 SECTION VIEW
E5 (REF: 6/S401)



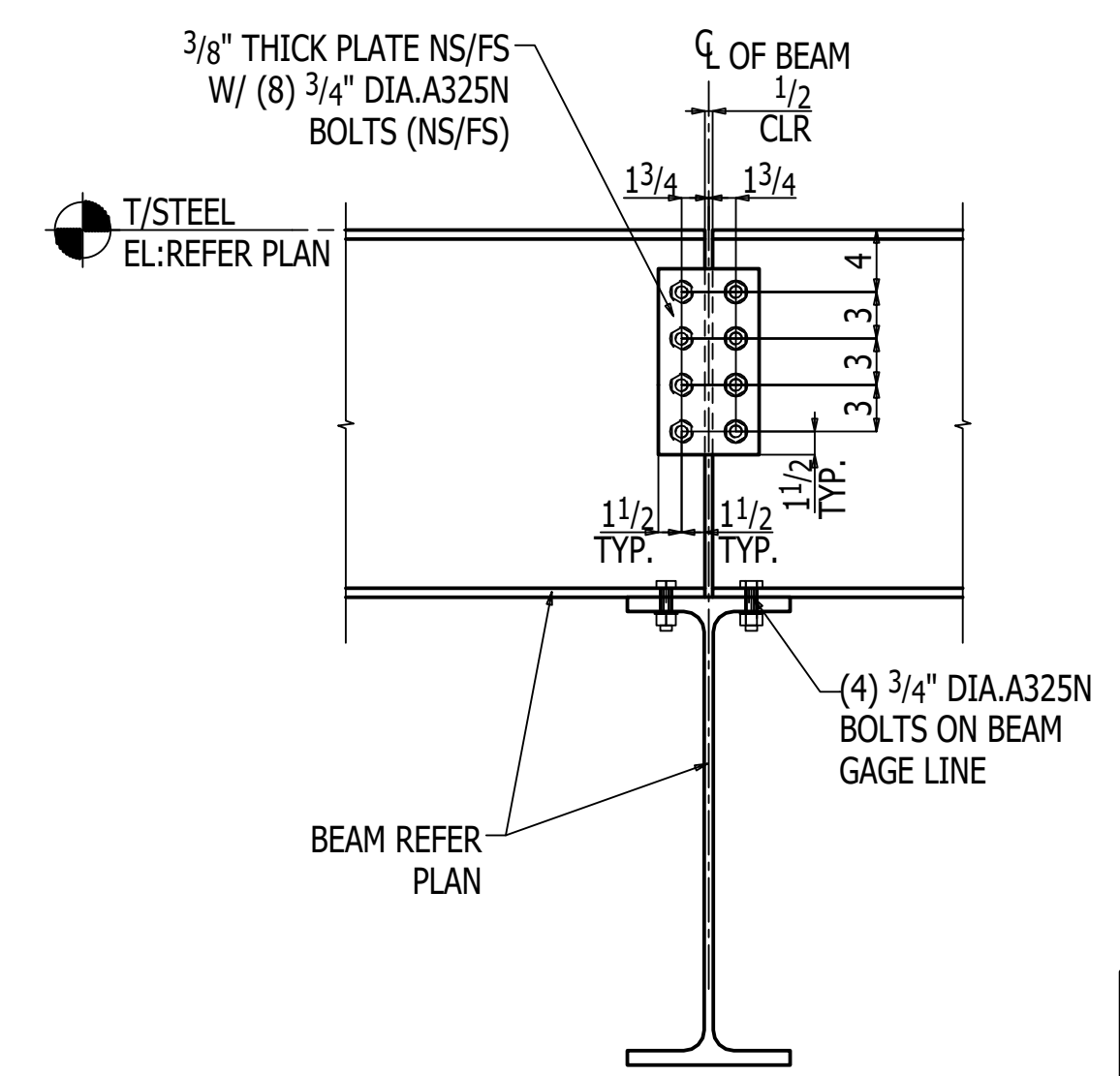
3 SECTION VIEW
E5 (REF: 8/S401)



4 SECTION VIEW
E5 (REF: 9/S401)



5 SECTION VIEW
E5 (REF: 9/S401)

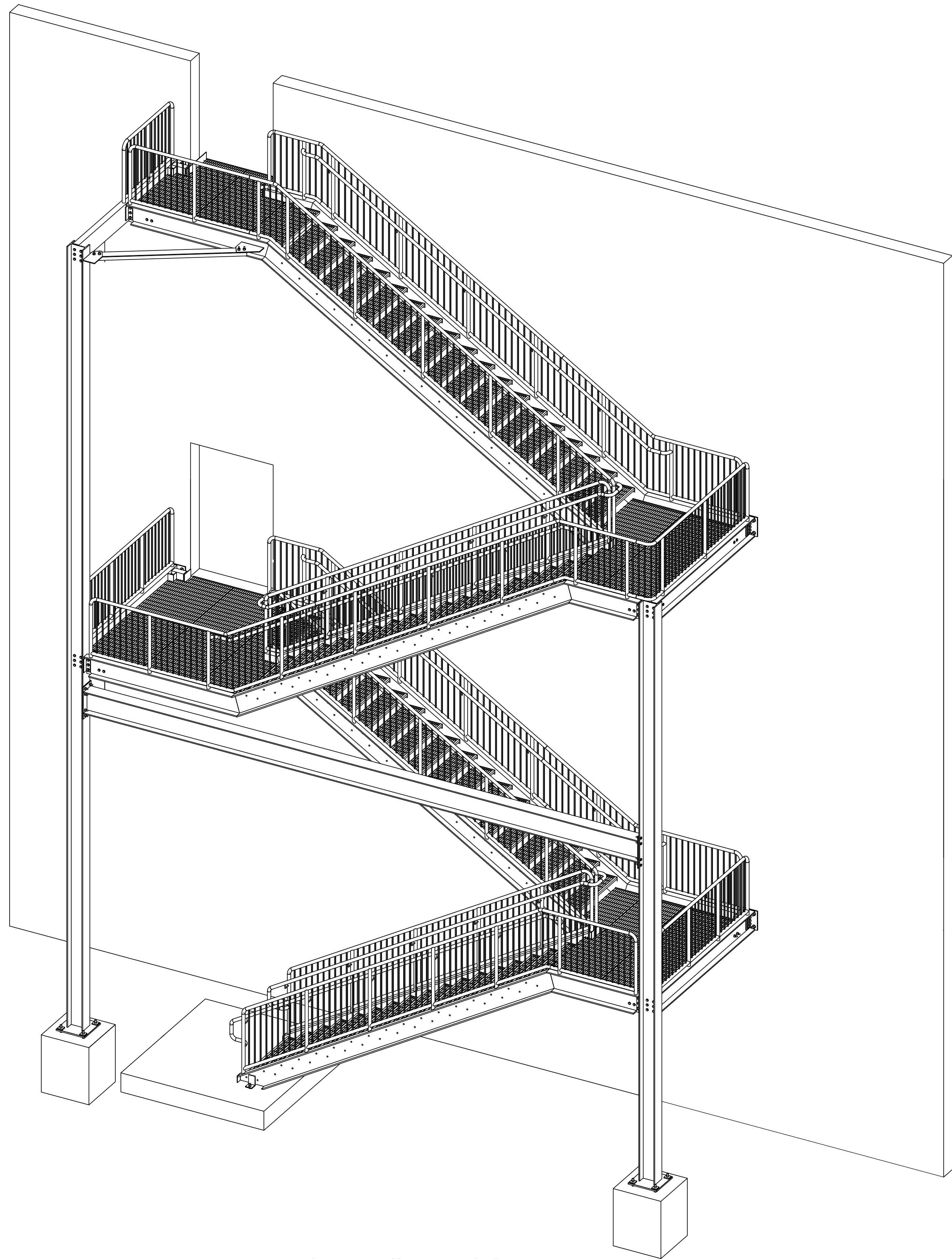


6 SECTION VIEW
E5 (REF: 9/S401)

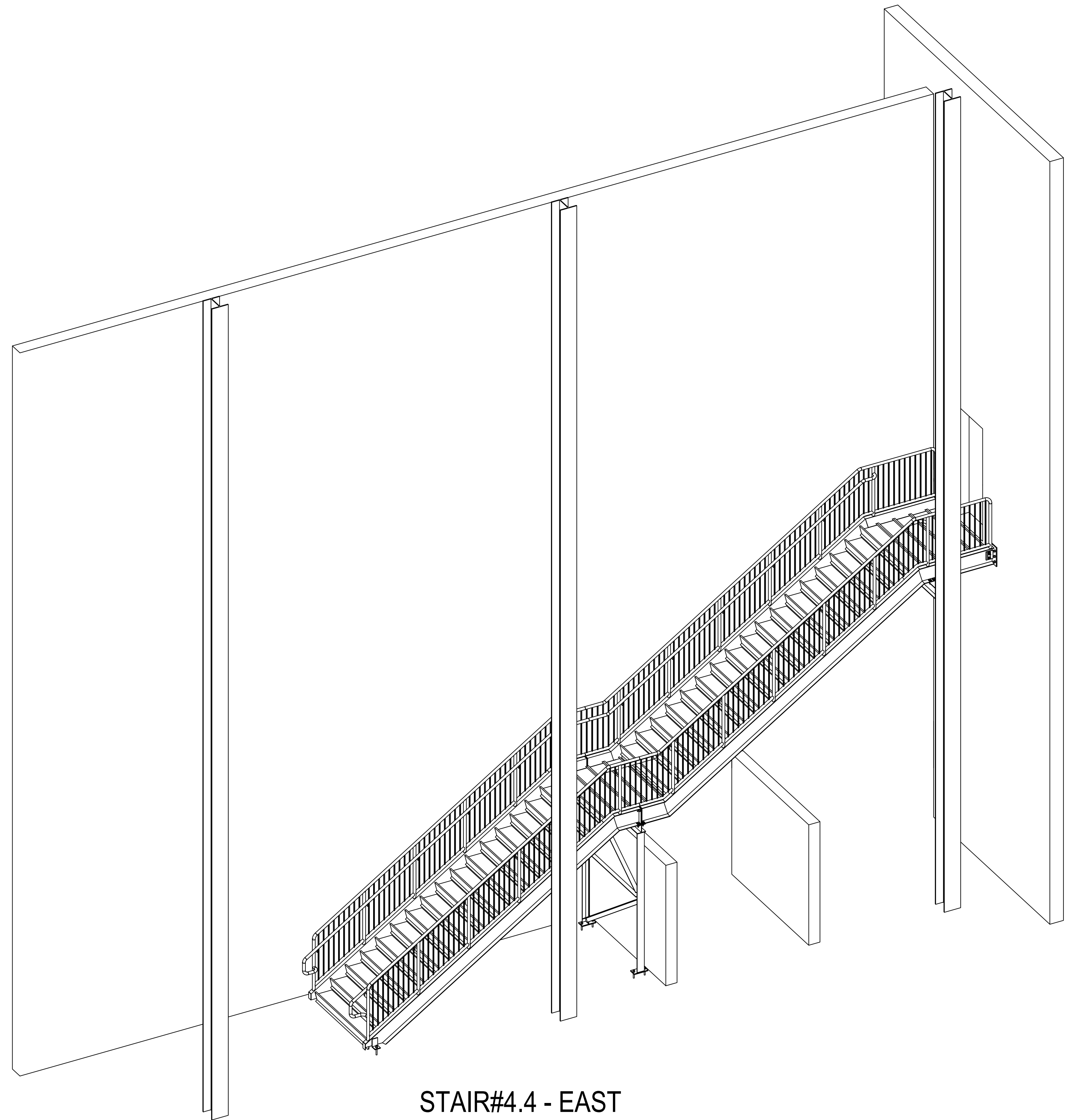
REV	DATE	DESCRIPTION

SAMPLE DRAWING

SHOP NOTES		PROJECT:		
ELECTRODE: E70XX UNO		CUSTOMER:		
CLEANING: SSPC- SP3		TITLE: SECTION DETAIL		
PAINT: ONE SHOP COAT OF RED OXIDE PAINT		DRAWN: HBP	JOB NO:	SHEET: REV.
E DWG. REF. :		DATE: 01-17-2025	----	E5 A
		CHECKED: RKM		
		DATE: 01-17-2025		

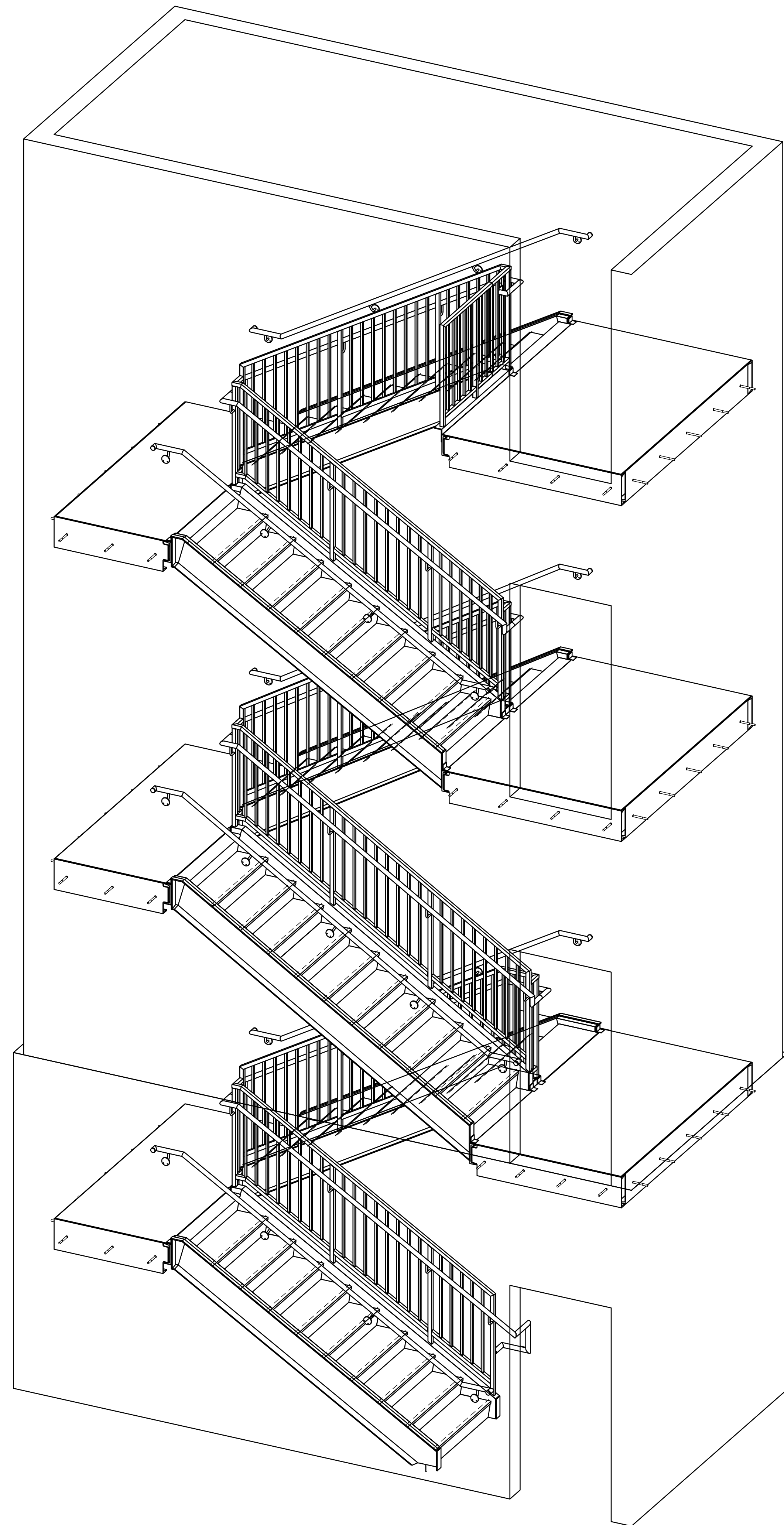


STAIR#4.5 - SOUTH



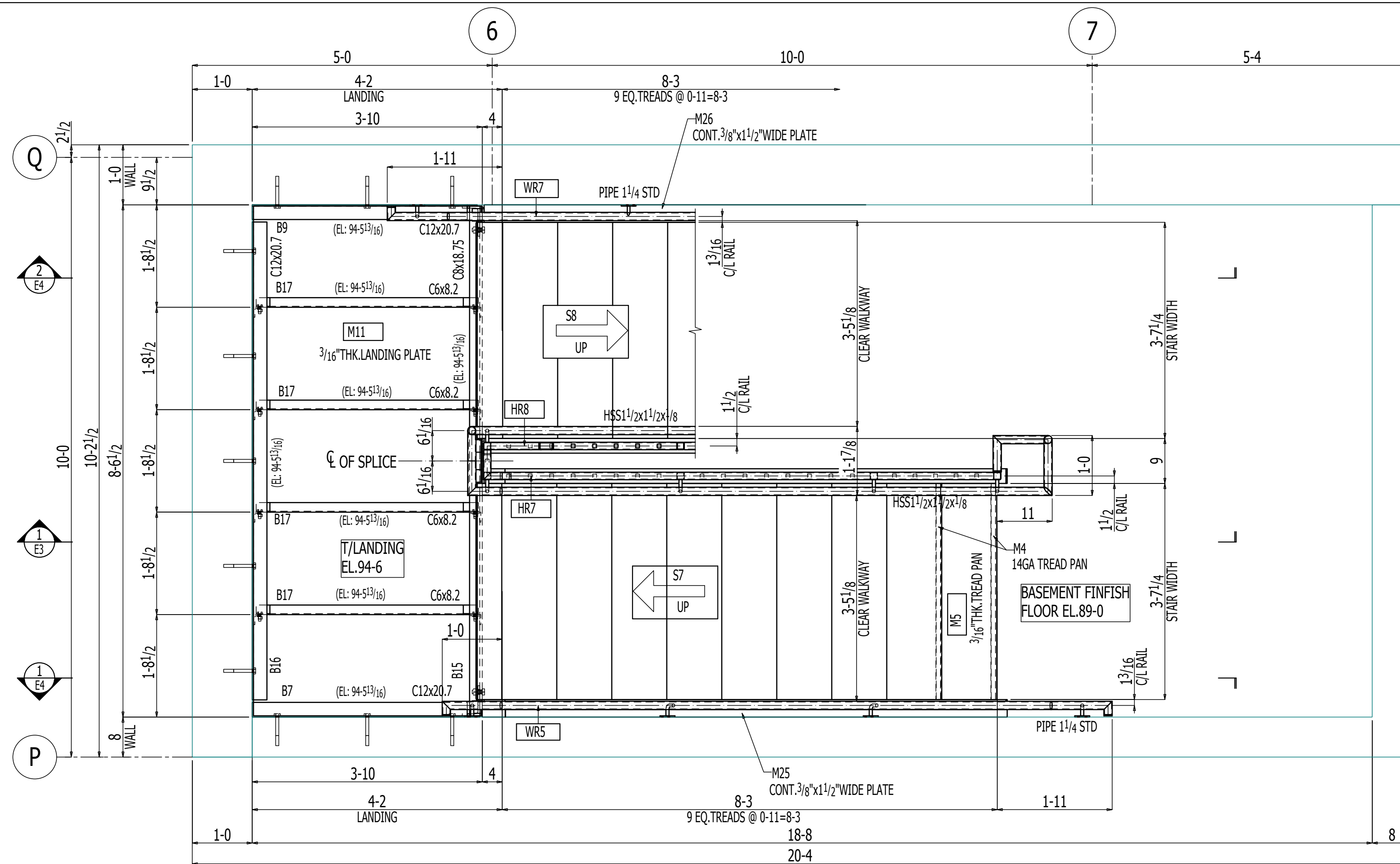
STAIR#4.4 - EAST

REVISIONS			PROJECT:		SAMPLE DRAWING
NO	DATE	BY	LOCATION:		
			ARCH:		
			PURCHASER:		
			ITEM NO.	DESCRIPTION	
			1		
DATE					SHOP PAINT:
PRINTS					DRAWN BY:
FOR					DATE:
					CHKD. BY:
					APPROVED:
					JOB NO.
					SHEET NO. --



ISOMETRIC VIEW

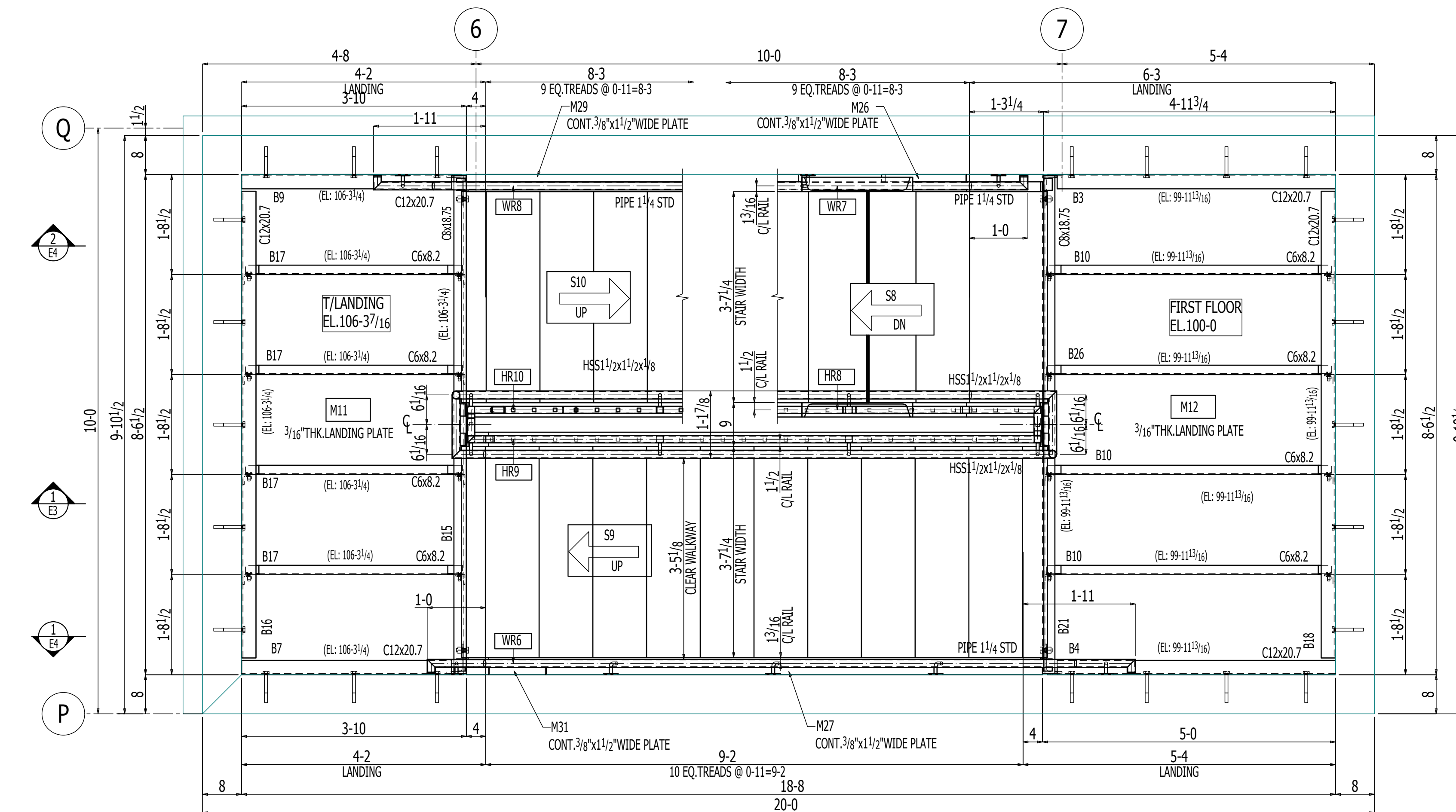
REV	DESCRIPTION	DATE
SAMPLE DRAWING		
DESCRIPTION		
PROJECT NAME		
DRAWN BY	JOB No. ----	DRG No.
DATE DRAWN		



BASEMENT FLOOR NORTH STAIR FRAMING PLAN

NOTES:-
1. T.O.STEEL EL: NOTED ON PLAN (U.N.O).

(REF : E/A5.3)

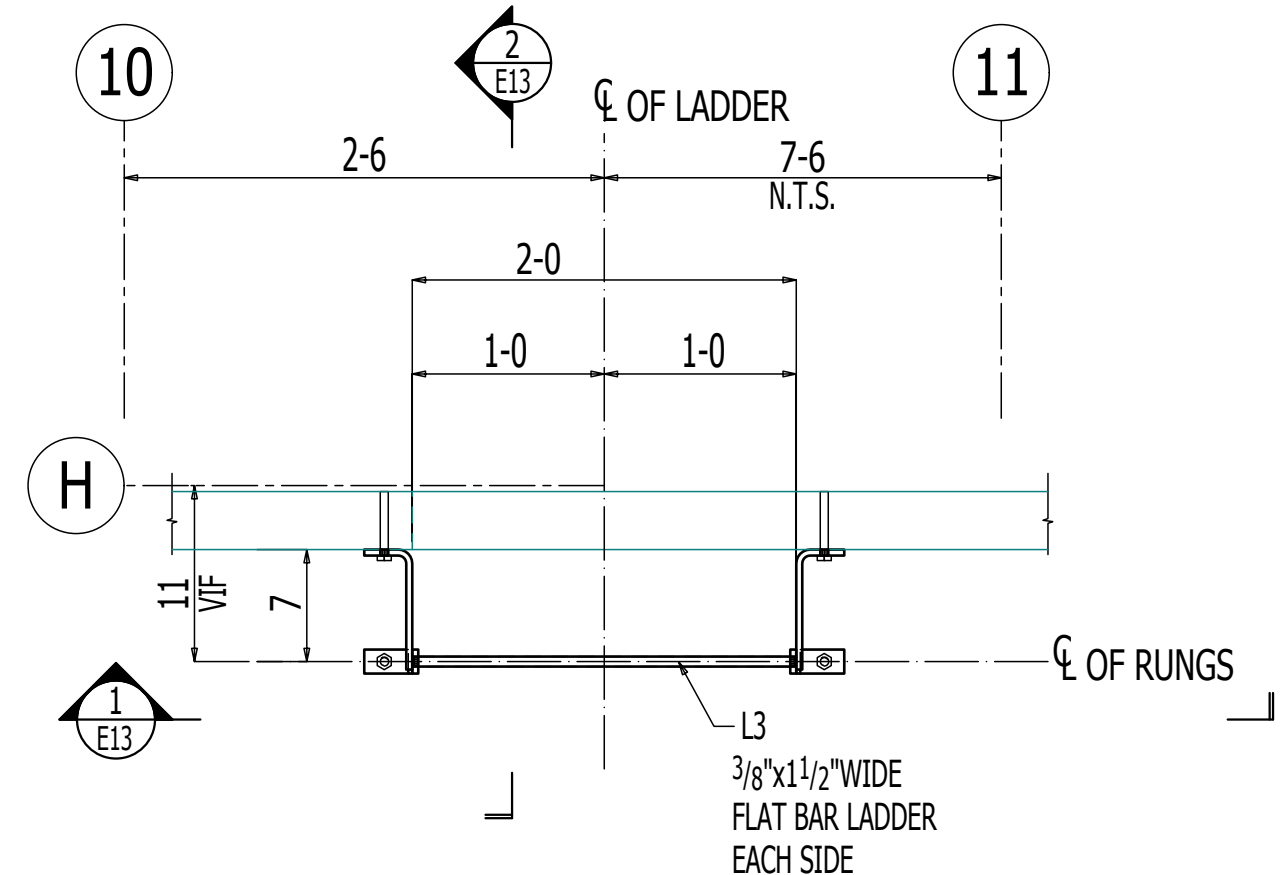


FIRST FLOOR NORTH STAIR FRAMING PLAN

NOTES:-
1. T.O.STEEL EL: NOTED ON PLAN (U.N.O).

(REF : B/A5.3)

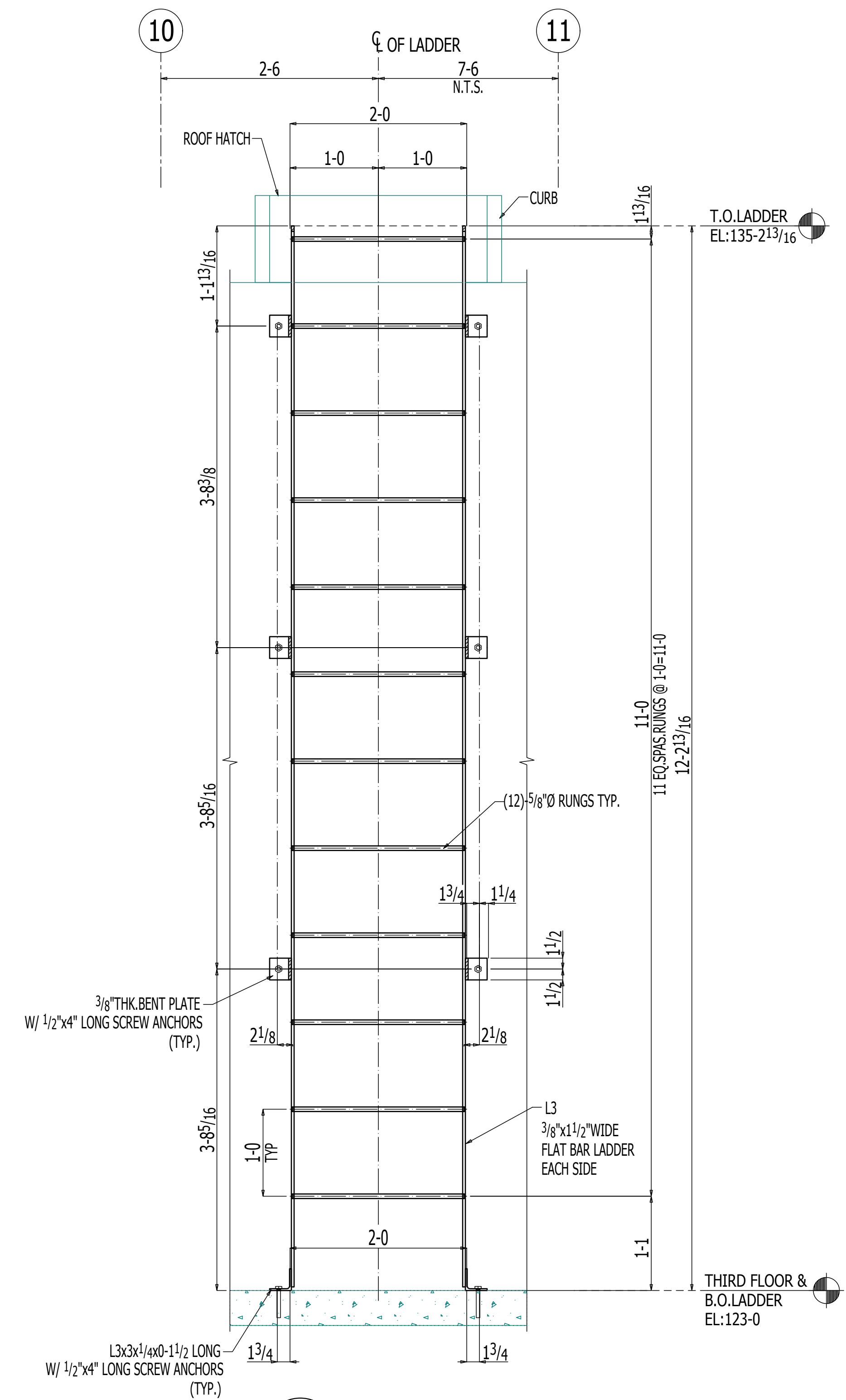
REV	DESCRIPTION	DATE
SAMPLE DRAWING		
DESCRIPTION		
PROJECT NAME		
DRAWN BY		JOB No. ---- DRG No.
DATE DRAWN		



ROOF ACCESS HATCH LADDER PLAN

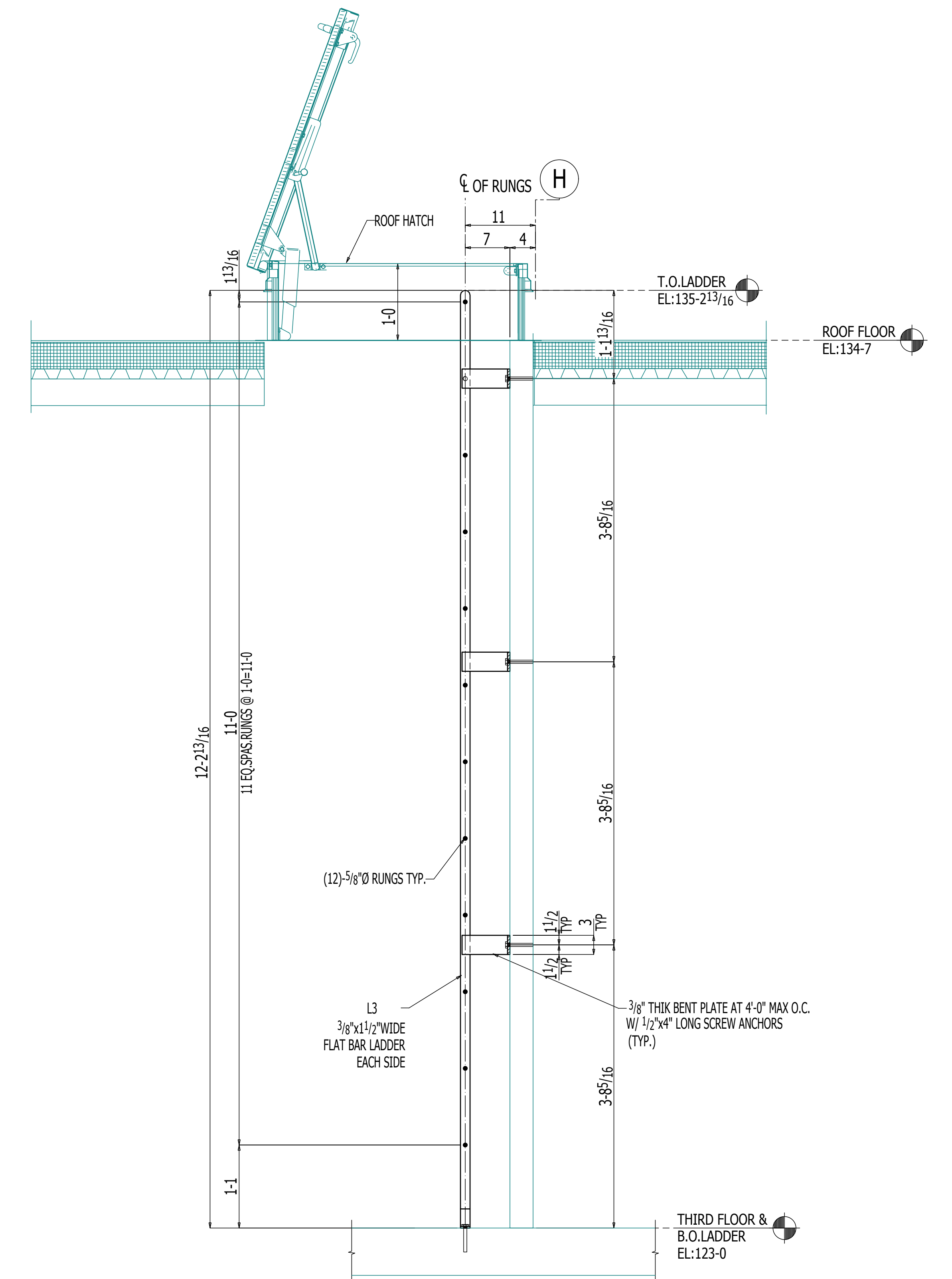
NOTES:-
 1. FOR SECTION VIEW REFER THIS SHEET.
 2. N.T.S.---INDICATES NOT TO SCALE.

(REF : A3/A1.3)



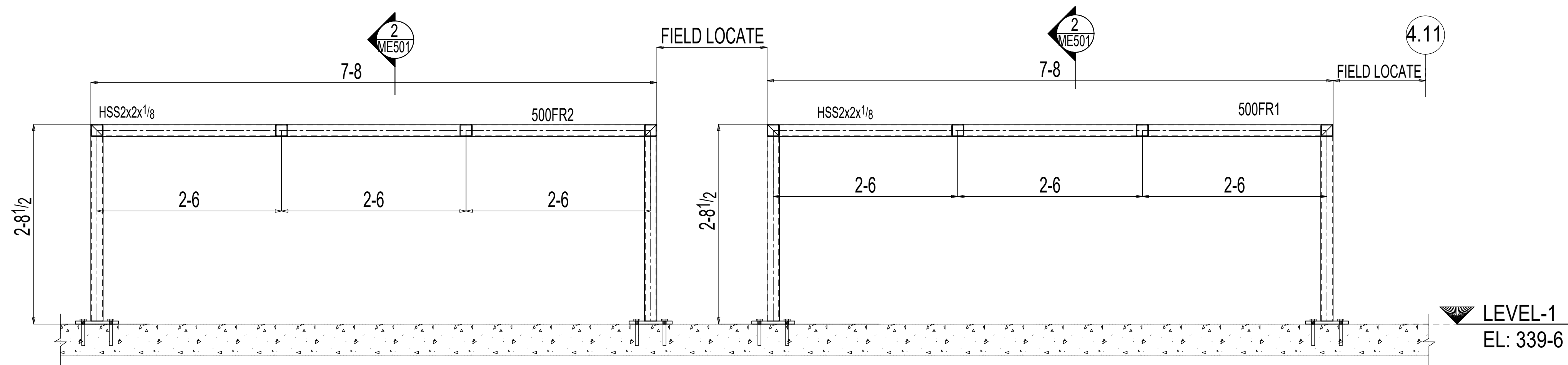
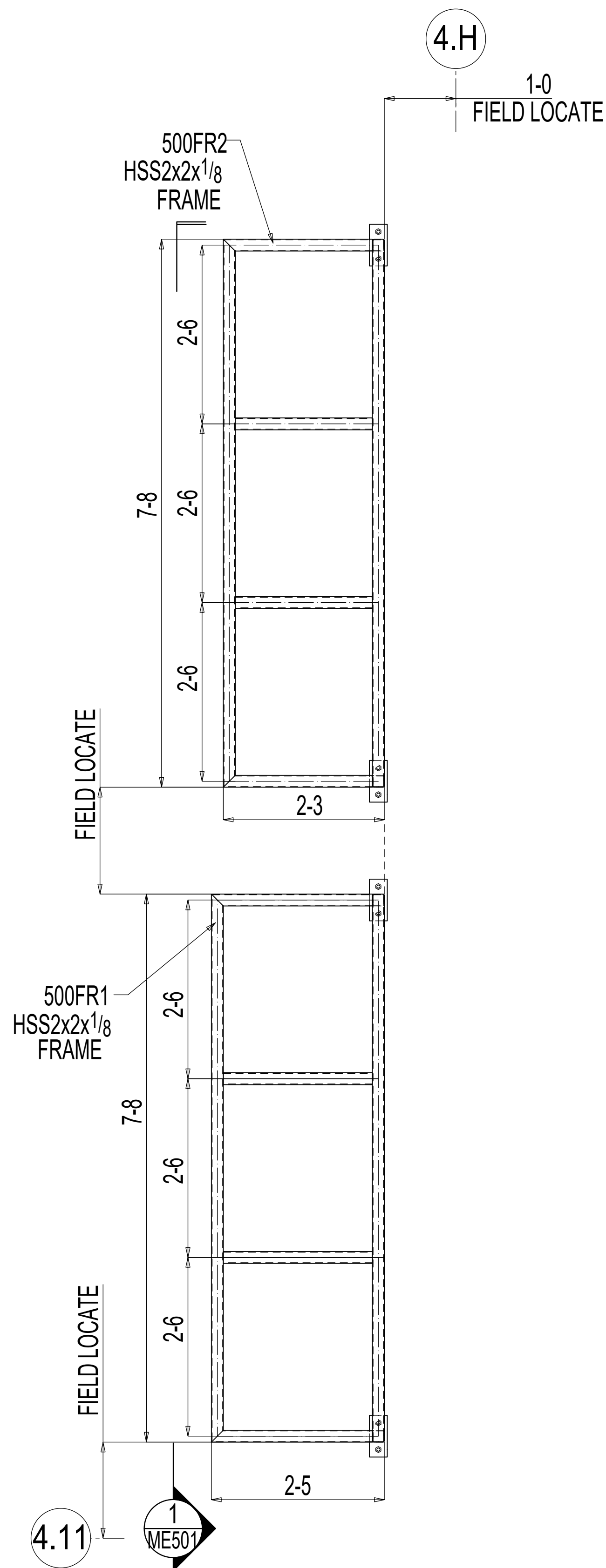
1 SECTION VIEW
 E13 (REF : 1/A6.1)

N.T.S.---INDICATES NOT TO SCALE.

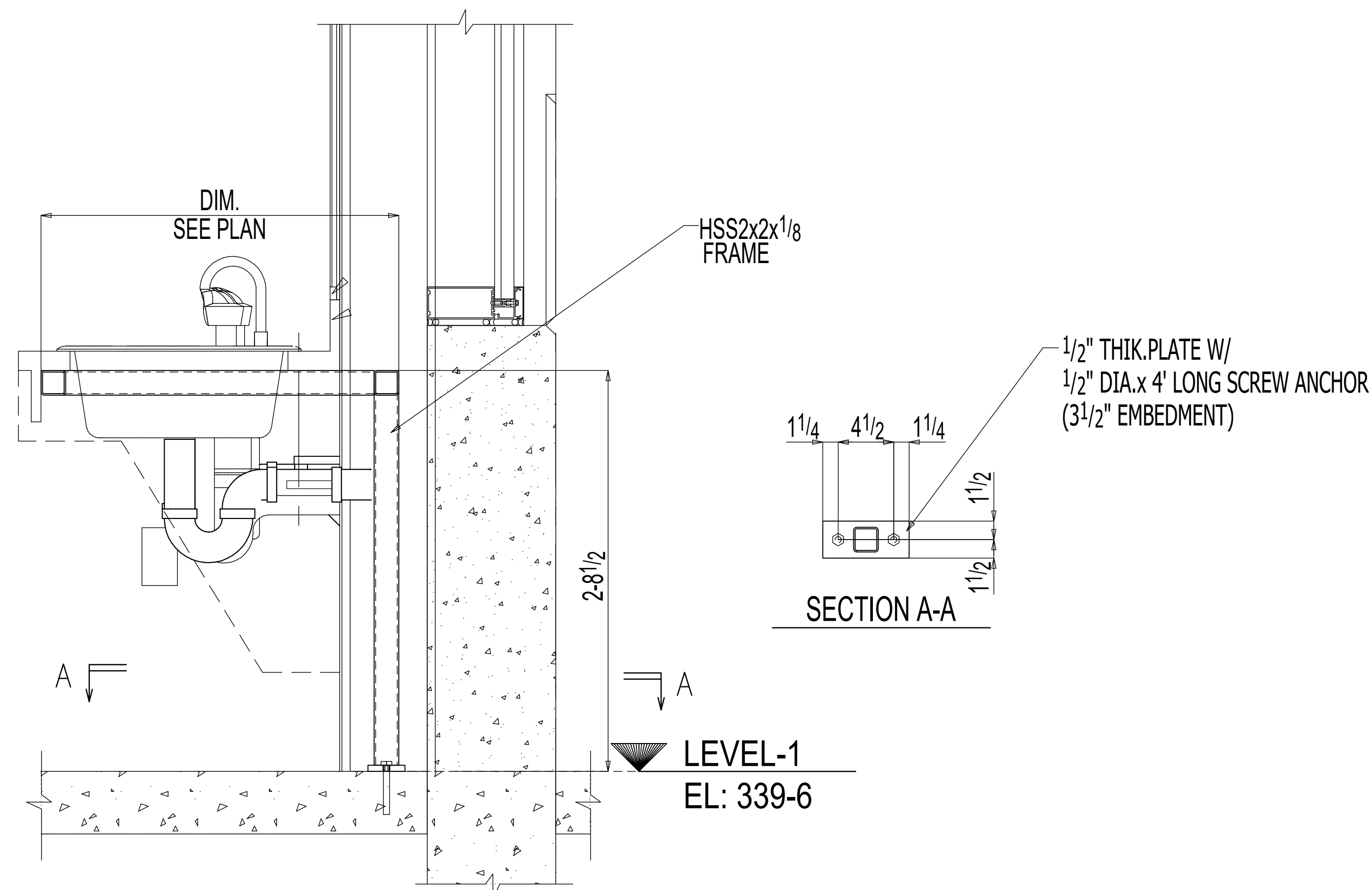


2 SECTION VIEW
 E13 (REF : 1/A6.1)

REV	DESCRIPTION	DATE
SAMPLE DRAWING		
DESCRIPTION		
PROJECT NAME		
DRAWN BY		JOB No. ---- DRG No.
DATE DRAWN		



1 ELEVATION VIEW
ME501



2 SECTION VIEW
ME501



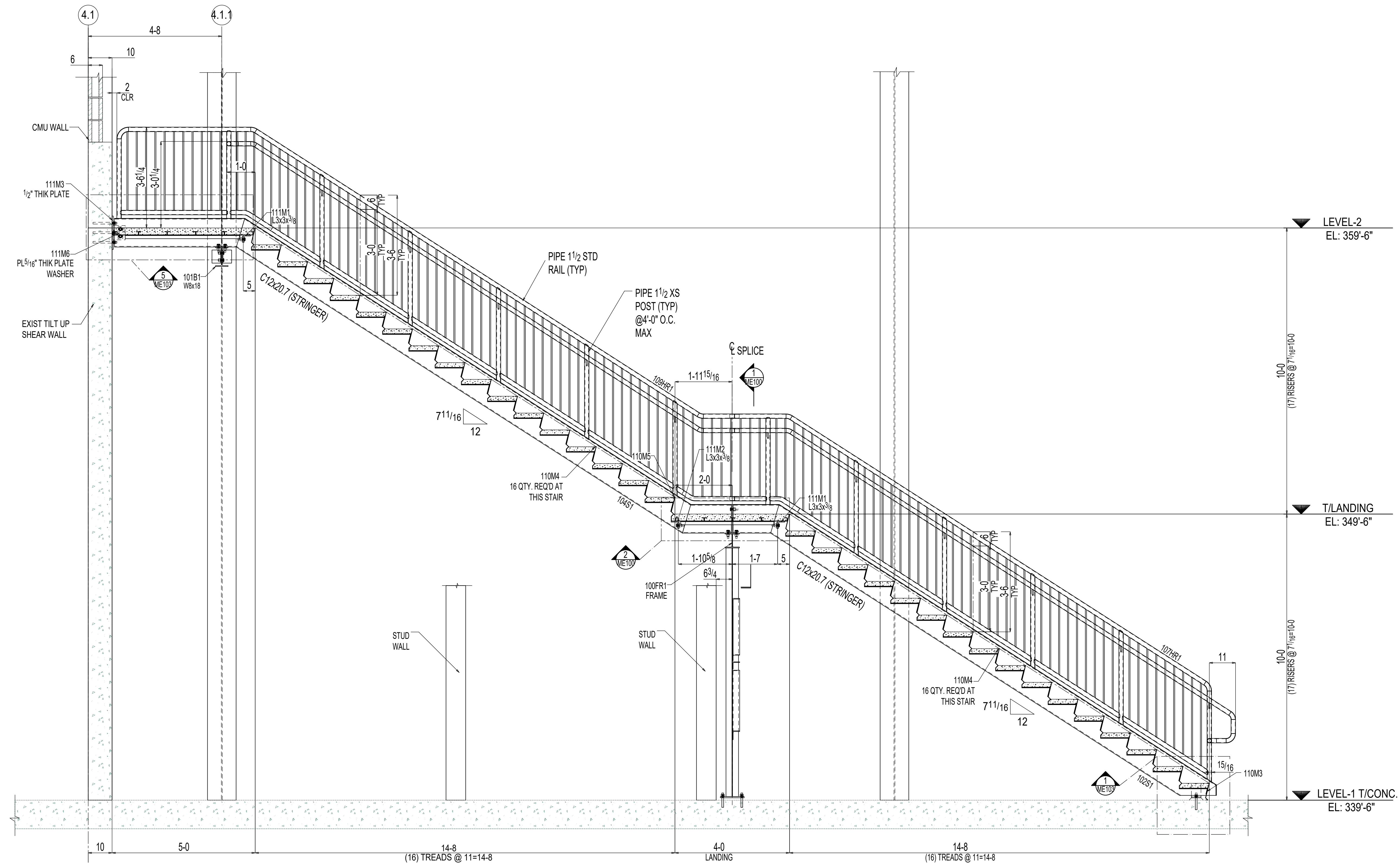
VANITY SUPPORT STEEL PLAN
(REF.DRG. RTP004-AI-00000114)

- NOTE:
 1) FOR ELEVATION VIEW REFER SAME SHEET.
 2) FOR SECTION VIEW REFER SAME SHEET.
 3) NTS-INDICATES NOT TO SCALE.

REVISIONS			PROJECT:	
NO	DATE	BY	LOCATION:	
			ARCH:	
			PURCHASER:	
			ITEM NO.	DESCRIPTION
			1	
DATE				
PRINTS				
FOR				
			SHOP PAINT:	
			DRAWN BY: DATE:	
			CHKD. BY: APPROVED:	
			JOB NO.	
			SHEET NO. --	

SAMPLE DRAWING



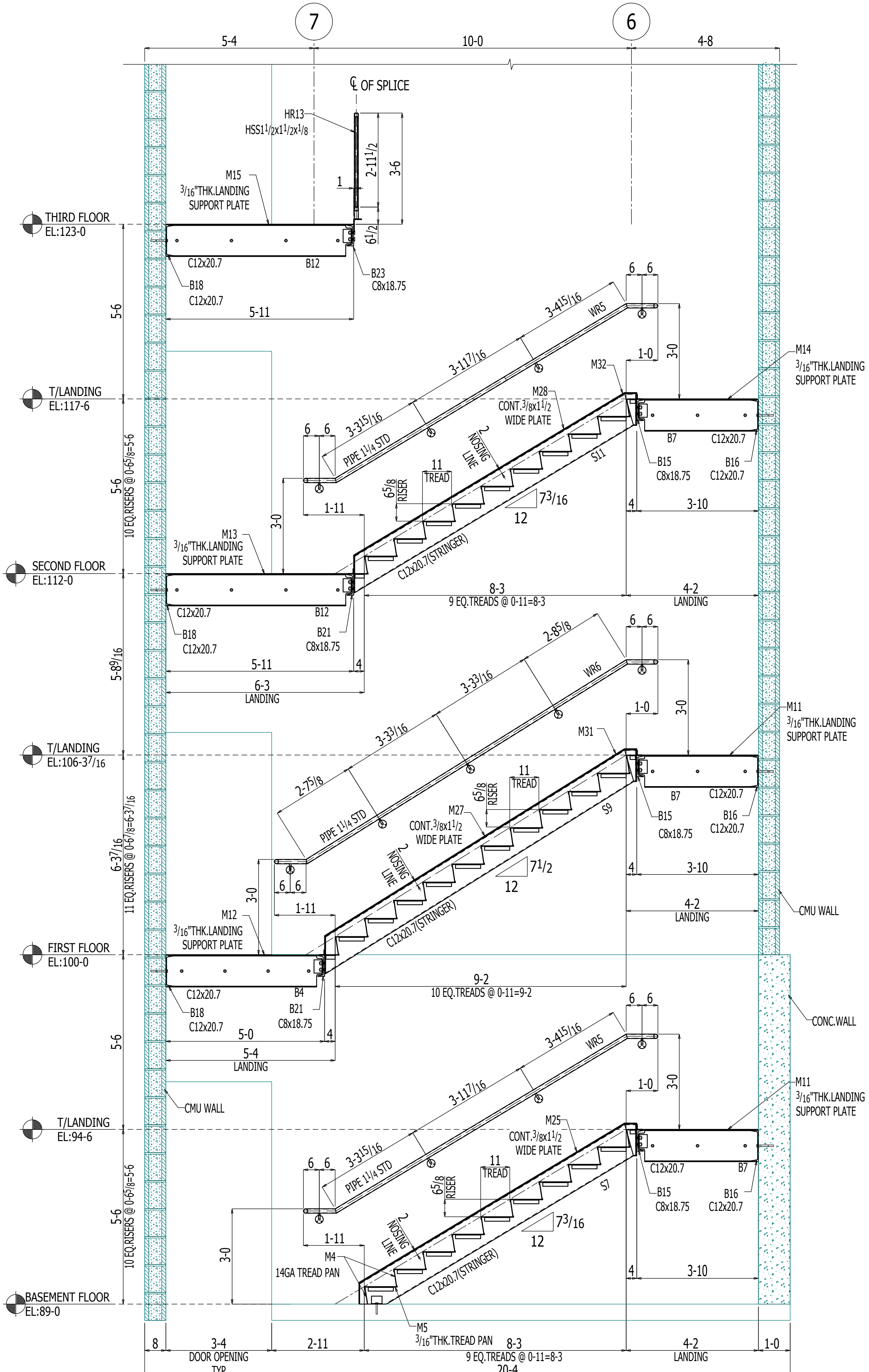


1 ELEVATION VIEW
ME102 REF: 1/RTP004-SF-09100482

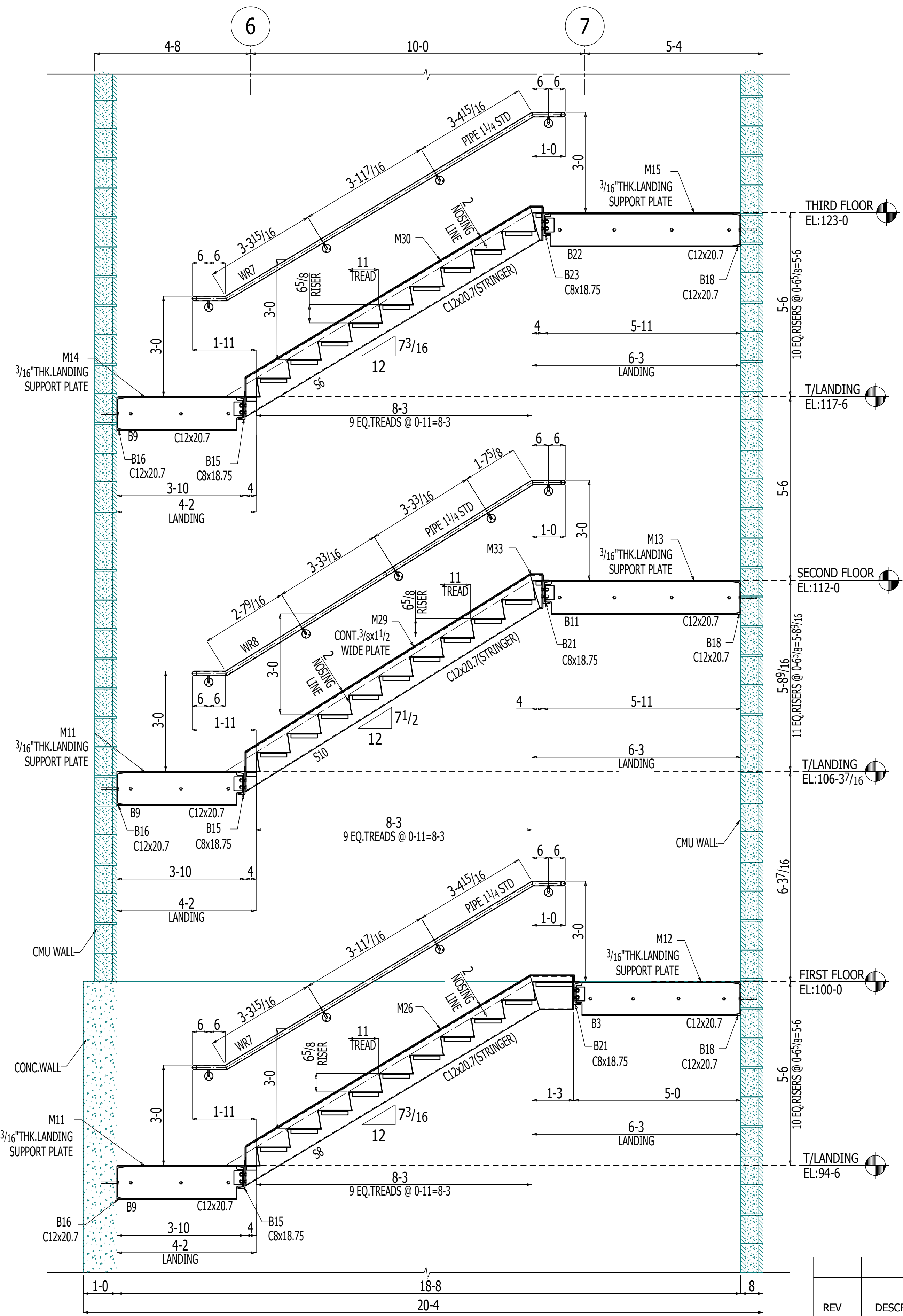
REVISIONS			PROJECT:	
NO	DATE	BY	LOCATION:	
			ARCH:	
			PURCHASER:	
			ITEM NO.	DESCRIPTION
			1	
DATE			SHOP PAINT:	
PRINTS			DRAWN BY: DATE:	
FOR			CHKD. BY: APPROVED:	
			JOB NO.	
			SHEET NO. --	

SAMPLE DRAWING





1 SECTION VIEW
E4

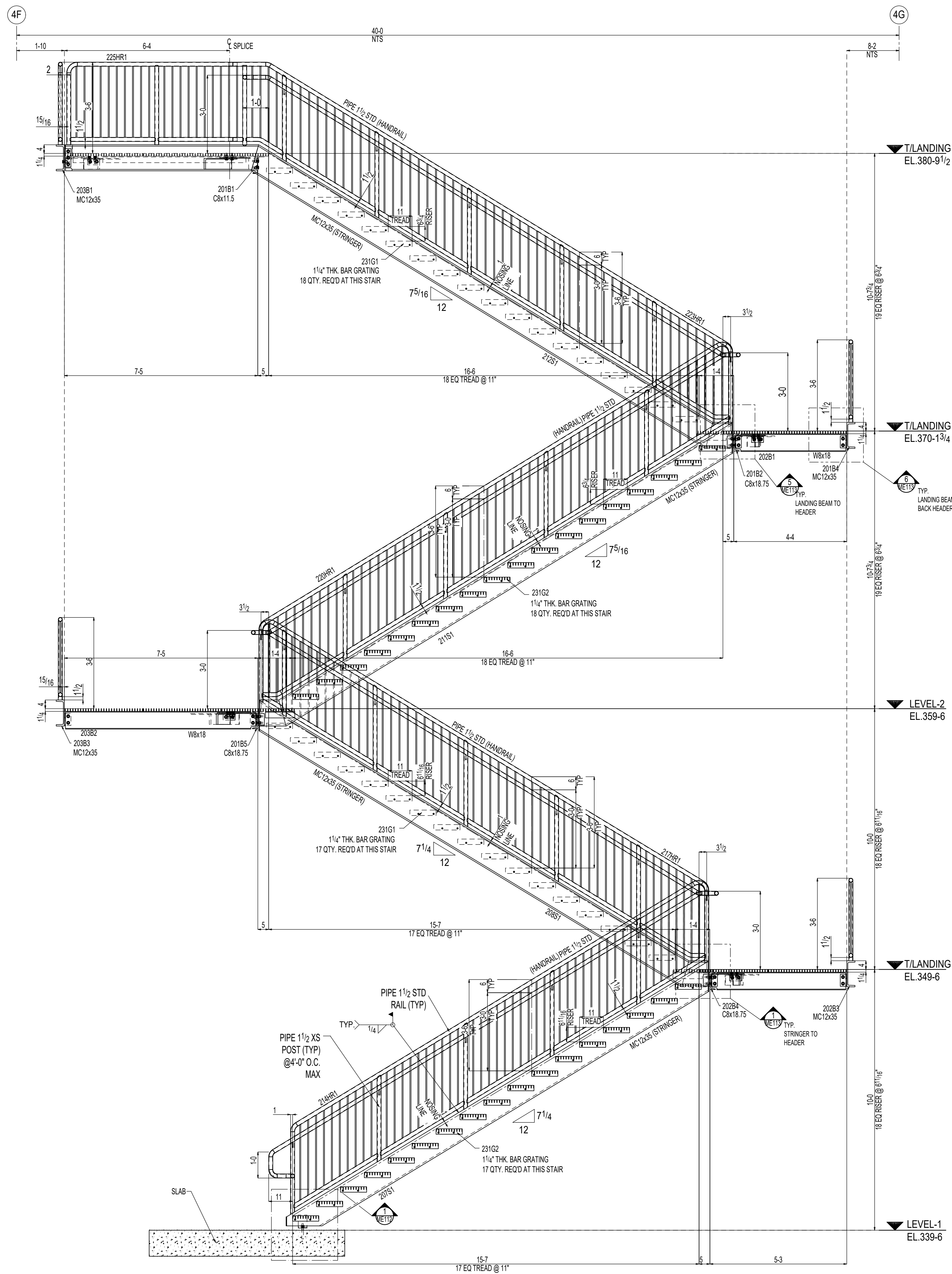


2 SECTION VIEW
E4

REV	DESCRIPTION	DATE

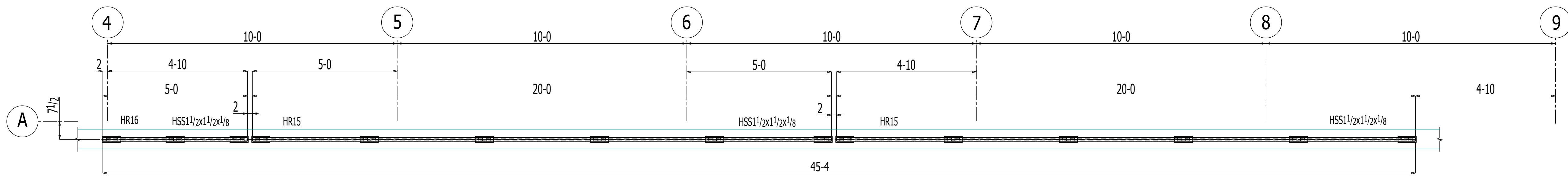
SAMPLE DRAWING

DESCRIPTION			
PROJECT NAME			
DRAWN BY		JOB No. ----	DRG No.
DATE DRAWN			



1 ELEVATION VIEW
ME109

REVISIONS			PROJECT:			SAMPLE DRAWING
NO	DATE	BY	LOCATION:			
			ARCH:			
			PURCHASER:			
			ITEM NO.	DESCRIPTION		
			1			
DATE			SHOP PAINT:			
PRINTS			DRAWN BY:			
FOR			CHKD. BY:			
			DATE:			
			APPROVED:			JOB NO.
			SHEET NO. ==			

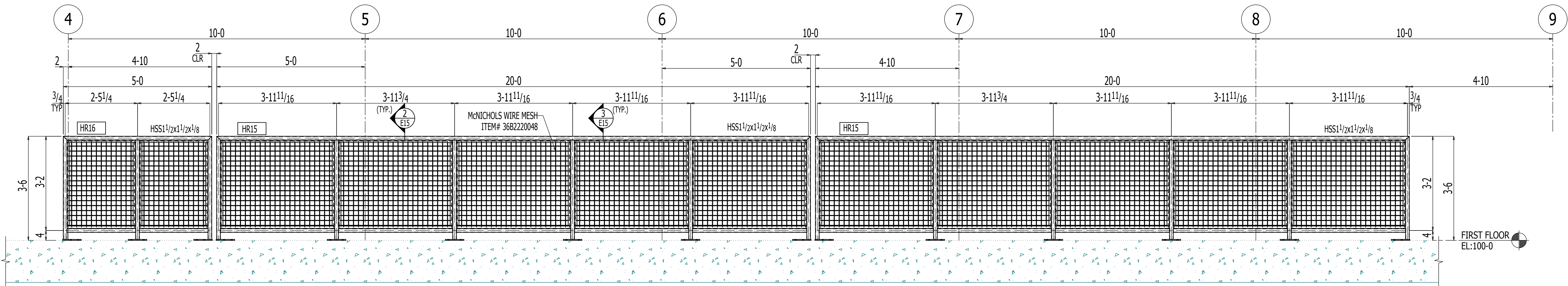


1
E16

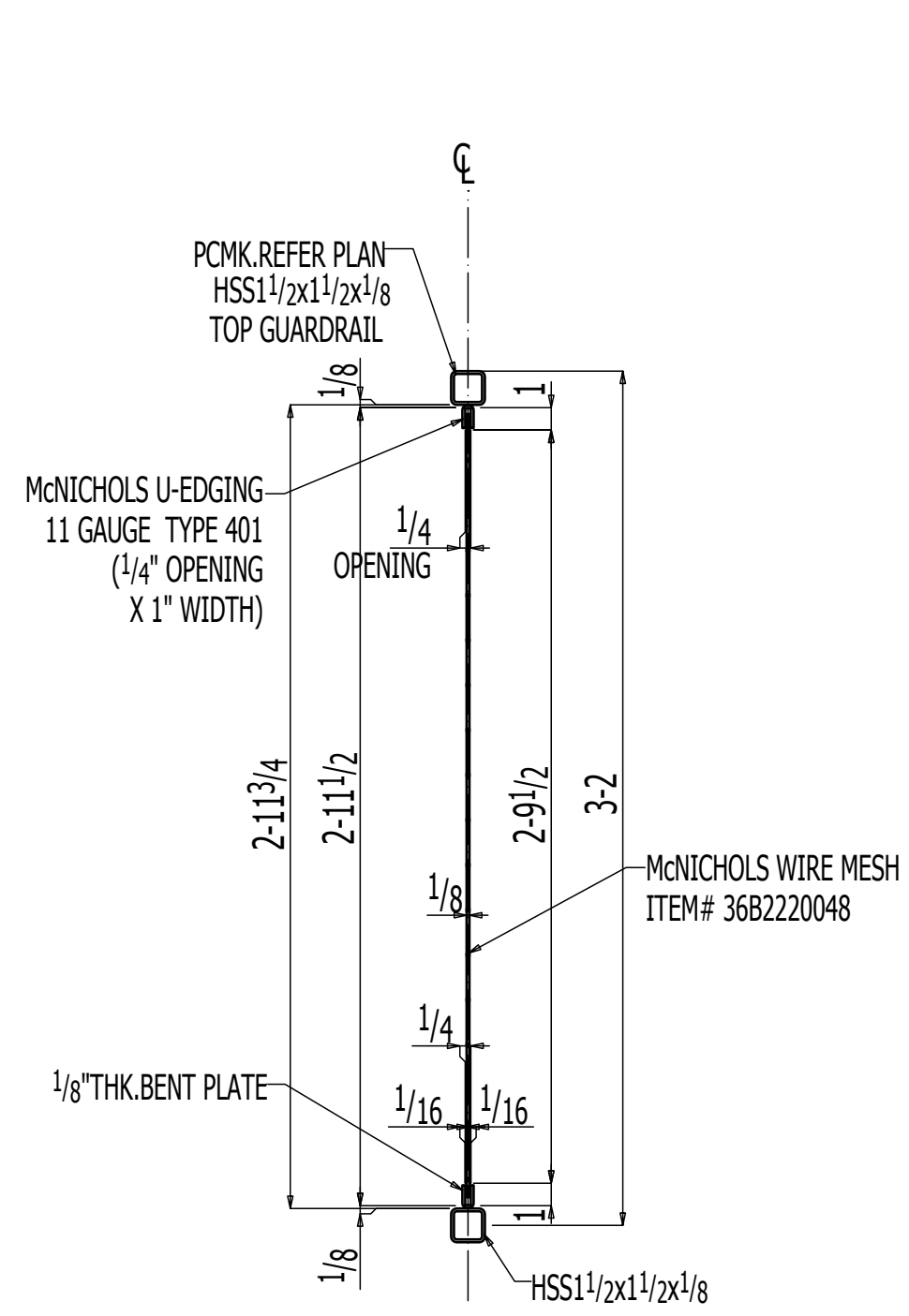
FIRST FLOOR GUARDRAIL MESH PLAN

NOTES:-
 1. FIRST FLOOR ELEVATION-100'-0" (U.N.O.)
 2. FOR SECTION VIEW REFER THIS SHEET.

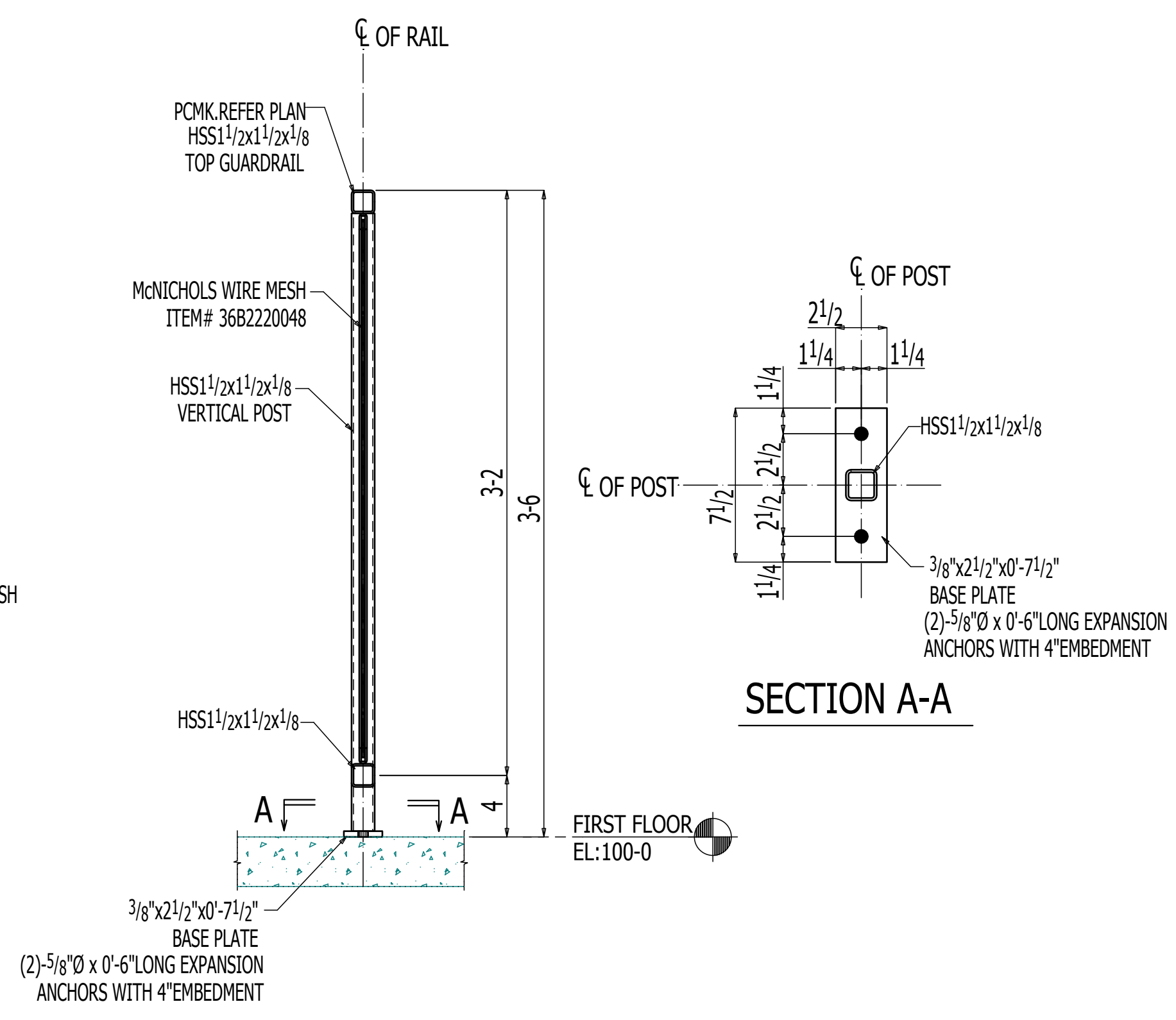
(REF : A/A3.2)



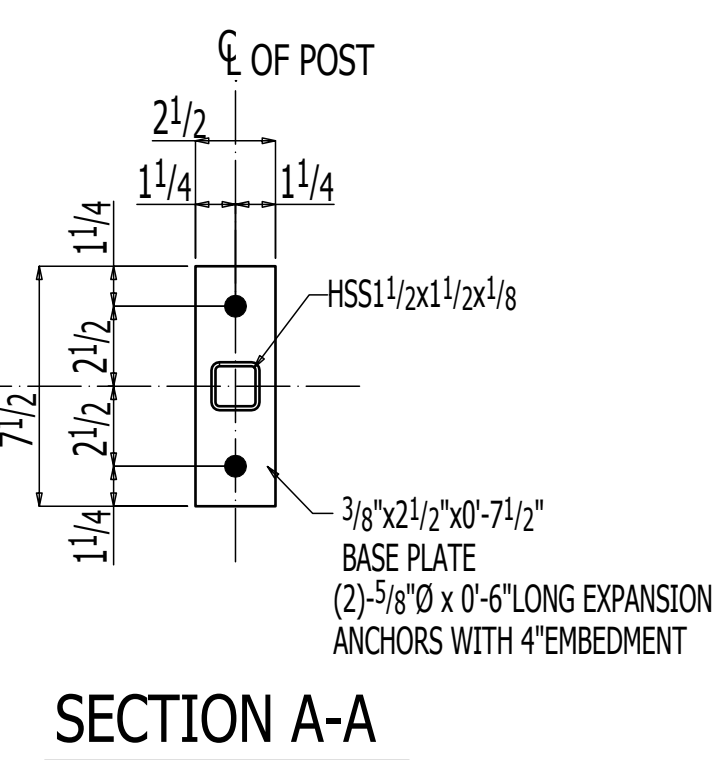
1 ELEVATION VIEW
E16 (REF : A3/A3.2)



2 SECTION VIEW
E16



3 SECTION VIEW
E16



SECTION A-A

REV	DESCRIPTION	DATE
SAMPLE DRAWING		
DESCRIPTION		
PROJECT NAME		
DRAWN BY		JOB No. ---- DRG No.
DATE DRAWN		

