



2025 COLLECTION

The window to innovation



Viewmax makes spaces more elegant, more comfortable, more functional.

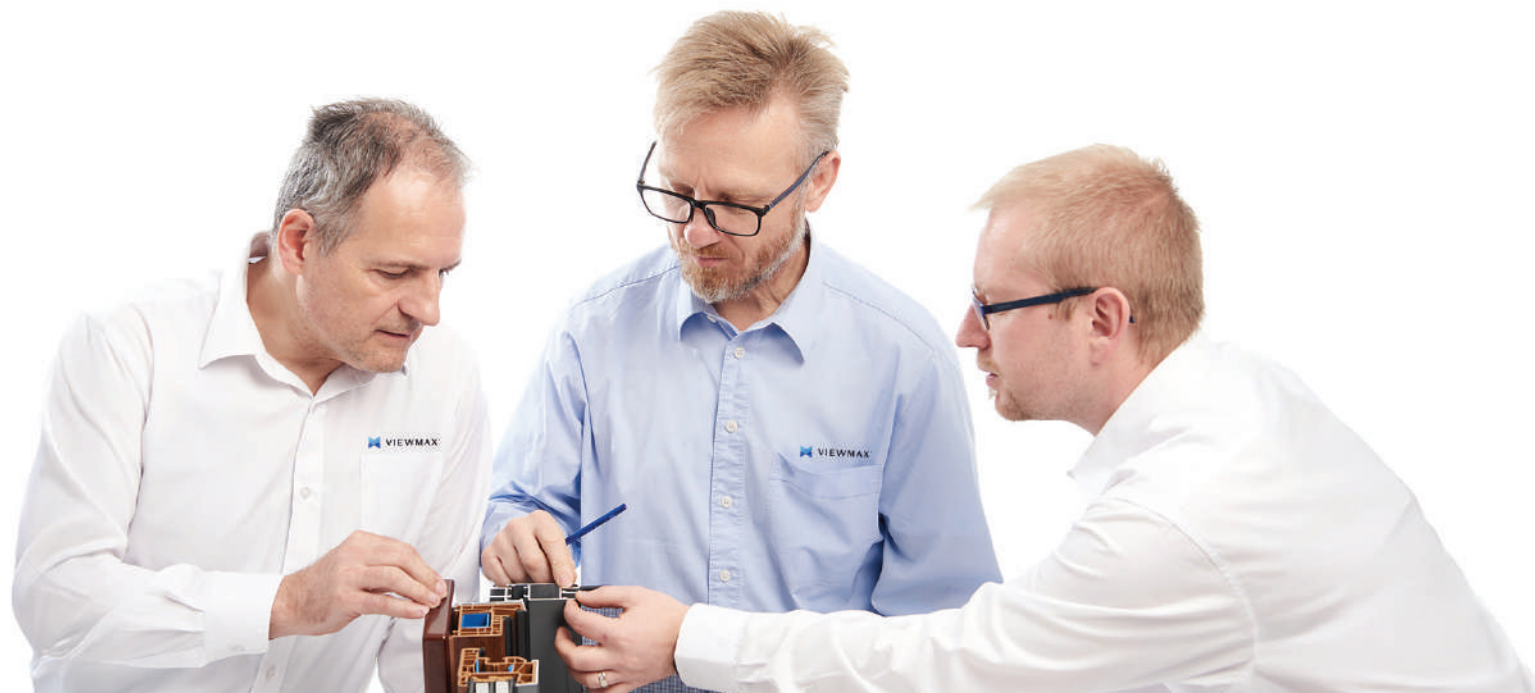
Viewmax windows and doors are designed to enhance every space, whether that's your home, your cottage, or your place of business. Everything we produce is manufactured to the highest possible quality standards and all of our products are fully customizable. From custom colours to sizes and shapes, we pride ourselves on our ability to engineer solutions to non-standard architectural designs. With the

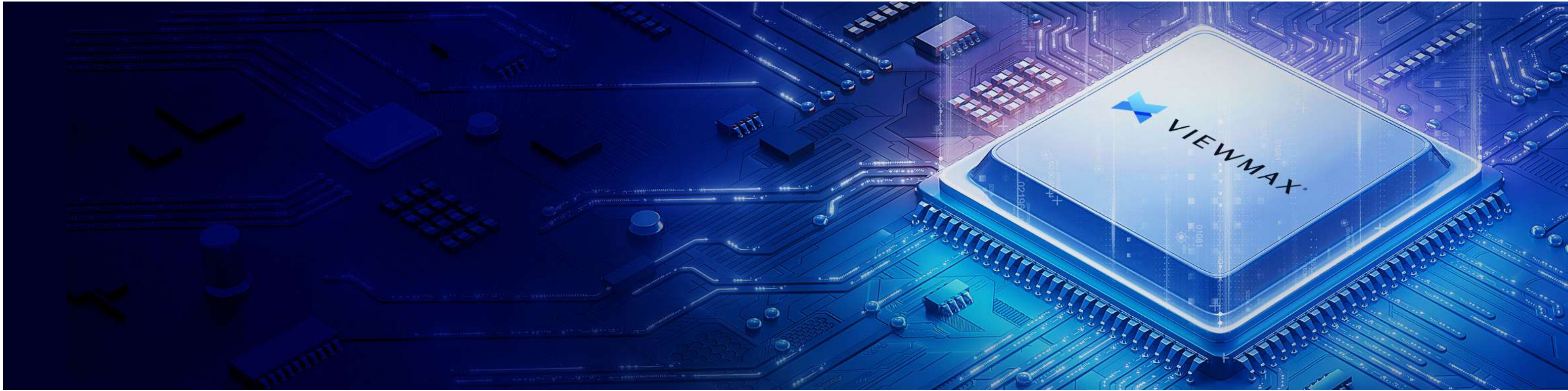
functional sophistication of Viewmax, you never need to compromise on appearance, security, or performance. Dedicated to crafting extraordinary windows and doors, Viewmax is setting a new standard in quality and design. With a mission to educate the market and be sought out by name, we aim to be recognized globally as the benchmark for innovation, performance, and craftsmanship.



The future of windows and doors.

Inside our state-of-the-art factory, innovation meets craftsmanship. As a national leader in energy-efficient doors and windows, Viewmax leverages cutting-edge technology, intelligent robotics, and advanced manufacturing processes to set new quality standards. With multiple patents and a commitment to sustainability, we deliver solutions that combine precision, performance, and style—creating added value for our customers and elevating the industry as a whole.





Engineering excellence, redefining standards.

- Viewmax redefines manufacturing by combining cutting-edge automation, robotic intelligence, and advanced production processes to set new industry benchmarks.
- From design to assembly, every step of the Viewmax manufacturing process integrates intelligent systems to enhance efficiency, innovation, and customer satisfaction.
- Our state-of-the-art production line utilizes industrial robots, high-precision digital equipment, and a fully intelligent cloud platform to ensure accuracy, stability, and flexibility in executing complex tasks like precision cutting and grooving.
- With optimized processes and consistent quality, Viewmax delivers high-performing, durable products that align with modern needs and elevate industry standards.



Setting the New Standard



Pioneering Innovation

At Viewmax, cutting-edge technology meets precision craftsmanship, redefining industry standards with intelligent design and superior quality.



Energy Efficiency

Our products save energy and protect the planet, backed by global certifications like Energy Star & Passive House to support eco-conscious living & sustainable practices.



Customized Solutions

From tailored designs to performance-driven features, Viewmax offers flexibility and personalization to create windows & doors that perfectly suit your vision and style.



Globally Recognized Excellence

Backed by certifications like NAFS, CSA, and CE, our products are trusted worldwide for their durability, reliability, and adherence to the highest standards.



Customer-Centered Design

Every Viewmax solution is designed with you in mind—delivering exceptional performance, style, and long-term satisfaction.



A Brand That Inspires

Viewmax represents more than just windows and doors—it's a promise of quality, innovation, and trust that elevates every space.

Safety



Securely anchored with robust multi-point locking mechanisms and heavy-duty industrial hinges for enhanced strength and stability. Built with a thick, durable frame and sash reinforced with steel, these structures provide exceptional resilience against impact. High resilient glass offers unmatched security, resisting penetration and remaining intact even under force, as it does not shatter.

Sound Cancellation



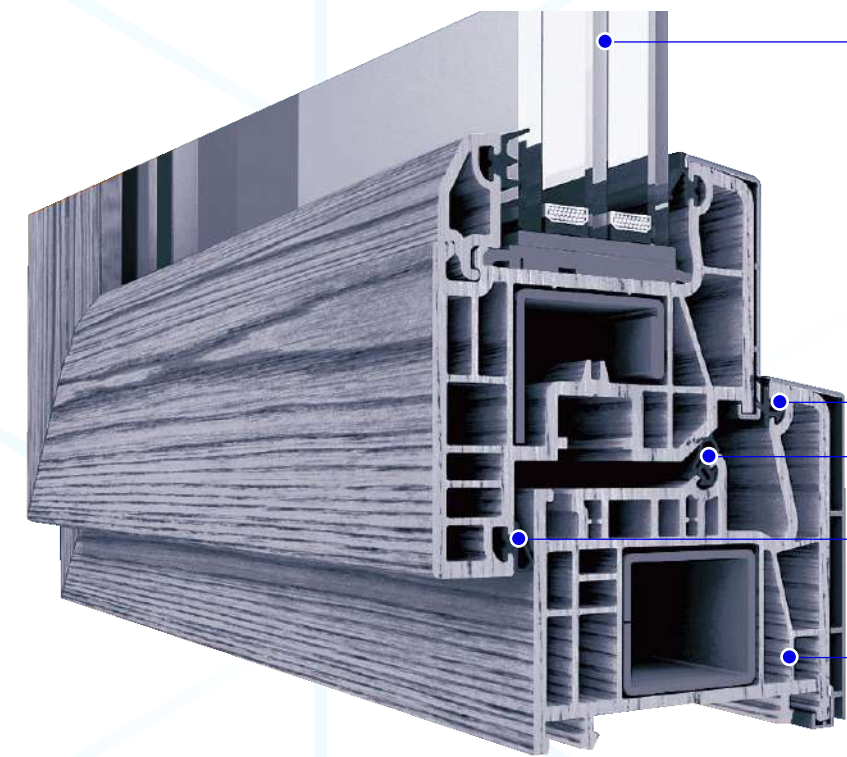
Viewmax soundproof windows feature advanced sealing strips with triple the performance of standard rubber, offering superior noise isolation, weather resistance, and durability. Our four-layer laminated glass, and insulating edge technology ensure a quieter, more comfortable interior environment.

Thermal Efficiency



Our triple-layer sealing points with TPE seals ensure a tight, durable seal that minimizes air leakage. Multiple chambers in our profile system enhance insulation by reducing heat transfer. A 95% Argon gas fill further improves thermal performance by reducing heat loss. Low-E coating reflects heat back into the room while allowing natural light to pass through, maximizing energy efficiency.

Engineered for the perfect balance of silence, comfort, and security.



Multi-Layered Tempered Glass.

Improved security and enhanced soundproofing for safer and quieter living.

Three High-Quality Sealing Strip Design.

Triple-layer sealing for optimal insulation and noise blocking.

Innovative Honeycomb Structure.

Unique honeycomb design for improved strength and acoustic performance.

SILENT
THERMAL
DURABLE
ELEGANT
PANORAMIC
SECURE
HYBRID
EFFICIENT
COMFORT
ACOUSTIC

 SERIES

E3

Highly efficient
energy-saving silent system

M SERIES E3

Hybrid profiles with advanced thermal insulation

The E3 silent window line combines high-quality materials, innovative design and precision manufacturing to deliver the very best performance possible. The careful balance of steel, aluminum and vinyl combined with up to four layers of high-performance glass come together to form windows that are not only elegant but also offer exceptional acoustic and thermal comfort. Beautiful panoramic architectural ideals are achieved while taking advantage of energy-saving performance.

Features

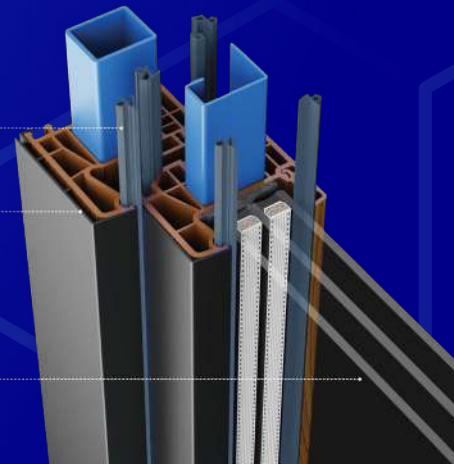
- Unique 5-chamber hybrid profile, for maximum thermal insulation.
- 360-degree wrap-around locks secure the sash and block noise.
- Three high performance TPE/EPDM seals for acoustic and thermal insulation.
- HFL right-angle welding technology for new and creative designs.
- The integral steel frame creates an incredibly strong window assembly.
- Chrome-free powder coating & hot-applied films ensure a durable, elegant finish. Energy Star certified as The Most Efficient windows.
- High thermal performance of U Value = 0.97-1.56 W/(m²·K).



EPDM sealant strip.

Improved corrosion resistance, flame retardancy, thermal insulation and noise reduction.

Three-layer glass + hollow sound insulation layer design, effectively reduces noise transmission. Laminated to increase safety and noise reduction.



Programmable processing



Three-layer TPE sealing strip



Energy-efficient multi-layer insulated glass



Aluminum cladding



HFL right-angle welding process



Inert gas filling

**PASSIVE
NET-ZERO
EFFICIENT
THERMAL
DURABLE
QUIET
CERTIFIED
SECURE
ACOUSTIC**



X SERIES

P2

Net-zero & passive house
window system

VIEWMAX SERIES P2

Net-zero & passive house window system

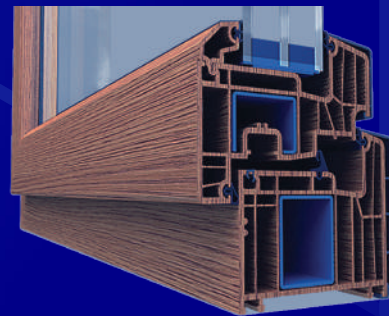
Passive House Certified: P2 Windows are engineered to meet the stringent standards of Passive House certification, ensuring top-tier energy efficiency and comfort for your home or building. P2 Windows provide outstanding thermal insulation, reducing energy costs significantly. This profile system excels in air and water tightness and significantly reduces external noise, creating a quieter, more serene living or working space.

Safe, energy-efficient, and acoustically optimized, P2 Windows offer a blend of performance and style, making them an ideal choice for modern homes and buildings.

Experience the ultimate in comfort, safety, and efficiency with P2 Windows.

Features

- Unique 7-chamber, hybrid profile, designed for a maximum thermal seal and insulation.
- 360-degree wrap around lock points anchor the door sash securely.
- Three independent high performance TPE seals for acoustic and thermal insulation.
- HFL right-angle welding technology allows for new and creative designs.
- The integral steel frame creates an incredibly strong window assembly.
- Latest chrome-free powder coating technology and hot-applied films create a more durable and beautiful finish.
- High thermal performance of U value = 0.91-0.97 W/(m²·K).
- Energy Star certified as The Most Efficient products.
- NAFS & CSA certified.



Programmable processing



Three-layer TPE sealing strip



Energy-efficient multi-layer insulated glass



Aluminum cladding



Multi-lock point hardware



Low-E radiation energy-efficient glass



HFL right-angle welding process



Inert gas filling

**CONTEMPORARY
SECURE
DURABLE
EFFICIENT
CERTIFIED
ADJUSTABLE
THERMAL
INNOVATIVE**

**SERIES
X2C**

Modern awnings
& casement windows

M SERIES X2C

Modern awning & casement windows

The Viewmax X2C aluminum cladding window system is designed for awning and casement windows and features crank hardware and outward opening. The advanced design and construction of this North America-specific X2C system presents numerous performance and profile advantages. The aluminum cladding with applied chrome-free powder coating technology and hot-applied films create a more durable and beautiful finish and provides maximum architectural adaptability.

Features

- The multi-point locking system is embedded in the window.
- Up to four layers of high-grade, noise-dampening thermal glass to keep your home quiet.
- Three independent high performance TPE seals for acoustic and thermal insulation.
- HFL right-angle welding technology allows for new styles and creative designs.
- The integral steel frame creates an incredibly strong window assembly.
- Latest chrome-free powder coating technology and hot-applied films create a more durable and beautiful finish.
- High thermal performance of U value = 1.27-1.56 W/(m²·K).



- Programmable processing
- Programmable glass spacer
- Automatic hot melt laminating
- Energy-efficient multi-layer insulated glass
- Aluminum cladding
- Three-layer TPE sealing strip
- Multi-lock point hardware
- Narrow frame & quick assembly
- Inert gas filling

**SLIM
THERMAL
INSULATED
DURABLE
EFFICIENT
SUSTAINABLE
SECURE
ELEGANT
INNOVATIVE
MODERN**

X SERIES

S98

Slim aluminum profiles with
advanced thermal insulation

M SERIES S98

Slim Aluminum Profiles with Advanced Thermal Insulation

Windows

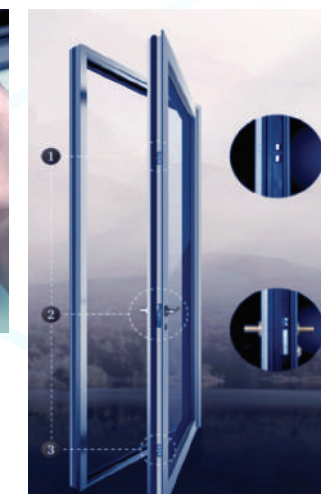
- Slim profiles and narrow widths for a sleek, modern look.
- Lightweight with exceptional durability and dimensional stability.
- Thermally broken aluminum profiles with a thermal bridge.
- Insulated glass with up to 5 panes, laminated and low-E, 95% argon filled.
- Warm, smooth "arc chamber edges" for safety and a seamless, clean look.
- Heavy-duty concealed hinges with 3D adjustability.
- 180-degree opening capability.
- Lever handle options.
- Profile thickness: 98mm.
- Durable, beautiful finish with powder coating for inside and outside colours.
- Triple TPE seals for superior thermal insulation.

Doors

- Thermally broken aluminum exterior doors.
- Strong & secure with multi-point MACO locks.
- Locks with burglar-proof cylinders.
- Beveled edge pressure line for a smaller, elegant look.
- Triple-layer sealing strips for superior insulation.
- Ideal for patios, balconies, and office garage doors.

Advantages

- Easy care and low maintenance.
- Lightweight aluminum with high strength and good corrosion resistance.
- Thermal breaks reduce heat loss for energy efficiency.
- Advanced glazing lowers energy and heating costs.
- Fully recyclable aluminum ensures sustainability.
- Special coating protects colour, design, and geometry from weather.
- Fused coating creates a durable, long-lasting protective layer.
- U value: 0.90 W/(m²·K).



Programmable processing



360 locking points system for maximum safety



Chrome free powder coating technology



Steel mesh insect screen with durable hardware locks



Three-layer TPE sealing strip



Energy-efficient multi-layer insulated glass



Aluminum cladding



HFL right-angle welding process



Inert gas filling

REVOLUTIONARY
SLIDING
SECURE
EFFICIENT
DURABLE
AVIATION-GRADE
SEALED
CERTIFIED
SAFE
PRECISION

 SERIE 3

SS2

Cutting edge technology
for the sliding system

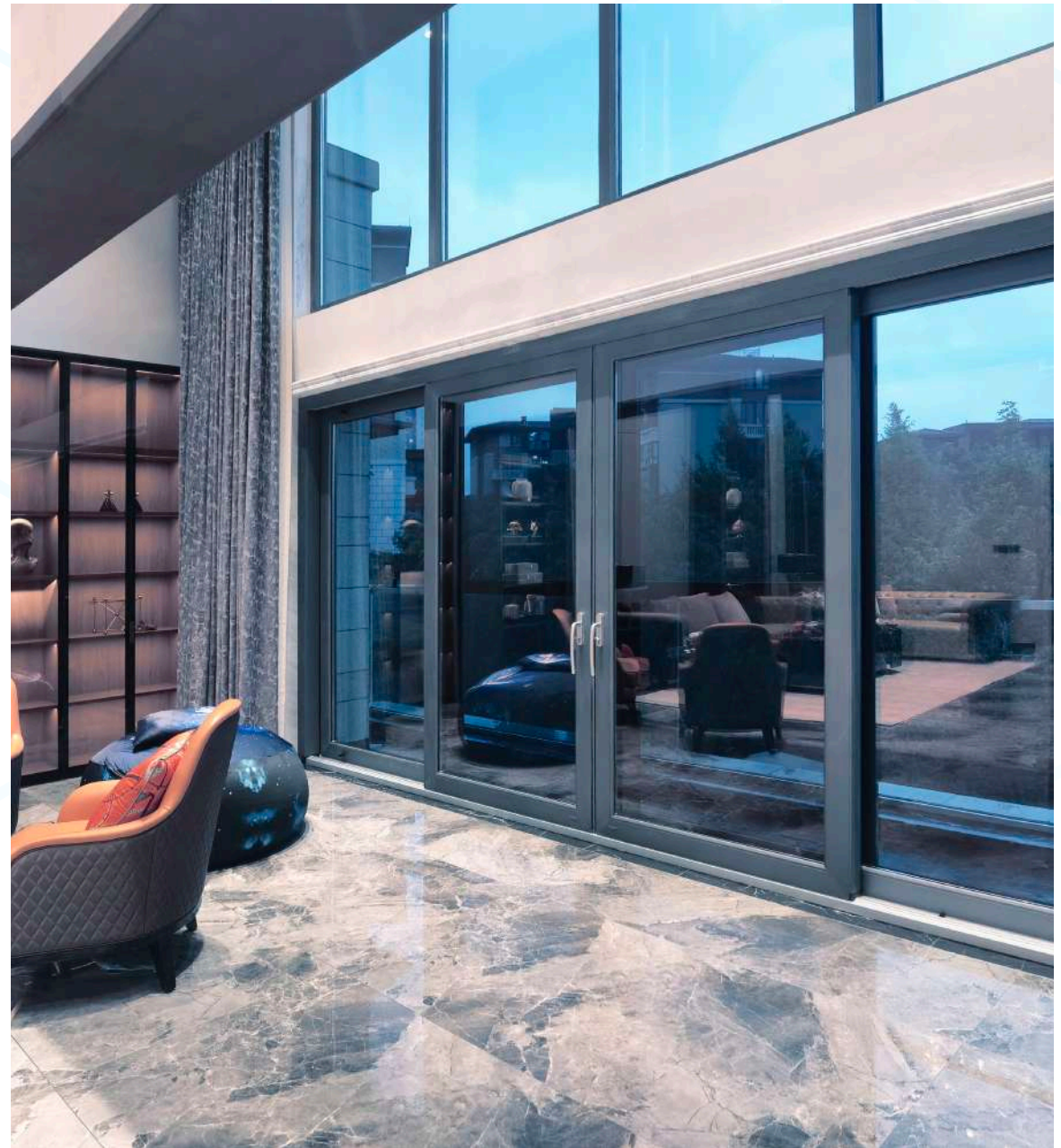
VIEWMAX SS2

Cutting edge technology for the sliding system

The revolutionary Viewmax SS2 sliding system is the next generation of sliding door and window system with German Roto-INNOVA hardware. Our design solves many of the problems that plague traditional sliding windows, such as inverted windows & obstructing curtains. Our leading-edge, micro-transition design decreases the space necessary for operation and improves air-sealing, water tightness, and structural integrity.

Features

- SS2 windows and doors operate smoothly with only 5-8 mm space between the frame and sash.
- Unique double steel reinforcement assures a rigid frame and easy installation that is resistant to wind pressure.
- A brand new design of the protective guardrail mechanism, greatly increases safety for floor-to-ceiling installations.
- Aviation grade TPE seals and hidden hardware ensure security as well as dust protection.
- Thermal energy conservation rating of U value=0.97-1.58 W/(m²K).
- Energy Star certified as The Most Efficient windows.
- NAFS & CSA certified.



Programmable processing



Energy-efficient multi-layer insulated glass



Aluminum cladding



HFL right-angle welding process



Wind pressure resistance



Inert gas filling

**CONTEMPORARY
SECURE
DURABLE
EFFICIENT
CERTIFIED
ADJUSTABLE
THERMAL
INNOVATIVE**

M SERIES
M90P
Exterior doors

SERIES M90P

Exterior doors

Our M90P smart doors are Passive House certified. The contemporary, clean aesthetic of these doors hides their high-tech performance. They are engineered for maximum insulation, home security and durability as required by Passive House building codes.

Features

- Thermally broken aluminum system with 3 mm aluminum-magnesium alloy plates.
- Filled with XPS-extruded polystyrene for extreme thermal performance.
- Optional design with glass - up to 5 tempered glass panes - laminated and Low-E, 95% argon filled.
- Very strong and secure with multi-point MACO locks (Austria) and burglar proof cylinder (AGB Italy).
- Concealed hinges with 3D adjustment possibilities.
- Long pull handles or concealed long pull handles.
- Designed as main exterior door but it is suitable for various applications such as patios, balconies, offices, etc.
- Thermally evaluated in Passive House Institute with U value rating of 0.75 W/(m²K).
- Tested in IFT Laboratory in Germany according to European Standards and QAI Laboratories in Canada according to NAFS & CSA.
- Energy Star certified.



Programmable processing



Programmable glass spacer



Automatic hot melt laminating



Energy-efficient multi-layer insulated glass



Aluminum-clad plastic



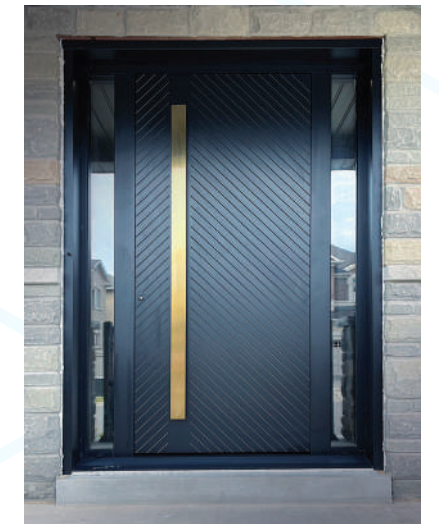
HFL Right-Angle Welding Process




Wind pressure resistance



Intermediate inert gas filling



PANORAMIC
SMART
SECURE
MODERN
DURABLE
BURGLAR-RESISTANT

 SERIES

AURORA

Exterior doors

 SERIES

AURORA

Exterior doors




Features

- Obsidian full glass screen makes this door design unique in contemporary architectural styles.
- Under the black glass, the dotted lights evoke night sky. Each light point is made of an optical fiber material which is stable and durable.
- Burglar-resistant glass configuration designed to withstand high impact.
- Features a hidden handle safety design that discretely hides fingerprint access sensors.
- Hidden hinge, burglar-proof lock cylinder, multi-lock point design, and aluminum-magnesium alloy door panel creates a super high anti-theft physical barrier.
- Face recognition, i+APP remote unlocking system, fingerprint recognition, key unlocking, a variety of security openings, convenient and fast - all embedded in smart Aurora doors.



DURABILITY
VERSATILITY
QUIET
PANORAMIC
WEATHERPROOF
ENERGY-EFFICIENT

 **SERIES**



Sunrooms
& curtain walls



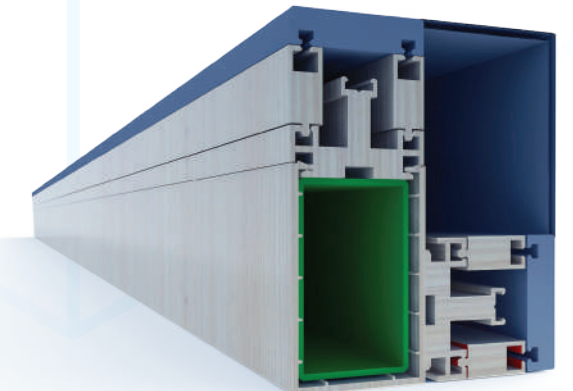
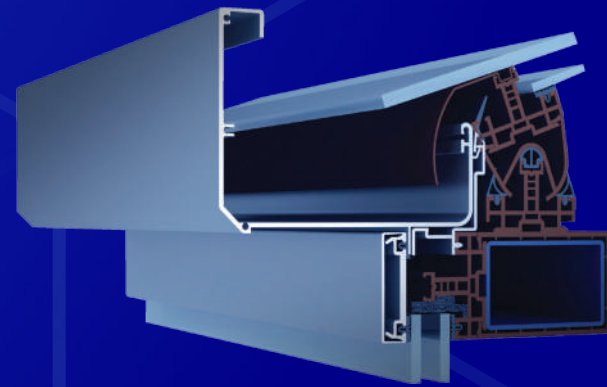
SUNROOMS

All season conservatory system

Q system is the culmination of our approach to design. We have incorporated all of Viewmax's advanced features and innovations into this high performance sun room system. The high strength reinforced profiles with advanced thermal and acoustic properties will enhance your home for years.

Features

- The Q Series profile is reinforced with extra-thick embedded carbon steel and steel fasteners, ensuring exceptional strength and durability.
- Engineered to withstand extreme climates, including heavy wind, rain, and snow.
- An independent facade and roof design seamlessly complement any architectural style.
- Structural loads and external forces are supported by a robust 2.5-5 mm carbon steel structure.
- High-strength die-cast connections ensure precise assembly and easy installation.
- Suitable for large panoramic curtain walls, capable of withstanding high wind pressure and severe storms.
- Multi-chamber construction conserves heat and prevents energy loss, achieving a U value rating of 1.11 W/(m²·K).
- Compatible with various glass assemblies, including laminated, insulating, and low-E glass.



Programmable processing



Programmable glass spacer



Automatic hot melt laminating



Aluminum cladding



Three-layer TPE sealing strip



Wind pressure resistance



Sun protection glass

CANADA SHOWROOM
John F Kennedy Drive,
Bluebell,
Dublin,
D12F229,
IrelandE

905-738-9997
viewmax.ca

