

The Clear Water Blueprint: Mastering STP Design & Operation

An intensive 2-day online masterclass
bridging the gap between academic theory
and real-world wastewater execution.



Host:
Academy of Water
Science (AOWS)



Dates:
13 & 14 JUNE 2026



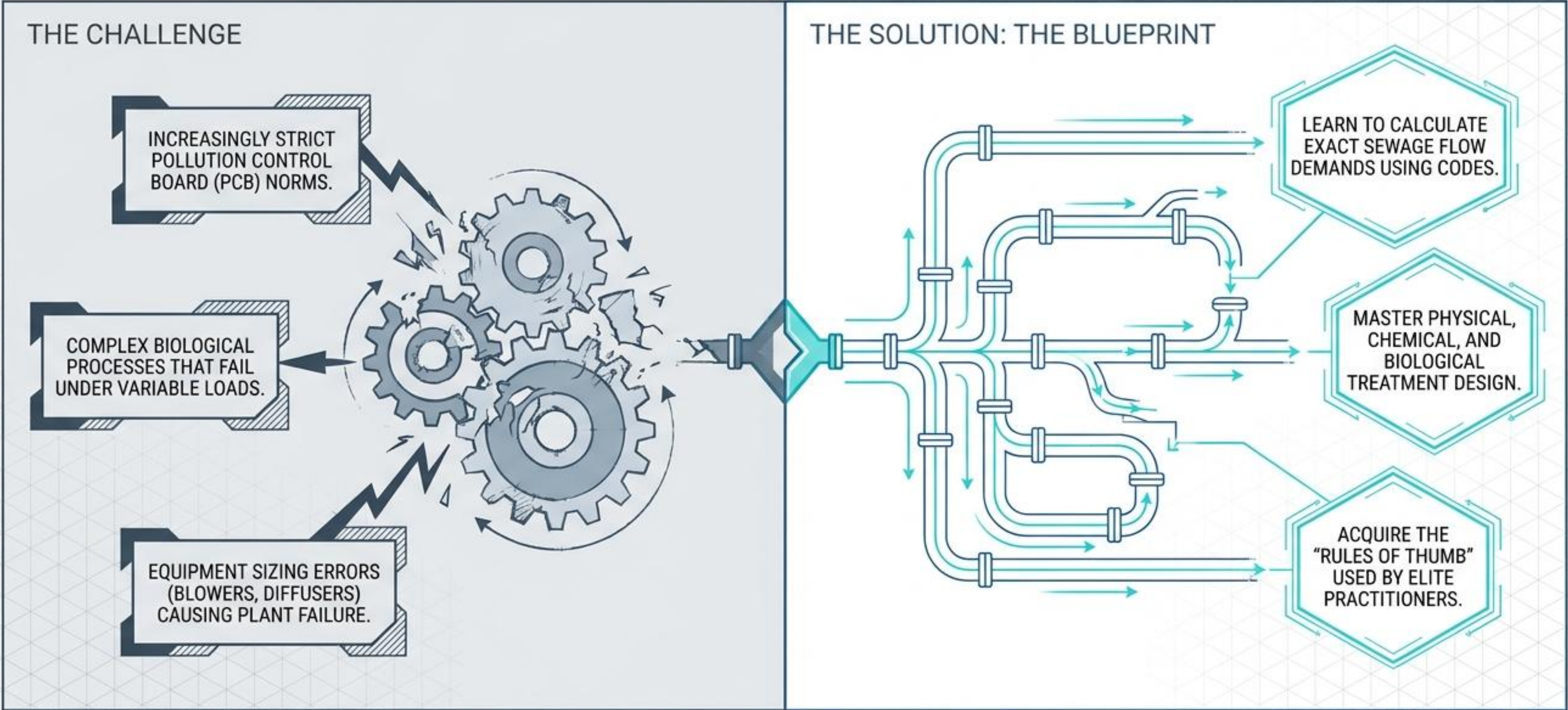
Format:
2 Full Days,
Online



Focus:
Sewage Treatment
Plants (STP)

<https://aows.in/stp-online>

THE GAP BETWEEN THEORY AND COMPLIANCE



WHO NEEDS THIS BLUEPRINT?



IDEAL FOR BEGINNERS AND PROFESSIONALS WITH 2-3 YEARS OF EXPERIENCE SEEKING END-TO-END SYSTEM MASTERY.

LEARN FROM IIT-CALIBER EXPERTISE

DR. SHASHIBHUSHAN BILIANGADI

Civil and Environmental Engineer



PEDIGREE

PhD from IIT Bombay,
MTech from IIT Guwahati.



EXPERIENCE

15+ years working on research
and consulting projects
since 2015. Top wastewater
instructor in India.



SPECIALTIES

STP/WWTP Design,
Environmental Risk Assessments,
Baseline/Morphological Studies,
Industrial Water Management.

You aren't just learning textbook concepts; you are learning the exact design methodologies used by a **lead industry consultant.**

THE 2-DAY PLANT WALKTHROUGH

ZONE 1 (DAY 1 AM)

Influent & Primary Treatment
(Bar Screens, Sedimentation).

ZONE 2 (DAY 1 PM)

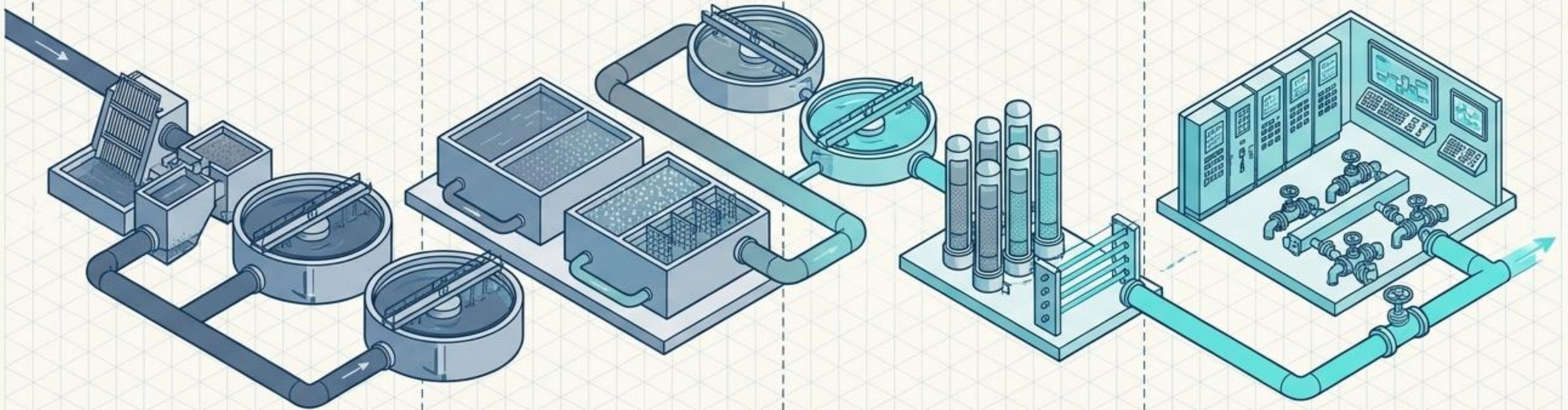
Secondary Treatment
(Aeration, MBBR, SBR).

ZONE 3 (DAY 2 AM)

Clarification & Polishing
(Settling, Filtration, Disinfection).

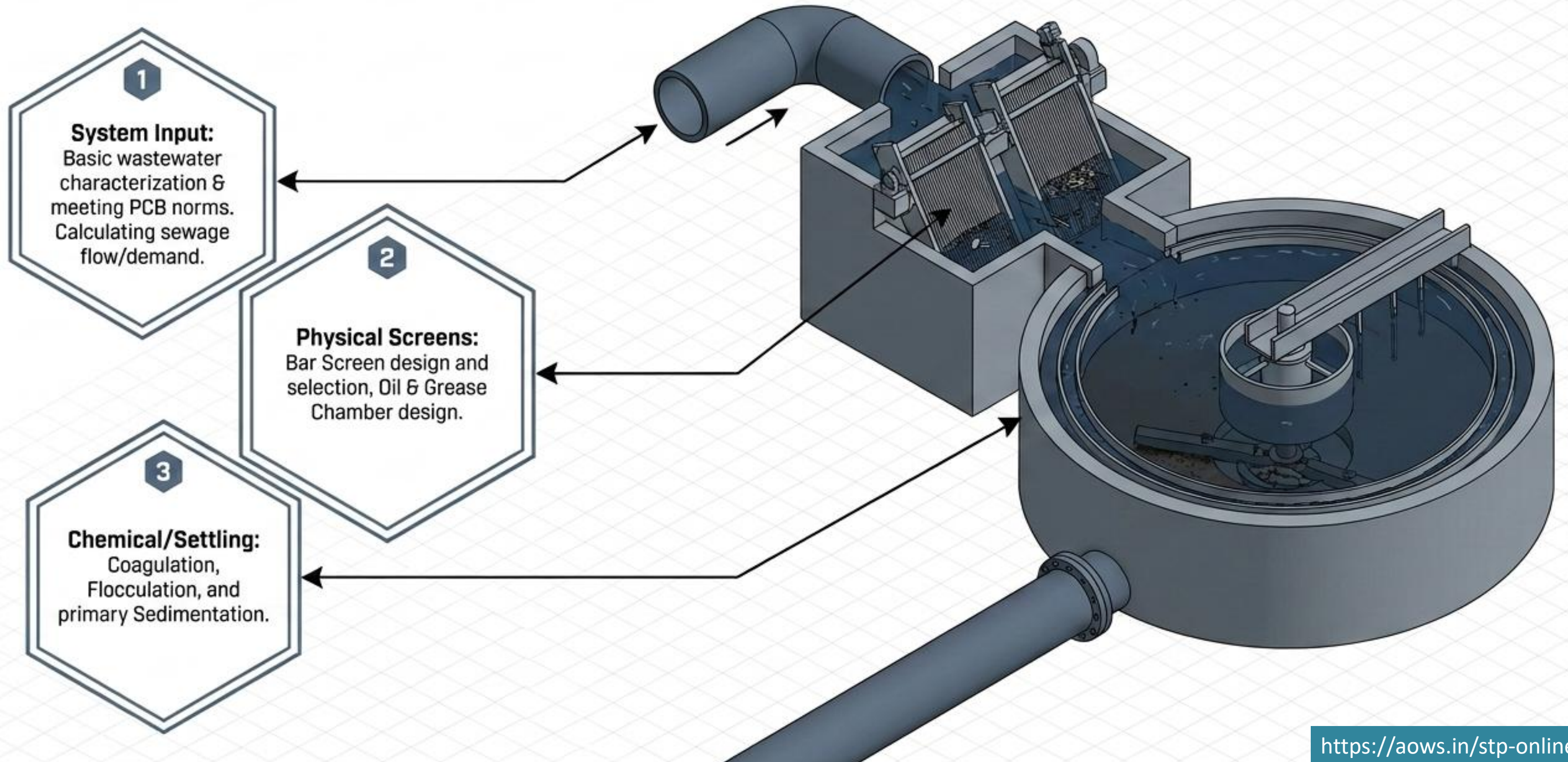
ZONE 4 (DAY 2 PM)

The Control Room
(Execution, Automation, Troubleshooting).



Day 1 Morning: Characterization & Primary Defense

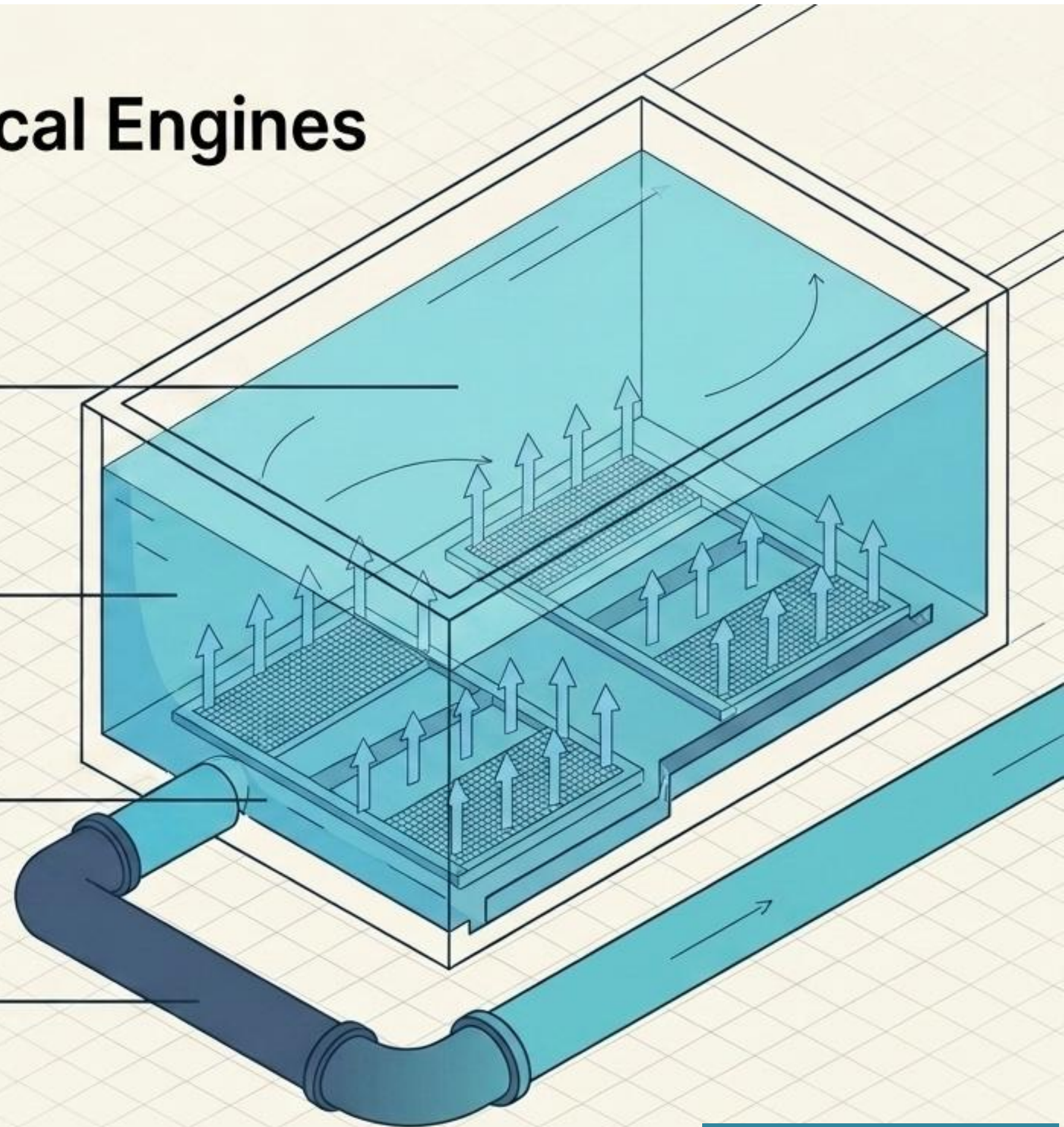
Saturday, 13th June (10:00 AM - 1:00 PM)



Day 1 Afternoon: The Biological Engines

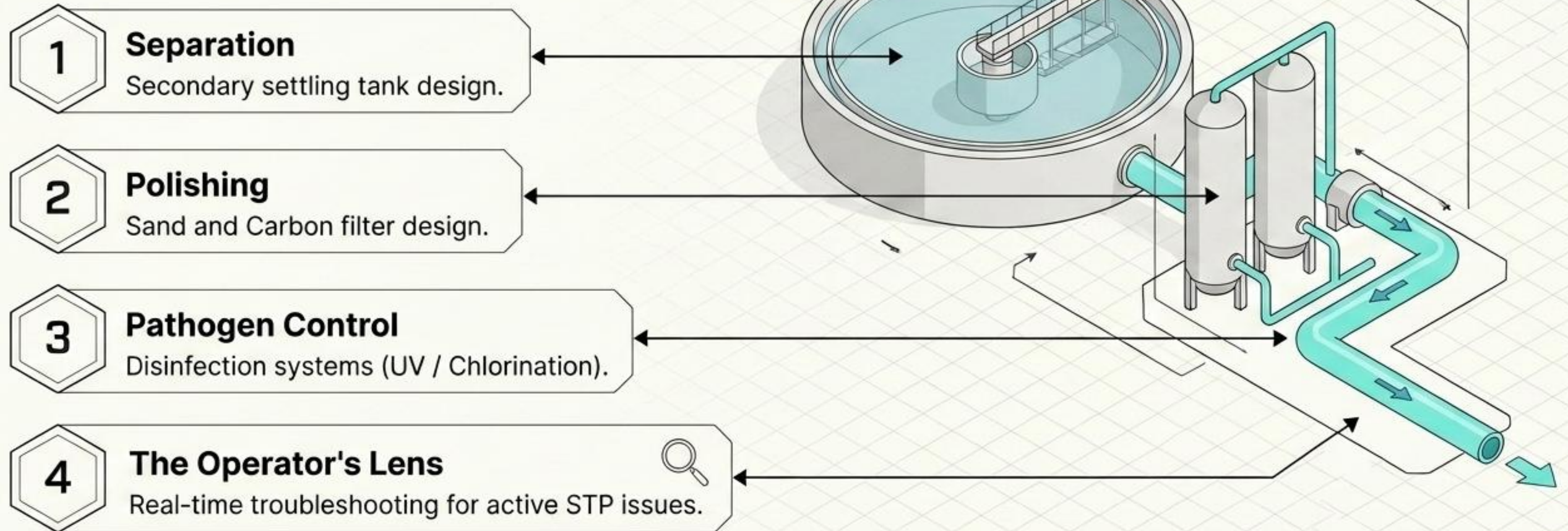
Saturday, 13th June (2:00 PM - 5:30 PM)

- 1 Aeration Mechanics**
Diffuser selection, Agitator/Pump design, Blower selection.
- 2 Piping**
Valves and plumbing specifically for biological tanks.
- 3 Advanced Bio-Systems**
Moving Bed Biological Treatment (MBBR) & Sequential Batch Reactor (SBR).
- 4 Nitrogen Control**
Anoxic tank design principles.



Day 2 Morning: Clarification, Polishing & Troubleshooting

Sunday, 14th June (10:00 AM - 1:30 PM)



Day 2 Afternoon: Execution & Commissioning

Sunday, 14th June (2:00 PM - 5:30 PM)

Infrastructure

Plumbing materials selection and installation.

Power & Control

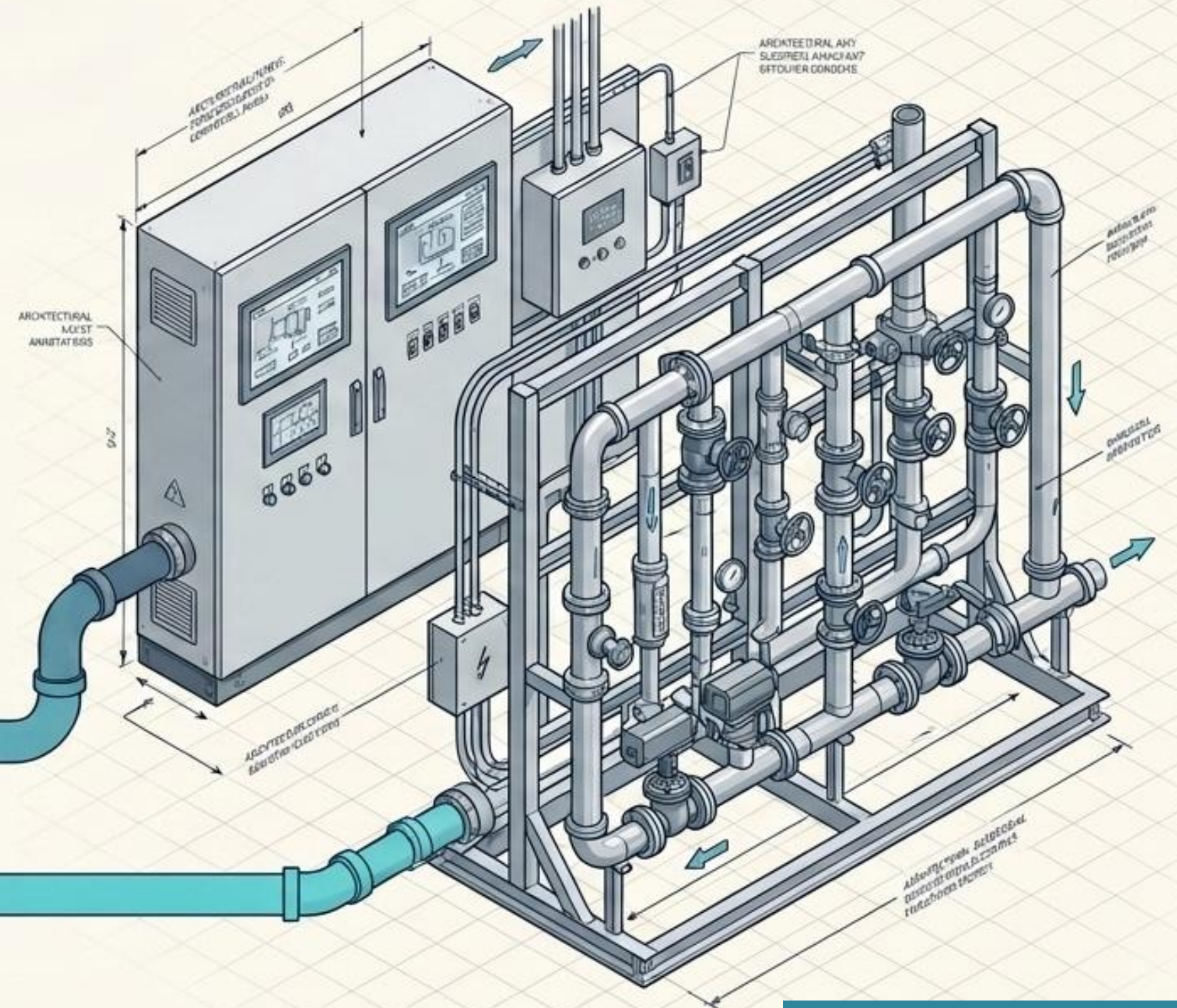
Electrical panel selection and Automation integration.

Synthesis

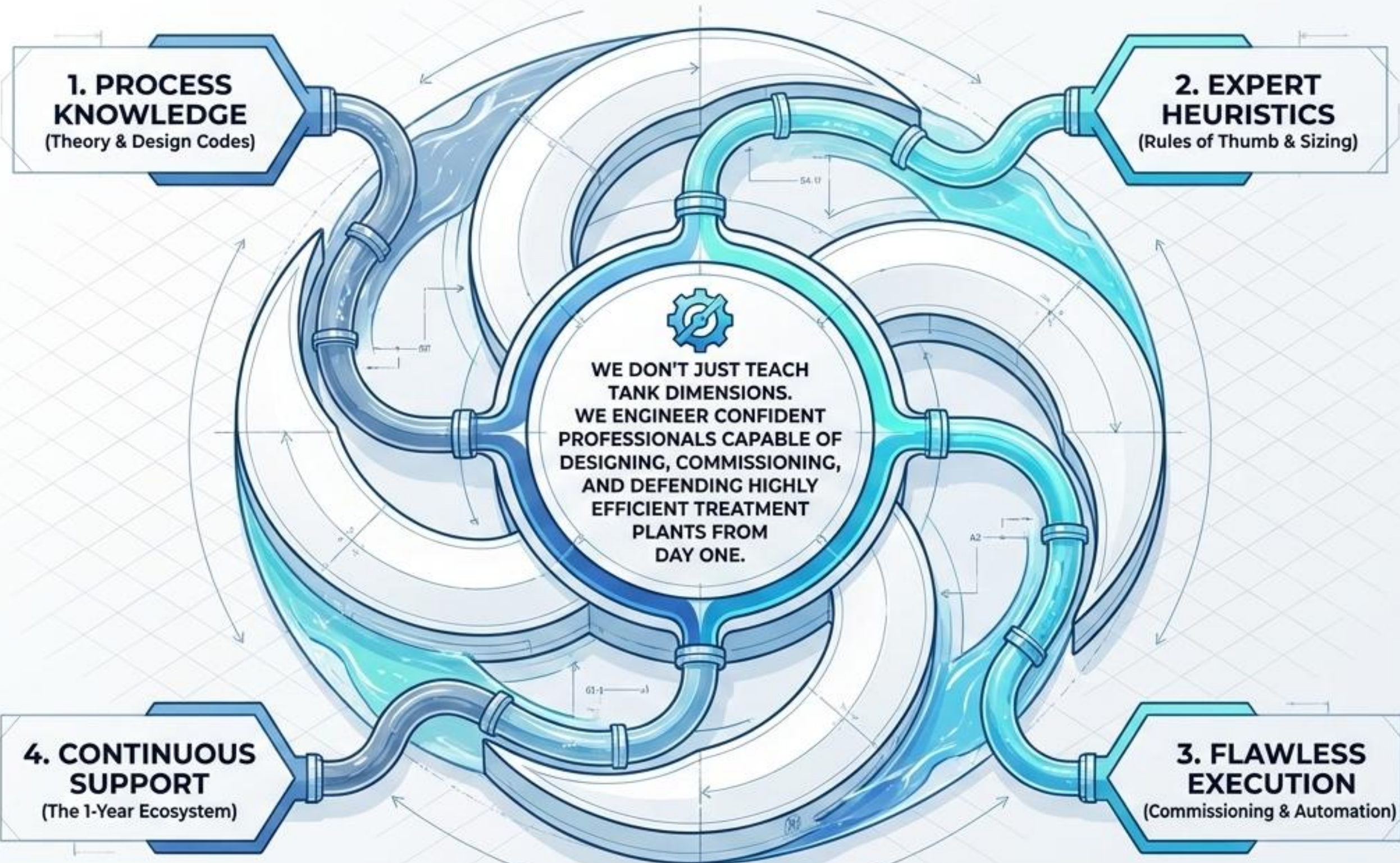
Solving live design problems and real-world Case Studies.

Q&A

Direct interaction with Dr. Biliangadi.



THE MASTERCLASS MULTIPLIER



THE POST-TRAINING ECOSYSTEM: VALUE BEYOND THE WEEKEND



PILLAR 1: KNOWLEDGE RETENTION

- Comprehensive study materials included.
- 50% discount on refresher training within one year.
- Discounted fees on other AOWS courses.



PILLAR 2: CAREER ACCELERATION

- Dedicated placement assistance.
- Access to an exclusive All-India community platform.



PILLAR 3: REAL-WORLD EXECUTION

- 1 full year of post-training support via a dedicated group.
- Project assistance and plant supply connections for your own start-ups.

THE INVESTMENT MATRIX

	Early Bird (Book by June 10, 2026)	Regular Fee (After June 10)	Group Booking (3+ Delegates)
Investment Amount	₹6,700 (incl. 18% tax)	₹9,700 (incl. 18% tax)	Additional ₹1,000 discount per participant off applicable rate. Ideal for corporate team upskilling.
Savings	₹3,000	₹0	
1-Year Support?	Yes	Yes	
Certification?	Yes	Yes	
Study Materials?	Yes	Yes	



SECURE YOUR SEAT TODAY

Limited seats available to ensure optimal Q&A and support quality.

Direct Booking Link:

<https://rzp.io/l/fexqKSmyD>

UPI/GPay:

9825024371 | aows@dbs

NEFT Transfer:

JEM INDIA | A/C: 0788611000000252
IFSC: DBSS0IN0788 | DBS Bank Limited

Bonus: Looking to master Effluent Treatment as well? An advanced ETP masterclass is scheduled for July 2026. Contact us for a combo-batch discount.

<https://aows.in/stp-online>