

Supreme Type Valve

The Supreme Type Valve is a stem guided four web seat valve. The cross-arm seat greatly improves impact absorption due to flapping from the valve body, and maximizes service life. It is made with forged alloy steel with polyurethane, Blue lightning, White lightning, or rubber inserts.



Three-web Valve

The Three-web Valve is a stem guided three-web seat valve. It is made with forged alloy steel with polyurethane or carboxylated nitrile inserts. High wear resistance greatly improves service life.



Premium Valve

Double Angle O-Ring Type Valve

Full Open Valve

The Full Open Type Valve is a four-wing guided full open seat valve. This design provides excellent flow characteristics and maximum flow area. eliminates snap rings, or plates in order to ease maintenance and installation, and also handles lost circulation material better than most conventional style valves and seats. It is made with forged alloy steel with polyurethane, white-lightening, or rubber inserts.



Roughneck Type Valve



Roughneck HP Type Valve



FKN (G2) Type Valve



SW Type Valve

Novatech Type Valve

The Novatech Type Valve is a four-wing guided full open seat valve. Its unique design has met with great success and is widely acclaimed by drilling contractors for their tremendous and reliable performance. On one-piece valve bodies, the insert retention groove acts as a circular channel beam to add superior rigidity to the valve body.



GD Type Valve



Plunger Pump Valve

supply for cementing, fracturing , water well and work over drilling purpose. And products are acid-resistant and endure high pressure, temperature, sand ratio, output etc.



Bomco Revolving Type



LS-NOW Type Valve



OLEC Valve Features

great variety of goods , scientific manufacturing process, good quality of the product. Makes heat treatment in own factory with advanced techniques and computer operated equipments. Deep carburized wear surfaces. Taper post-heat treat CNC machined to eliminate distortion Precisely machined to API standards. Long-life valve. It has the size of API-3# thru API-9#



OLEC Engineering technology services

olecets.com

sales@olecets.com

+33 786843374



High pressure resistant, high temperature resistant, low temperature resistant valve assembly

HTHP valve assembly manufactured by OLEC is designed according to the drilling conditions of high pressure resistance, high temperature resistance and low temperature resistance, It can work normally under the most severe environment with drilling pressure up to 7500-10000PSI and temperature between -40 and 150 °C. It also has the functions of oil resistance, acid resistance and alkali resistance,etc. It is suitable for high pressure resistance, high temperature resistance, low temperature resistance and oil-based mud working conditions. All performances and prices are better than HNBR. Under normal working conditions, the HTHP valve assembly has a longer service life.

OLEC can provide various series of mud pump and plunger pump valve assemblies of international famous brands such as full open, four web and three web. The rubber color can be manufactured according to user' requirements.



TYPE	DESCRIPTION	API4#	API5#	API6#	API7#	API8#	API9#
4 WEB	VALVE	LC-UB5-13HT	LC-UB5-05HT	LC-U5B-EHHT	LC-U5C-EEFHT	LC-U5B-23HT	LC-U520-M9HT
	SEAT	LC-4DD-B1	LC-5DD-B1orB3	LC-6ADD-B6orB4	LC-7DD-B1orB12	LC-8DD-B2orB7	LC-9DD-B3
	INSERT	LC-UDD-4BHT	LC-UDD-5BHT	LC-UDD-6ABHT	LC-UDD-7BHT	LC-UDD-8BHT	LC-UDD-9BHT
3 WEB	VALVE	LC-PJ482AHT			LC-202PZL482AHT		
	SEAT	LC-PJ451			LC-202PZL039		
	INSERT	LC-PJ452HT			LC-201PZL106HT		
FULL OPEN	VALVE	LC-4F0-V1HT	LC-5F0-V1HT	LC-6F0-V1HT	LC-7F0-V1HT	LC-8F0-V1HT	
	SEAT	LC-4F0-S1	LC-5F0-S1orS3	LC-6F0-S1orS4	LC-7F0-S1orS12	LC-8F0-S1orS7	
	INSERT	LC-4F0-SIHT	LC-5F0-SIHT	LC-6F0-SIHT	LC-7F0-SIHT	LC-8F0-SIHT	
G2	VALVE	LC-1561575HT	LC-1561525HT	LC-1560995HT	LC-1560985HT	LC-1560965HT	
	SEAT	LC-1561571&2	LC-1561530	LC-1561450	LC-1561440	LC-1561410	
	INSERT	LC-1561577HT	LC-1561527HT	LC-1560587HT	LC-1560557HT	LC-1560567HT	
FULL OPEN BONDED	VALVE	LC-4F0-V2HT	LC-5F0-V2HT	LC-6F0-V2HT	LC-7F0-V2HT	LC-8F0-V2HT	
	SEAT	LC-4F0-S1	LC-5F0-S1orS3	LC-6F0-S1orS4	LC-7F0-S1orS12	LC-8F0-S1orS7	
FULL OPEN-BOMCO SERIES	VALVE		AH0000020500HT	AH0000020100HT	AH0000020300HT		
	INSERT		AH0000020504HT	AH000002010205HT	AH000002030103HT		
	VALVE				AH0000020900B1HT	AH220201052200HT	
	INSERT				AH00002-0903B1HT	AH220201052205HT	
4 WEB-HP SERIES	VALVE					NB2200G. 05. 31AHT	
	INSERT					NB2200G. 05. 31A. 04HT	

OLEC provides a variety of plunger pumps, including SPM, Halliburton and other international brands of high pressure, high temperature, acid and alkali resistant valve assemblies and valve rubbers.

DESCRIPTION	API	4 WEB	FULL OPEN	SUPREME	ROUGHNECK	ROUGHNECK HP	G2 FKN
Valve (Urethane Insert)	4	LC-U5B-13	LC-4FO-V1	LC060152931	LC9700188		LC1561575
Valve (Rubber Insert)	4	LC-5B-13					LC1561574
Valve Seat	4	LC-4DD-B1	LC-4FO-S5	LC061103008	LC080130248		LC1561571
Valve Seat	4						LC1561572
Valve Spring	4	LC-5710-078	LC-5710-33	LC055413009	LC055413009		LC1712211
Valve Insert (Urethane)	4	LC-UDD-4B	LC-4FO-SI	LC062400114	LC9705040		LC1561577
Valve Insert (Rubber)	4	LC-DD-4B			LC9705104		LC1561578
Valve (Urethane Insert)	5	LC-U5B-05	LC-5FO-V1	LC060152907	LC9700200		LC1561525
Valve (Rubber Insert)	5	LC-5B-05		LC060122801			LC1561524
Valve Seat	5	LC-5DD-B1	LC-5FO-S1				
Valve Seat	5	LC-5DD-B3	LC-5FO-S3	LC061102729			LC1561530
Valve Spring	5	LC-5710-111	LC-5710-30	LC055413371	LC8201650		LC1560701
Valve Insert (Urethane)	5	LC-UDD-5B	LC-5FO-SI	LC062400080	LC9705066		LC1561527
Valve Insert (Rubber)	5	LC-DD-5B		LC062400072			LC1561528
Valve (Urethane Insert)	6	LC-U5B-EH	LC-6FO-V1	LC060152808	LC9700285	LC9700353	LC1560995
Valve (Rubber Insert)	6	LC-5B-EH		LC060122702	LC9702601		LC1560994
Valve (White Insert)	6			LC060152809	LC9700367	LC9700359	
Valve Seat	6	LC-6ADD-B6	LC-6FO-S1	LC061102653	LC9702547	LC9702547	LC1561380
Valve Seat	6	LC-6ADD-B4	LC-6FO-S4	LC061102604	LC9702555	LC9702555	LC1561450
Valve Spring	6	LC-5710-115	LC-5710-115	LC055413421	LC8201684	LC8201684	LC1560701
Valve Insert (Urethane)	6	LC-UDD-6B	LC-6FO-SI	LC062400106	LC9705090	LC9700363	LC1560587
Valve Insert (Rubber)	6	LC-DD-6B		LC062400056	LC9705155		LC1560588
Valve (Urethane Insert)	7	LC-U5C-EEF	LC-U7FO-V1	LC060155041	LC9700250	LC9700354	LC1560985
Valve (Rubber Insert)	7	LC-5CEEF		LC060155033	LC9700293		LC1560984
Valve (White Insert)	7			LC060155042	LC9700368	LC9700356	
Valve Seat	7	LC-7DD-B1	LC-7FO-S1	LC061101507	LC9702504	LC9702504	LC1561370
Valve Seat	7	LC-7DD-B12	LC-7FO-S12	LC061102505	LC9702539	LC9702539	LC1561440
Valve Spring	7	LC-5710-110	LC-5710-115L	LC055413397	LC055213417	LC055213417	LC1560702
Valve Insert (Urethane)	7	LC-UDD-7B	LC-7FO-SI	LC062400338	LC9705228	LC-PF071	LC1560557
Valve Insert (Rubber)	7	LC-DD-7B		LC062400239	LC9705244		LC1560558

OLEC Engineering technology services

olecets.com

sales@olecets.com

+33 786843374



DESCRIPTION	API	4 WEB	FULL OPEN	SUPREME	ROUGHNE CK	ROUGHNECK HP	G2 FKN
Valve (Urethane Insert)	8	LC-U5B-23	LC-U8FO-V1	LC060140100	LC9700382		LC1560965
Valve (Rubber Insert)	8			LC060112059			LC1560964
Valve (White Insert)	8			LC060140101	LC9700369		
Valve Seat	8	LC-8DD-B2	LC-8FO-S1	LC061100608	LC9702652		
Valve Seat	8	LC-8DD-B7	LC-8FO-S12	LC061100954	LC9702751		LC1561410
Valve Spring	8	LC-5710-033	LC-5710-033L	LC055413690	LC055413421		LC1560703
Valve Insert (Urethane)	8	LC-UDD-8B	LC-8FO-SI	LC062400536	LC9705236		LC1560567
Valve Insert (Rubber)	8			LC062400437			LC1560702
Valve Lock	5-8						LC1560706
Snap Ring	5-8						LC1560705
Valve (Urethane Insert)	9	LC-U520-M9	LC-U9FO-V1	LC060130705			
Valve (Rubber Insert)	9			LC060100856			
Valve Seat	9	LC-9DD-B3	LC-9FO-S1	LC061100459			
Valve Spring	9	LC-5710-033	LC-5710-033L	LC055409007			
Valve Insert (Urethane)	9	LC-UDD-9B	LC-9FO-SI	LC062400692			
Valve Insert (Rubber)	9			LC062400635			
DESCRIPTION	API	DOUBLE-ANGLE	PLATE TYPE	SW OPEN	FULL V2	BAKER 4WEB	BAKER FULL OPEN
Valve (Urethane Insert)	6	LC050011900	LC050503800	LC-773-1B	LC-ND6V2	LC052100600	LC052081600
Valve (Rubber Insert)	6		LC050503400			LC052100633	LC052081633
Valve Seat	6	LC052000800	LC052000800	LC-873-2	LC-ND6S6	LC052100900	LC052081700
Valve Seat	6	LC051243600	LC051243800	LC-873-1	LC-ND6S4	LC052101000	LC052083700
Valve Spring	6	LC051398900	LC051398800	LC-951		LC052086800	LC052083600
Valve Insert (Urethane)	6	LC051584500	LC050489000	LC-973		LC052100700	LC052081500
Valve Insert (Rubber)	6		LC050486200			LC052107100	LC052090600
Valve (Urethane Insert)	7	LC050011000	LC050506200	LC-777-7B	LC-ND7V2	LC052100000	LC052081300
Valve (Rubber Insert)	7		LC050505900			LC052100033	LC052087900
Valve Seat	7	LC050930900	LC050930900	LC-877-7	LC-ND7S1	LC052100400	LC052080500
Valve Seat	7	LC051429900	LC051429900	LC-877-8	LC-ND7S12	LC052100500	LC052083500
Valve Spring	7	LC051398900	LC051398800	LC-941		LC052086400	LC052086900
Valve Insert (Urethane)	7	LC051427500	LC050489300	LC-977		LC052100100	LC052080600
Valve Insert (Rubber)	7		LC050486400			LC052106300	LC052087800



OLEC Engineering technology services

olecets.com

sales@olecets.com

+33 786843374



Valve Assembly Charts

Manufacturer	Mud Pump Modle	API	Part No.	
Bomco	F-500	5	AH0000020500	
	F-800/1000	6	AH0000020100	
	F-1300/1600	7	AH0000020300	AH36001-05.12A.00
	F-1600HL	7	AH00002-1000	AH160201011900
	F-2200	8-HP		
	F-2200	8-SP		
LS-NOW	3NB1000C	6	107.04.140.00	107.04.144.00
	3NB1300C/1600	7	107.11.140.00	107.11.144.00
Hong Hua	HHF-800	6	NB800M-05.17.00	
	HHF-1000	6	GH3101-05.17.00	11-3101-0517.00
	HHF-1300/1600	7	GH3161-05.11.00	11-3161-0511-00
	HHF-1600HL	7-HP	GH3161-05.11.00(G)	
	HHF-1600HL	8		NB2200G.05.31(A).00
	HHF-2200	8-HP		NB2200G.05.31(A).00
Rong Sheng	RSF-500	5	RS11311.05.09.00	
	RSF-800/1000	6	RS11316.05.14.00	
	RSF-1300/1600	7		RS11309.05.10.00
	RSF-1600L	7	RS11314.05.12.00	
	RSF-1600HL	7		RS11309.05.10.00a
	W-440/446/500	4	W-440.01.03.00	
Bao Da	ZB-400II		ZB-03Y-06	
	BH-800II		NB-02Y-22	
Russia	UNB600			
	UNBT1180			



OLEC Engineering technology services

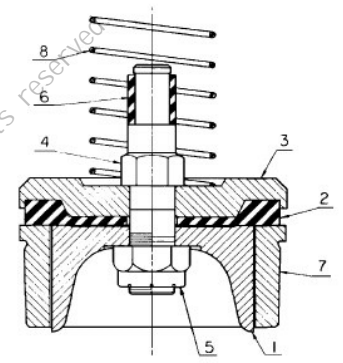
olecets.com

sales@olecets.com

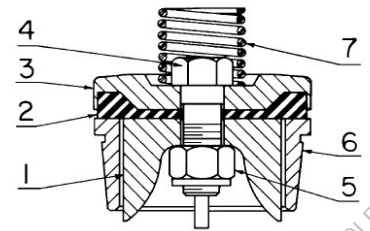
+33 786843374



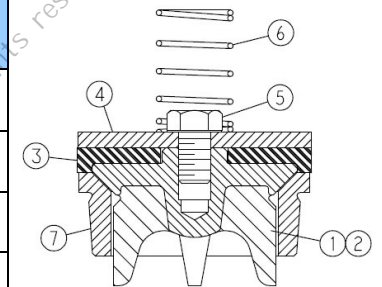
FY-FXD FULL OPEN	Name of Part	Part No.	Remarks
	Valve Assembly	200FYY482A	Includes 1 thru 6
1	Valve-Fluid	200FYY482	
2	Insert-Rubber	200FYY106	
3	Washer-Valve	200FYY279	
4	Bolt-Valve	200FYY012	
5	Locknut	50V6	
6	Bushing	2013547	
7	Seat-Valve	200FYY039	
8	Siring	78A169	



FF-FXF FULL OPEN	Name of Part	Part No.	Remarks
	Fluid Valve Assembly	200FFF482A	Includes 1 thru 5
1	Valve-Fluid	200FFF482	
2	Insert	200FFF106	Urethane
3	Washer-Valve	200FFF279	
4	Screw	200FFF655	
5	Locknut	50AF7	
6	Seat	202FFF039	
7	Spring	78A171	



FG-FXG FULL OPEN	Name of Part	Part No.	Remarks
	Fluid Valve Assembly	17FG206F	Includes 2 thru 5
2	Valve-Fluid	17FG206	
3	Insert	7FG452	Urethane
4	Washer	95D49	
5	Screw	5FF156	
6	Spring	78A171	
7	Seat	11FG39	



SUPPLIER GD VALVE & SEATS

API-9#	KG-KXF	FQ-FXQ	KG-KXG	GP-GXP	GR-GXP	GP-GXR	GR-GXR	C-350	
API-8#	FK-FXK	KG-KXJ-B							
API-7#	FXN-DMA	FZ-FXZ	FO-FXO						
API-4#	FD-FXX	PA-8	PJ-8A	PJ-HB					



OLEC Engineering technology services

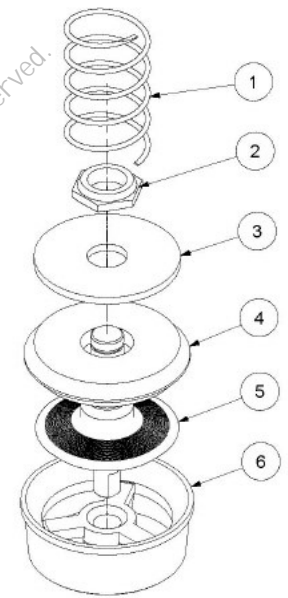
olecets.com

sales@olecets.com

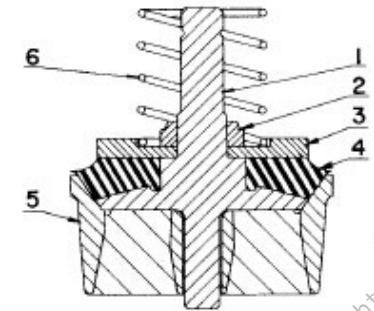
+33 786843374



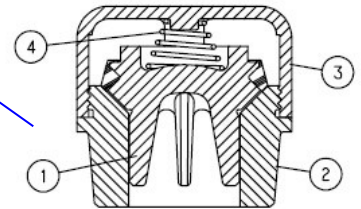
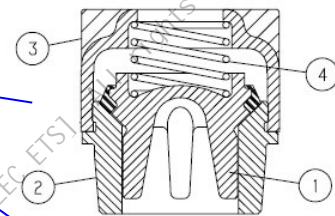
Ref. No.	Name of Part	Part No.	Remarks
	Fluid Valve Assembly	202PZL482A	Polyurethane (Includes 2 thru 5)
	Fluid Valve Assembly	202PZL482B	Carboxylated Nitrile (Includes 2 thru 5)
1	Spring, Valve	78H44	
2	Locknut, Valve	50V27	
3	Washer, Valve	201PZL279	
4	Insert, Valve	201PZL106	Polyurethane
4	Insert, Valve	202PZL106	Carboxylated Nitrile
5	Valve-Fluid	202PZL482	
6	Seat-Valve	202PZL039	For PZ-7/8/9/10/11
6	Seat-Valve	201FYY039	For FY-FXD



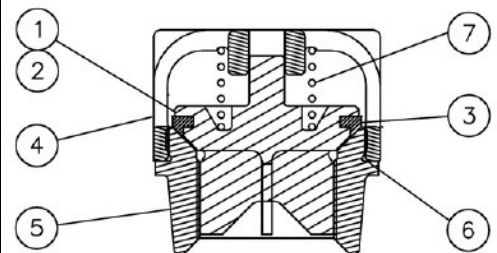
PAH	Name of Part	Part No.	Remarks
	ASM Fluid Valve	PJ482A	Urethane (Includes 1 thru 4)
	ASM Fluid Valve	2005341	Rubber (Includes 1 thru 4)
1	Valve-Fluid	PJ482	
2	Locknut, Valve	50V51	
3	Washer, Valve	PJ279	
4	Insert-Urethane	PJ452	Urethane
4	Insert-Rubber	2005342	Rubber
5	Seat-Valve	PJ451	
6	Spring, Valve	78H23	



TEE	Name of Part	Part No.	Discharge Valve	Remarks
		Fluid Valve Group	TEE90019	VWG90869
1	Valve-Fluid	204TEE482	213VWG482	
2	Seat-Valve	200PEE039	201VWF039	
3	Cage-Valve	200PEE054	201VWF054	
4	Spring	78H26	78C39	



THE	Name of Part	Part No.	Remarks
		Fluid Valve Assembly	304TEE2055
1	Valve-Fluid	2116895	
2	Insert	2116894	Urethane
3	Cage	2117759	Stainless Steel
4	Seat	2118112	
5	O-Ring	2116893	
6	Spring	2010608	



List of Valve & Seat Plunger Pump We Can Supply

Pump Mfr.	Pump Model	Plunger Size
SPM	TWS 250	1.75"~3"
SPM	TWS 250	3.25"~4"
SPM	TWS 400	2.5"~3"
SPM	TWS 400	3.50"~4.5"
SPM	TWS 500LW-600	2.75"
SPM	TWS 500LW-600	3"~4.75"
SPM	TWS 600S	2.5"~3"
SPM	TWS 600S	3.5"~4.5"
SPM	TWS 900	3.5"~4"
SPM	TWS 1300-1600-1800-2000-2250	
SPM	QWS 2000-2500LW	
SPM	QWS 2800	
Oilwell	SA-625,-626,-630,-634-5	
Oilwell	SA-640-5, SA-650-L	
Oilwell	W-350,W-500	3.5"~4"
Oilwell	W-350,W-500	4.5"~5"
Gardner Denver (OPI)	350-500 AWS	2.75"~3"
Gardner Denver (OPI)	350-500 AWS	3.5"~4"
Gardner Denver (OPI)	880 AWS, 1600 BWS	3.5"~4"
Gardner Denver (OPI)	350-500 AWS	4.5"~5"
Gardner Denver (OPI)	1000-1300-1800AWS	4.5"~5"
Gardner Denver (OPI)	1000-1300WS	4"~5.25"
Gardner Denver	LC-350. H-600	3.5"~4.5"
Gardner Denver	GD 2250	
Gardner Denver	GD 3000	
Gardner Denver (Geoquip)	H-880	3.5"~4"
Gardner Denver (Geoquip)	H-1600	4.5"~5"
Western (Rough Rider)	RR500 Mono Block F.E	
Western (Rough Rider)	Rough Rider (RR)1500 VDV	4.5"~5"
Western (Rough Rider)	RR1000 MONOBLOCK HV	5"
BJ Services	Pacemaker. Suction	3"~5"
BJ Services	Discharge	3"~5"
CMW (SPM)	Clarksville, 1300HP	3.75"~4"
CMW (SPM)	Clarksville, 1300HP	4.5"~5"
Pinion	RB-5, RB-6	
Gist	GT-78-1000	4"~5.25"
Omega	1300-1800HP	3.75"~4"
Omega	1000-1300HP	4"~5.25"
Omega	MW/MWA Fluid End	4.5"~5"
Halliburton	HT-400	3.38"~4"
Halliburton	HT-400	4.5"
Halliburton	HT-400	5"~6"
Dowell	PG05 (300HP)	3.75"~5"
FMC	FMC 2700	4"



OLEC Engineering technology services

olecets.com

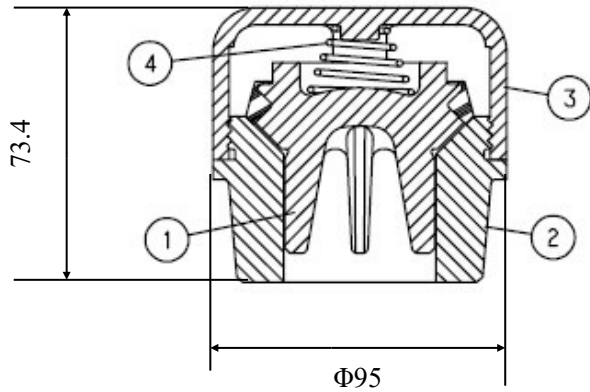
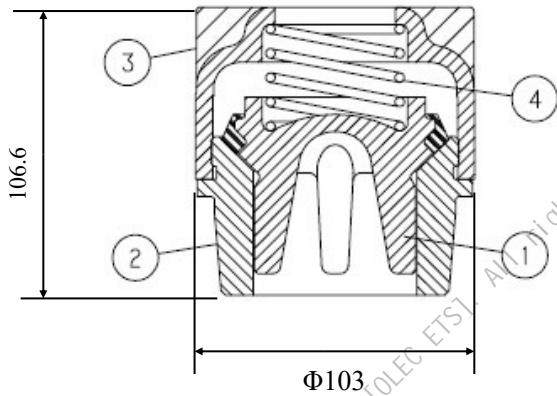
sales@olecets.com

+33 786843374

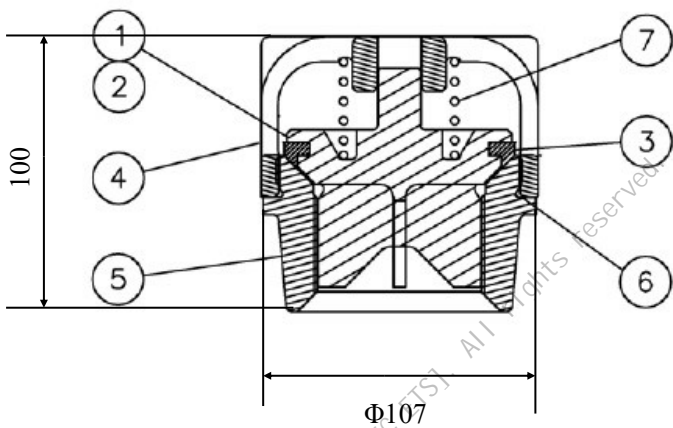


AR-VALVE List

TEE	Name of Part	Part No.	Discharge Valve	Remarks
		Fluid Valve Group	TEE90019	VWG90869
1	Valve-Fluid	204TEE482	213VWG482	
2	Seat-Valve	200PEE039	201VWF039	
3	Cage-Valve	200PEE054	201VWF054	
4	Spring	78H26	78C39	



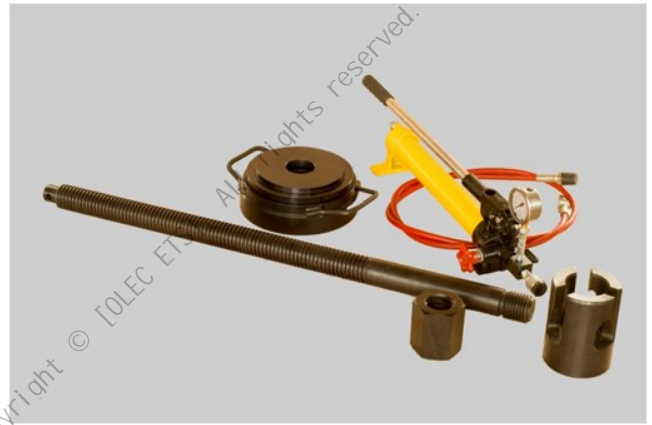
THE	Name of Part	Part No.	Remarks
		Fluid Valve Assembly	304TEE2055
1	Valve-Fluid	2116895	
2	Insert	2116894	Urethane
3	Cage	2117759	Stainless Steel
4	Seat	2118112	
5	O-Ring	2116893	
6	Spring	2010608	



Hydraulic Valve Seat Puller

OLEC's hydraulic valve seat puller is designed for safely and efficiently removing valve seats from mud pumps. The components are made from premium forged steel with throughout heat treatment for center stem and nut in order to sustain high pulling force without mechanical yielding.

OLEC also offers mechanical valve seat pullers upon request.



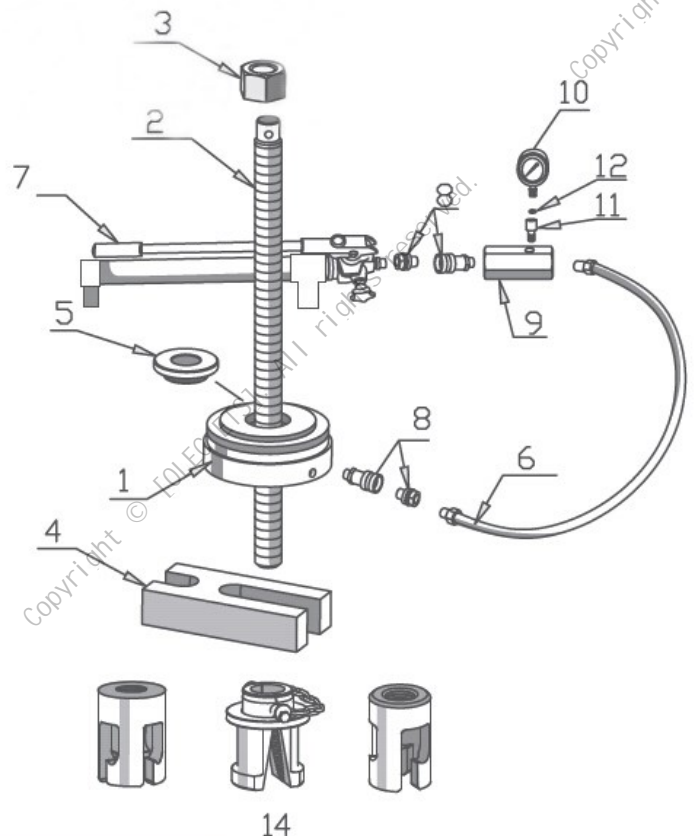
Features

- OLEC's puller can exert a force over 200000 pounds
- Compatible to the most of styles and sizes of API 3 to API 9 valve seats (full open, 3-web, and cross-arm)
- Center stem and nut are made by high strength steel with throughout heat treatment
- Self-sealing quick disconnect couplings are designed to all fluid connectors for quick installation
- Base H-bar is welded with two handles for easy handling
- Both hydraulic and mechanical puller units are available



Valve seat puller Assembly (Includes Items # 1-13)

- 1 Hydraulic Jack
- 2 Center Stem
- 3 Center Stem Nut
- 4 Puller H-BAR
- 5 Center Bushing
- 6 Hydraulic Hose
- 7 Hydraulic Pump
- 8 Coupler
- 9 Gauge Adapter
- 10 Gauge 0~14K PSI(100MPa)
- 11 Male Adapter
- 12 Seal
- 13 Carrying Case



Variable size Puller heads 3"~7" 60 TON (Not Include)

Mud pump Special Tool

- Cylinder head bar
- Hosting tool for liner
- Liner cage puller
- Valve guide Loading and unloading Tool
- Extension bar
- Valve Insert Installation Tool
- Piston Replacement Rubbers Installation Tool
- Sundry size Socket spanner and Allen wrench