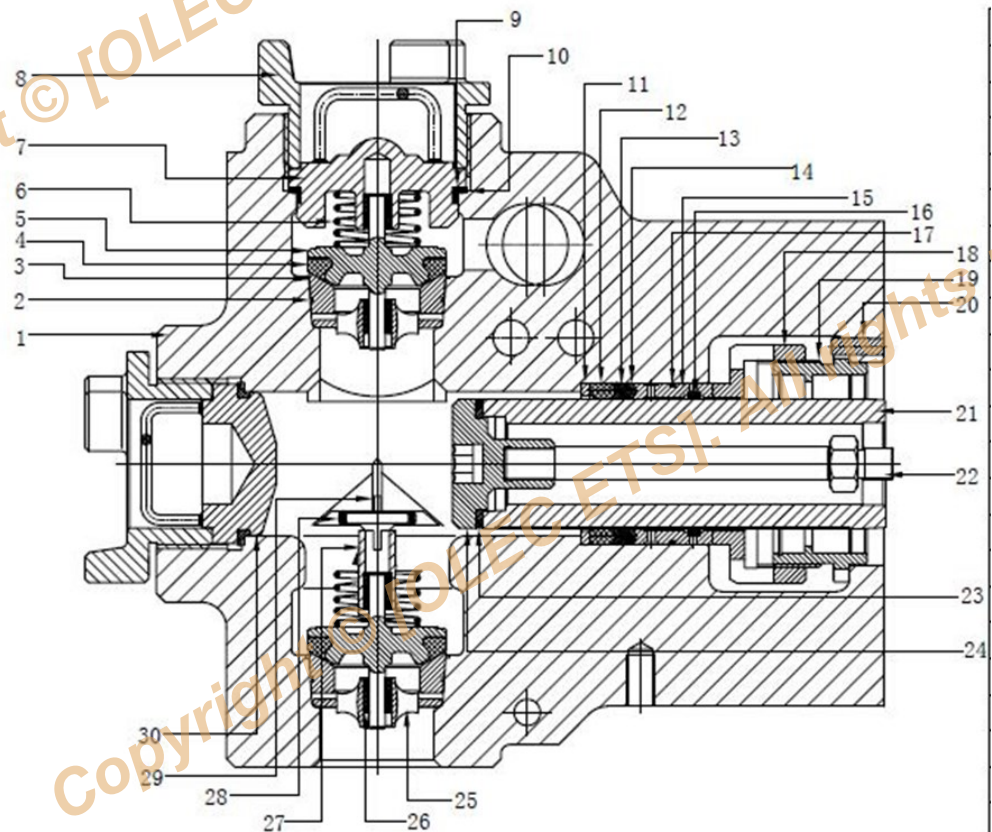
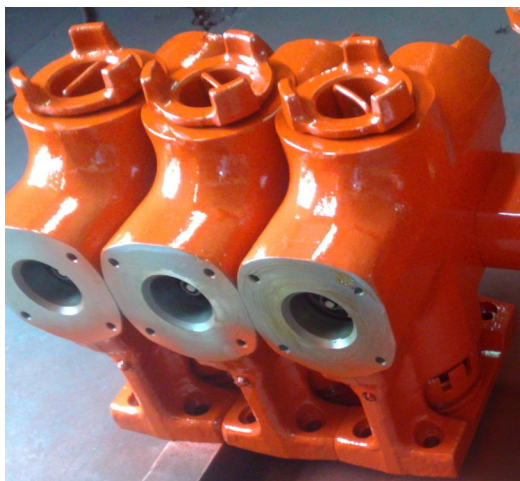


OLEC-HT400 FLUID END ASSEMBLY

| ITEM | LC PART No. | DESCRIPTION | QTY PER PUMP | ITEM | LC PART No. | DESCRIPTION | QTY PER PUMP |
|------|-------------|--------------------------|--------------|------|-------------|-------------------------|--------------|
| 0 | HT400-**-0 | Fluid End Assembly | 1 | 16 | HT400-**-16 | Lattern Ring Seal | 3 |
| 1 | HT400-**-1 | Fluid End | 1 | 17 | HT400-**-17 | Lattern O Ring | 3 |
| 2 | HT400-**-2 | Seal, Valve Seat | 6 | 18 | HT400-**-18 | Bearing Seat, Packing | 3 |
| 3 | HT400-**-3 | Valve Seat | 6 | 19 | HT400-**-19 | Nut, Packing Adjustment | 3 |
| 4 | HT400-**-4 | Insert | 6 | 20 | HT400-**-20 | Pin Nut. Packing | 3 |
| 5 | HT400-**-5 | Valve Body | 6 | 21 | HT400-**-21 | Plunger | 3 |
| 6 | HT400-**-6 | Spring | 6 | 22 | HT400-**-22 | Stay rod, Plunger | 3 |
| 7 | HT400-**-7 | Discharge Cover | 3 | 23 | HT400-**-23 | Washer, Plug Plunger | 3 |
| 8 | HT400-**-8 | Discharge Retainer | 6 | 24 | HT400-**-24 | Plug Plunger | 3 |
| 9 | HT400-**-9 | Seal, Discharge Cover | 6 | 25 | HT400-**-25 | Guide Seat, Valve | 6 |
| 10 | HT400-**-10 | Circlip, Discharge Cover | 6 | 26 | HT400-**-26 | Protector | 12 |
| 11 | HT400-**-11 | Spacer | 3 | 27 | HT400-**-27 | Spring Seat | 3 |
| 12 | HT400-**-12 | Header Ring | 3 | 28 | HT400-**-28 | Spring Seat Protector | 6 |
| 13 | HT400-**-13 | Pressure Ring | 3 | 29 | HT400-**-29 | Pressure Spring | 3 |
| 14 | HT400-**-14 | Bushing Ring, Copper | 3 | 30 | HT400-**-30 | Suction Cover | 3 |
| 15 | HT400-**-15 | Lattern Ring | 3 | | | | |

OLEC-HT400 Pump Plunger Size have 3-3/8" 4" 4-1/2" 5", tables ** for Plunger Size. Parts can be matched with HALLIBURTON original design and exchanged.

Application: Acidification treatment, high aggregate, high pressure, large displacement and fracturing operation under harsh conditions.



Halliburton HT400 Fluid End Part List

| Part No. | DESCRIPTION | QTY PER PUMP |
|-----------------|--|--------------|
| HT400-**-4-1-1 | Discharge Retainer | 3 |
| HT400-**-4-1-2 | Discharge Cover | 3 |
| HT400-**-4-1-3 | Circlip, Discharge Cover | 3 |
| HT400-**-4-1-4 | Seal, Discharge Cover | 3 |
| HT400-**-4-1-5 | Liner, Two-piece Bushing Guide Brass | 12 |
| HT400-**-4-1-6 | Liner, Two-piece Bushing Guide NBR | 12 |
| HT400-**-4-1-7 | Spring | 6 |
| HT400-**-4-1-8 | Valve Body | 6 |
| HT400-**-4-1-9 | Insert, Polyurethane, Standard Service | 6 |
| HT400-**-4-1-10 | Valve Seat | 6 |
| HT400-**-4-1-11 | Seal, Valve Seat | 6 |
| HT400-**-4-1-12 | Retainer, Guide Bushing, Tapered Bore | 6 |

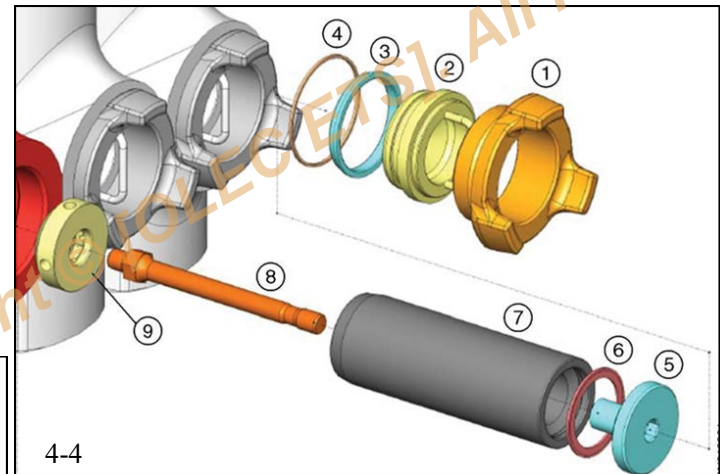
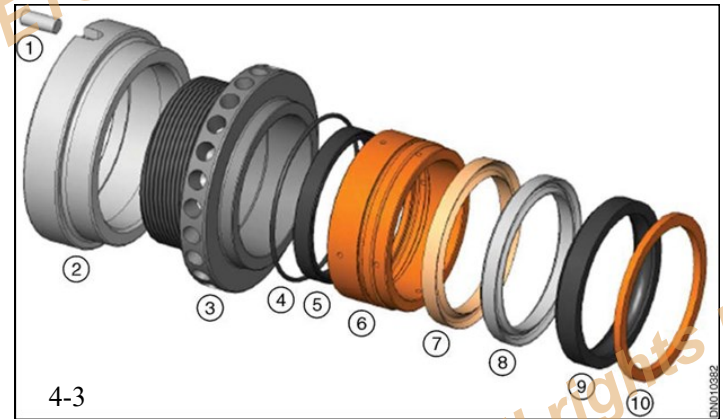
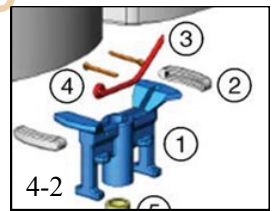
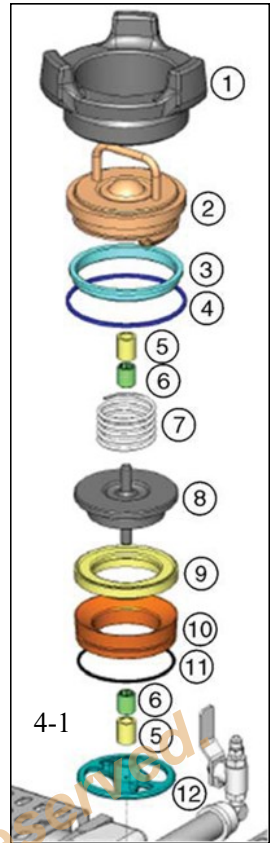
| | | |
|----------------|-------------------------------------|---|
| HT400-**-4-2-1 | Spring Seat | 3 |
| HT400-**-4-2-2 | Spring Seat Protector | 6 |
| HT400-**-4-2-3 | Pressure Spring | 3 |
| HT400-**-4-2-4 | Pin, Cotter, 1/8"*1-1/2", Stainless | 6 |

| Part No. | DESCRIPTION | QTY PER PUMP |
|-----------------|-------------------------|--------------|
| HT400-**-4-3-1 | Pin Nut, Packing | 3 |
| HT400-**-4-3-2 | Nut, Packing Adjustment | 3 |
| HT400-**-4-3-3 | Bearing Seat, Packing | 3 |
| HT400-**-4-3-4 | Lattern O Ring | 3 |
| HT400-**-4-3-5 | Lattern Ring Seal | 3 |
| HT400-**-4-3-6 | Lattern Ring | 3 |
| HT400-**-4-3-7 | Bushing Ring, Copper | 3 |
| HT400-**-4-3-8 | Pressure Ring | 3 |
| HT400-**-4-3-9 | Header Ring | 3 |
| HT400-**-4-3-10 | Spacer | 3 |

| | | |
|----------------|--------------------------|---|
| HT400-**-4-4-1 | Discharge Retainer | 3 |
| HT400-**-4-4-2 | Suction Cover | 3 |
| HT400-**-4-4-3 | Circlip, Discharge Cover | 3 |
| HT400-**-4-4-4 | Seal, Discharge Cover | 3 |
| HT400-**-4-4-5 | Plug Plunger | 3 |
| HT400-**-4-4-6 | Washer, Plug Plunger | 3 |
| HT400-**-4-4-7 | Plunger | 3 |
| HT400-**-4-4-8 | Stay rod, Plunger | 3 |
| HT400-**-4-4-9 | Spacer | 3 |

Parts can be matched with HALLIBURTON original design and exchanged.

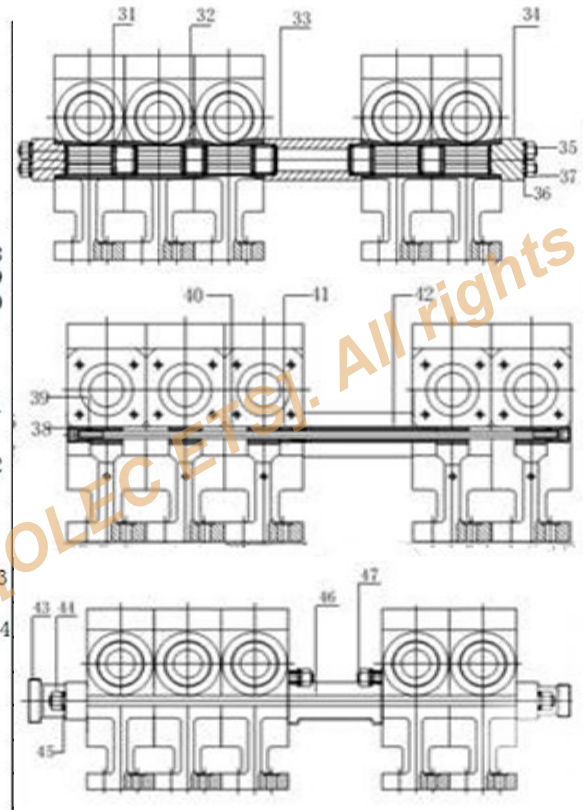
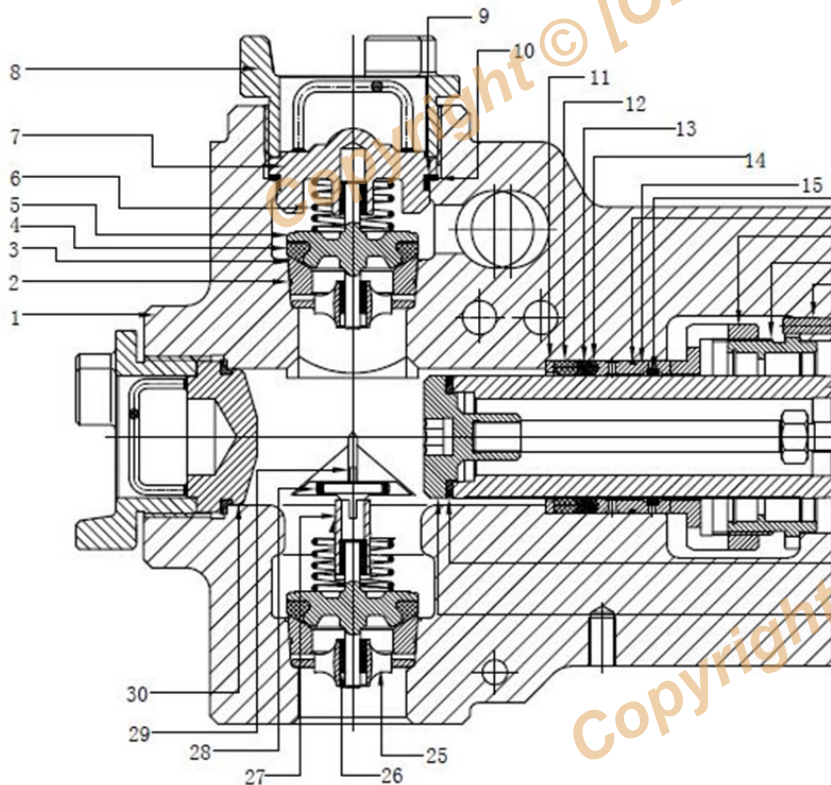
OLEC-HT400 Pump Plunger Size have 3-3/8" 4" 4-1/2" 5" , tables ** for Plunger Size.



OLEC-HT2000 FLUID END ASSEMBLY

| LC PART No. | DESCRIPTION | QTY PER PUMP | LC PART No. | DESCRIPTION | QTY PER PUMP |
|--------------|--------------------------|--------------|--------------|--------------------------------|--------------|
| HT2000-**-0 | Fluid End Assembly | 1 | HT2000-**-24 | Plug Plunger | 5 |
| HT2000-**-1 | Fluid End | 1 | HT2000-**-25 | Guide Seat, Valve | 10 |
| HT2000-**-2 | Seal, Valve Seat | 10 | HT2000-**-26 | Protector | 20 |
| HT2000-**-3 | Valve Seat | 10 | HT2000-**-27 | Spring Seat | 5 |
| HT2000-**-4 | Insert | 10 | HT2000-**-28 | Spring Seat Protector | 10 |
| HT2000-**-5 | Valve Body | 10 | HT2000-**-29 | Pressure Spring | 5 |
| HT2000-**-6 | Spring | 10 | HT2000-**-30 | Suction Cover | 5 |
| HT2000-**-7 | Discharge Cover | 5 | HT2000-**-31 | Seal, Discharge Flange | 12 |
| HT2000-**-8 | Discharge Retainer | 10 | HT2000-**-32 | Bushing, Discharge Flange | 5 |
| HT2000-**-9 | Seal, Discharge Cover | 10 | HT2000-**-33 | T-joint | 1 |
| HT2000-**-10 | Circlip, Discharge Cover | 10 | HT2000-**-34 | Sensor Flange | 1 |
| HT2000-**-11 | Spacer | 5 | HT2000-**-35 | Bolt Flange and Straight Joint | 4 |
| HT2000-**-12 | Header Ring | 5 | HT2000-**-36 | Stud Washer | 8 |
| HT2000-**-13 | Pressure Ring | 5 | HT2000-**-37 | Nut, Flange and Straight Joint | 8 |
| HT2000-**-14 | Bushing Ring, Copper | 5 | HT2000-**-38 | Nut, Joint Lever, underside | 2 |
| HT2000-**-15 | Lattern Ring | 5 | HT2000-**-39 | Washer, Joint Lever, underside | 2 |
| HT2000-**-16 | Lattern Ring Seal | 5 | HT2000-**-40 | Joint Lever, Underside | 1 |
| HT2000-**-17 | Lattern O Ring | 5 | HT2000-**-41 | Adjusting Bolt, Bushing | 1 |
| HT2000-**-18 | Bearing Seat, Packing | 5 | HT2000-**-42 | Bushing, Joint Lever | 1 |
| HT2000-**-19 | Nut, Packing Adjustment | 5 | HT2000-**-43 | Discharge Flange | 1 |
| HT2000-**-20 | Pin Nut, Packing | 5 | HT2000-**-44 | Nut, Joint Lever, Top | 2 |
| HT2000-**-21 | Plunger | 5 | HT2000-**-45 | Washer, Joint Lever, Top | 2 |
| HT2000-**-22 | Stay rod, Plunger | 5 | HT2000-**-46 | Joint Lever, Top | 1 |
| HT2000-**-23 | Washer, Plug Plunger | 5 | HT2000-**-47 | Bolt | 4 |

OLEC-HT400 Pump Plunger Size have 3-3/8" 4" 4-1/2" 5", tables ** for Plunger Size.
Parts can be matched with HALLIBURTON original design and exchanged.



OLEC Engineering technology services

olecets.com

sales@olecets.com

+33 786843374

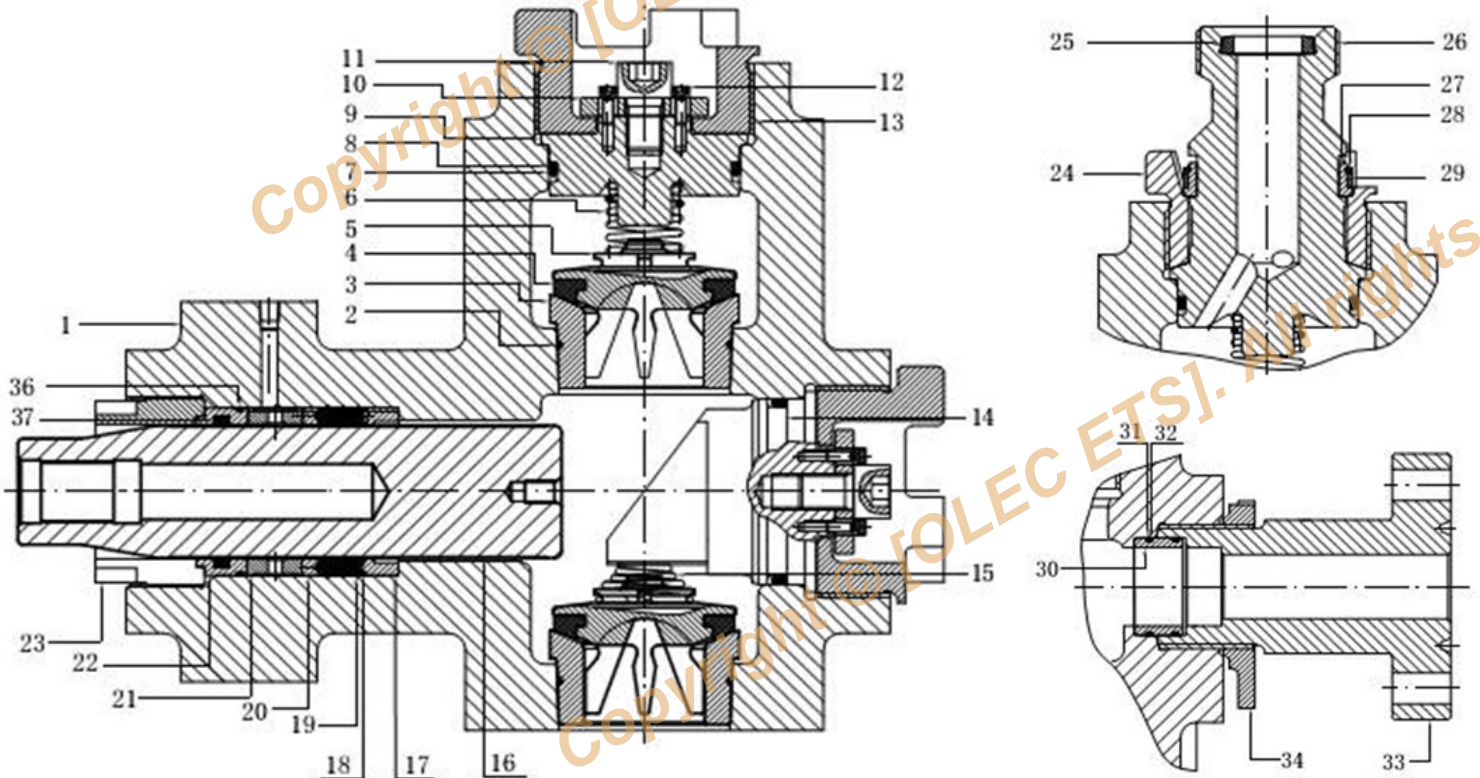


OLEC-TWS300 FLUID END ASSEMBLY

| OLEC PART No. | DESCRIPTION | QTY PER PUMP | OLEC PART No. | DESCRIPTION | QTY PER PUMP |
|---------------|------------------------|--------------|---------------|---------------------------------|--------------|
| TWS300-**-1 | Fluid End | 1 | TWS300-**-18 | Packing Hard | 9 |
| TWS300-**-2 | Seal, Valve Seat | 6 | TWS300-**-19 | Packing Soft | 9 |
| TWS300-**-3 | Valve Seat | 6 | TWS300-**-20 | Paing, Pressure Ring | 3 |
| TWS300-**-4 | Insert | 6 | TWS300-**-21 | Guide Bushing | 3 |
| TWS300-**-5 | Valve Body | 6 | TWS300-**-22 | Seal, Bushing | 3 |
| TWS300-**-6 | Discharge Spring | 3 | TWS300-**-23 | Seal Cover | 3 |
| TWS300-**-7 | O-Ring, Cover | 6 | TWS300-**-24 | Retainer Nut for 2" Gauge Conn | 1 |
| TWS300-**-8 | Circlip, Cover | 6 | TWS300-**-25 | 2" FIG Seal Ring | 1 |
| TWS300-**-9 | Discharge Cover | 3 | TWS300-**-26 | Discharge Cover W/2" Gauge Conn | 1 |
| TWS300-**-10 | Washer Plate | 6 | TWS300-**-27 | Clamping Ring | 1 |
| TWS300-**-11 | Soet Head Cap Screw I | 6 | TWS300-**-28 | Clamping Spring | 1 |
| TWS300-**-12 | Soet Head Cap Screw II | 12 | TWS300-**-29 | Clamping Band | 1 |
| TWS300-**-13 | Retainer Nut | 6 | TWS300-**-30 | Sealing Set | 2 |
| TWS300-**-14 | Plug | 3 | TWS300-**-31 | O-Ring, Sealing Set | 4 |
| TWS300-**-15 | Suction Spring | 3 | TWS300-**-32 | Bearing Ring, Sealing Set | 4 |
| TWS300-**-16 | Plunger | 3 | TWS300-**-33 | Discharge Flange | 2 |
| TWS300-**-17 | Paing Set, Plunger | 3 | TWS300-**-34 | Wingunt, Discharge | 2 |
| | | | | | |
| | | | | | |
| | | | | | |

OLEC-TWS300 Pump Plunger Size have 3-3/4" 4" 4-1/2" 5" .
 tables ** for Plunger Size.

Parts can be matched with DOWILL original design and exchanged.



OLEC Engineering technology services

olecets.com

sales@olecets.com

+33 786843374



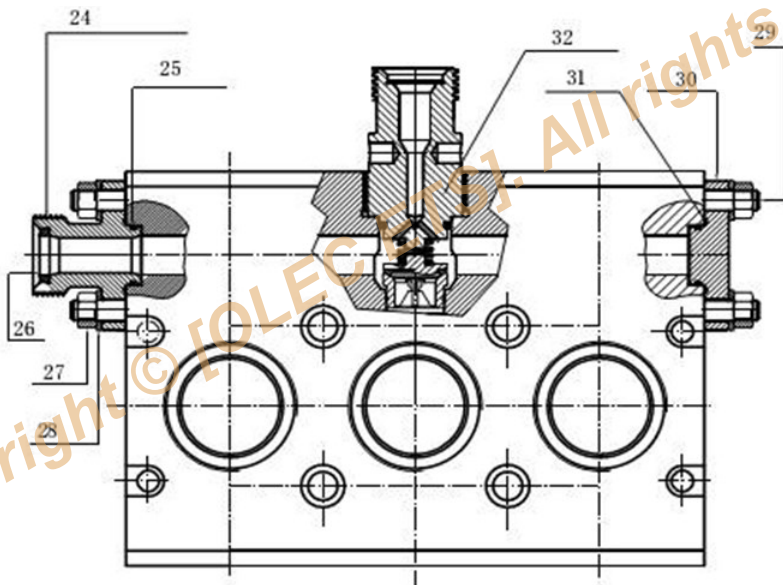
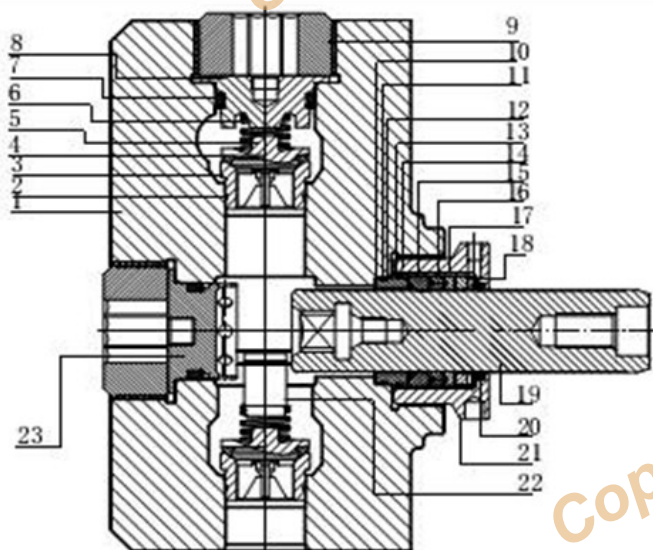
OLEC-TWS600S FLUID END ASSEMBLY

| Model NO | Description | QTY PER PUMP | Model NO | Description | QTY PER PUMP |
|---------------|------------------------------|--------------|---------------|-----------------------------|--------------|
| TWS600S-**-0 | Fluid End Assembly | 1 | TWS600S-**-17 | Ring, Copper | 3 |
| TWS600S-**-1 | Fluid End | 1 | TWS600S-**-18 | Lattern Ring | 3 |
| TWS600S-**-2 | Seal, Valve Seat | 6 | TWS600S-**-19 | Plunger | 3 |
| TWS600S-**-3 | Valve Seat | 6 | TWS600S-**-20 | Wiper Ring | 3 |
| TWS600S-**-4 | Insert | 6 | TWS600S-**-21 | Retainer nut, Seal, plunger | 3 |
| TWS600S-**-5 | Valve Body | 6 | TWS600S-**-22 | Suction Valve Stop | 3 |
| TWS600S-**-6 | Spring | 6 | TWS600S-**-23 | Suction Cover | 3 |
| TWS600S-**-7 | Seal, Discharge Cover | 6 | TWS600S-**-24 | Discharge Flange | 1 |
| TWS600S-**-8 | Discharge Cover | 2 | TWS600S-**-25 | Seal, Discharge flange | 2 |
| TWS600S-**-9 | Discharge Retainer | 5 | TWS600S-**-26 | 2" FIG Seal Ring | 1 |
| TWS600S-**-10 | Paing Set, Plunger | 3 | TWS600S-**-27 | Nut for Discharge flange | 8 |
| TWS600S-**-11 | O-Ring I Paing Set, Plunger | 3 | TWS600S-**-28 | Flat washer | 8 |
| TWS600S-**-12 | Circlip I | 3 | TWS600S-**-29 | Stud | 8 |
| TWS600S-**-13 | Circlip II | 3 | TWS600S-**-30 | Blind Flange | 1 |
| TWS600S-**-14 | O-Ring II Paing Set, Plunger | 3 | TWS600S-**-31 | Seal, Discharge flange | 2 |
| TWS600S-**-15 | Header Ring | 3 | TWS600S-**-32 | DISCHARGE COVER, GAGE PORT | 1 |
| TWS600S-**-16 | Pressure Ring | 3 | | | |
| | | | | | |
| | | | | | |
| | | | | | |

OLEC-TWS600S Pump Plunger Size have 2-1/2" 3" 3-1/2" 4" 4-1/2", tables ** for Plunger Size.

Parts can be matched with SPM original design and exchanged.

Application: Acidification treatment, high aggregate, high pressure, large displacement and fracturing operation under harsh conditions.

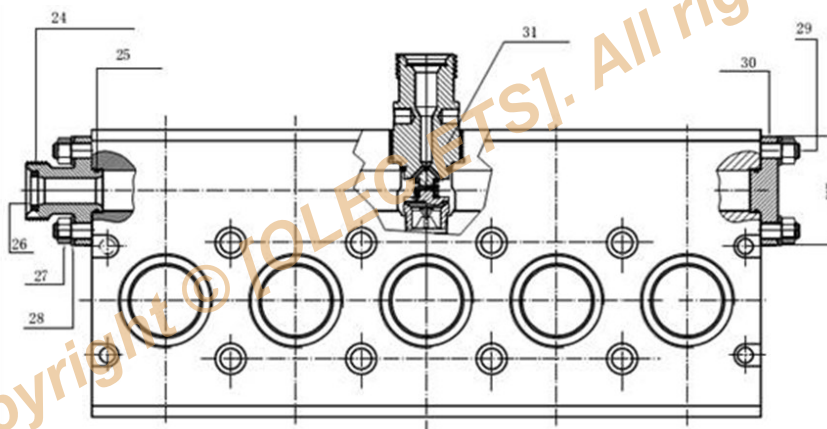
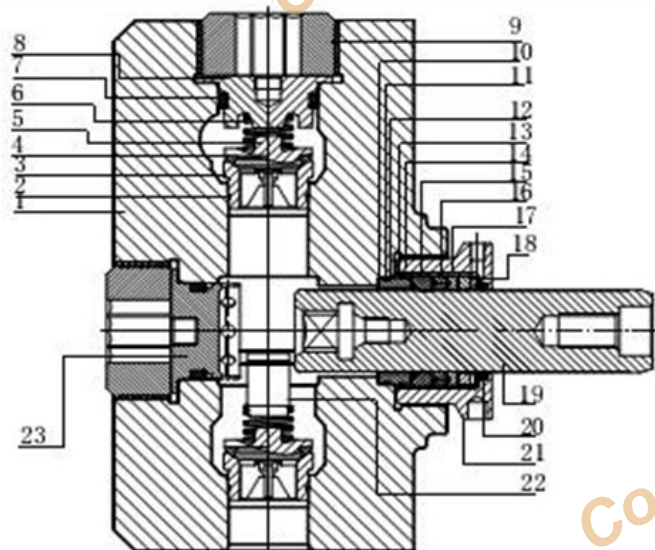


| OLEC-QWS1000 FLUID END ASSEMBLY | | | | | |
|---------------------------------|------------------------------|--------------|---------------|-----------------------------|--------------|
| Model NO | Description | QTY PER PUMP | Model NO | Description | QTY PER PUMP |
| QWS1000-**-0 | Fluid End Assembly | 1 | QWS1000-**-17 | Ring, Copper | 3 |
| QWS1000-**-1 | Fluid End | 1 | QWS1000-**-18 | Lattern Ring | 3 |
| QWS1000-**-2 | Seal, Valve Seat | 6 | QWS1000-**-19 | Plunger | 3 |
| QWS1000-**-3 | Valve Seat | 6 | QWS1000-**-20 | Wiper Ring | 3 |
| QWS1000-**-4 | Insert | 6 | QWS1000-**-21 | Retainer nut, Seal, plunger | 3 |
| QWS1000-**-5 | Valve Body | 6 | QWS1000-**-22 | Suction Valve Stop | 3 |
| QWS1000-**-6 | Spring | 6 | QWS1000-**-23 | Suction Cover | 3 |
| QWS1000-**-7 | Seal, Discharge Cover | 6 | QWS1000-**-24 | Discharge Flange | 1 |
| QWS1000-**-8 | Discharge Cover | 2 | QWS1000-**-25 | Seal, Discharge flange | 2 |
| QWS1000-**-9 | Discharge Retainer | 5 | QWS1000-**-26 | 2" FIG Seal Ring | 1 |
| QWS1000-**-10 | Paing Set, Plunger | 3 | QWS1000-**-27 | Nut for Discharge flange | 8 |
| QWS1000-**-11 | O-Ring I Paing Set, Plunger | 3 | QWS1000-**-28 | Flat washer | 8 |
| QWS1000-**-12 | Circlip I | 3 | QWS1000-**-29 | Stud | 8 |
| QWS1000-**-13 | Circlip II | 3 | QWS1000-**-30 | Blind Flange | 1 |
| QWS1000-**-14 | O-Ring II Paing Set, Plunger | 3 | QWS1000-**-31 | Seal, Discharge flange | 2 |
| QWS1000-**-15 | Header Ring | 3 | QWS1000-**-32 | DISCHARGE COVER, GAGE PORT | 1 |
| QWS1000-**-16 | Pressure Ring | 3 | | | |
| | | | | | |
| | | | | | |
| | | | | | |

OLEC-QWS1000 Pump Plunger Size have 2-1/2" 3" 3-1/2" 4" 4-1/2", tables ** for Plunger Size.

Parts can be matched with SPM original design and exchanged.

Application: Acidification treatment, high aggregate, high pressure, large displacement and fracturing operation under harsh conditions.



OLEC Engineering technology services

olecets.com

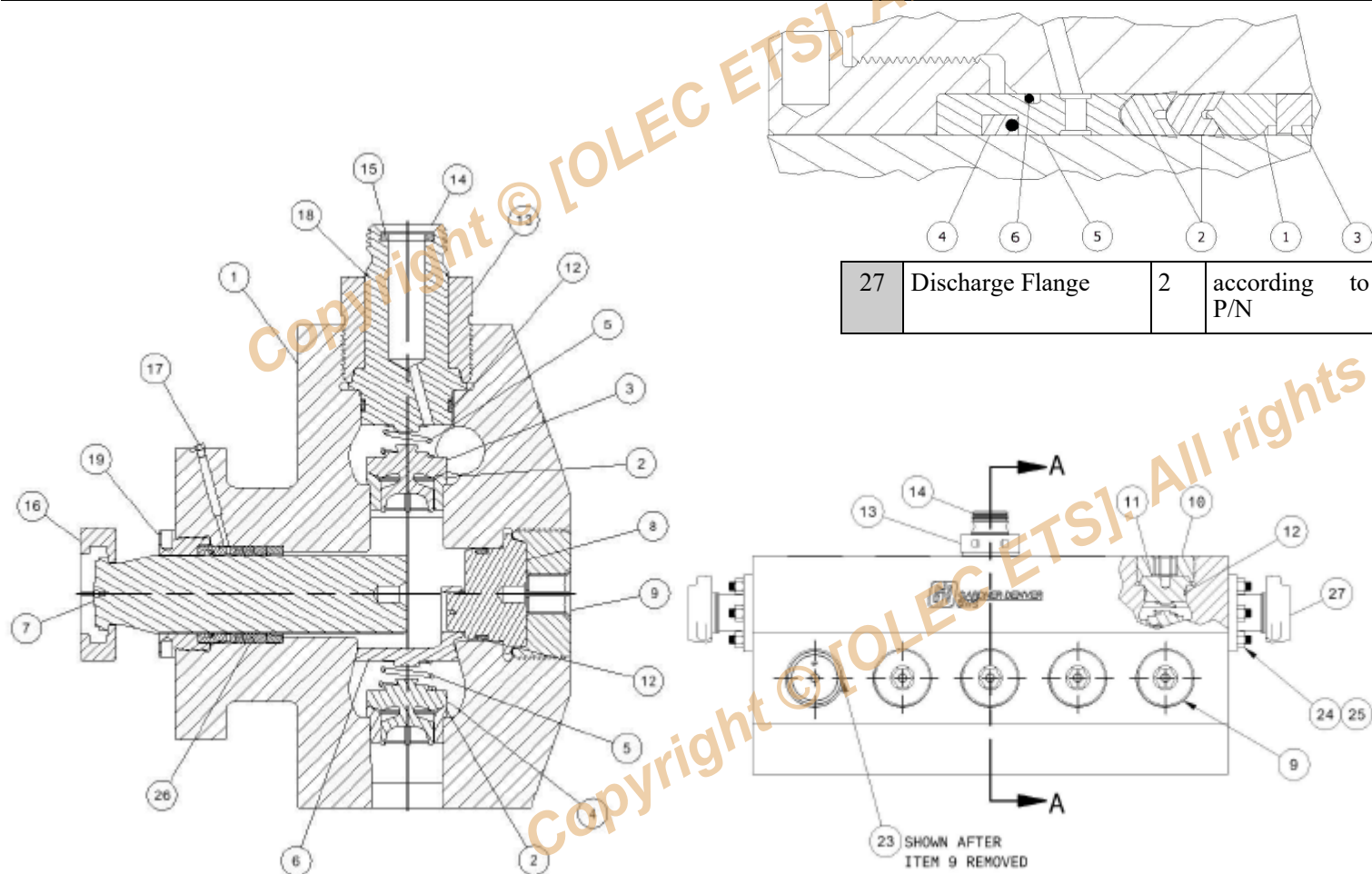
sales@olecets.com

+33 786843374



GD-2500Q 4.0" SGWS FLUID CYLINDER ASSEMBLY

| Ref No. | Name of Part | Qty | Part No. | Ref No. | Name of Part | Qty | Part No. |
|---------|--|-----|-----------|---------|---------------------|-----|--------------|
| 1 | Fluid Cylinder,4" SGWS | 1 | PP1053658 | 15 | Seal-2"1502 Weco | 1 | 901SH06-1 |
| 2 | Valve Seat | 10 | 100349 | 16 | Plunger Clamp | 5 | 342-C-78 |
| 3 | Discharge Valve | 5 | 101498 | 17 | Plug | 5 | 082276 |
| 4 | Suction Valve | 5 | 101498 | 18 | Retaining Ring | 1 | 65U45 |
| 5 | Valve Spring | 10 | 918VP023 | 19 | Gland | 5 | PP1055491 |
| 6 | Suction Spring Retainer | 5 | PP1027654 | 23 | Dowel Pin | 5 | 62M48 |
| 7 | Plunger | 5 | 157PN009 | 24 | Stud | 12 | 450VP005-034 |
| 8 | Suction Valve Cover | 5 | PP1055492 | 25 | Hex Nut | 12 | 50B34 |
| 9 | Retainer Nut-Suction Valve Cover | 5 | PP1027593 | 26 | 4" Packing Assembly | 5 | |
| 10 | Retainer Nut-Discharge Valve Cover | 4 | PP1027593 | 26-1 | Header Ring,4" | 5 | 901VP014-005 |
| 11 | Discharge Valve Cover | 4 | PP1055493 | 26-2 | Packing Ring | 10 | 901VP002-005 |
| 12 | Seal | 10 | VP1056477 | 26-3 | Ring-Junk | 5 | PP1044942 |
| 13 | Retainer Nut-Discharge Valve Cover, Gauge Connection | 1 | PP1027607 | 26-4 | Wiper Seal | 5 | 60AM84 |
| 14 | Discharge Valve Cover-2"1502 Gauge Connection | 1 | PP1055494 | 26-5 | Lantern Spacer | 5 | PP1058958 |
| | | | | 26-6 | O-Ring | 5 | 25AH260 |



OLEC ETS

OLEC Engineering technology services

olecets.com

sales@olecets.com

+33 786843374



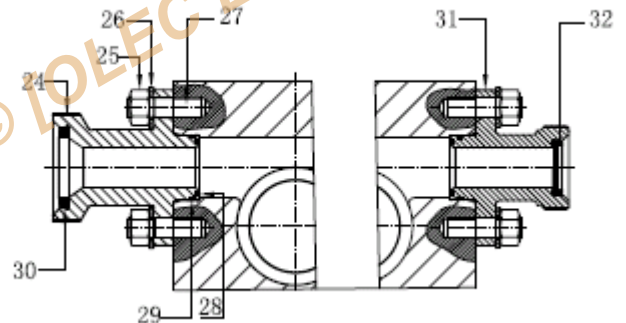
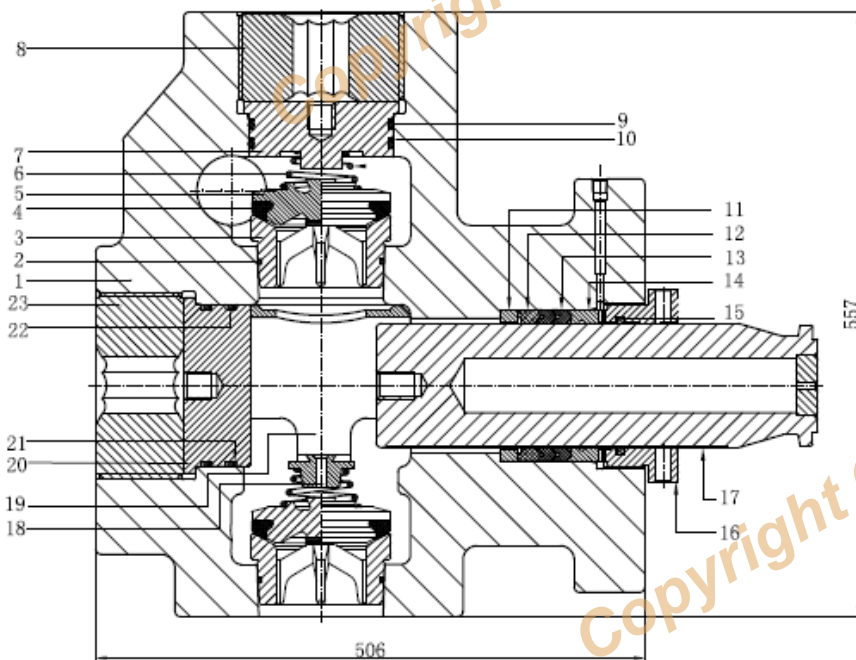
OLEC-OPI-1800 FLUID END ASSEMBLY

| ITEM | Model NO | Description | QTY PER PUMP | ITEM | Model NO | Description | QTY PER PUMP |
|------|----------------|----------------------------|--------------|------|----------------|--------------------------|--------------|
| 0 | OPI-1800-**-00 | Fluid End Assembly | 1 | 17 | OPI-1800-**-17 | Plunger | 3 |
| 1 | OPI-1800-**-01 | Fluid End | 1 | 18 | OPI-1800-**-18 | Spring Anchorage Bracket | 3 |
| 2 | OPI-1800-**-02 | Seal, Valve Seat | 6 | 19 | OPI-1800-**-19 | Spring Stop | 3 |
| 3 | OPI-1800-**-03 | Valve Seat | 6 | 20 | OPI-1800-**-20 | Suction Cover | 3 |
| 4 | OPI-1800-**-04 | Insert | 6 | 21 | OPI-1800-**-21 | Circlip, Suction Cover | 6 |
| 5 | OPI-1800-**-05 | Valve Body | 6 | 22 | OPI-1800-**-22 | O-Ring, Suction Cover | 6 |
| 6 | OPI-1800-**-06 | Spring | 6 | 23 | OPI-1800-**-23 | Nut, Suction | 3 |
| 7 | OPI-1800-**-07 | Discharge Cover | 3 | 24 | OPI-1800-**-24 | Discharge Flange | 1 |
| 8 | OPI-1800-**-08 | Nut, Discharge | 3 | 25 | OPI-1800-**-25 | Flange Nut | 12 |
| 9 | OPI-1800-**-09 | O-Ring, Seal, Cover | 6 | 26 | OPI-1800-**-26 | Flange Spacer | 12 |
| 10 | OPI-1800-**-10 | Circlip, Discharge Cover | 6 | 27 | OPI-1800-**-27 | Stud | 12 |
| 11 | OPI-1800-**-11 | Spacer | 3 | 28 | OPI-1800-**-28 | O-Ring, Head of Flange | 2 |
| 12 | OPI-1800-**-12 | Header Ring | 3 | 29 | OPI-1800-**-29 | O-Ring, Seal Flange | 2 |
| 13 | OPI-1800-**-13 | Pressure Ring | 6 | 30 | OPI-1800-**-30 | Seal, Discharge flange | 1 |
| 14 | OPI-1800-**-14 | Adapter, Brass, Female | 3 | 31 | OPI-1800-**-31 | Retainer Flange | 1 |
| 15 | OPI-1800-**-15 | Wiper Ring | 3 | 32 | OPI-1800-**-32 | 2" FIG Seal | 1 |
| 16 | OPI-1800-**-16 | Retainer nut, Seal plunger | 3 | | | | |
| | | | | | | | |
| | | | | | | | |
| | | | | | | | |

OLEC-OPI-1800 Pump Plunger Size have 4" 4-1/2" 5", tables ** for Plunger Size.

Parts can be matched with original design and exchanged.

Application: Acidification treatment, high aggregate, high pressure, large displacement and fracturing operation under harsh conditions.



OLEC Engineering technology services

olecets.com

sales@olecets.com

+33 786843374

