

Standalone Breathalyzer



AT319 Coin Operated Alcohol Tester

FEATURES

- Fuel cell sensor-accuracy and reliance
- Pre-calibrated sensor module-easy for maintenance
- AC110V/220V power supply
- Switchable result units(mg/l, g/l, %BAC, ‰BAC)
- Suitable for bar, restaurant, hotel, and night clubs, etc.
- Coin payment only

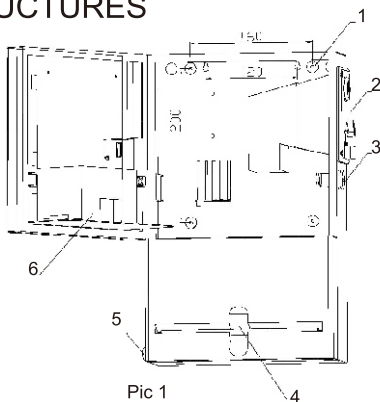
APPLICATION

Bar, hotel, restaurant, factory, workshop, office, hotel, mine, etc.



AT319, Coin operated Breath Alcohol Tester, is designed to measure alcohol concentration in the human body. With advanced fuel cell alcohol sensor, this device has excellent sensitivity and reproducibility. Reasonable and easy testing process, complete function makes it versatile in many occasions.

STRUCTURES



Pic 1

- | | |
|-----------------|-----------------|
| 1 Screw hole | 4 Straw exit |
| 2 Coin selector | 5 On/Off switch |
| 3 Lock | 6 Coin box |

Firstly please find a right place then fix the device on the wall (see Pic 1) by using the bolt packed along with the device. Or the tester can be put directly on the platform for use.

SPECIFICATIONS

Sensor Type	Fuel cell	Display	Four-digit digital tube
Detection Range	0.00 - 0.40%BAC, 0.00-4.00‰BAC 0.00 - 2.00mg/L; 0.00 - 4.00g/L	Power	AC110V-AC220V 50/60HZ
		Working Environment	0°C - 50°C, ≤95% RH, No dews
Accuracy	± 0.005 at 0.05%BAC	Working Time	Continuous
Pre-set Level	0.05%BAC; 0.50‰BAC; 0.25mg/L; 0.50g/L	Dimensions	310mm*141mm*450mm @4500g
Warm-up Time	<10 seconds	Installation	Wall-mounted
Testing Time	< 5 Sec	Payment term	Coins

Welcome to Hanwei !



Standalone Breathalyzer



AT319s Multi-pay Vending Breathalyzer

FEATURES

- Fuel cell sensor-accuracy and reliance
- Pre-calibrated sensor module-easy for maintenance
- AC110V/220V power supply
- Switchable result units(mg/l, g/l, %BAC, ‰BAC)
- Suitable for bar, restaurant, hotel, and night clubs, etc.
- Payment option: coin, credit/debit card, apple pay, NFC payment

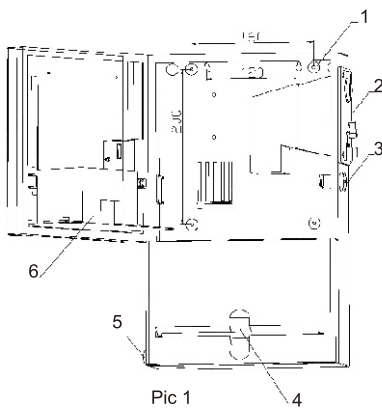
APPLICATION

Bar, hotel, restaurant, factory, workshop, office, hotel, mine, etc.



AT319S is a standalone multi-payment alcohol tester with start of the art design, which adopts advanced changeable fuel cell sensor module that presents professional grade accuracy, superb repeatability and high sensitivity.

STRUCTURES



- | | |
|-----------------|-----------------|
| 1 Screw hole | 4 Straw exit |
| 2 Coin selector | 5 On/Off switch |
| 3 Lock | 6 Coin box |

Firstly please find a right place then fix the device on the wall (see Pic 1) by using the bolt packed along with the device. Or the tester can be put directly on the platform for use.



SPECIFICATIONS

Sensor Type	Fuel cell	Display	7.0-inch touch screen
Detection Range	0.00 - 0.40%BAC; 0.00-4.00‰BAC 0.00 - 2.00mg/L; 0.00 - 4.00g/L	Power	220-250V 50/60HZ
		Working Environment	0°C - 50°C, ≤95% RH, No dews
Accuracy	± 0.005 at 0.05%BAC	Working Time	Continuous
Pre-set Level	0.05%BAC; 0.50‰BAC; 0.25mg/L; 0.50g/L	Dimensions	280mm*140mm*400mm @5500g
Warm-up Time	<10 seconds	Installation	Wall-mounted
Testing Time	< 5 Sec	Payment term	Credit card, NFC, Apple pay, Coins

Welcome to Hanwei !



汉威科技集团股份有限公司
Hanwei Electronics Group Corporation

ADD: No.169 Xuesong Road,National&HighTech Zone,
Zhengzhou 450001, Henan, China P.C: 450001

www.hwsensor.com
TEL: 86-371-67169070 / 80
FAX: 86-371-67169090
E-mail: sales@hwsensor.com



Standalone Breathalyzer



AT319V Coin operated Alcohol Tester

AT319V, coin operated Breath Alcohol Tester with 7" display, is designed to measure alcohol concentration in the human body. With advanced fuel cell alcohol sensor, this device has excellent sensitivity and reproducibility. Reasonable and easy testing process, complete function makes it versatile in many occasions.

FEATURES

- Fuel cell sensor-accuracy and reliance
- Pre-calibrated sensor module-easy for maintenance
- AC110V/220V power supply
- Switchable result units(mg/l, g/l, %BAC, ‰BAC)
- Suitable for bar, restaurant, hotel, and night clubs, etc.
- Coin payment only
- 7" display to show photos, videos, advertisements, etc.

APPLICATION

Bar, hotel, restaurant, factory, workshop, office, hotel, mine, etc.

PHOTO FRAME FEATURE SETUP

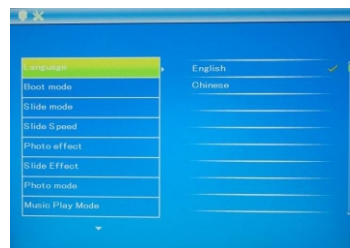


Many of the picture frame functions can be adjusted to your preference. By using the SETUP option from the main menu, the following changes can be made: use the ENTER button and UP/DOWN arrows to change the options.

Function	Description	Video mode	Original. Maximum etc
Languages	Support English, Chinese etc	Display	Contrast, brightness, color, tonality etc
Boot mode	Auto play, music, video, image, calendar etc	Set time/date	Year, month, day, hour, minute, second
Slide mode	Single window, split window, three windows	Set time format	12-hour clock or 24-hour clock
Slide speed	3 sec, 5 sec, 15 sec,30 sec 1 hour	Alarm	The state and mode of alarm clock
Photo effect	Colorful, black, dark brown	Auto power off	Optional
Slide effect	Random shutter, brick etc	Format built-in memory	Optional
Photo mode	Original ,optimization, full-screen	Reset setting	Optional
Music play mode	Re-play one, repeat, re-play all etc	Exit	Return to main screen

PHOTO FRAME MAIN FEATURES

- Create an automatic slide show with multiple transition effects and optional background music.
- Support JPEG format images and play mp3 music with the integrated stereo speakers.
- Play mpeg1, mpeg2 and mpeg4 movie files stored on supported memory cards.
- compatible with many memory cards including, SD, MMC,MS cards, Compact
- Flash as well as USB flash drives.
- Includes a credit card-sized remote control.



SPECIFICATIONS

Sensor Type	Fuel cell	Display	Four-digit digital tube
Detection Range	0.00 - 0.40%BAC, 0.00-4.00‰BAC 0.00 - 2.00mg/L; 0.00 - 4.00g/L	Power	AC110V-AC220V 50/60HZ
		Working Environment	0°C - 50°C, ≤95% RH, No dews
Accuracy	± 0.005 at 0.05%BAC	Working Time	Continuous
Pre-set Level	0.05%BAC; 0.50‰BAC; 0.25mg/L; 0.50g/L	Dimensions	310mm*141mm*450mm @4500g
Warm-up Time	<10 seconds	Installation	Wall-mounted
Testing Time	< 5 Sec	Payment term	Coins

Welcome to Hanwei !



汉威科技集团股份有限公司
Hanwei Electronics Group Corporation

ADD: No.169 Xuesong Road,National&HighTech Zone,
Zhengzhou 450001, Henan,China P.C: 450001

www.hwsensor.com
TEL: 86-371-67169070 / 80
FAX: 86-371-67169090
E-mail: sales@hwsensor.com

AT319 Standalone Alcohol Tester with Nayax Card Reader



Fuel cell sensor-accuracy and reliance
 AC110V/220V power supply
 Switchable result units(mg/l, g/l, %BAC, ‰BAC)
 Card payment & Coin payment

[Chat Online](#)

[Quote Now](#)



Description

AT319, Standby Breath Alcohol Tester, is designed to measure alcohol concentration of people. With advanced fuel cell alcohol sensor module, this device has excellent sensitivity and reproducibility. Reasonable and easy testing process, complete function makes it versatile in many public occasions, such as club, bars, hotel and restaurant.

Features

Fuel cell sensor-accuracy and reliance
 Pre-calibrated sensor module-easy for maintenance
 AC110V/220V power supply
 Switchable result units(mg/l, g/l, %BAC, ‰BAC)
 Card payment & Coin payment

Application

Bar, hotel, restaurant, factory, workshop, office, hotel, mine, etc.

Specifications

Sensor Type	Fuel cell
Detection Range	0.00 - 0.40%BAC, 0.00-4.00‰BAC 0.00 - 2.00mg/L; 0.00 - 4.00g/L
Accuracy	± 0.005 at 0.05%BAC
Pre-set Level	0.05%BAC; 0.50‰BAC; 0.25mg/L; 0.50g/L
Warm-up Time	<10 seconds
Testing Time	< 5 Sec
Display	Four-digit digital tube
Power	AC110V-AC220V 50/60HZ
Working Environment	0°C - 50°C, ≤95% RH, No dews
Working Time	Continuous
Dimensions	310mm X 141mm X 450mm @4500g
Installation	Wall-mounted
Payment term	Card & Coins