

Red Line Product

BOLIN

R9 Series
Indoor PTZ Camera



R9-230H

Redefining The Indoor PTZ Camera Experience

Full HD Pan Tilt Zoom Camera

The R9-230H indoor PTZ camera is equipped with Sony image block with 30x zoom range UHD lens to provide Full HD (1080P60) crystal extreme high-quality color image in tough low light environment and stable image with super image stabilizer to output HDMI, 3G-SDI, Optical SDI, and IP video streaming for ProAV and broadcast application.

R9-230H

KEY FEATURES



- Sony 1/1.18 type CMOS sensor STARVIS II
- 30X zoom range
- Resolution 1080i59.94, 1080p60
- IP Video Resolution: Up to 1080p60
- Video Output: Simultaneous 3G-SDI, HDMI, IP
- SFP Optical SDI video output
- RTSP, RTMP, SRT Supported
- Visca Over IP, Onvif, FreeD, Serial Control Supported
- Extreme Low Light Performance
- Super Image Stabilizer

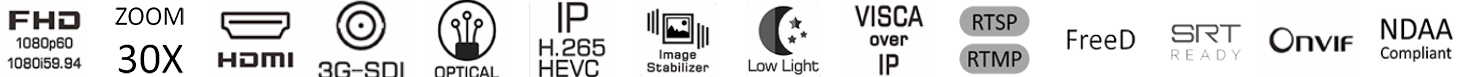


IMAGE MODULE

- The latest Sony new image block that achieves higher visibility by adopting the 8M ultra high resolution lens, 4M image sensor and ISP from Sony.
- 1/1.8 inch STARVIS II sensor
- Enhanced High Resolution image quality
- 30X 8M High Resolution optical zoom lens
- Advanced AF performance
- Wide Dynamic Range (Wide-D)
- Visibility Enhancer (VE)
- Super low light in color performance
- Super image stabilizer

SONY



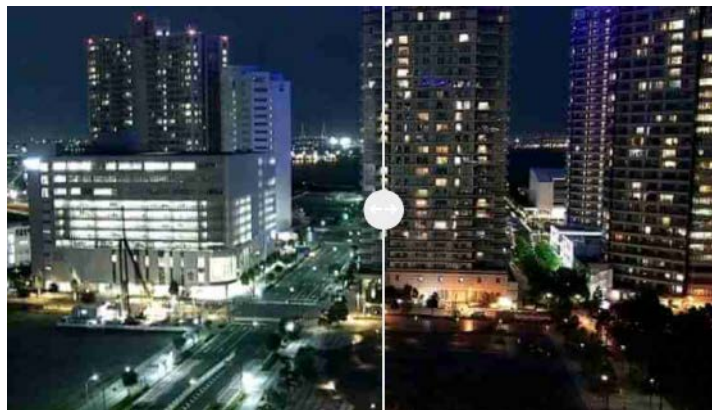
FEATURES

Image Quality Upgraded in Day and Night

The 8M compatible lens, 4M image sensor (1/1.8 type), and ISP all use new devices from Japanese manufacturers. The combination of these three Core technologies provides an overwhelming sense of resolution, and the advanced AF/AE/AWB functions reproduce faithful images even in low-light environments.



High Resolution-Day Light (Pre/New)



High Resolution-Night View (Pre/New)

Super Image Stabilizer

- The camera enables two levels of image stabilization capabilities, super, super+, which provides clear picture/image in vibrating environment use.
- See R9-230H Stabilization Performance video on Bolin's website.



Low Light Performance

- Thanks to the new Sony 1/1.8 type CMOS sensor STARVIS II, the camera performs a great and clean image in extreme low light condition in color, and even with ICR on in color.
- See R9-230H image performance video on Bolin's website.



FEATURES

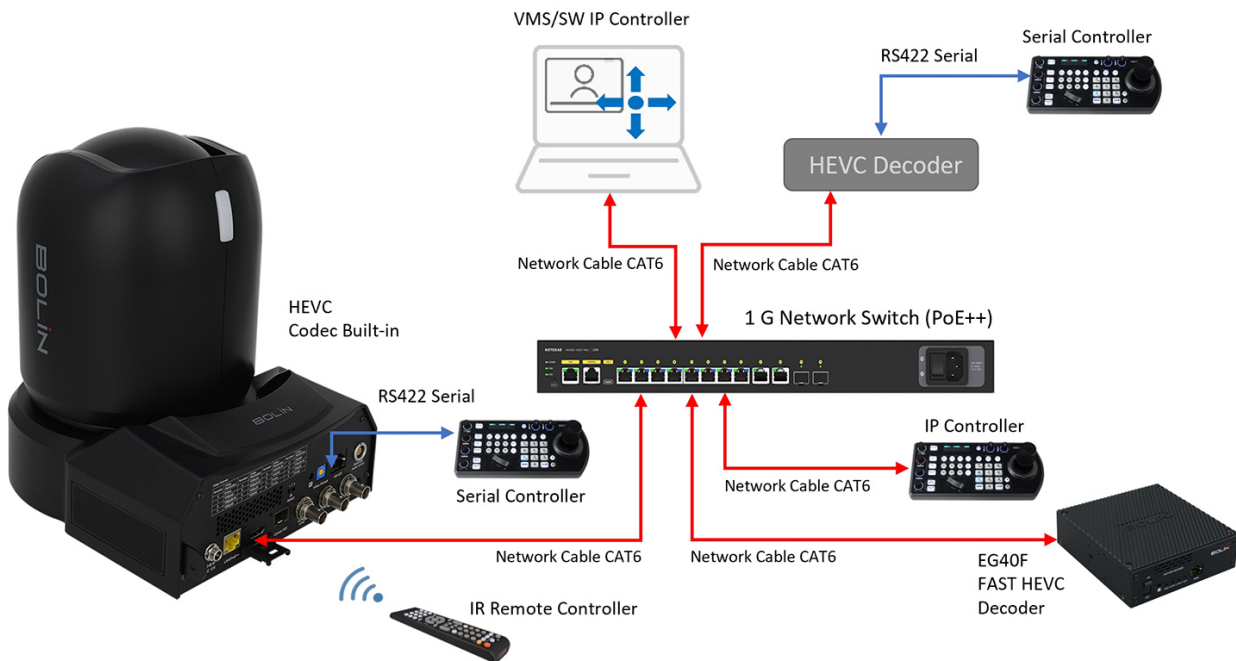
FreeD Protocol Integrated for VR/AR Video Production

FreeD helps provide all the axis data needed for a Bolin PTZ camera to intelligently and smoothly pan, tilt, and zoom while following designated objects and people. Broadcasters can combine Bolin's FreeD-enabled PTZ cameras with available, sophisticated software to automate complex camera operations with spectacular results. It is especially useful for virtual live video productions with baseband video feeds and, with Bolin PTZ cameras, with ultra-low latency AV Over IP streaming



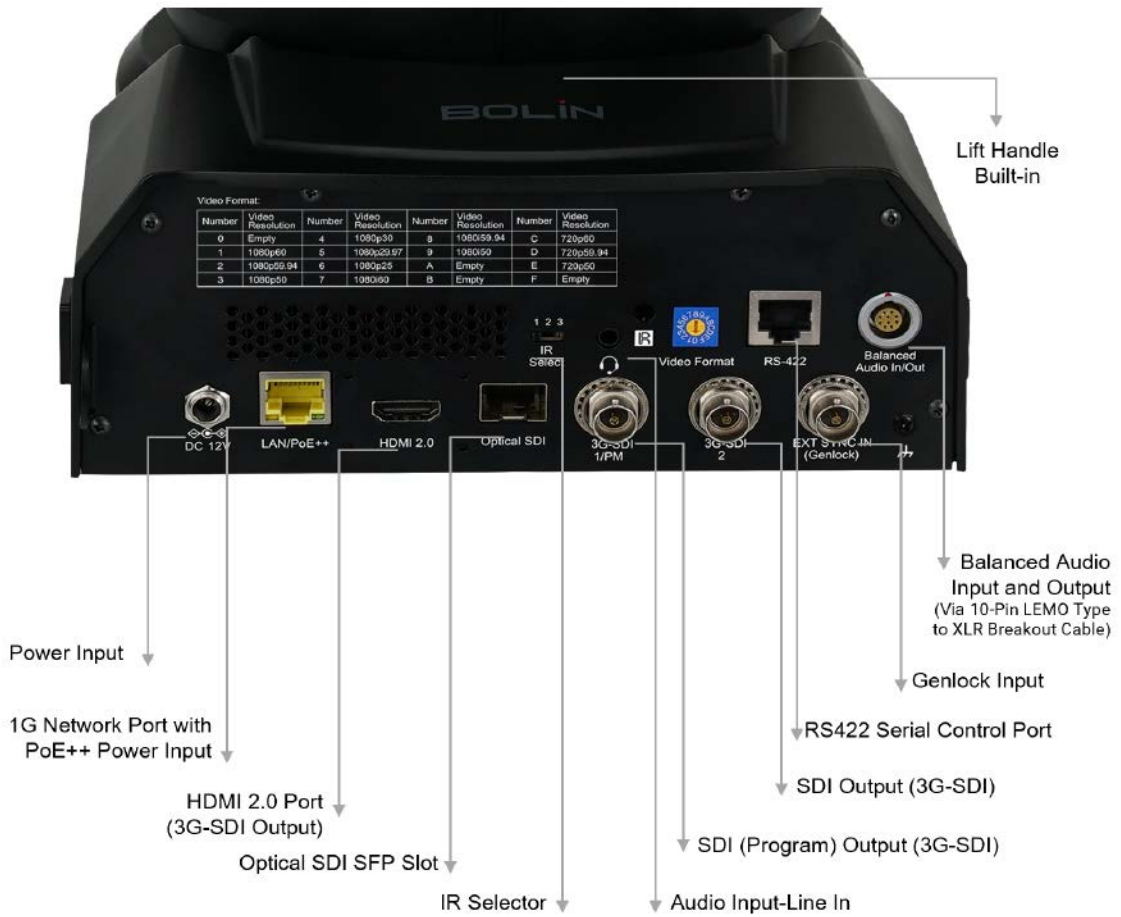
Various Control Methods

- IP Control, Serial Control, IR Remote Control, Rest API-Software Control
- Protocol Supported: VISCA Over IP, ONVIF, VISCA, PELCO P/D, FreeD



- Dual 3G-SDI
- HDMI 1.4
- Full HD IP Streaming - AVC/HEVC
- SFP Optical SDI
- FreeD
- NDAA Compliant
- External Synchronization Genlock
- Audio embedded with all video output
- XLR broadcast audio input/output
- On-screen character generator
- Lifting Handle built-in

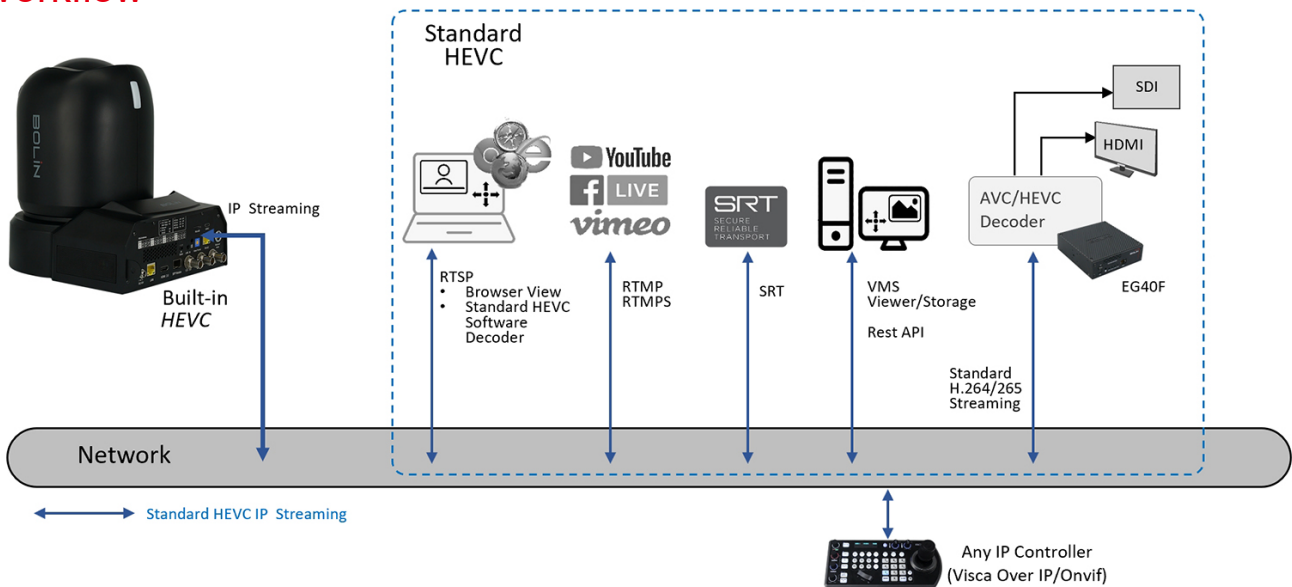
OUTPUT



R9-230H Output Interface

Dual 3G-SDI	HDMI 1.4	SFP Optical SDI	Genlock
Full HD IP Streaming(HEVC)	RTSP, RTMP, RTMPS, SRT	True Dual-Output	FreeD
All Video with Audio Embedded	XLR Broadcast Audio Input	On-screen Character Generator	Serial/IP Control

IP Workflow



Full Broadcast SDI Format and Standard

Full Format

1920x1080P 60/59.94/50/30/29.97/25/24/23.98
1920x1080i 60/59.94/50
1280x720P 60/59.94/50

SDI Standard

SMPTE 292M
SMPTE 296M (1.5Gb/s)
SMPTE 424M
SMPTE 274M
SMPTE 425-A (3Gb/s)
With SMPTE352 SDI Metadata Supported

IP Video Streaming Format

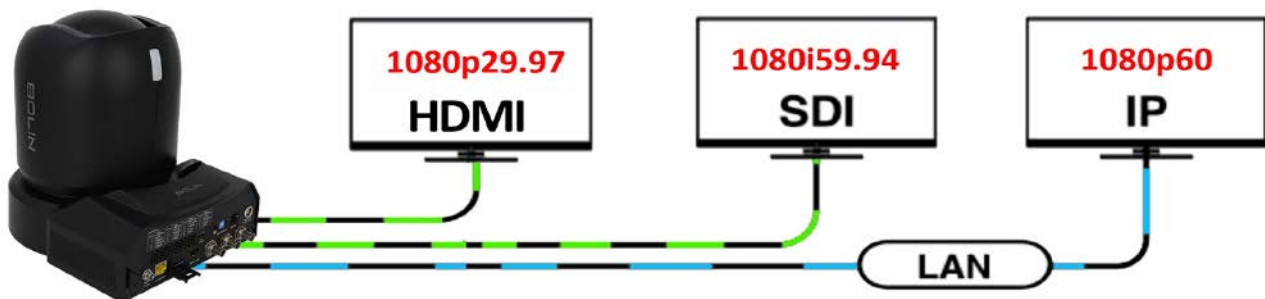
1920x1080P 60/59.94/50/30/29.97/25;
1280x720P 60/59.94/50

CODEC - IP STREAMING

- Stand AVC/HEVC, H.264/265
- Up to Full HD 1080p60
- Dual stream, Multicast Support
- RTSP, RTMP, RTMPS, SRT, ONVIF
- IP Control protocol: Visca Over IP, Onvif
- Software Decode and Hardware Decode

True Tri-Output

Simultaneously output SDI, HDMI, and IP, which can be set to independent formats for different application use. (The image shows video format model specific)

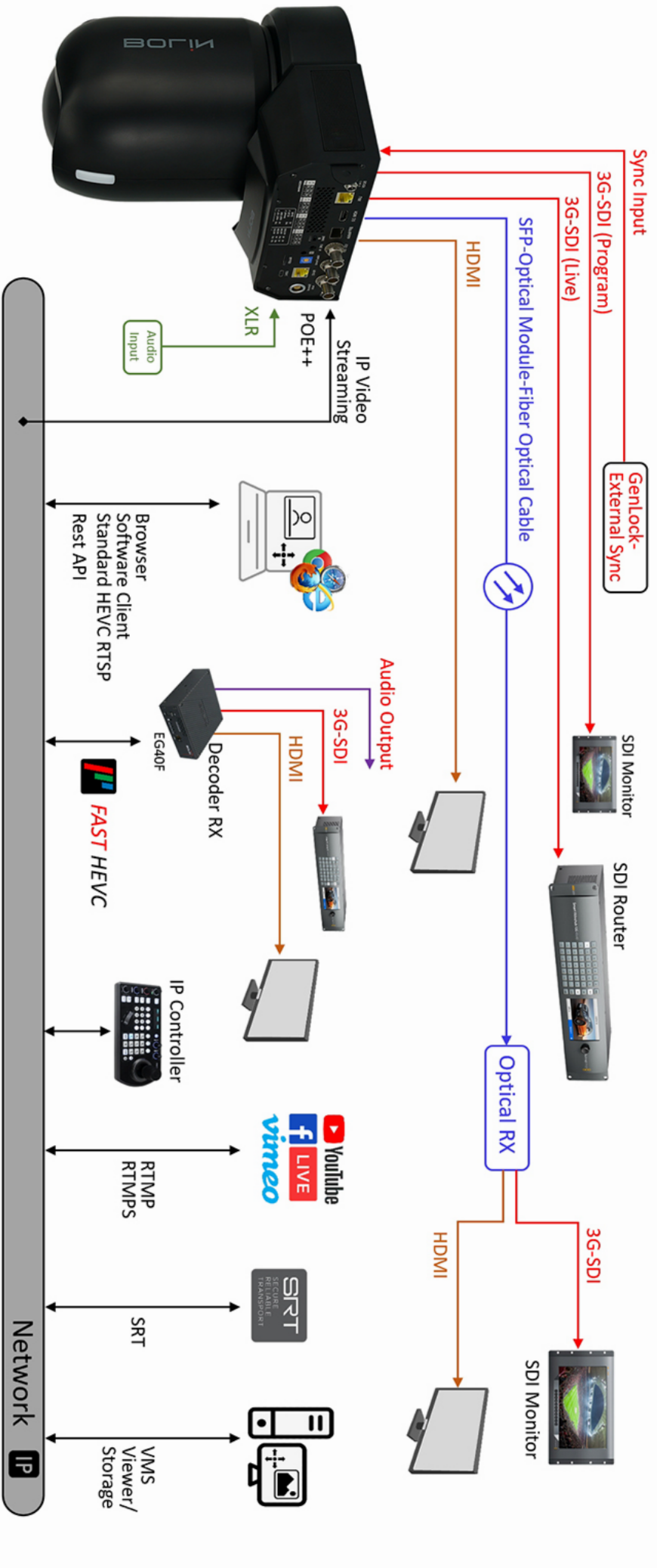


NDAA COMPLIANT



NDAA Section 889 Statement of Compliance: Bolin certifies it does not and will not provide “covered telecommunications equipment or services” or products containing “covered telecommunications equipment or services” complying with Section 889(a)(1)(B) of the National Defense Authorization Act (NDAA) for the Fiscal Year 2019 as a part of its offered products or services to customers.

WORKFLOW



*Genlock Input On Decoder is model specific

MOVEMENT

Smooth and Accurate Movement

- PAN: 340° (-170° to +170°); Fully proportional speed 0.01° to 70°/s
- TILT: 120° (-30° to +90°); Fully proportional speed 0.01° to 60°/s
- Preset: 255 positions, Speed 70°/s, 0~5 Level Adjustable, Accuracy: 0.1°
- Picture Profile Preset
- Motionless Preset
- PTZ Trace Memory
- Quiet - Less than NC35



FEATURES

- On-screen character generator
- All firmware upgrade via IP
- Front and Rear Tally Light
- POE++ and 12VDC/AC
- Built-in handle
- Genlock
- HDMI cable secure mount
- Available Color: Black / White



Move, with you

- Industry-First unique portable body design
- Facilitates your video production installation.

Move • With You



SPECIFICATIONS

Model	R9-230H
Codec	Standard AVC/HEVC
Camera Image	30X Full HD
Image Maker	Sony
Image Sensor	CMOS image sensor 1/1.8 type STARVIS 2 sensor
Number of effective pixels	2712 x 1538, 4.17MP
Picture elements	2688 x 1520, 4.09MP
Lens	Enhanced optical zoom 30X
Digital Zoom	12X
Horizontal Angle of View	58.1° (Wide) - 2.3° (Tele),
Vertical Angle of View	34.9° (Wide) - 1.7° (Tele),
Focal Length	f= 6.5 mm (WIDE) to 162.5 mm (TELE)
Min. object distance	100mm (Wide), 1200mm (Tele)
Aperture	F1.6 (Wide) to F4.8 (Tele), 16 steps
Min. Illumination	ICR-Off, 0.009 lx (1/30 sec, 50%, High Sensitivity On); ICR-On, 0.00008 lx (1/30 sec, 50%, High Sensitivity On)
Shutter Speed	1/1 sec to 1/10000 sec (22 steps)
Focus	Auto, Manual, One Push Trigger, Full Scan one push trigger, Near Limit, Spot Light Avoidance, Spot Focus
White Balance	Auto, ATW, Indoor, Outdoor, One Push WB, Manual, Outdoor Auto, Sodium Vapor Lamp Auto, Sodium Vapor Lamp, Sodium Vapor Lamp Outdoor Auto
Exposure	Full Auto, Gain Limit Setting, Shutter Priority, Iris Priority, Manual, EV Compensation
Features	High Sensitivity, Backlight Compensation, HLC, E-FLIP, Mirror, Day/Night
WDR	Yes
Image Stabilizer	Yes, Super, Super+
Color Gain	Yes, (0-255)
Color Hue	Yes, (0-255)
Gamma	Standard / Straight gamma
Color Matrix	Yes
Noise Reduction	On/Off (level 5 to 1 / Off, 6 steps), 3D / 2D
S/N Ratio	≥50db
HLC	Yes
E-Flip	Yes
Privacy Zone Masking	-
Defog	Yes, (off, low, mid, high)
High Sensitivity	Yes
AE Speed	Yes
Day/Night	Yes
Backlight Compensation	Yes
Low Latency Mode	Yes
Mechanical	
Pan Movement	PAN: 340° (-170° to +170°); Fully proportional 0.05° to 70°/s
Tilt Movement	TILT: 120° (-30° to +90°); Fully proportional 0.05° to 60°/s
Speed Proportional	Pan/Tilt Speed proportional to zoom range
Preset Position	255 positions, Speed 60°/s, 0~5 Level Adjustable, Accuracy: 0.1°
Preset Memory	Picture Profile Preset-Preset Memory for image parameters: Backlight Compensation, White Balance, Auto Exposure, Bright, Iris, Shutter, Gain, Aperture, Effect, Noise Reduction, Mirror, Gamma, Ex-COMP, Color Hue, Contrast etc.)
Motionless Preset	YES, ON/OFF
PTZ Trace Memory	YES, 4
Cruise	YES, 12
Quietness	NC35 Compliant
Home Position	Yes
FreeD	Yes, FreeD protocol for AR/VR camera tracking, via IP
Environmental	Indoor
Interface	
HDMI Video Output	HDMI 1.4 Type A
SDI Video Output	3G-SDI, 75Ω BNC x 2, SDI Clean / SDI PM for output having OSD display
SDI Optical Fiber Output	Optical SDI SFP module support up to 12G-SDI (Module Excluded). Detachable slot, Connector: Duplex LC (optional via ST, LC or SMPTE) Laser Unit: Single-mode 1,310nm DFB-LD transmitter and PIN receiver Compliant with MSA SFP+ Specification SFF-8402.
Network LAN Port	RJ45X1, Standard 10M/100M/1000M Base-TX Ethernet, LAN connector for IP control/video output/audio output/System FW
Synchronization System	Internal/External synchronization (BBS/Tri-level sync)
External Sync Input	Genlock, BNC connector, BBS (Black Burst Sync), tri-level sync supported
Audio Input	Balanced XLR (Hirose Connector via Atomos 10-Pin LEMO Type to XLR Breakout Cable) with 48V Phantom power 3.5mm TRRS for bidirection audio intercom (Preserve)
Audio Output	Balanced XLR (via 10-Pin LEMO Type to XLR Breakout Cable), embedded with HDMI, SDI, and IP (Input Only) 3.5mm TRRS for bidirection audio intercom (Preserve)
Tally Light	Red, Green Color/Front and Rear
Dip Switch	Video Resolution Dip Switch x1
System Firmware Upgrade	Upgrade via IP for camera system MCU, FPGA and Encoder
Power Connector Type	INPUT: DC12V, connect with screw secure (Type - 5.5mm×2.1mm Male DC Power Plug Connector & Screw Lock Female INPUT: RJ45, PoE++ (IEEE802.3bt)
Control Interface	RJ45X1-RS422, RJ45X1-IP Control, IR Remote Control
Control Protocol	Serial: VISCA, PELCO P/D; IP: VISCA Over IP, ONVIF; FreeD

SPECIFICATIONS

Model	R9-230H
HDMI Video Signal System	
HDMI Video Format	1920x1080P 60/59.94/50/30/29.97/25/24/23.98 1920x1080i 60/59.94/50 1280x720P 60/59.94/50
Color Precision	12bit(HDMI), YUV4:2:2
Color Space	YUV, RGB
OSD Menu Display	Yes
On-Screen Title	Yes, video embedded On-Screen title character generator; Image/Logo Insert Screen Display with IP Image Stream
SDI Signal Format	
SDI Video Output	3G-SDI, Standard 75 Ω (BNC x 1)
SDI Video Format	1920x1080P 60/59.94/50/30/29.97/25/24/23.98 1920x1080i 60/59.94/50 1280x720P 60/59.94/50
Color Precision	10bit(SDI), YUV 4:2:2
Color Space	YUV
Standard	SMPTE 292M, SMPTE 296M (1.5Gb/s), SMPTE 424M, SMPTE 274M, SMPTE 425-A(3Gb/s) with SMPTE352 SDI Metadata Supported
True Dual Output	HDMI and SDI signal can be output with different format
OSD Menu Display	Yes
On-Screen Title	Yes, video embedded On-Screen title character generator
Network	
Video Compression	MJPEG,H.264/H.265 by SoC
IP Resolution/Frame Rate	1920x1080P 60/59.94/50/30/29.97/25; 1280x720P 60/59.94/50
True Dual Output	IP, HDMI, and SDI signal can be set with different format
IP Protocols	TCP/IP, ICMP, ARP, RTP, UDP, HTTP, DNS, DHCP, FTP, NTP, SRT
Application Protocols	RTMP(S), RTSP, RTSP Encryption, SRT, MPEG-TS over UDP, MPEG-TS over RTP
Color Format	-
Multi-stream	2 stream
Audio Compression	AAC-LC Broadband Audio Encoding(Duplex Communicate Supported, Audio/Video synchronization)
OSD	Customized OSD
Compatible Integration	ONVIF2.4 (Profile S), VISCA Over IP
Bandwidth	1Mbps - 100Mbps
Latency (Overall latency may increase depending on network configurations)	< 150ms glass to glass at 1080p60
Browser Support	Cross Browser Compatibility - HTML5 support for Microsoft Edge, Google Chrome, Firefox, and Safari
General	
Operating Temperature	-10 °C to 50 °C (14°F to 122°F)
Operating Humidity	≤80% Suitable for Use (no condensation)
Power Input	DC12V, PoE++(IEEE802.3 bt Type 3 Calss 5)
Power Consumption	Min: 26W (Static state with no movement) Max: 31W (Fully loaded operation)
Installation Method	Stand-alone (Upright) or suspended (Pendent) or Tripod
Mount	Ceiling mount, Wall mount, Tripod
Handle	Built-in for portable use application
Size of Tripod Screw Hole	1 x 1/4" safety bond point
Body Color	Black, White
Dimension-Camera	201*253*249mm(W*D*H), 201*253*256(with feet mats)
Net Weight	3.8kg (8.36lb)
Accessories Included	IR Remote controller x1, Power adapter and power cord (US, EU, UK), Mounting screws x3, RJ45 to RS422 Extension cable
Certificate	CE, FCC, IC, UKCA, ROHS, WEEE

ACCESSORIES

Items marked * are optional to purchase



VCC-RC-2
IR Remote Controller



R9-PS
12VDC 4A Power Adapter



EG40F
*FAST HEVC Decoder



C-PMSB
*Pendant Mount for Drop Ceiling
/Hard Surface Ceiling



C-WM3B
*Wall Mount Bracket-Size 3



C-WM3B-CV
*Wall Mount Cover-Size 3



C-WPLB
*Wall Mount Plate



BL-CM-01
*Ceiling Mount Bracket



BL-PP97
*97W POE POWER INJECTOR



BLA-10
*LEMO connector
10Pin Mini to XLR L/R In/Out



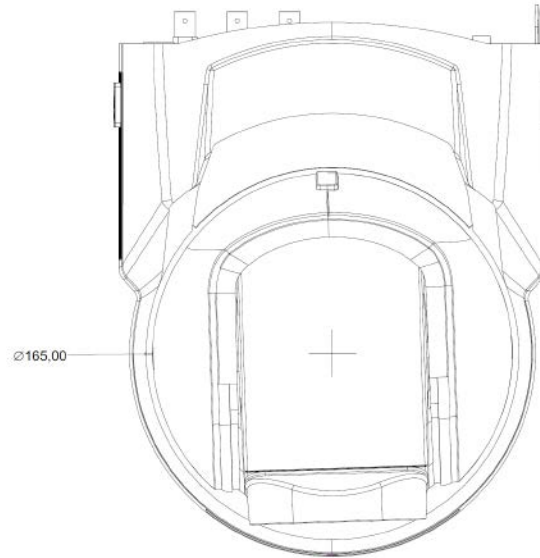
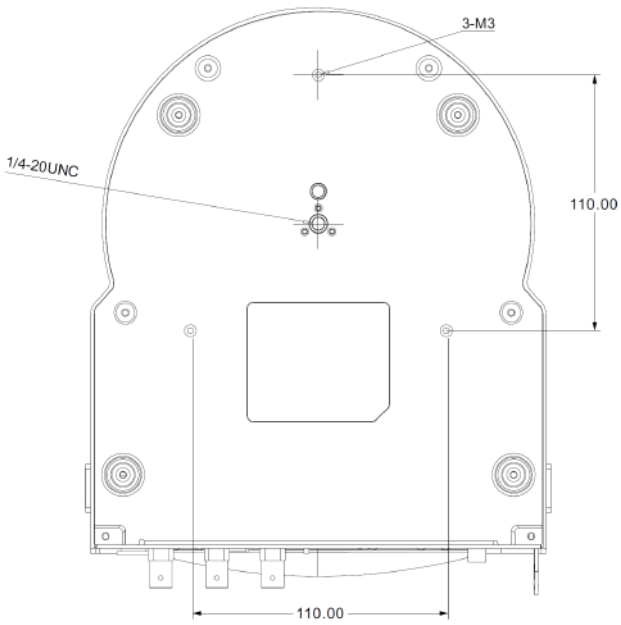
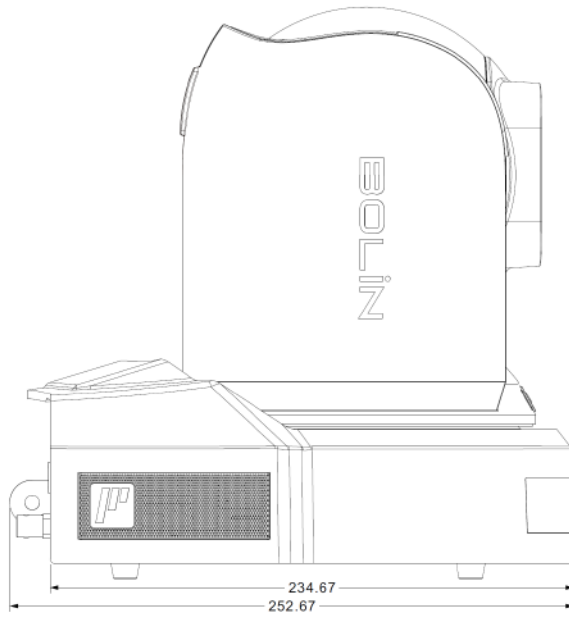
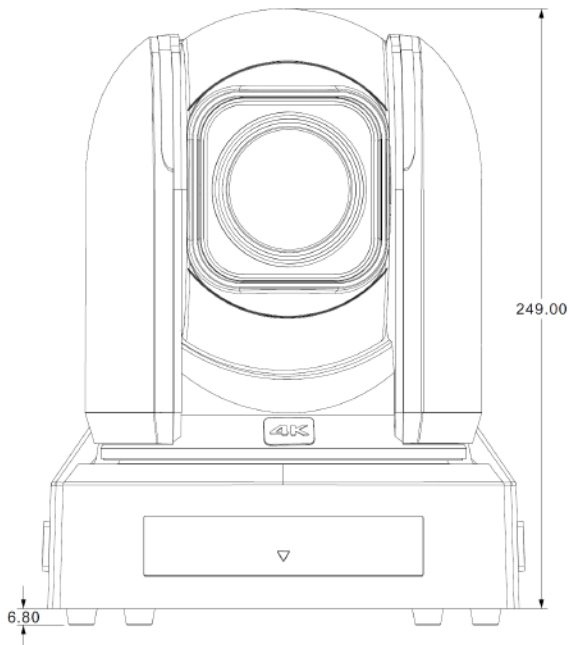
B-OSM-12
*Optical SFP Module Transceiver
12G-SDI

ORDER INFORMATION

- Visit Bolin Technology Website

DIMENSIONS

Unit: mm



All models and specifications are subject to change without notice.
All brand names and registered trademarks are the property of their respective owners.