

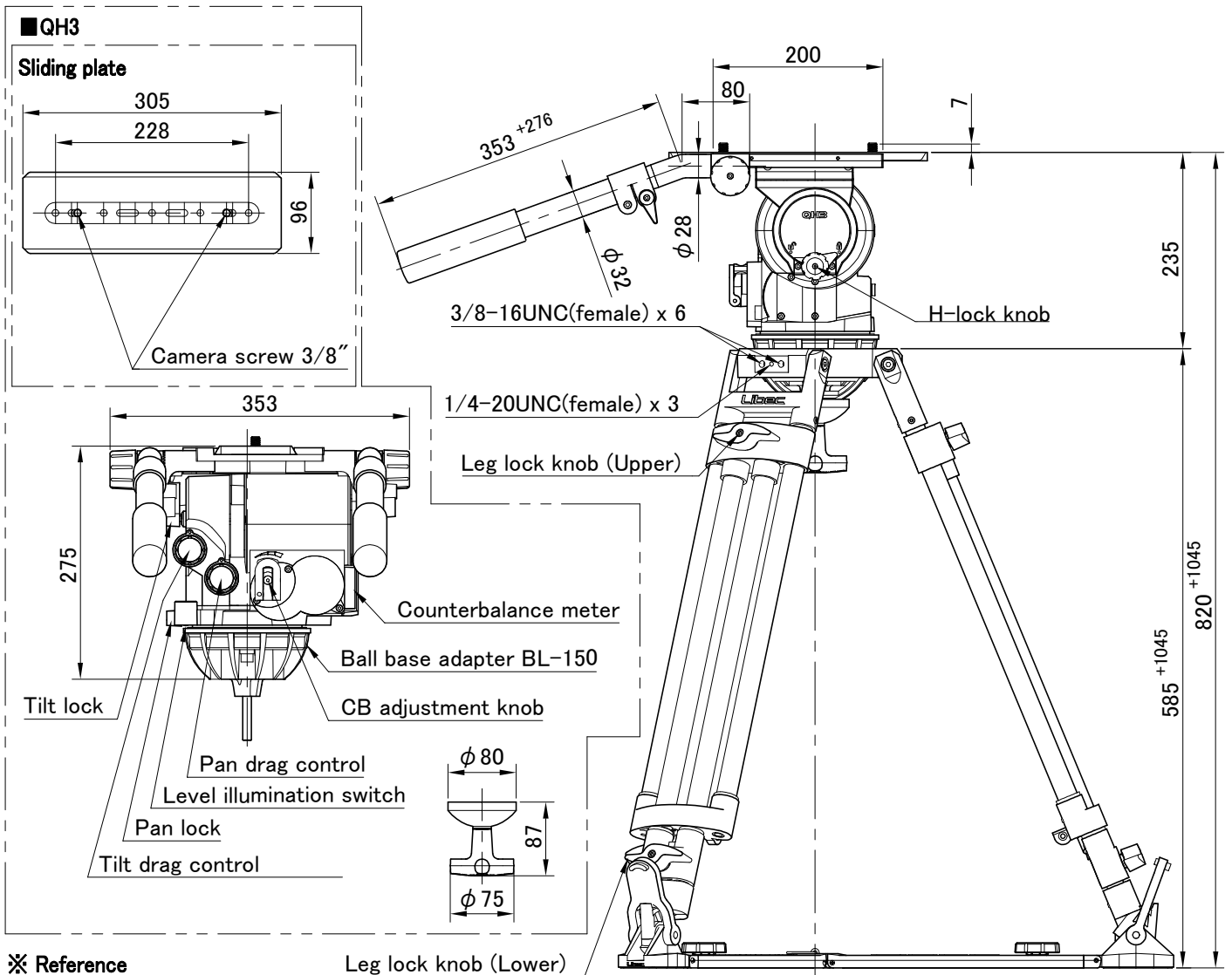
System	QH3 (Head) + T150B (Tripod) + SP-15B (Floor spreader)		
Payload	69 kg / 152.1 lb	Tilt angle	+90° / -70° (Limited to ±40° with maximum counterbalance)
Weight	21.6 kg / 47.6 lb	Pan angle	360°
Height	① H : 1865 mm W : 756 mm (※Reference)	Counterbalance	Range : 28 ~ 65 kg / 61.7 ~ 143.3 lb (C.G.125 mm)
	② H : 820 mm W : 1130 mm (")		System : Continuous
Folded length	③ L : 1025 mm (")	Drag mode	7 STEP
Camera plate (Sliding range)	Sliding plate	Temperature range	-20 °C ~ +60 °C / -4 °F ~ +140 °F
	±75 mm / ±2.9"	Ball diameter	φ150 mm
Plate attachment	3/8-16UNC × 2	Section	2 STAGE (Material : Aluminum)
	—	Tripod fixation	Fixing lock knob
Spare screw	3/8-16UNC × 2	Spreader	SP-15B (Telescopic , Removable)
	—	Pan handle	PH-15B × 2

Remarks

Outside diameter of pipe

Upper : φ24 / Middle : φ24 / Lower : φ20

■ Exterior Dimensions (mm)



※ Reference

