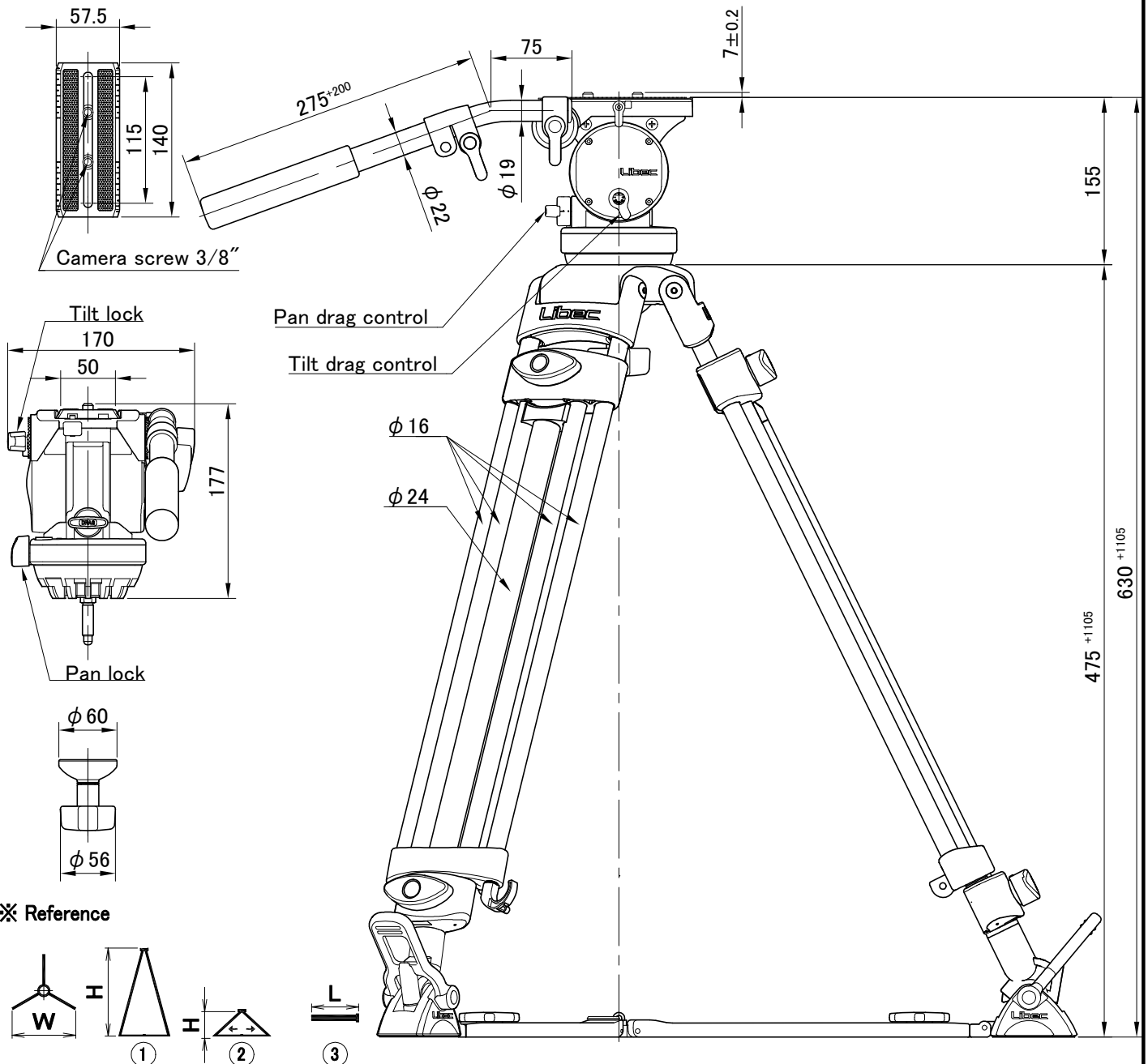


<b>System</b>	H65B ( Head ) + RT50B ( Tripod ) + SP-2B ( Floor spreader ) + RC-50 ( Carrying case )		
<b>Payload</b>	16 kg / 35.3 lb	<b>Tilt angle</b>	+85° / -65°
<b>Weight</b>	7.6 kg / 16.8 lb	<b>Pan angle</b>	360°
<b>Height</b>	① H : 1735 mm W : 710 mm ( ※Reference )	<b>Counterbalance</b>	FIX
	② H : 630 mm W : 1100 mm ( " )	<b>Drag mode</b>	Both tilt and pan 2 STEP
<b>Folded length</b>	③ L : 895 mm ( " )	<b>Temperature range</b>	-20 °C ~ +60 °C / -4 °F ~ +140 °F
<b>Camera plate (Sliding range)</b>	Sliding plate	<b>Ball diameter</b>	φ 100 mm
	±50 mm / ±2"	<b>Section</b>	2STAGE ( Material : Aluminum )
<b>Plate attachment (Screw sliding range)</b>	3/8-16UNC screw	<b>Tripod fixation</b>	Fixing lock knob
	100 mm / 4"	<b>Spreader</b>	SP-2B ( Telescopic , Removable )
<b>Spare screw</b>	3/8-16UNC screw	<b>Pan handle</b>	PH-8B
	Equipped on the top of the head ( beneath sliding plate )	<b>Case material</b>	Nylon

Remarks

■ Exterior Dimensions (mm)



※ Reference

