

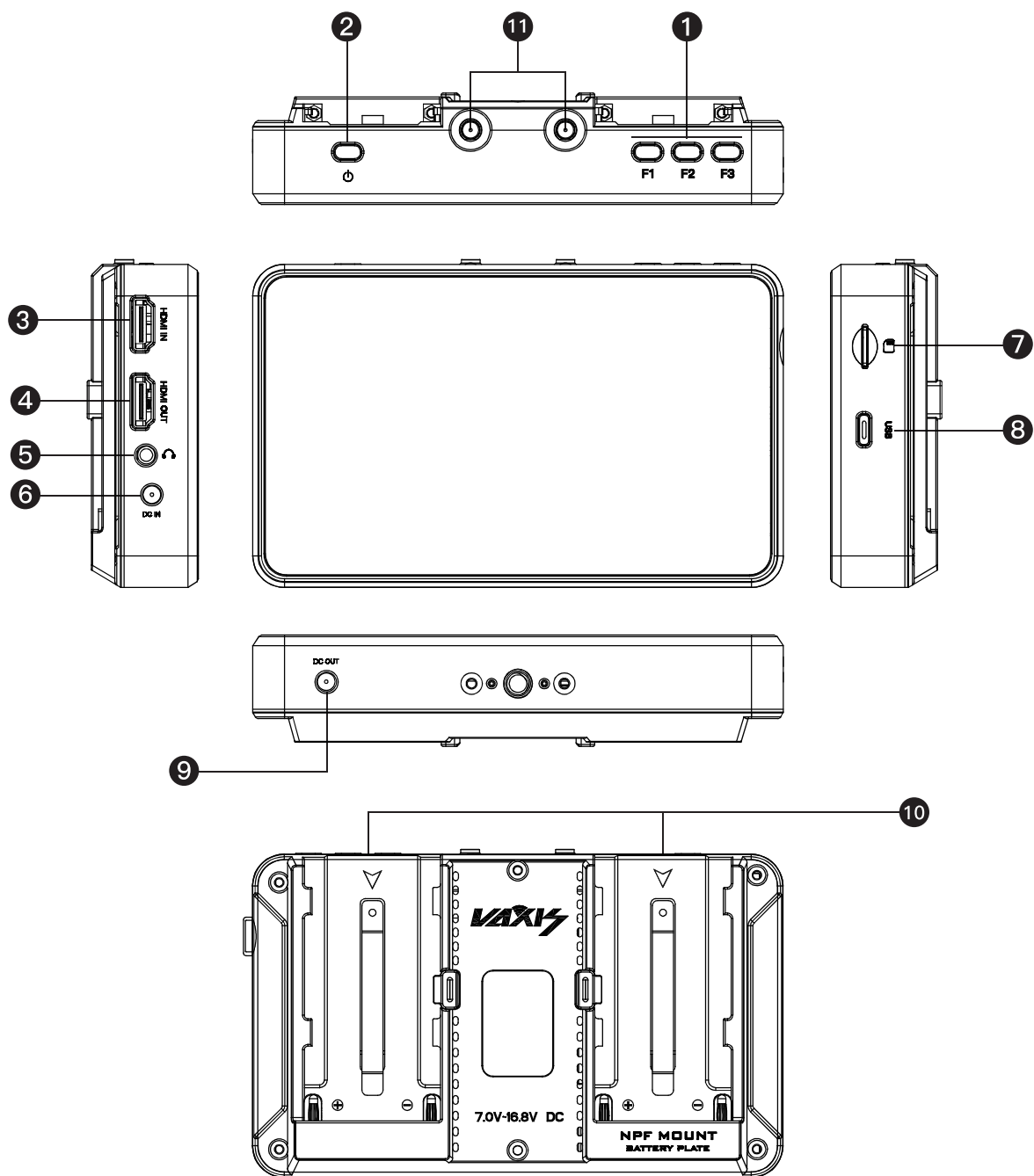


# 威固·原子A5 5寸无线监视器

## 快速入门指南

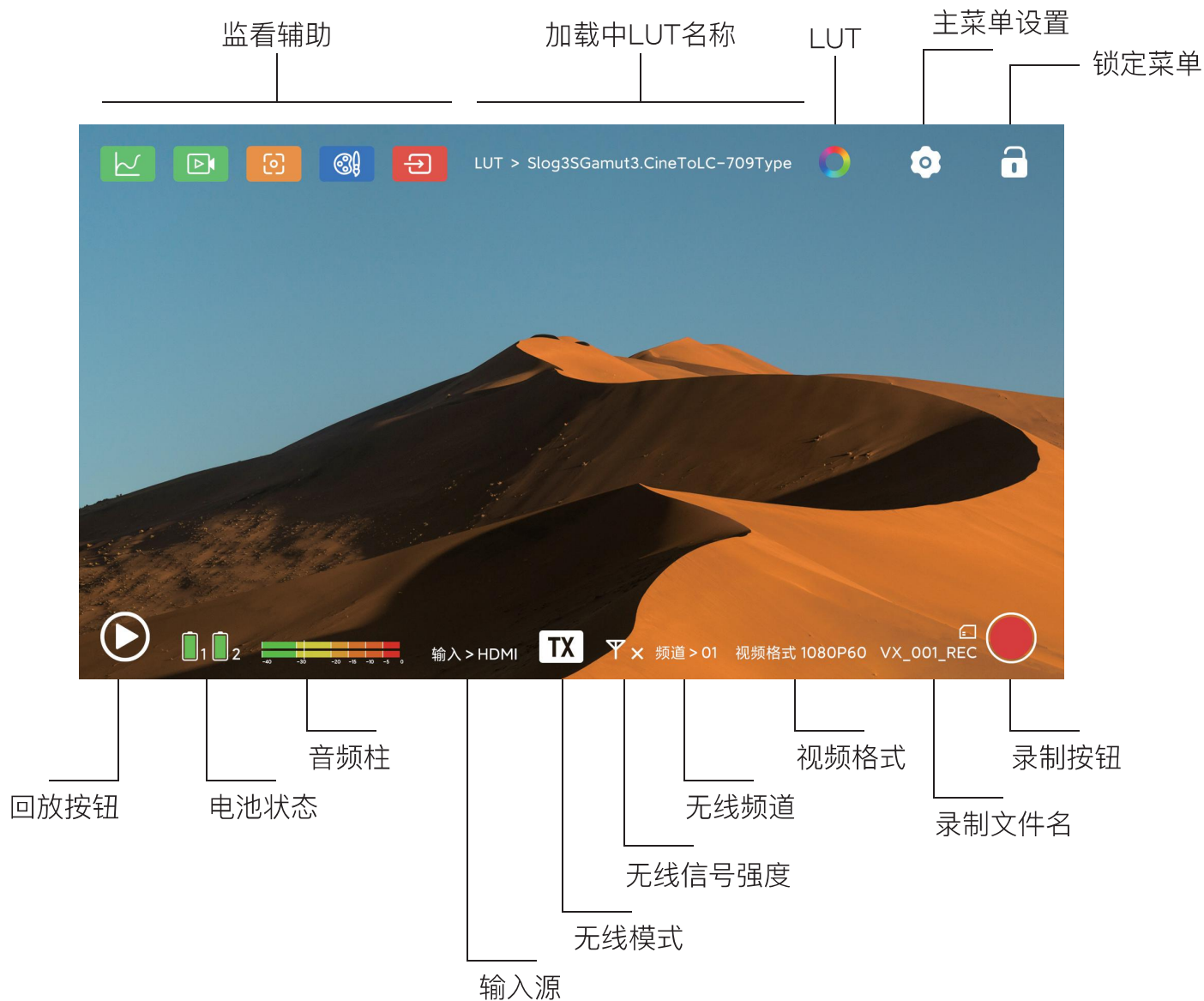
WWW.VAXIS.CN | 400-014-7080

## 产品接口



- |            |                |            |           |
|------------|----------------|------------|-----------|
| 1 快捷键      | 2 电源按钮         | 3 HDMI输入   | 4 HDMI输出  |
| 5 3.5mm耳机孔 | 6 DC输入         | 7 TF卡插槽    | 8 USB-C接口 |
| 9 DC输出     | 10 NPF-970电池扣板 | 11 SMA天线接头 |           |

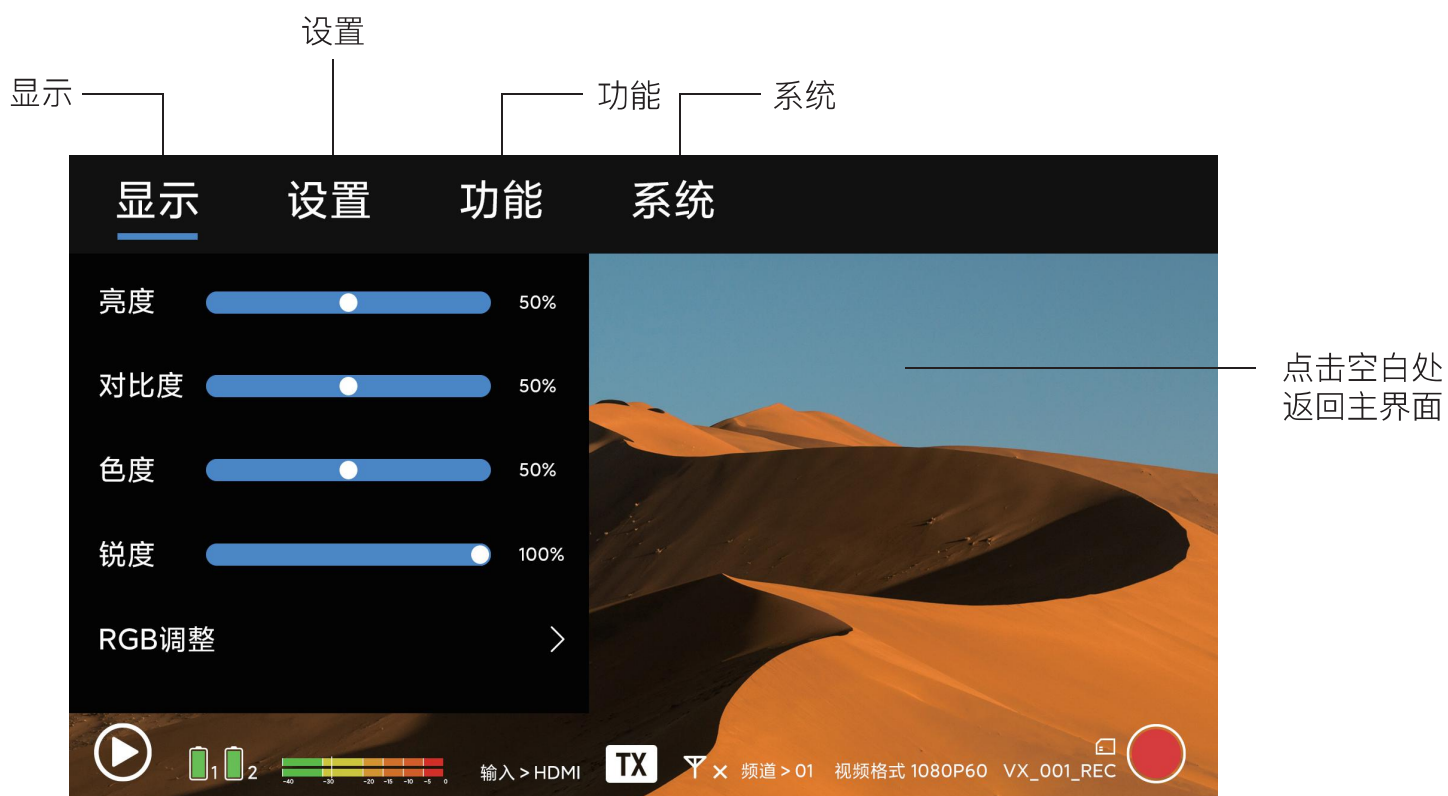
# 用户界面



## 常用按钮



## 主菜单



## 发射器与接收器切换



选择信号菜单-无线选择界面，根据需求切换TX（发射模式）或RX（接收模式）即可，在底部状态栏会显示当前状态。

## 录制与回放



**\*.录制需插入TF卡**

单击右下角录制，既可录制当前画面。



## 录制与回放



## LUT加载



将LUT文件放入TF卡中（LUT格式为\*.cube，支持17x17x17和32x32x32格式）选择导入按钮

## LUT加载



选择TF卡内LUT点击导入，提示导入中即可覆盖当前所在的LUT快捷键，如当前未选取LUT快捷键，将会载入机内（机内最多能保存50个LUT）。



删除可删除机内LUT，但是快捷键上的LUT文件无法删除，需恢复出厂设置，或选择新的LUT进行覆盖。TF卡内的LUT同样无法删除，只能选择格式化内存卡。

## APP下载使用

1、在各大应用商城搜索 Vaxis Vision 即可下载IOS、Android、IpadOS版本应用



应用宝  
华为应用商城  
小米应用商城  
Oppo应用商城



- 1.打开App，连接设备，选择扫码连接
- 2.在A5的信号源选择菜单内点无线信息
- 3.扫描A5二维码即可连接

## APP监看开关方式



进入设置-系统信息界面，选择无线信息。手机app打开连接设备，选择扫码连接，扫描监视器上弹出的二维码即可连接。



## 配对方式



进入信号菜单-无线信息界面，单击配对按钮即可配对。发射或者接收模式下配对方式一致，提示配对成功即可。



二维码后显示未配对，则表示当前A5重置后从未进行配对，如果显示已配对，证明曾经有一台设备对起进行过配对。

## 固件升级

将要升级的固件包放入TF的根目录中，TF格式为FAT-32，打开设置-系统-软件升级，若有提示是否进行软件升级，便成功读取了固件包。点击是即可进行固件升级。

## 规格参数

|            |  |
|------------|--|
| 接口         | DC电源输入, DC电源输出,<br>HDMI输入, HDMI输出,<br>3.5mm耳机输出, Type-C接口, 3.5mm-IR输入接口                        |
| 供电         | NPF970/DC12V   |
| 屏幕尺寸       | 5.5寸触摸   |
| 屏幕分辨率      | 1920*1080 pixels   |
| 屏幕最高亮度     | 1000cd/m <sup>2</sup>  |
| 对比度        | 1200: 1  |
| 输入视频格式     | 1920*1080P 60/59.94/50/30/29.97/25/24/23.98<br>1920*1080I 60/59.94/50<br>1280*720P 60/59.94/50 |
| 输出视频格式     | 1920*1080P60/50/30/25/24<br>1920*1080I60/50<br>1280*720P60/50                                  |
| 支持的音频采样    | 48KHz  |
| 重量         | 48g  |
| 尺寸         | 151*92*30.5mm  |
| DC对外最大输出功率 | 8.5V/0.6A  |
| 传输频段       | 5.1G-5.8G  |
| 发射功率       | 17dBm  |
| 传输延时       | 80ms, 干扰环境下120ms   |
| 接收灵敏度      | -80dBm   |

www.vaxisglobal.com



湖南光魔科技有限公司  
GMCINE Technology Co., Ltd.  
电话: +86400-014-7080



威固官方网站



微信公众号



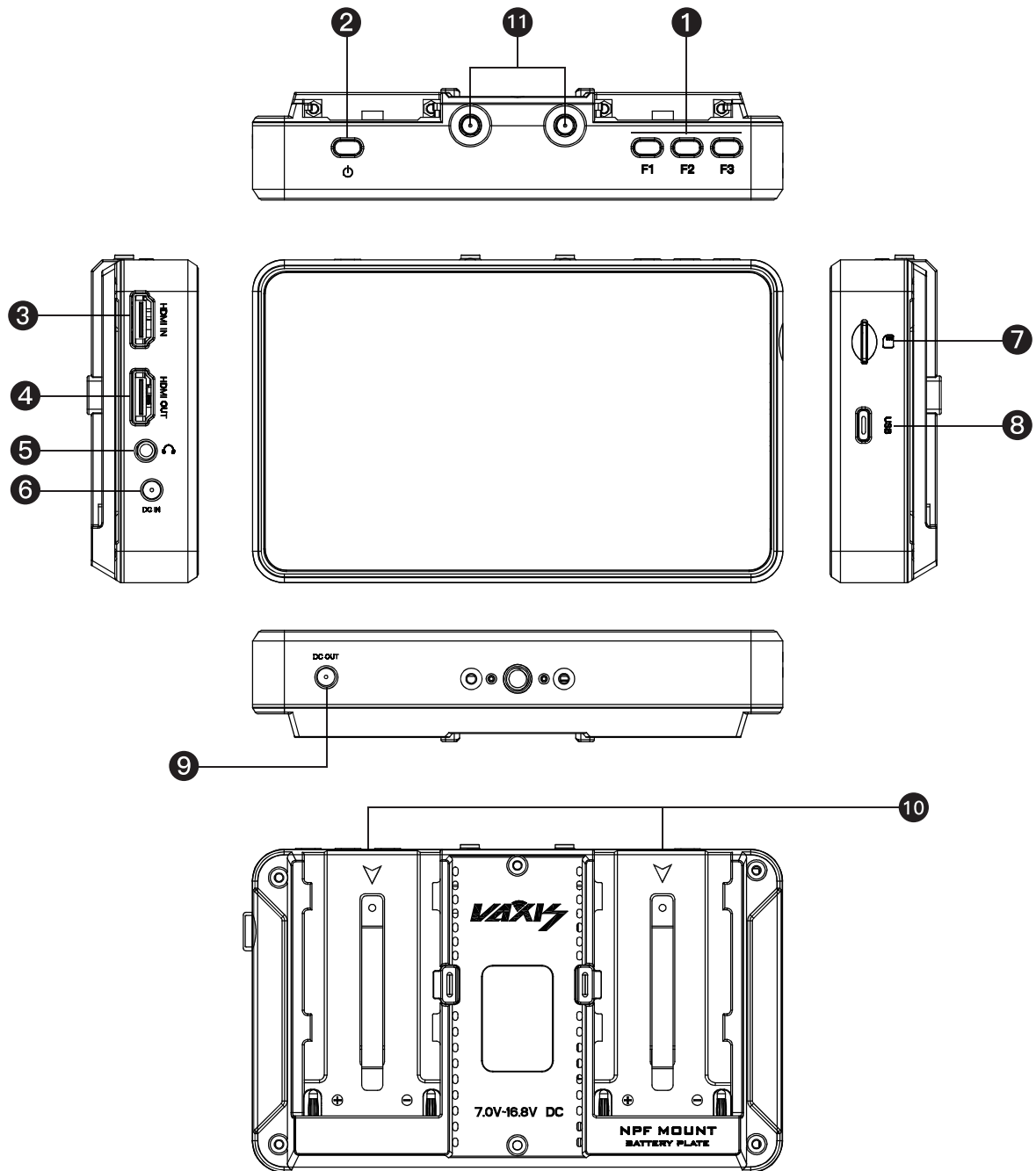
# VAXIS-ATOM A5 WIRELESS MONITOR

## Guide Book

[www.vaxisglobal.com](http://www.vaxisglobal.com)

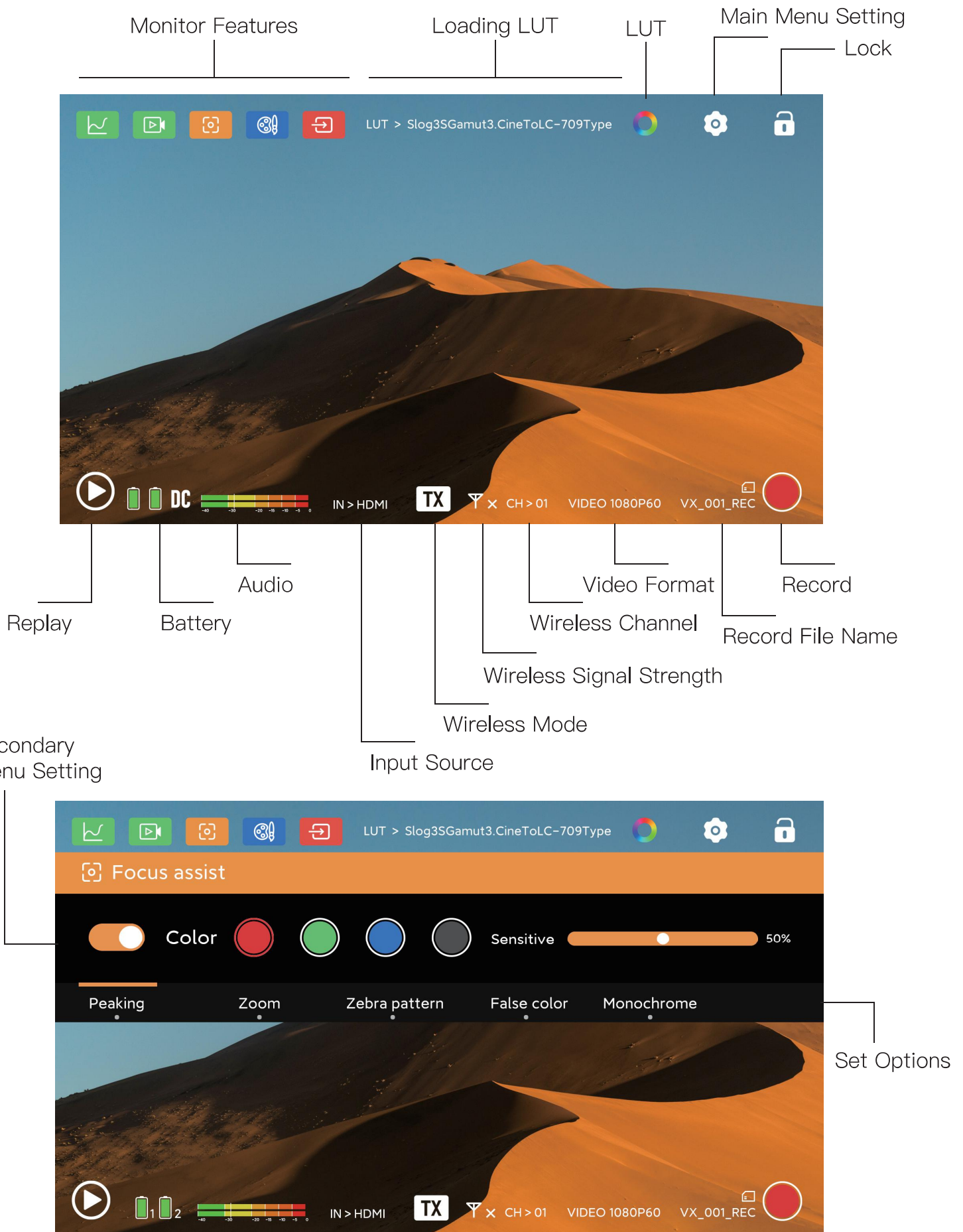


## Ports

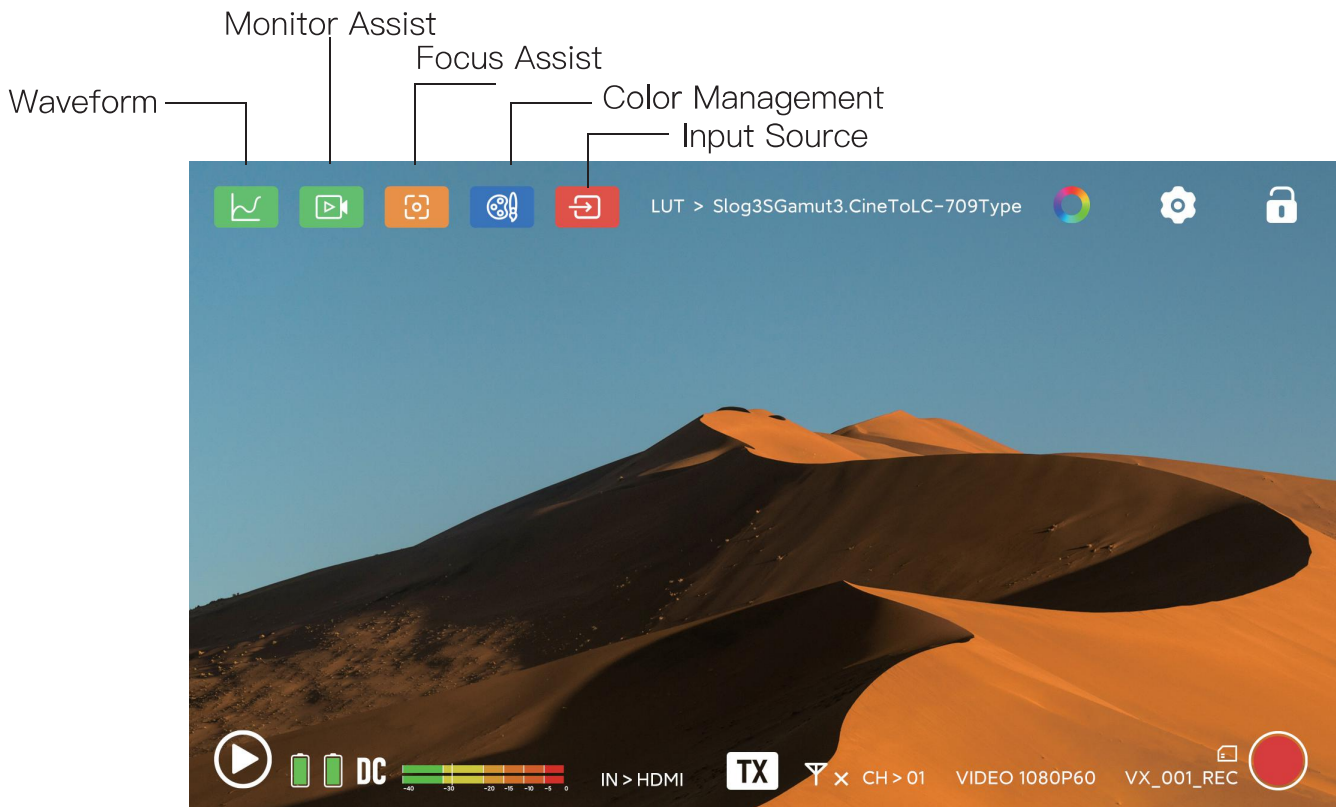


- |   |                  |    |                       |    |                       |   |            |
|---|------------------|----|-----------------------|----|-----------------------|---|------------|
| 1 | Shortcut         | 2  | Power Button          | 3  | HDMI Output           | 4 | HDMI Input |
| 5 | 3.5mm Audio Jack | 6  | DC Input              | 7  | TF Card Slot          | 8 | USB-C Port |
| 9 | DC Output        | 10 | NPF-970 Battery Plate | 11 | SMA Antenna Connector |   |            |

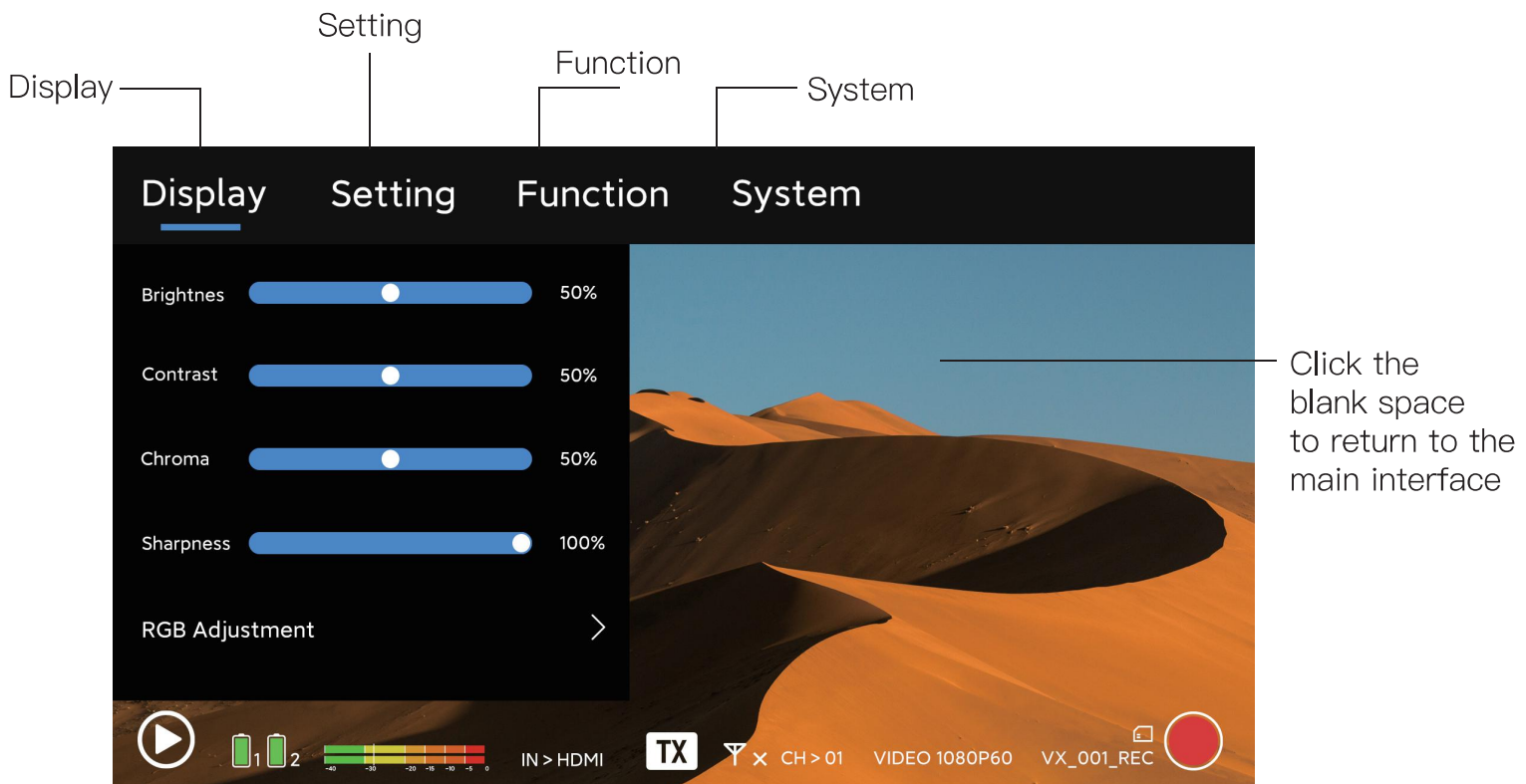
# User Interface



## Common Buttons



## Main Menu



## Transmitter & Receiver Switching

---



Select the Signal Menu – Wireless Mode interface, switch TX or RX mode according to your needs, and the current status will be displayed in the status bar at the bottom.

## Record & Replay

---

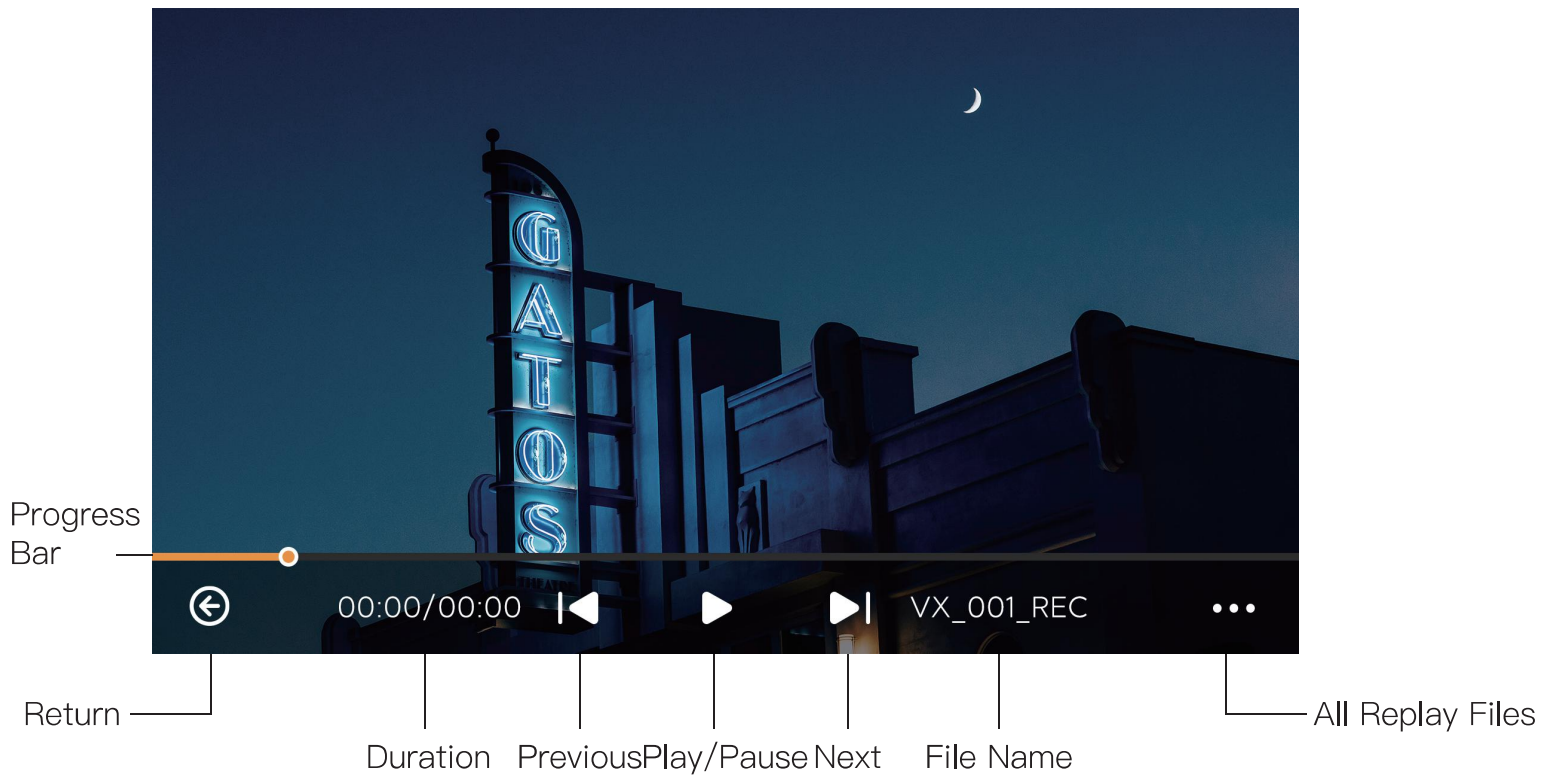


**\*TF card needs to be inserted for recording**

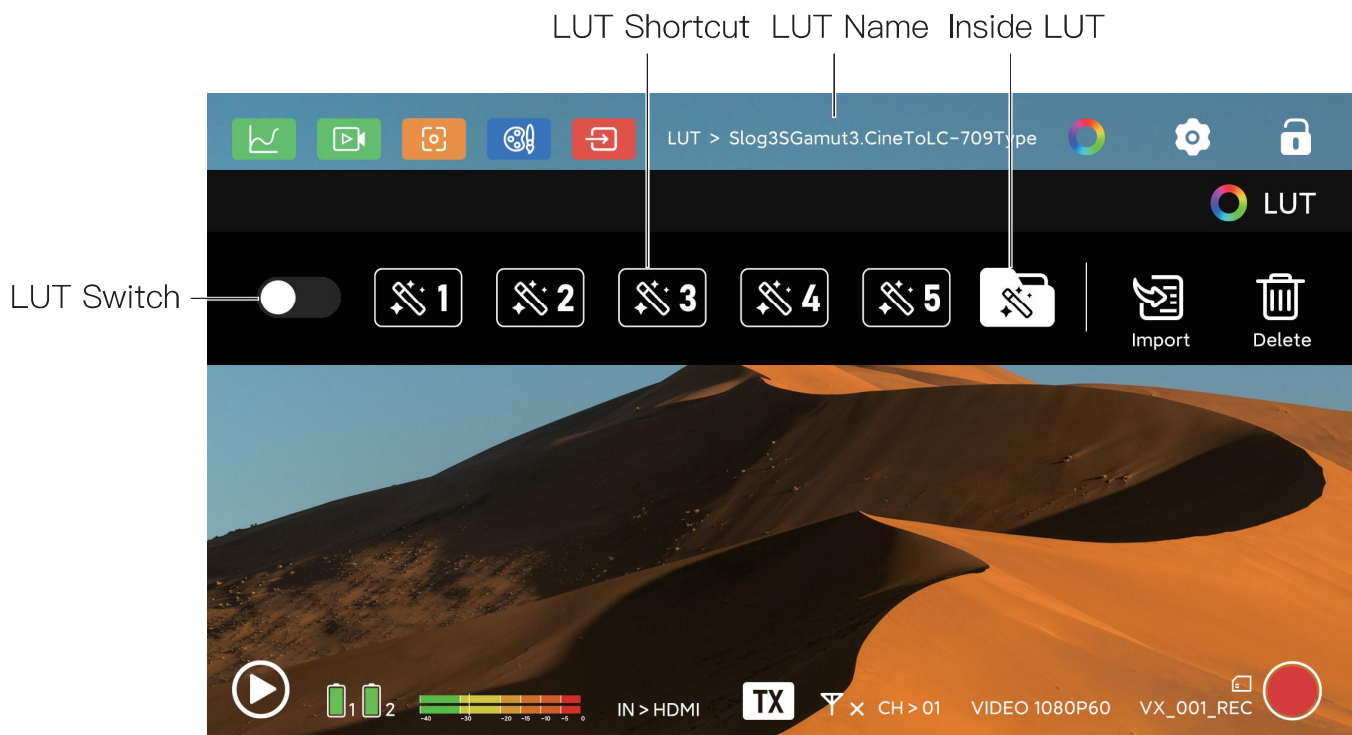
Click Record in the bottom right corner to record the current screen.



## Record & Replay



## LUT Loading



Put the LUT file into the TF card (LUT format is \*.cube, support 17x17x17 and 32x32x32), select the import button

## LUT Loading



Select the LUT in the TF card and click import, it will be prompted that the current LUT shortcut key can be overwritten during import. If the LUT shortcut key is not currently selected, it will be loaded into the monitor (the monitor can save up to 50 LUTs).



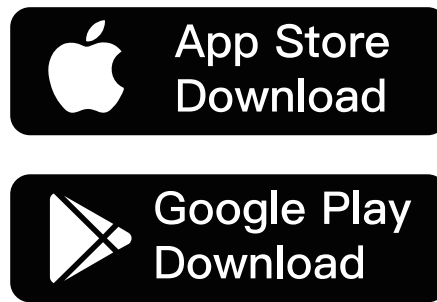
You can only delete the LUT in the monitor, the LUT on the shortcut key cannot be deleted. You need to restore the factory setting, or select a new LUT to overwrite. The LUT in the TF card also cannot be deleted, the only option is to format the memory card.

## APP Download

---

Search Vaxis Vision on App Store or Google Play to download the IOS, Android, IpadOS application.

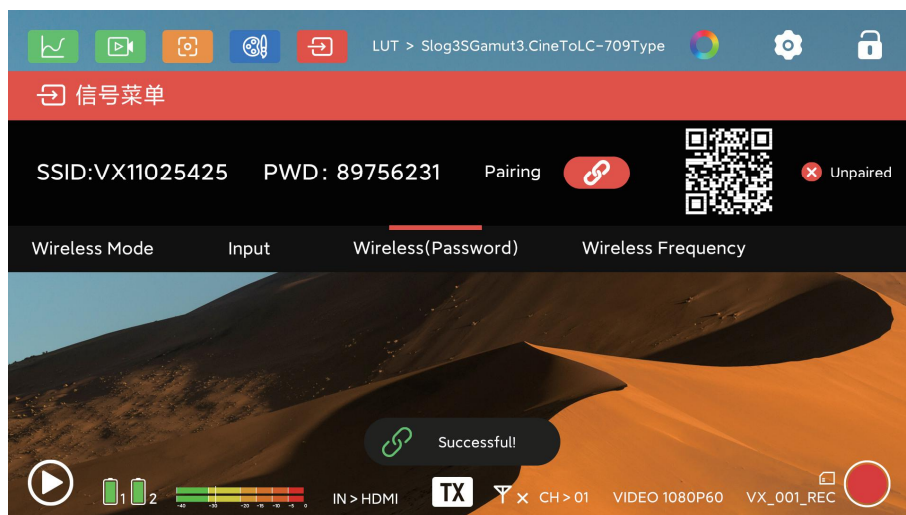
### Search: Vaixs Vision



1. Then open the mobile App to Connect Device, select Scan Code to connect
2. Click Wireless Information in the Signal Menu of A5
3. Scan the QR code to connect

## APP Monitoring

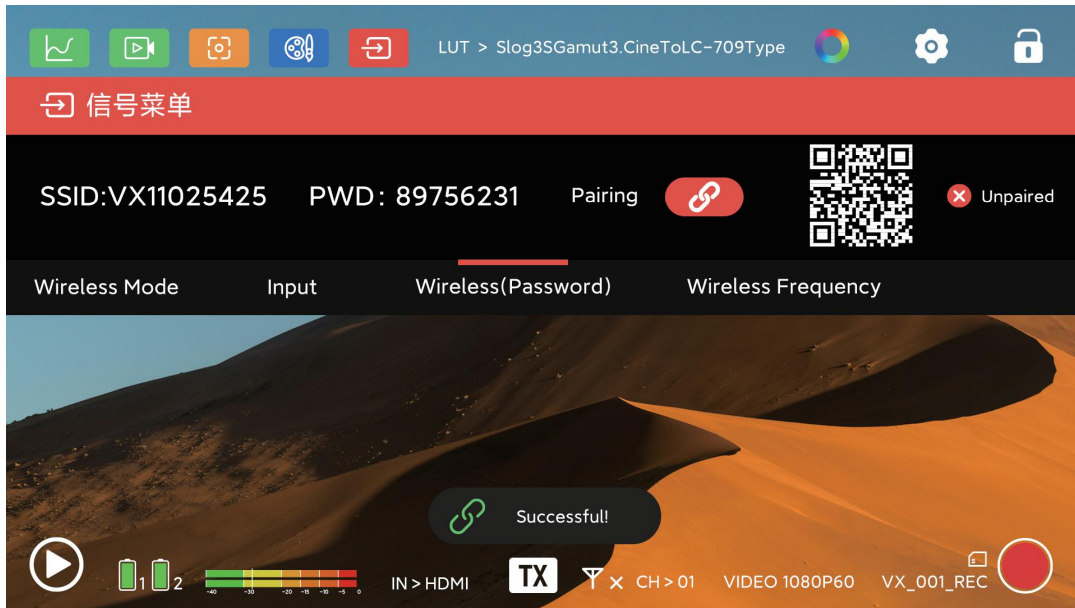
---



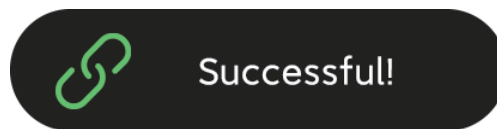
Enter the Settings – System Information interface, select Wireless Information. Then open the mobile App to Connect Device, select Scan Code to connect, and scan the QR code on the monitor to connect.

## Pairing

---



Enter the Signal Menu – Wireless Information interface, click the pairing button to pair. The pairing method is the same in TX or RX mode.



If it shows unpaired after scanning the QR code, it means that the current A5 has never been paired after reset. If it shows paired, it proves that a device has been paired with it.

## Firmware Upgrade

---

Put the upgrade folder into the top directory of the TF card(format FAT-32). Open Setting – System – Software Upgrade, if there is a prompt whether to upgrade the software, the upgrade folder has been successfully read. Click Yes to perform firmware upgrade.



## Specification

|                                     |  |
|-------------------------------------|--|
| <b>Interface</b>                    | DC IN, DC OUT,<br>HDMI IN, HDMI OUT,<br>3.5mm Audio Jack, Type-C, 3.5mm-IR IN                  |
| <b>Input Voltage</b>                | NPF970/DC12V   |
| <b>Screen Size</b>                  | 5.5 Inch Touch   |
| <b>Screen Resolution</b>            | 1920*1080 pixels   |
| <b>Screen Brightness</b>            | 1000cd/m <sup>2</sup>  |
| <b>Contrast Ratio</b>               | 1200: 1  |
| <b>Input Video Format</b>           | 1920*1080P 60/59.94/50/30/29.97/25/24/23.98<br>1920*1080I 60/59.94/50<br>1280*720P 60/59.94/50 |
| <b>Output Video Format</b>          | 1920*1080P60/50/30/25/24<br>1920*1080I60/50<br>1280*720P60/50                                  |
| <b>Audio Format</b>                 | 48KHz  |
| <b>Net Weight</b>                   | 48g  |
| <b>Size</b>                         | 151*92*30.5mm  |
| <b>DC Max Output Power</b>          | 8.5V/0.6A  |
| <b>Wireless Operating Frequency</b> | 5.1G-5.8G  |
| <b>Transmitting Frequency</b>       | 17dBm  |
| <b>Transmission Latency</b>         | 80ms, 120ms(under interference environments)   |
| <b>Receiving Sensitivity</b>        | -80dBm   |

www.vaxisglobal.com



湖南光魔科技有限公司  
GMCINE Technology Co., Ltd.  
电话: +86400-014-7080



威固官方网站



微信公众号