



DFP19 OS&Y Rising Stem Gate Valve are an important type of valve used to control the flow of liquids in various industrial and commercial applications. These valves typically operate with a sleeve that is mounted within a body and can open and close. The sleeve moves up and down within the body via a threaded spindle, allowing it to control the flow in fluid lines by either opening or closing the passage. It is an important type of valve used in fire systems.

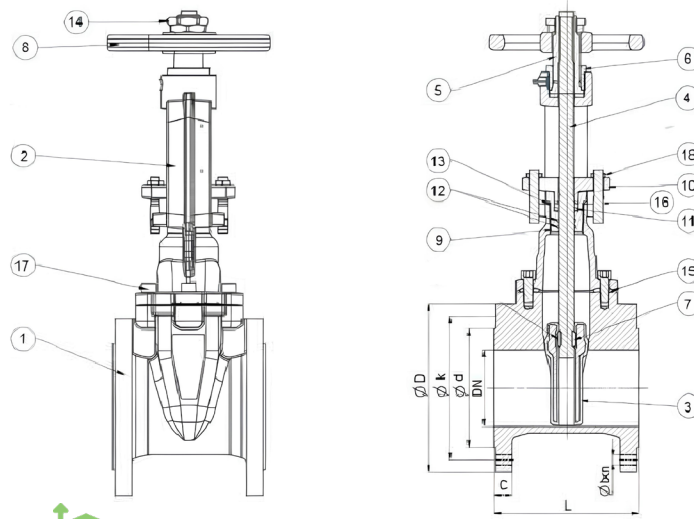
One of the significant reasons for the preference of DFP19 OS&Y Rising stem gate valve is their ability to provide a robust and leak-proof seal. The elastomer on the sleeve ensures complete cessation of liquid flow in the closed position, thereby preventing undesirable leaks. These characteristics make them ideal for ensuring reliability in applications such as water and wastewater systems.

Scope of Application

- Water Distribution Systems
- Fire Protection Systems
- Wastewater Management
- Oil and Gas Industry
- Industrial Processes
- Construction Sites
- Agricultural Systems

Temperature

- EPDM -20° / +120°
- NBR -20° / +100°
- VITON -30° / +200°



Material Specifications



Dimensions

NU	PART NAME	MATERIAL
1	Body	EN GJS 500 - Ductile Iron
2	Cover	EN GJS 500 - Ductile Iron
3	Wedge	EN GJS 500 + EPDM / NBR / VITON Ductile Iron + EPDM / NBR / VITON coated
4	Shaft	AISI420 - AISI304 - AISI316 Stainless Steel
5	Bara	Ms58
6	Centering Nut	Ms58
7	Movement Nut	Ms58
8	Handwheel	EN GJS 500 - Ductile Iron
9	O-Ring Nut	Ms58
10	Upper Glen	EN GJS 500 - Ductile Iron
11-13	Gasket	EPDM - NBR - VITON
12	Shaft O-Ring	EPDM - NBR - VITON
14	Handwheel Nut	Ms58
15	Cover O-Ring	EPDM - NBR - VITON
16	Glen Bolt	8.8 Galvanized - Stainless Steel
17	Cover Bolt	8.8 Galvanized - Stainless Steel
18	Glen Nut	8.8 Galvanized - Stainless Steel

DN (mm)	PN	D	k	d	f	C	lxn	L	WEIGHT
40	10-16-25-40	150	110	84	3	19	19x4	140	14
50	10-16-25-40	165	125	99	3	19	19x4	150	15
65	10-16	185	145	118	3	19	19x4	170	18
	25-40	185	145	118	3	19	19x8	170	23
80	10-16-25-40	200	160	132	3	19	19x8	180	27
100	10-16	220	180	156	3	19	19x8	190	31
	25-40	235	190	156	3	19	23x8	190	36
	10-16	250	210	184	3	19	19x8	200	41
125	25	270	220	184	3	19	28x8	200	43
	40	270	220	184	3	23,5	28x8	200	43
	10-16	285	240	211	3	19	23x8	210	47
150	25	300	250	211	3	20	28x8	210	66
	40	300	250	211	3	26	28x8	210	66
	10	340	295	266	4	20	23x8	230	79
200	16	340	295	266	4	20	23x12	230	79
	25	360	310	274	4	22	28x12	230	79
	40	375	320	284	4	30	31x12	230	89
	10	395	350	319	4	22	23x12	250	101
250	16	405	355	319	4	22	28x12	250	101
	25	425	370	330	4	24,5	31x12	250	111
	40	450	385	345	4	34,5	34x12	250	111
	10	445	400	370	4	24,5	23x12	270	135
300	16	460	410	370	4	24,5	28x12	270	135
	25	485	430	389	4	27,5	31x16	270	145
	40	515	450	465	4	39,5	34x16	270	145
	10	505	460	429	4	24,5	23x16	290	170
350	16	520	470	429	4	26,5	28x16	290	170
	25	555	490	448	4	30	34x16	290	190
	40	580	510	465	4	44	37x16	290	190
	10	565	515	480	4	24,5	28x16	310	320
400	18	580	525	480	4	28	31x16	310	330
	25	620	550	503	4	32	37x16	310	350
	40	660	585	535	4	48	37x16	310	350
	10	615	565	530	4	25,5	28x20	330	370
450	16	640	585	548	4	30	31x20	330	390
	25	670	600	548	4	34,5	37x20	330	405
	40	685	610	560	4	49	41x16	330	405
	10	670	620	582	4	26,5	28x20	350	370
500	16	715	650	609	4	31,5	34x20	350	390
	25	730	660	609	4	36,5	37x20	350	405
	40	755	670	615	4	52	44x20	350	405
	10	780	725	682	5	30	31x20	390	650
600	16	840	770	720	5	36	37x20	390	670
	25	845	770	720	5	42	41x20	390	713
	40	890	795	735	5	58	50x20	390	713

