

soundbester

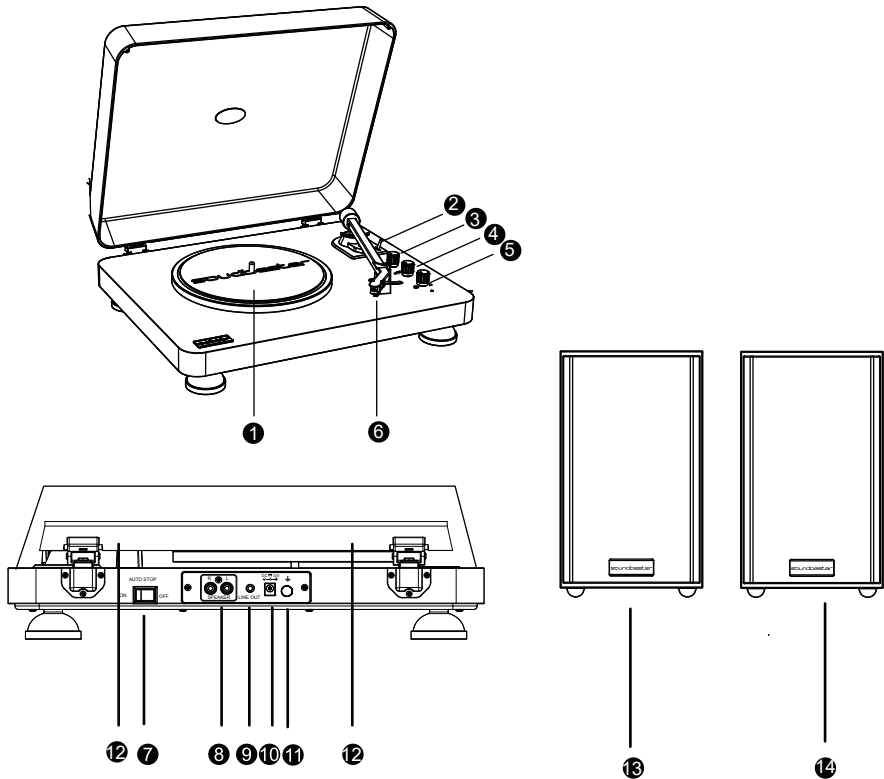


MODEL : M1

Before using this product, please read instructions to avoid any damage and keep them in a safe place for future reference.

1 Your Revive Turntable

Product Overview



Top view

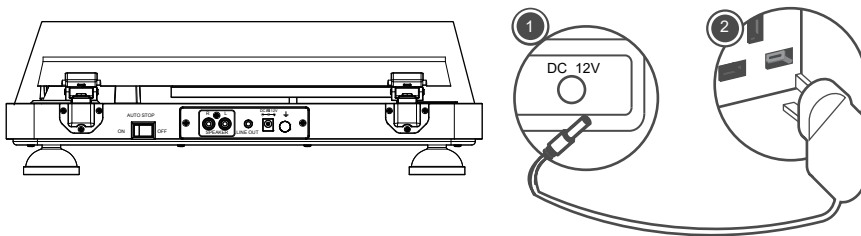
- 1 Turntable Platter:** Aluminum alloy turntable
- 2 Tone Arm Lifter:** Push forward and pull back to raise and lower tonearm
- 3 Speed Selection:** 2 speed choices: 33.45 rpm
- 4 Mode Control:** Turn the mode control to select BT/PHONO/BT transmitter
- 5 Power Switch/Volume Control:**
Turn the control counterclockwise to decrease the volume and turn off. turn the control clockwise to increase the volume
- 6 Stylus:** Generates sound from a playing record
- 7 Auto Stop ON/OFF:** When ON position: a record finish, will stop automatically
When OFF position: the record will continue turning at the end of the record
- 8 Speaker:** Connect An External Amplifer For Music Play

- **9 Line Out:** Connect To An External Audio Device via RCA cable And Play Music
- **10 DC IN Socket:** Connects the turntable speaker to the mains power supply
- **11 A Ground Wire :** A ground wire can be connected to the screw terminal between the outlets if you are experiencing hum problems.
- **12 Dust Cover:** Protects the dust cover
- **13 Speakers:** An external amplifier for listening to music (left side)
- **14 Speakers:** An external amplifier for listening to music (right side)

2 Quick Set Up

2.1 AC Power Operation :

1. Insert the DC plug of the adapter into the DC jack on the back of the unit.
2. Connect the plug of the AC adapter to the mains socket. Connecting this



2.2 Bluetooth Operation :

1. Turn the function control to BT position, the blue light will start flashing.
 2. Turn on the Bluetooth setting of your devices and search for devices.
 3. Select the Bluetooth pairing name "Soundbester-M1" to connect to the turntable.
 4. Once connected, the blue light will stop flashing, you can now listen to music from your device through your turntable, use the volume control dial to adjust the volume.
- Note: After the initial pairing, the turntable will remain paired with your device unless it is manually unpaired or the device is reset.

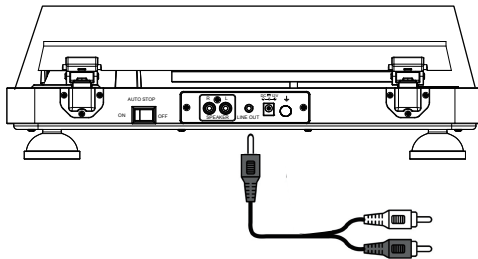
2.3 Bluetooth transmitter Operation:

1. Turn the control knob to the gramophone transmission function. When a turntable is working, the LED indicator flashes.
2. The units can be connected wirelessly to another Bluetooth speaker device.
3. After successful pairing, the LED indicator lights up blue and stops flashing. After the music transmission is completed, you can listen to music recorded with another device.

NOTE: When the transmission is connected, the volume control knob of the main unit is not controlled.

2.4 Line Out

1. You can listen to your new turntable using the built-in speakers, but you may want to connect it to your existing Hi-Fi system. Connect the audio jacks to the line input of your mixer or amplifier using an RCA cable



2.5 Playing a Record

1. Carefully holding the vinyl record by the edges, place it on the Revive turntable.
2. Turn the unit on and select Phono mode.
3. Select the appropriate speed for the record you wish to play.
4. Release the tone arm lock.
5. Carefully lift the tone arm. The turntable will begin to rotate.
6. Place the stylus on the first track of the record.
7. Slowly place the stylus on the record to play it.
8. When a record reaches the end, the turntable will automatically stop if the auto-stop switch is in the ON position.
9. Lift the tone arm and place it on the rest when finished. and replace the tone arm lock.

3 Troubleshooting

Problem	What to do
The device does not turn on when you turn it on.	Plug the AC adapter into a wall outlet.
No sound comes out of the speakers.	Adjust the volume. Select the desired input source again using the mode button.
The device does not respond.	Remove the power cord and all other power supplies from the device, and then plug the device back in after one minute.
The sound is distorted when playing a disc	Place the stylus in the center.
The device becomes warm after prolonged playback at high volume.	Turn off the device for a while or lower the volume.

4 Replacing the Needle

Removing The Needle

1. Gently pull the front edge of the needle down.
2. Pull the needle forward.
3. Pull it out and remove it.

Installing The Needle

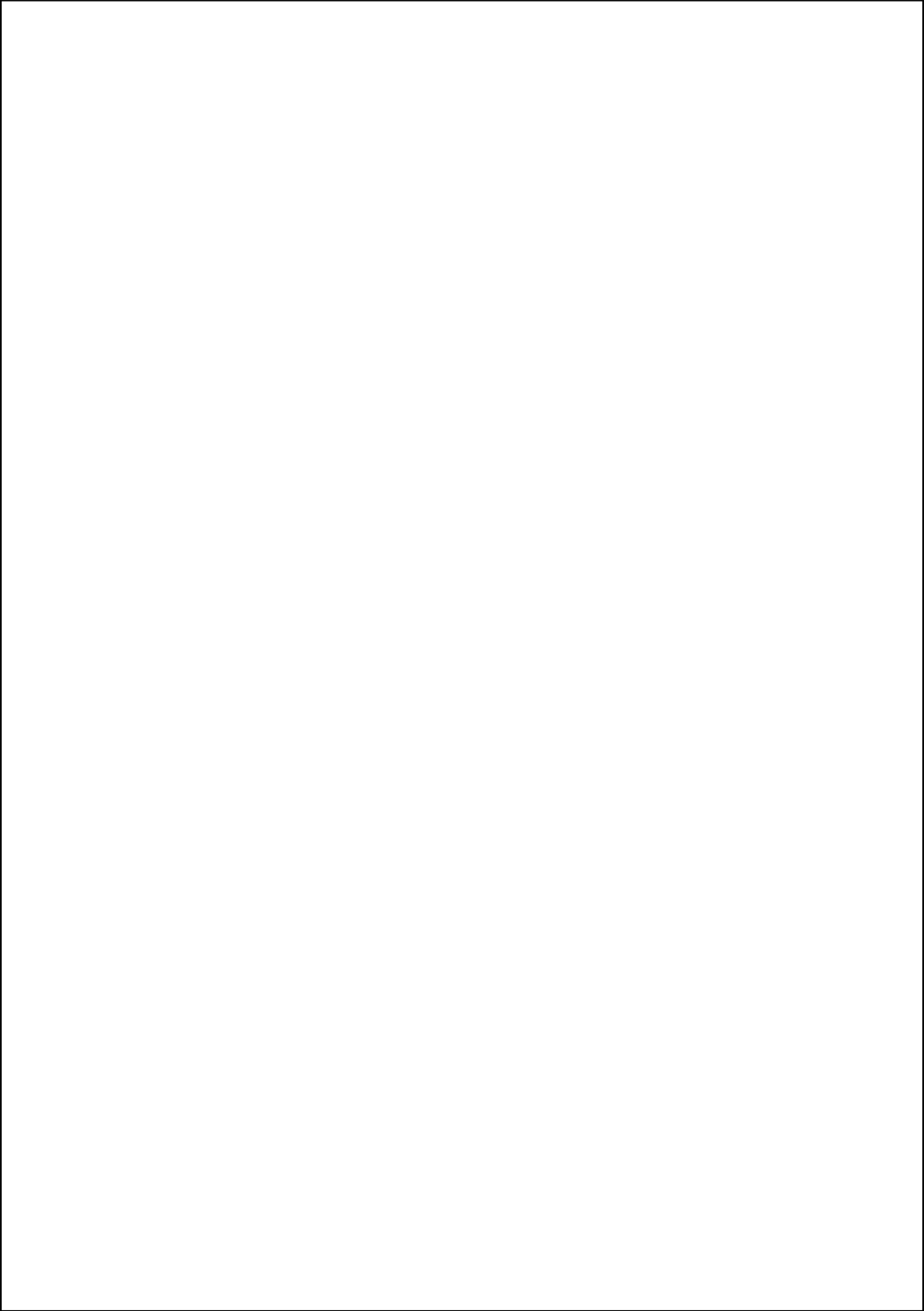
1. Position the needle with its tip down.
2. Align the back of the needle with the cartridge.
3. Insert the needle with its front end at a downward angle and gently lift the front of the needle up until it snaps into place.

5 Technical Specifications

Model number:	M1
Bluetooth version	JL5.4
Input	AC 100-240V ~50/60Hz
Power supply	12V---2000mA
Speaker driver	2 X (4 INCH + 2 INCH)
Speaker power	2 X 20W
Dimensions	Dimensions (Turntable) H122*W412*D326MM Dimensions (Speaker) H260*W145*D189MM
Weight	9.6kg

Caution:

- Do not remove or bend the stylus.
- To avoid injury, do not touch the needle.
- Turn off the power before replacing the stylus.
- Keep it out of reach of children.
- Handle with care, as the stylus is fragile. Using a bent or broken stylus may damage the record and cause the turntable stylus to malfunction.
- Do not expose the stylus to extreme heat.
- Contact a qualified repair company if you have difficulty changing the stylus



soundbester

support@Soundbester.com

www.Soundbester.com