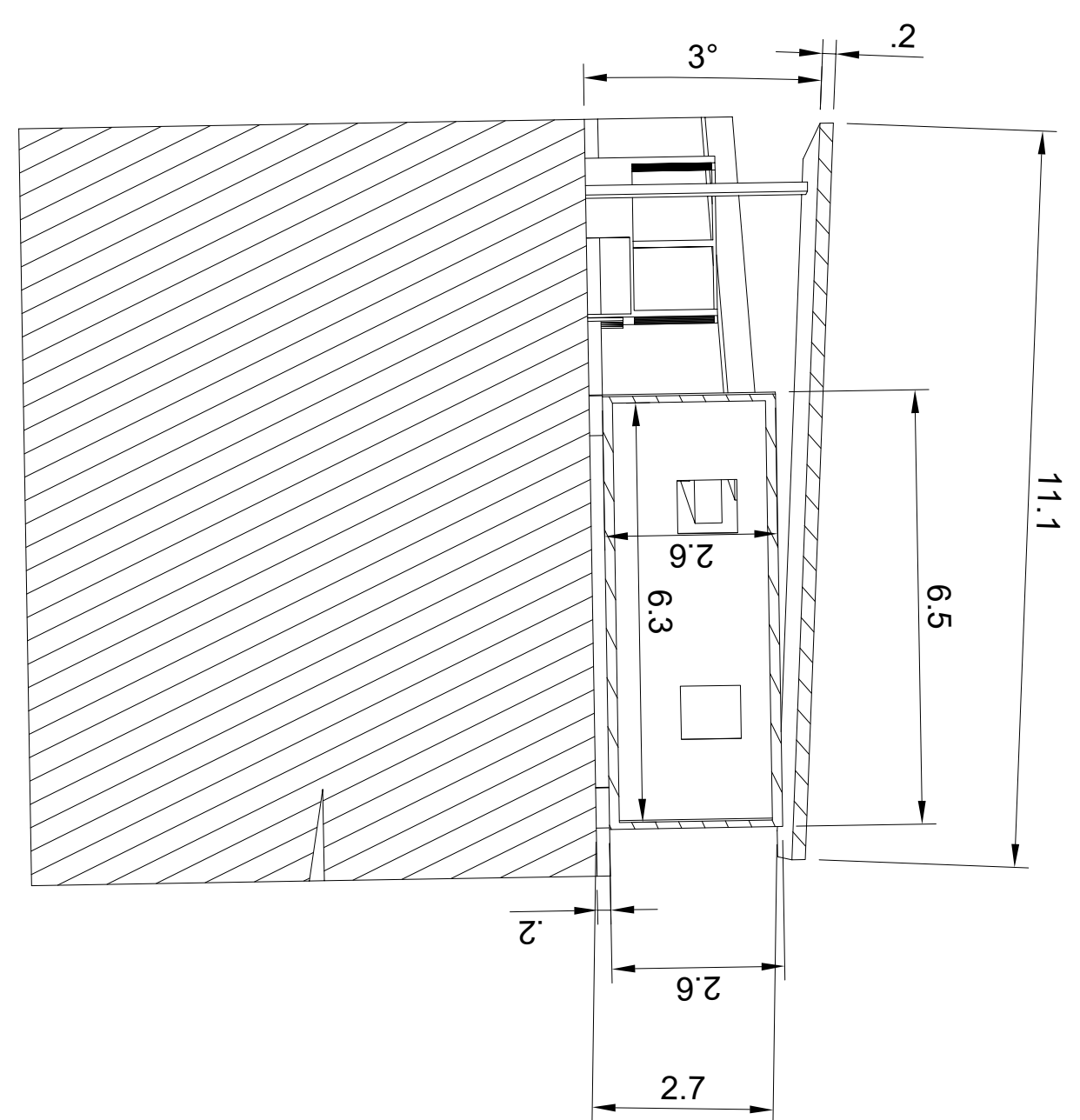
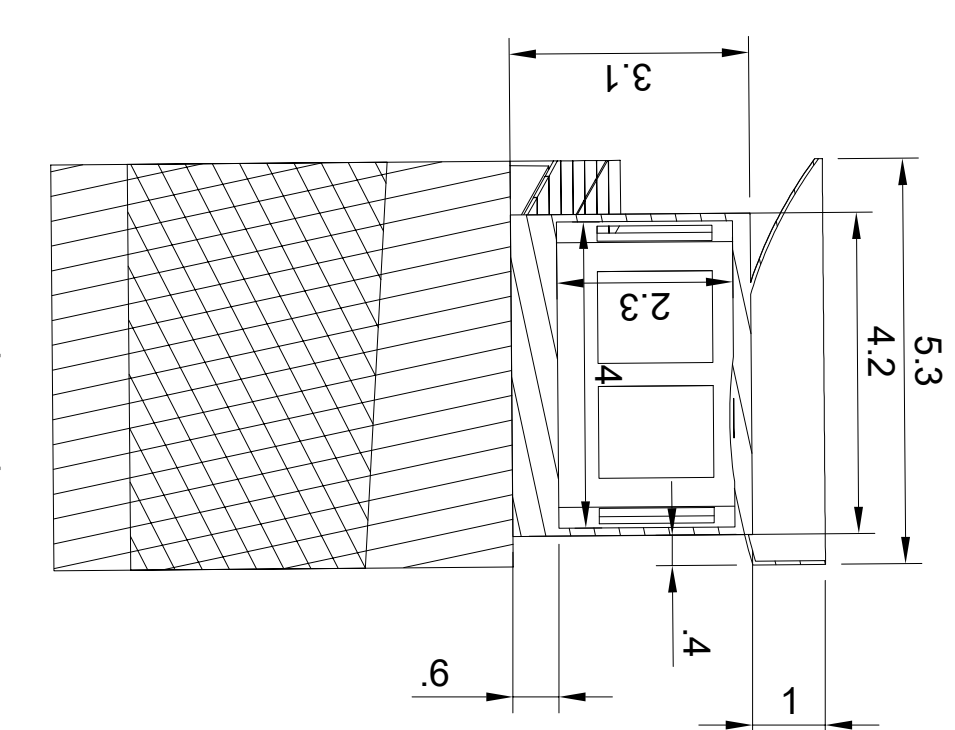


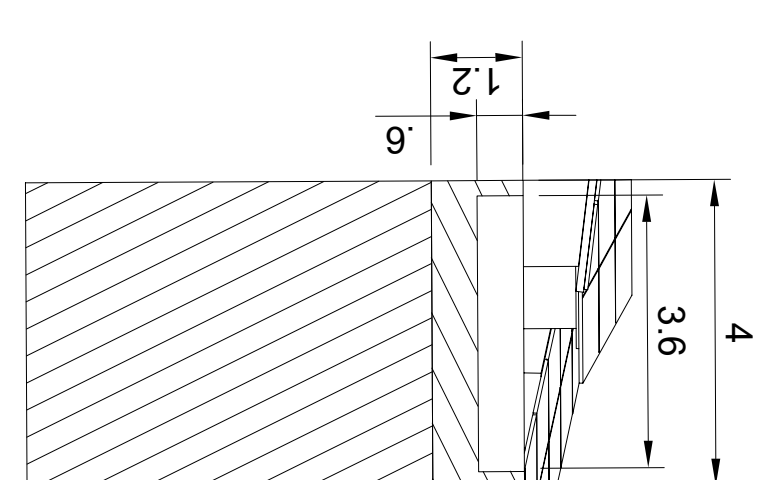
1-1 (0.01)



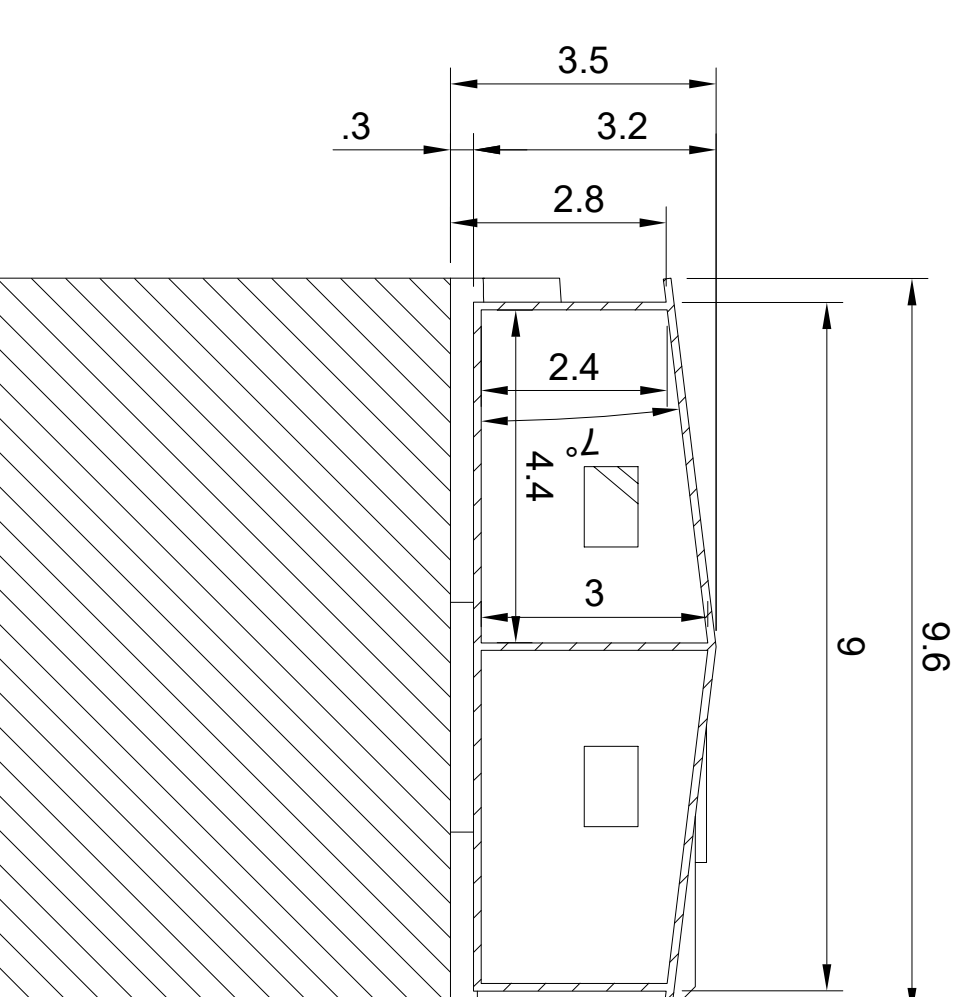
2-2 (0.01)



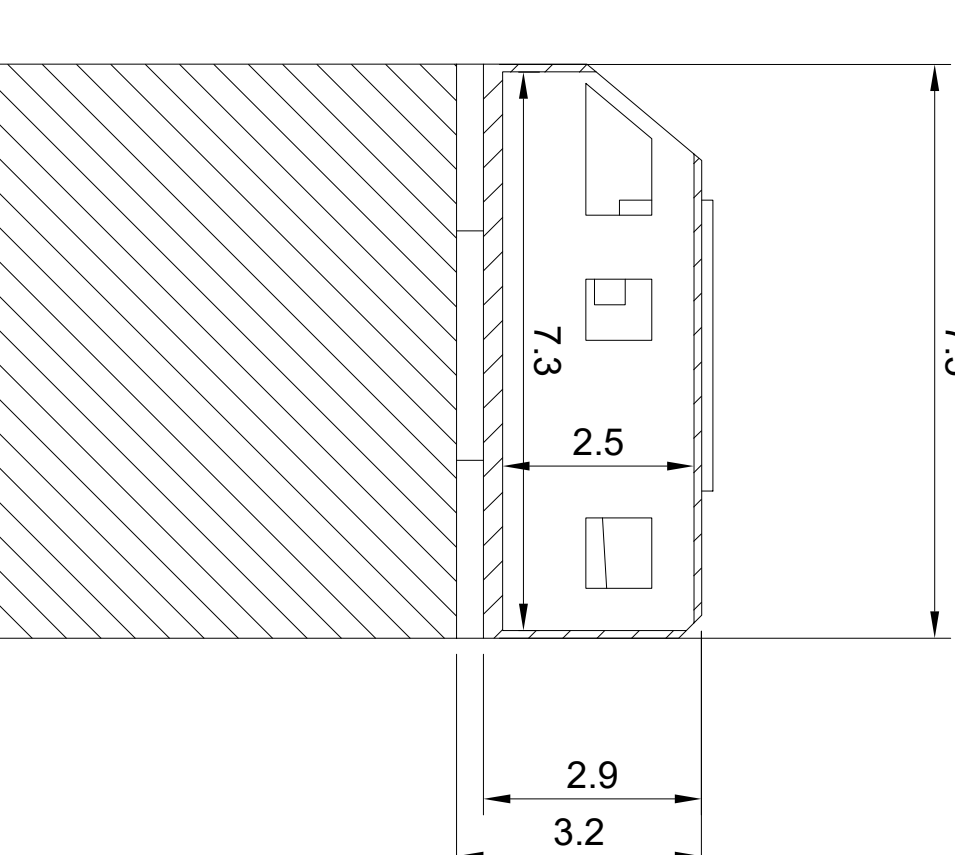
4-4 (0.01)



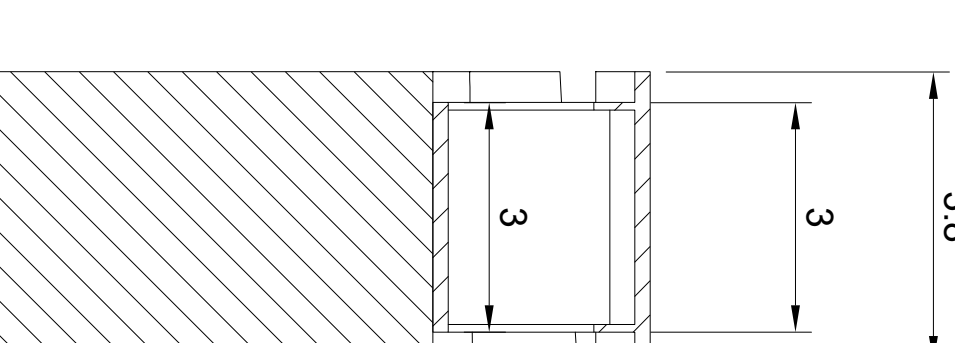
6-6 (0.01)



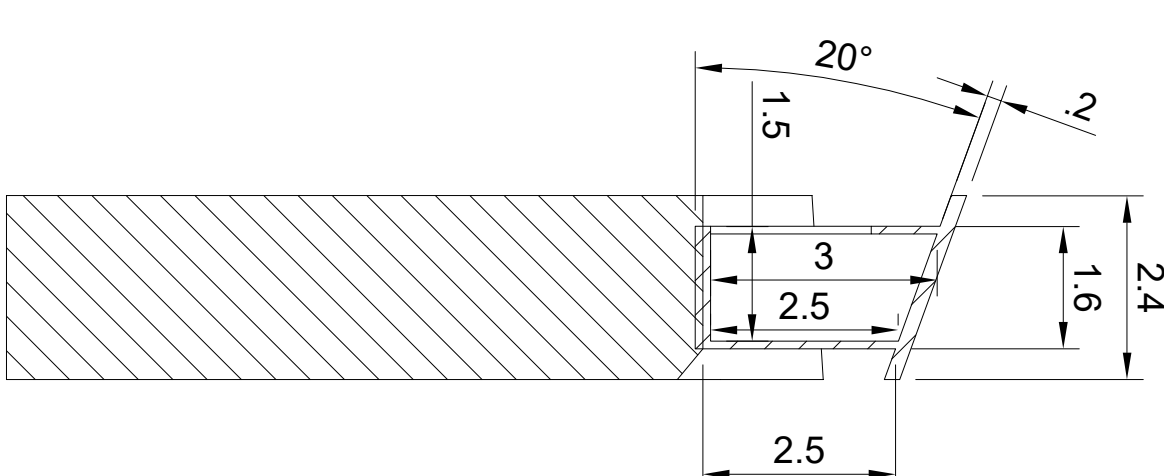
10-10 (0.01)



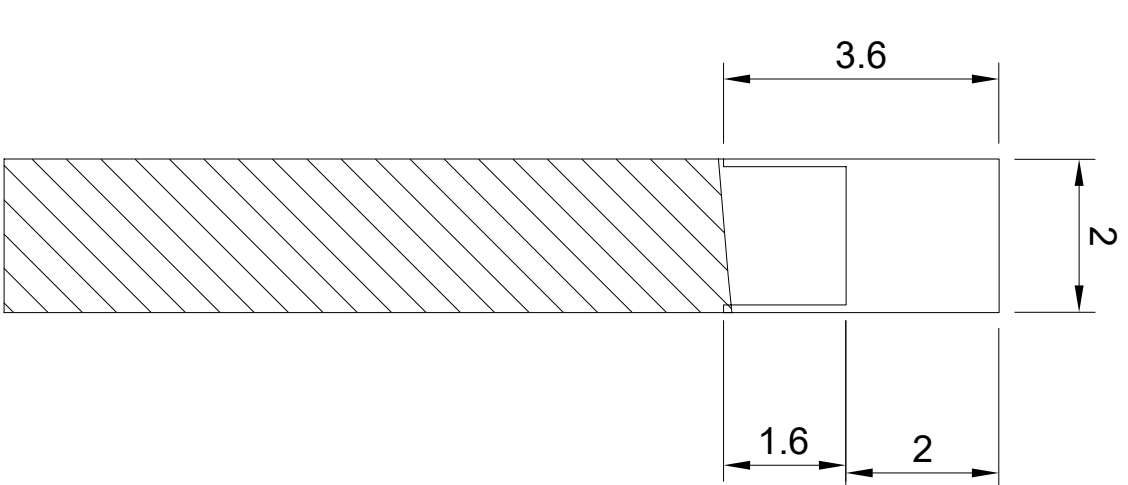
11-11 (0.01)



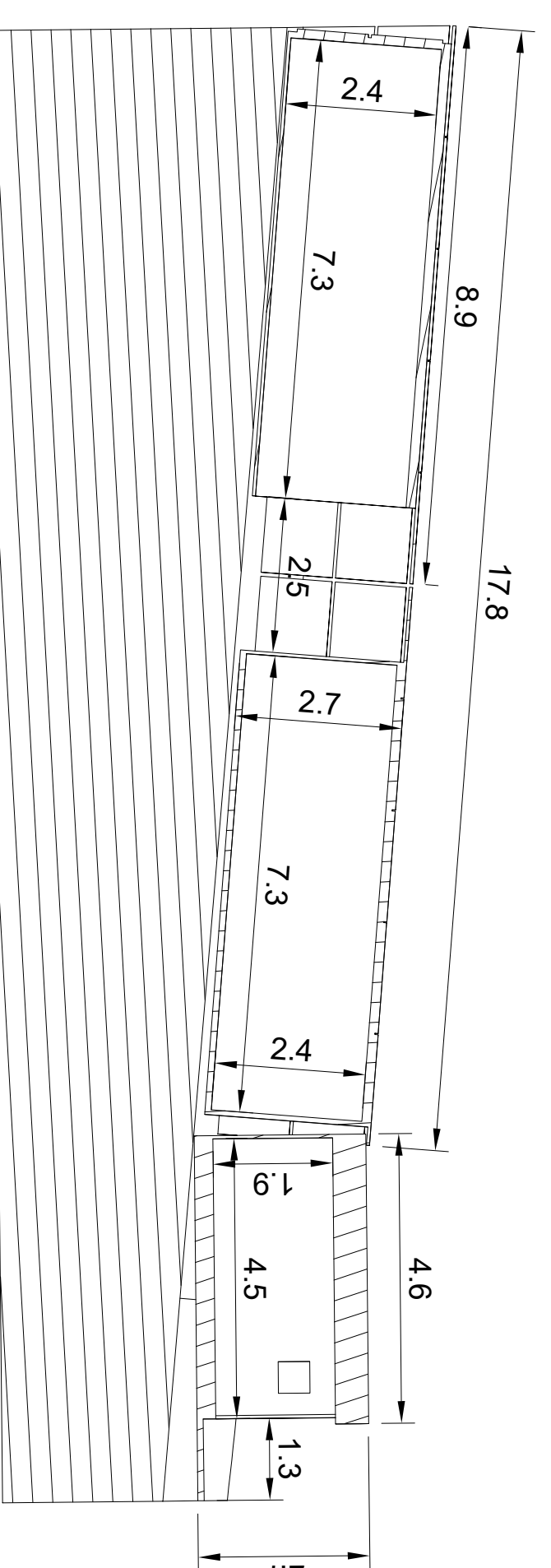
12-12 (0.01)



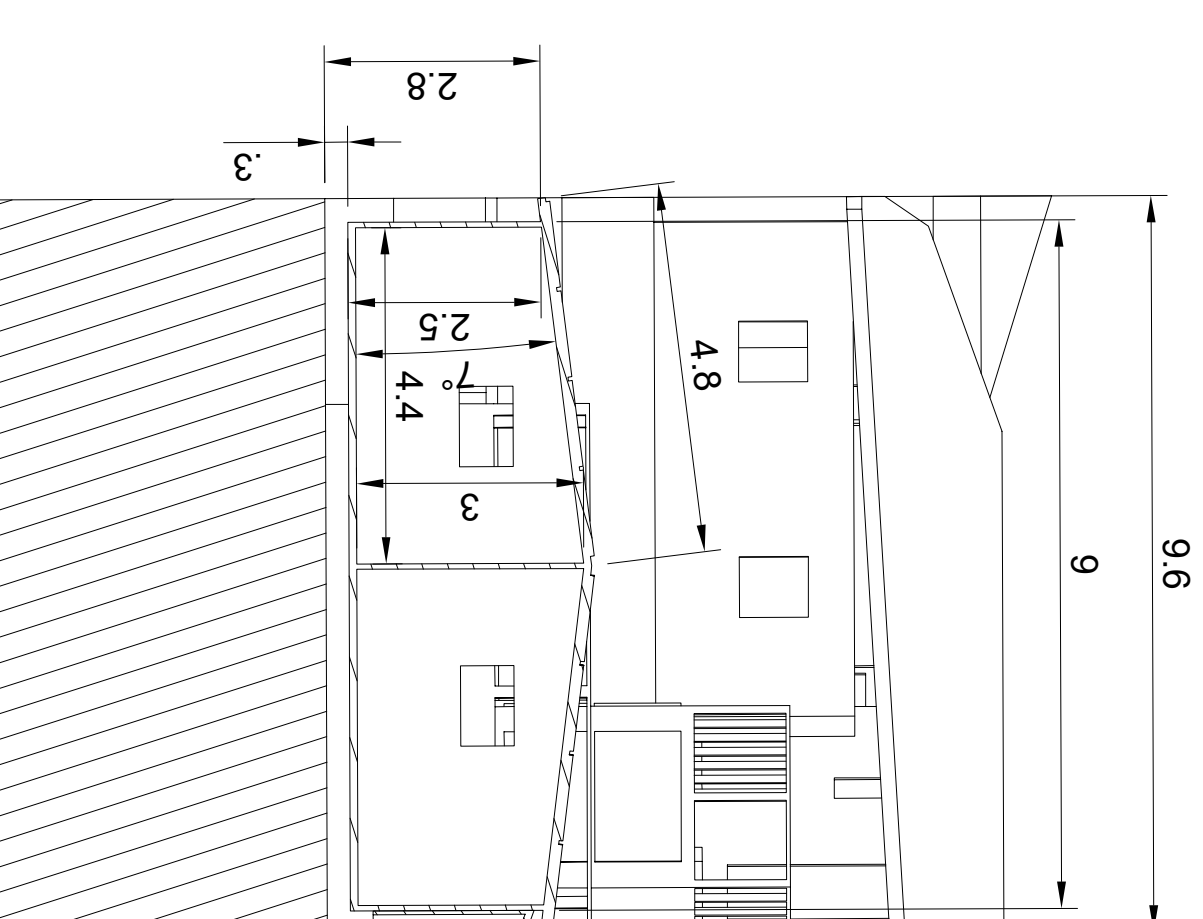
15-15 (0.01)



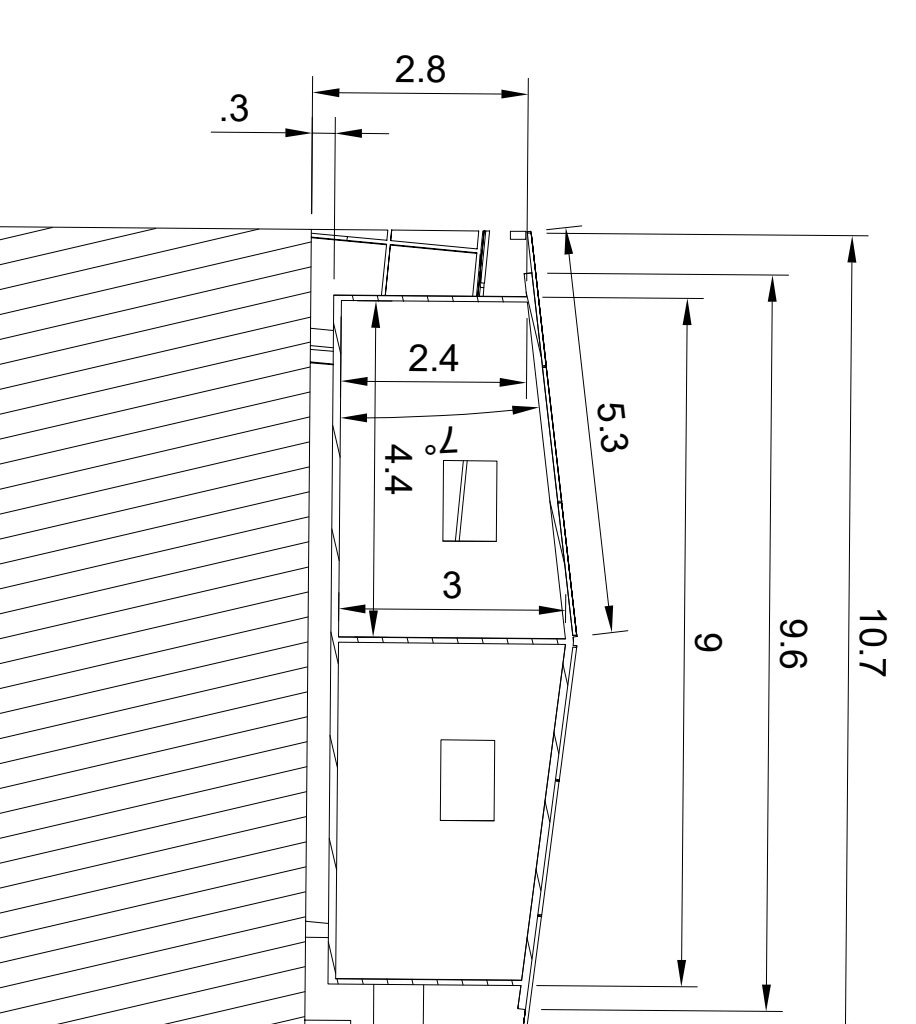
16-16 (0.01)



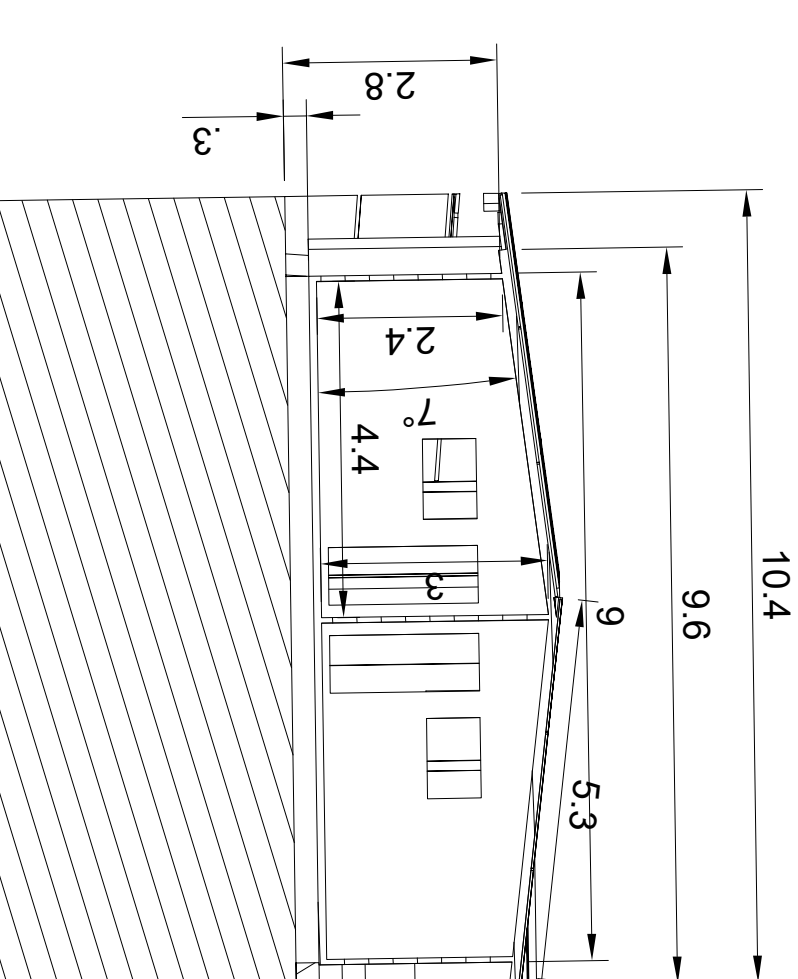
17-17 (0.01)



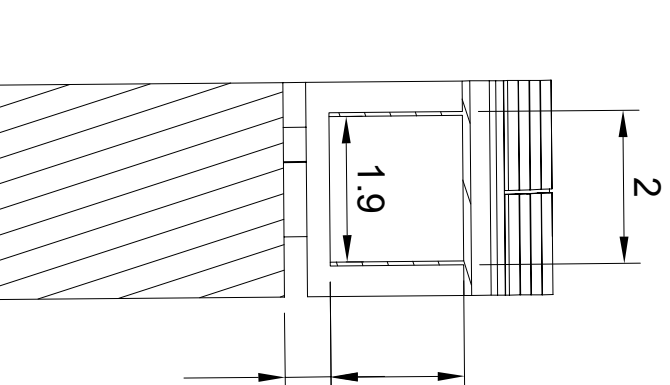
20-20 (0.01)



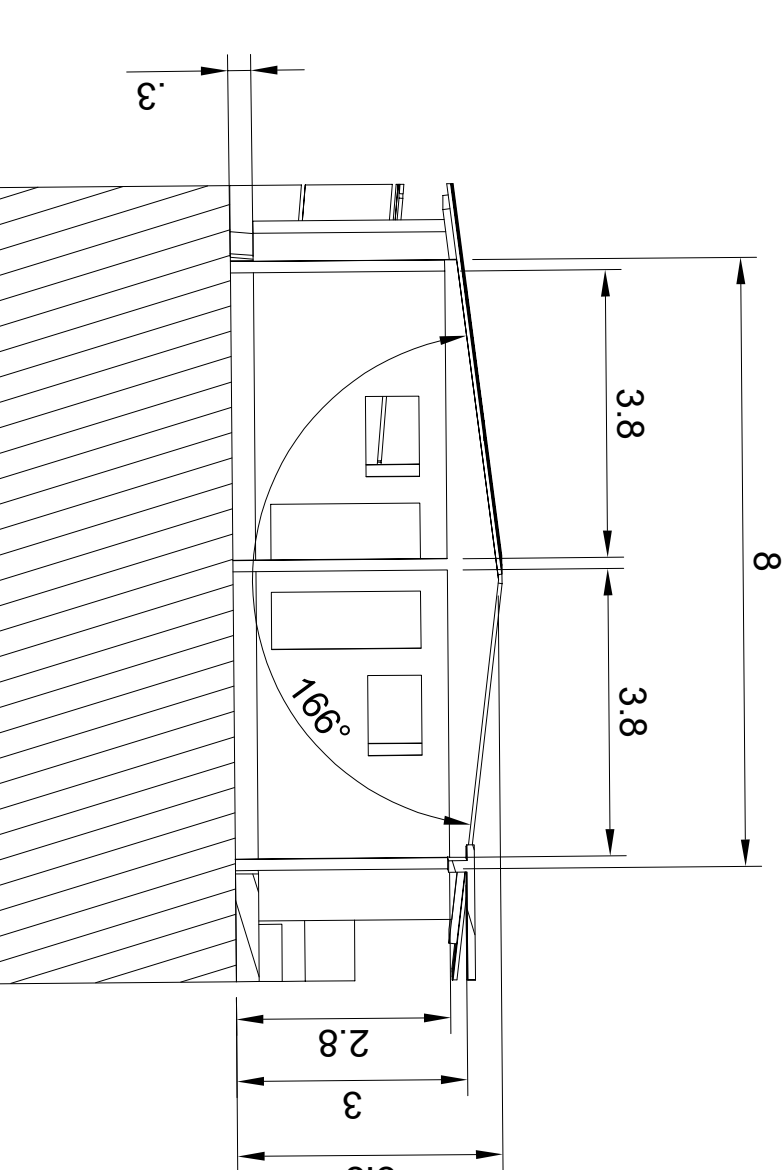
21-21 (0.01)



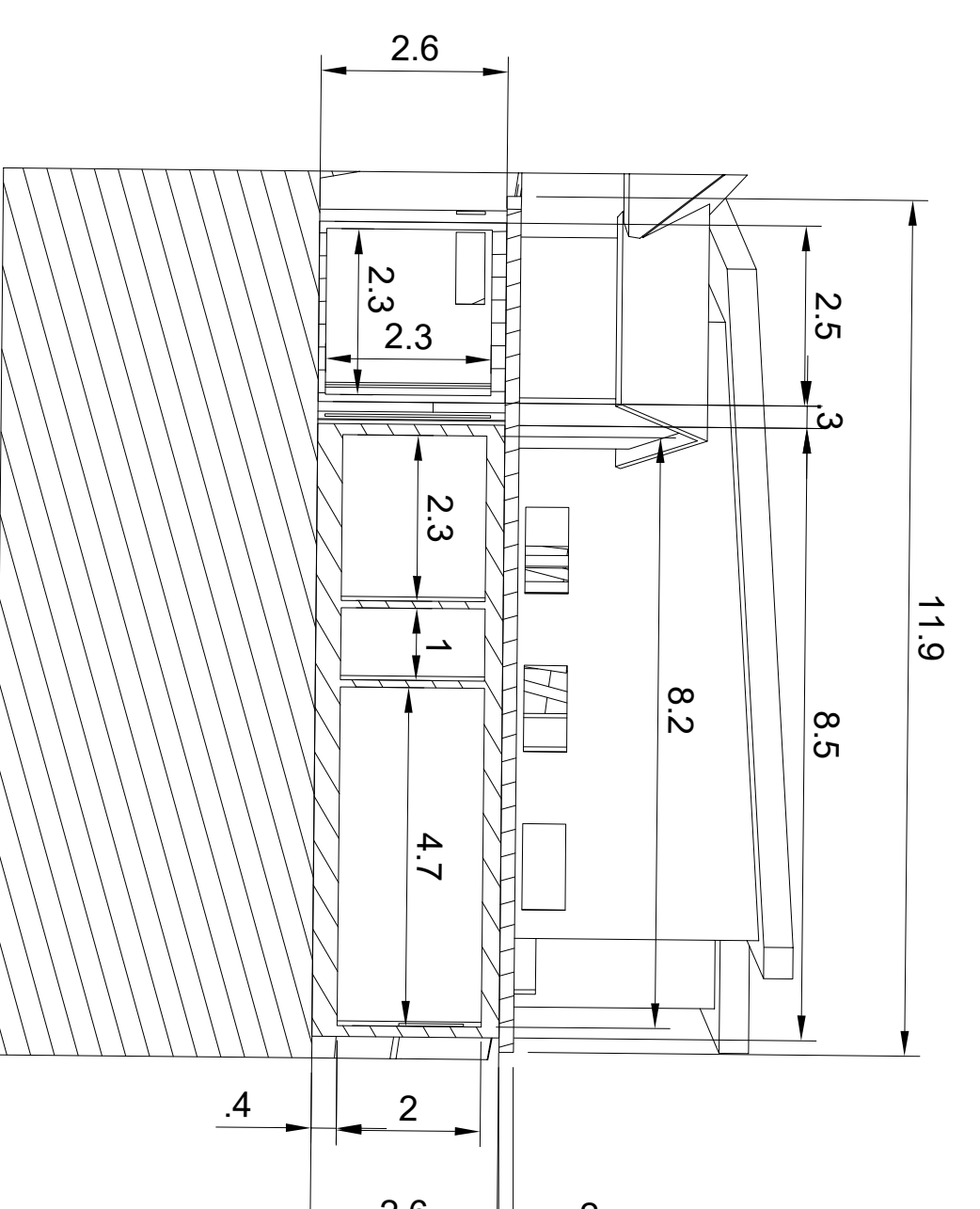
22-22 (0.01)



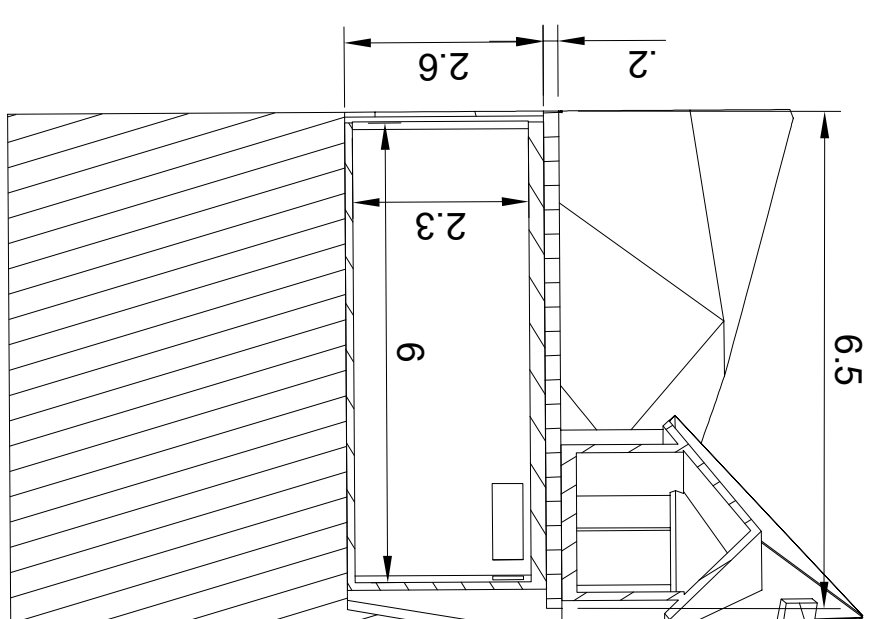
23-23 (0.01)



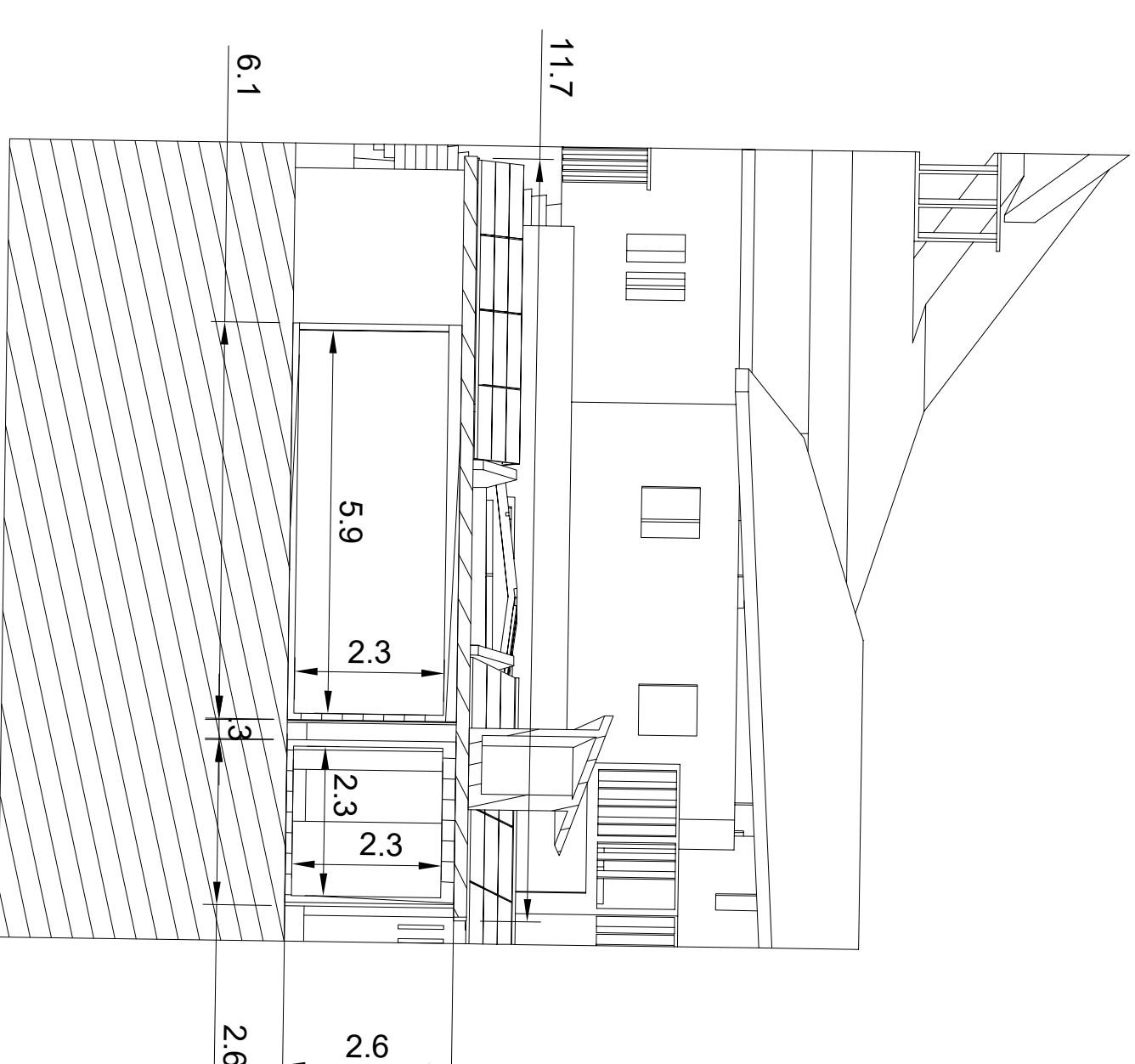
24-24 (0.01)



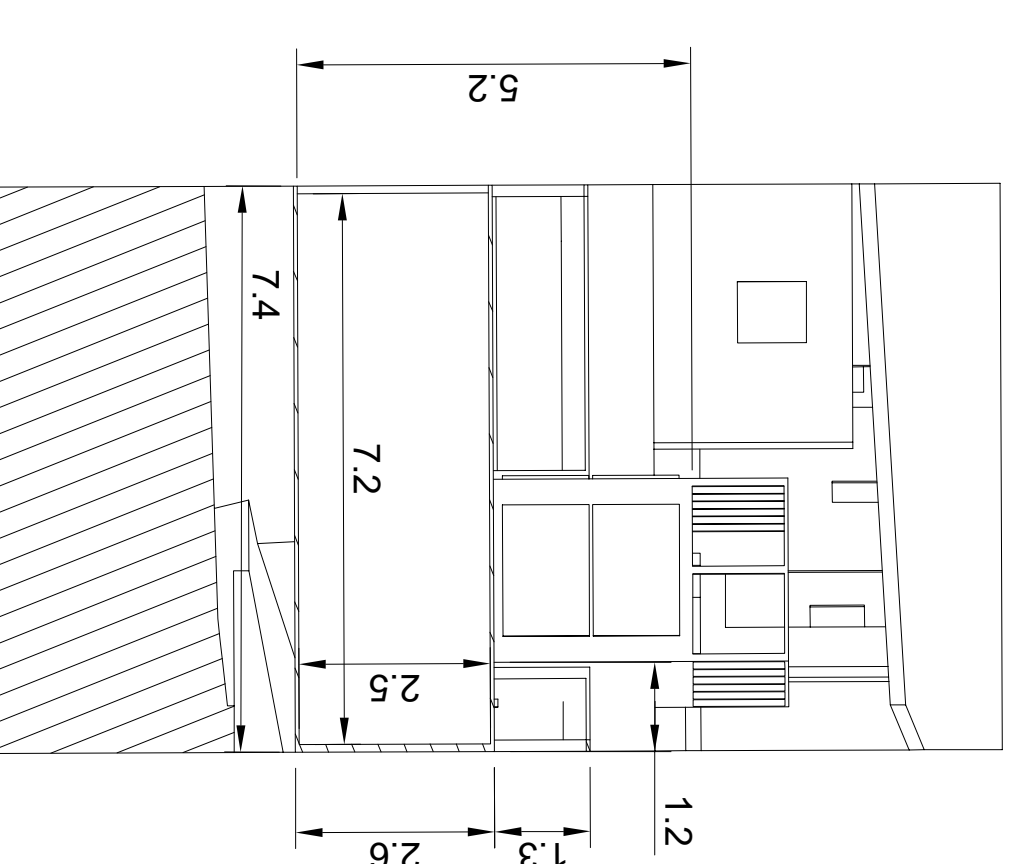
25-25 (0.01)



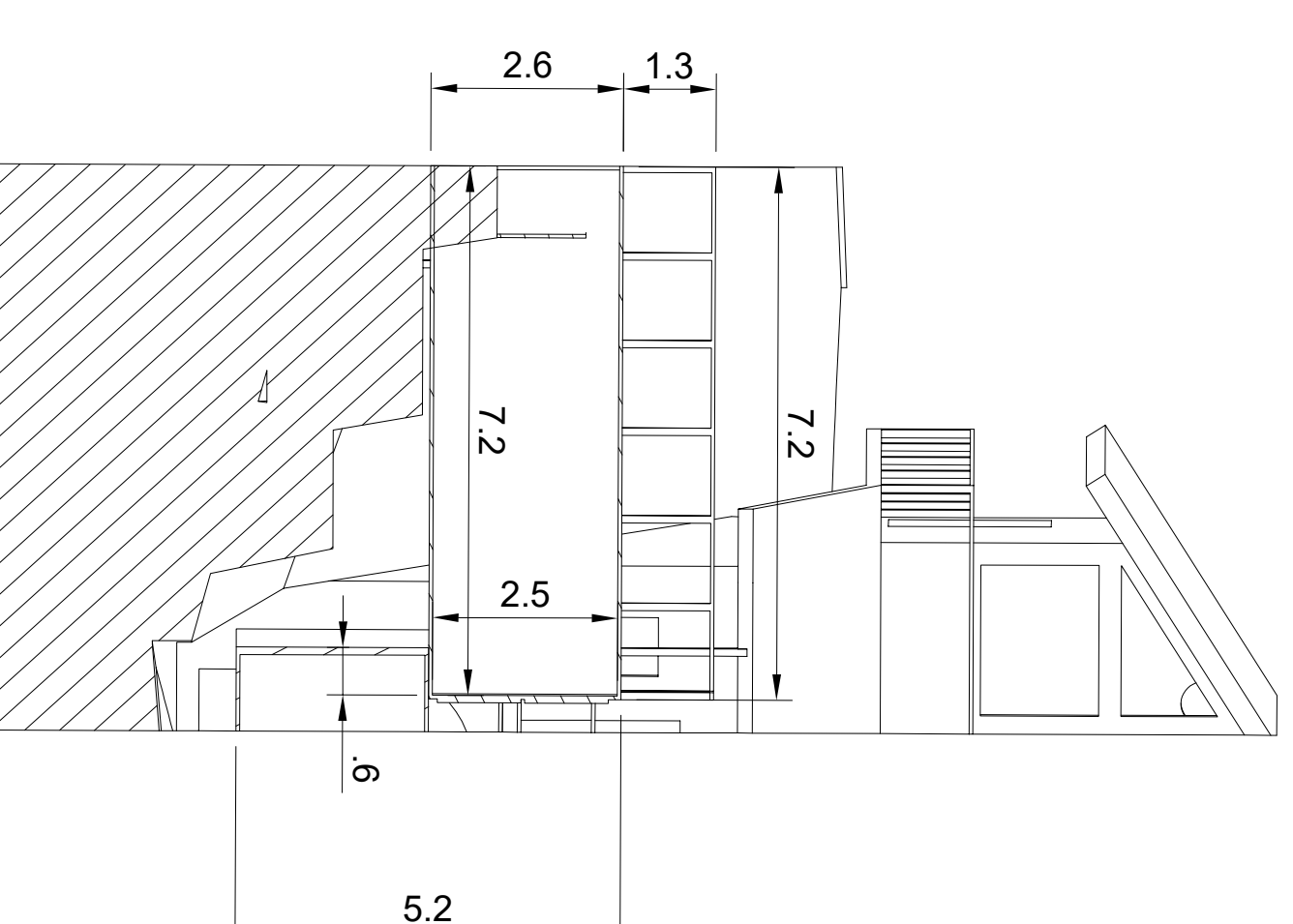
26-26 (0.01)



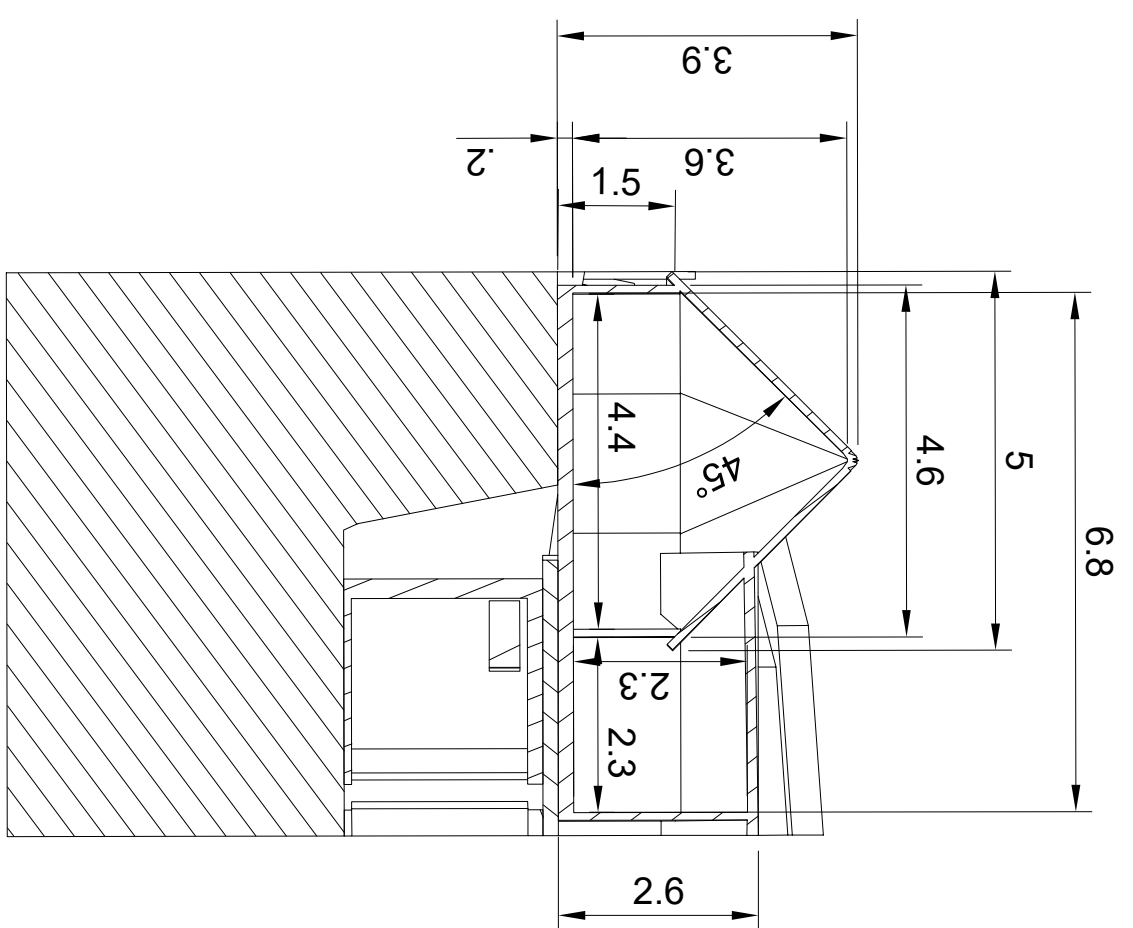
27-27 (0.01)



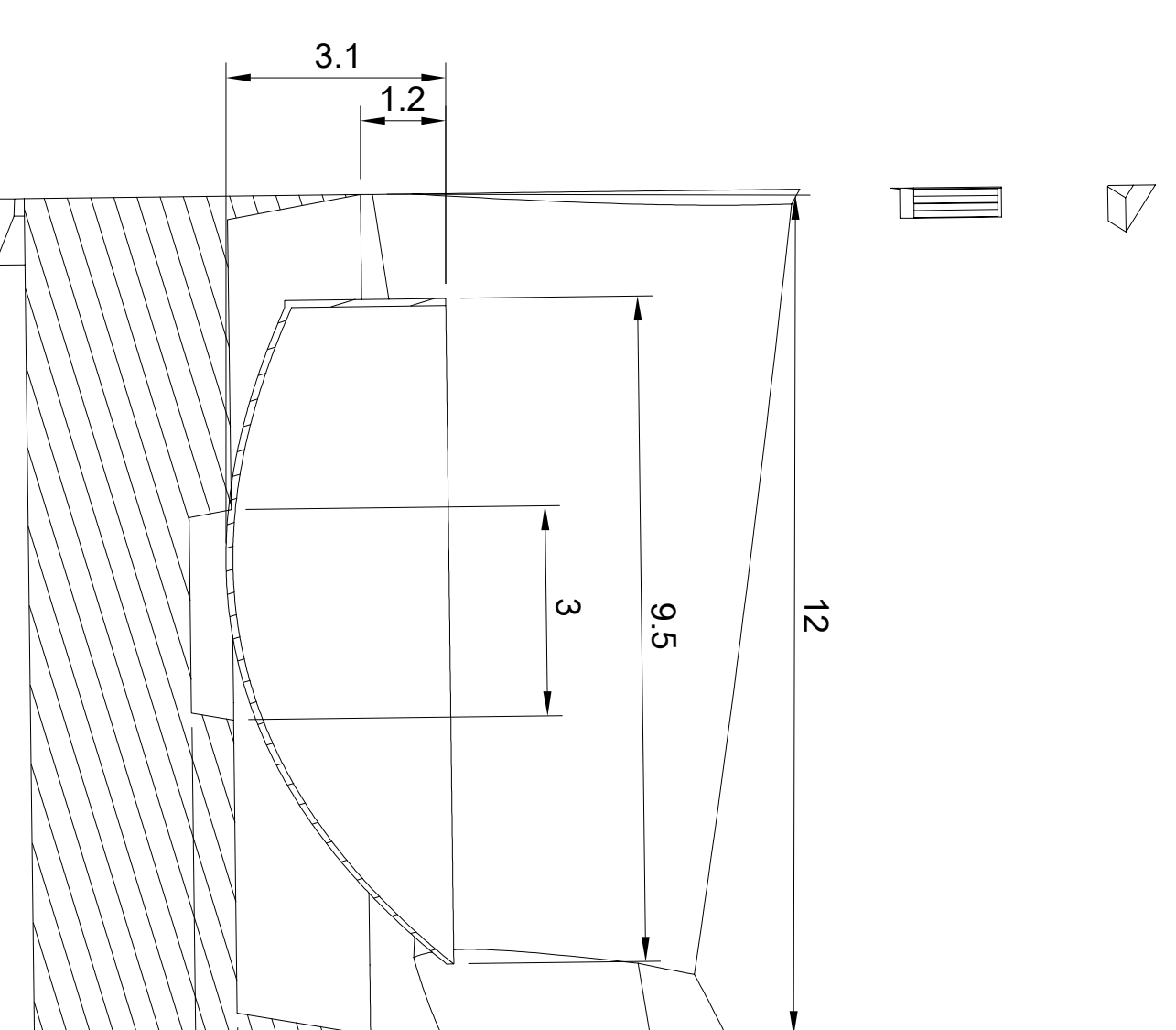
29-29 (0.01)



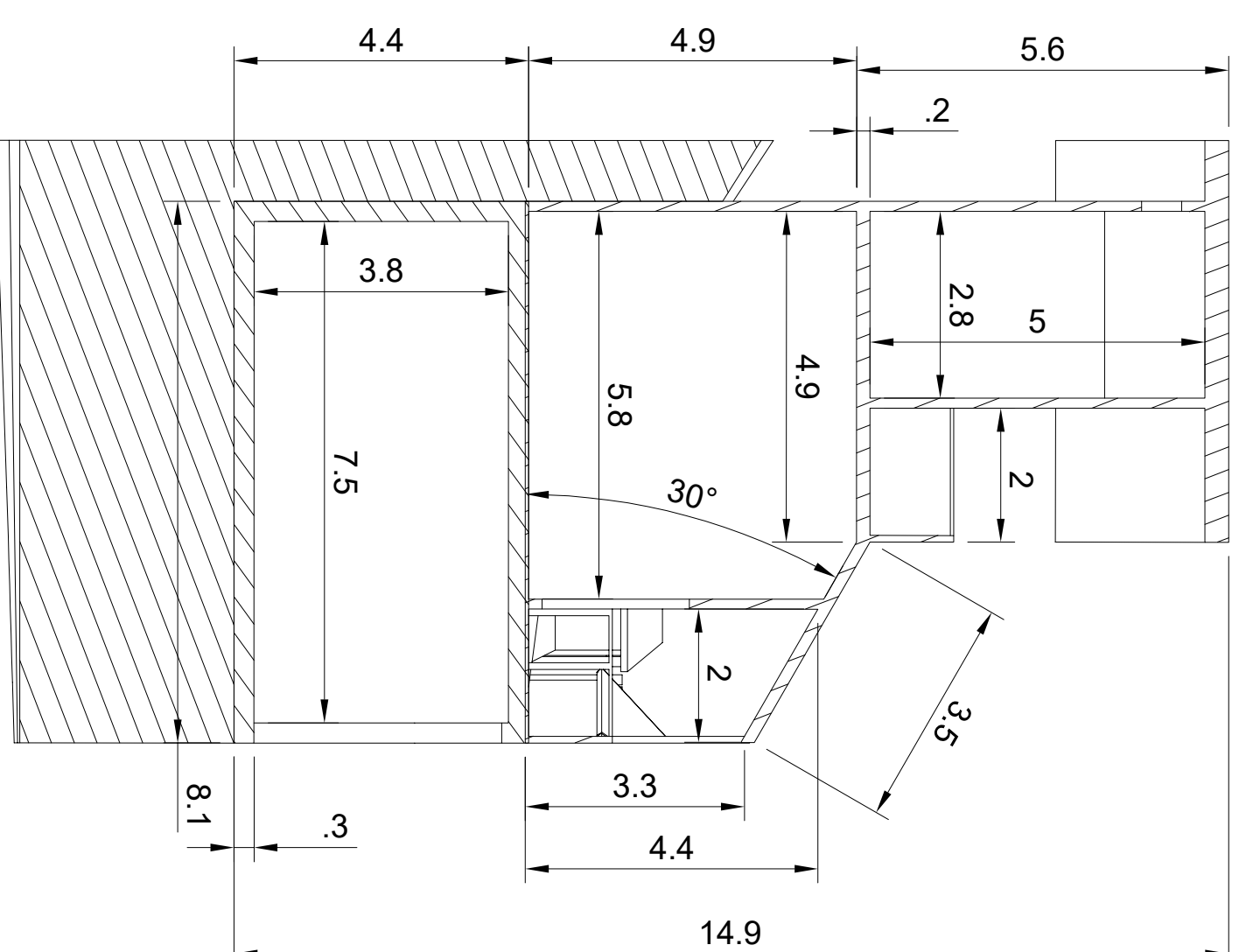
30-30 (0.01)



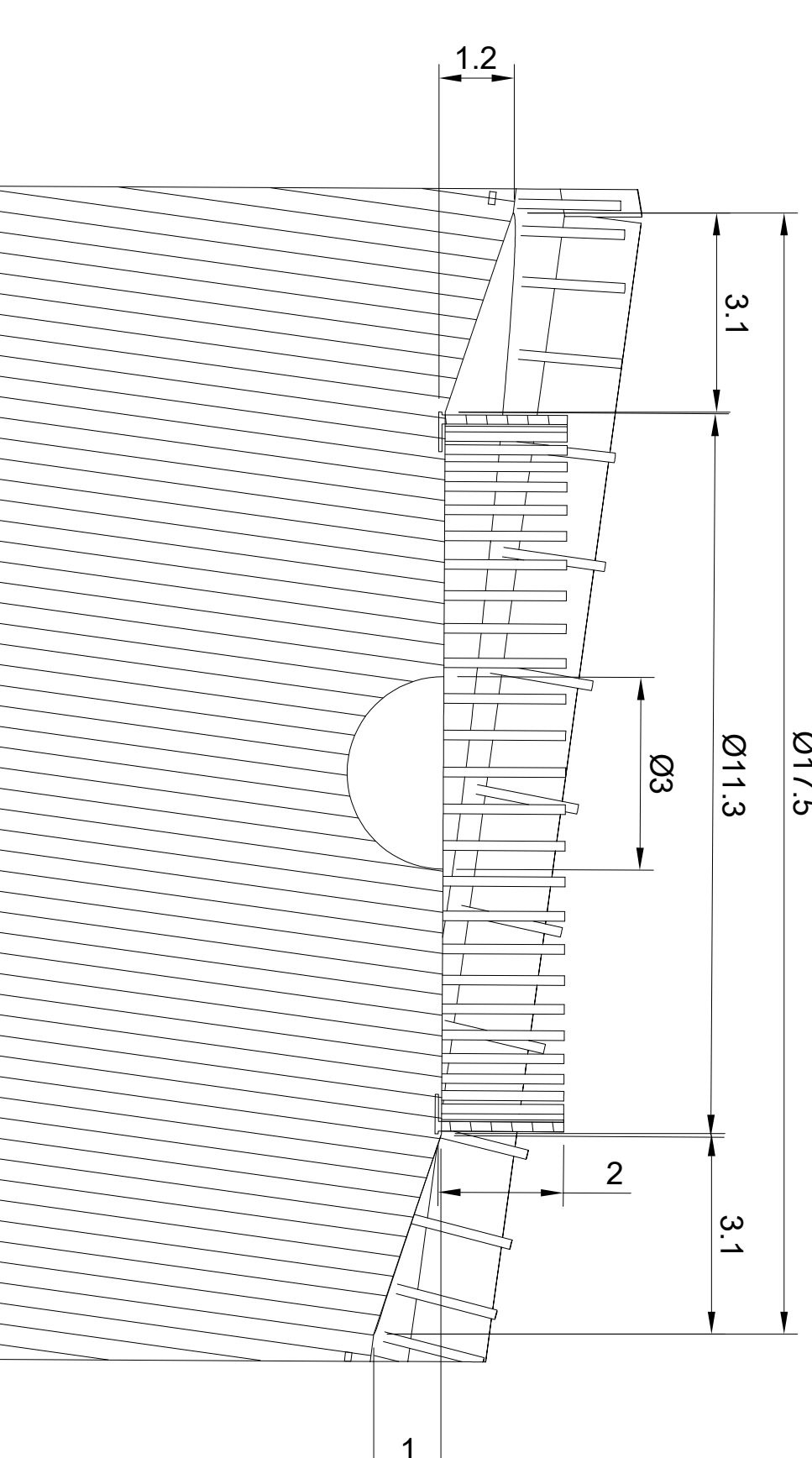
31-31 (0.01)



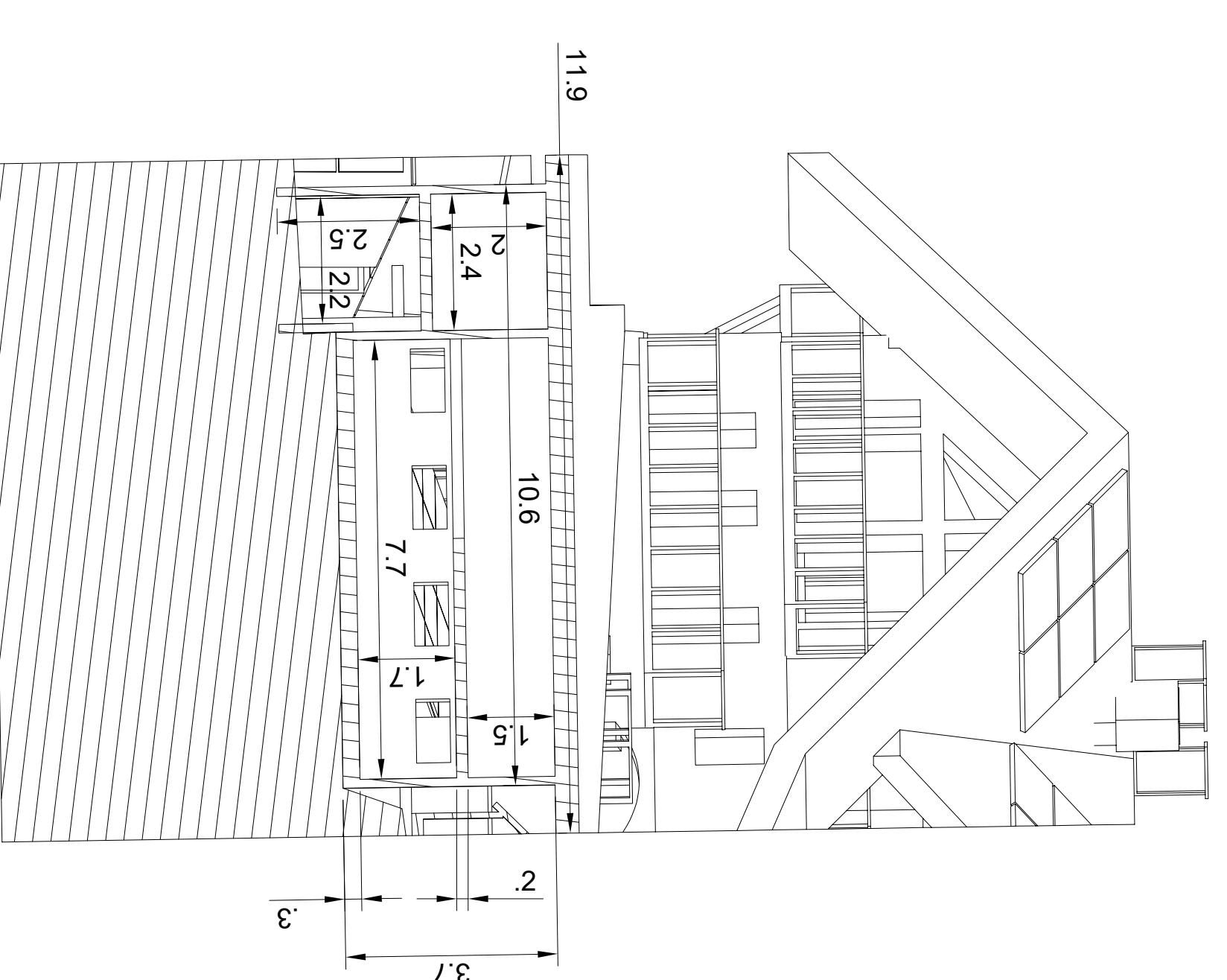
33-33 (0.01)



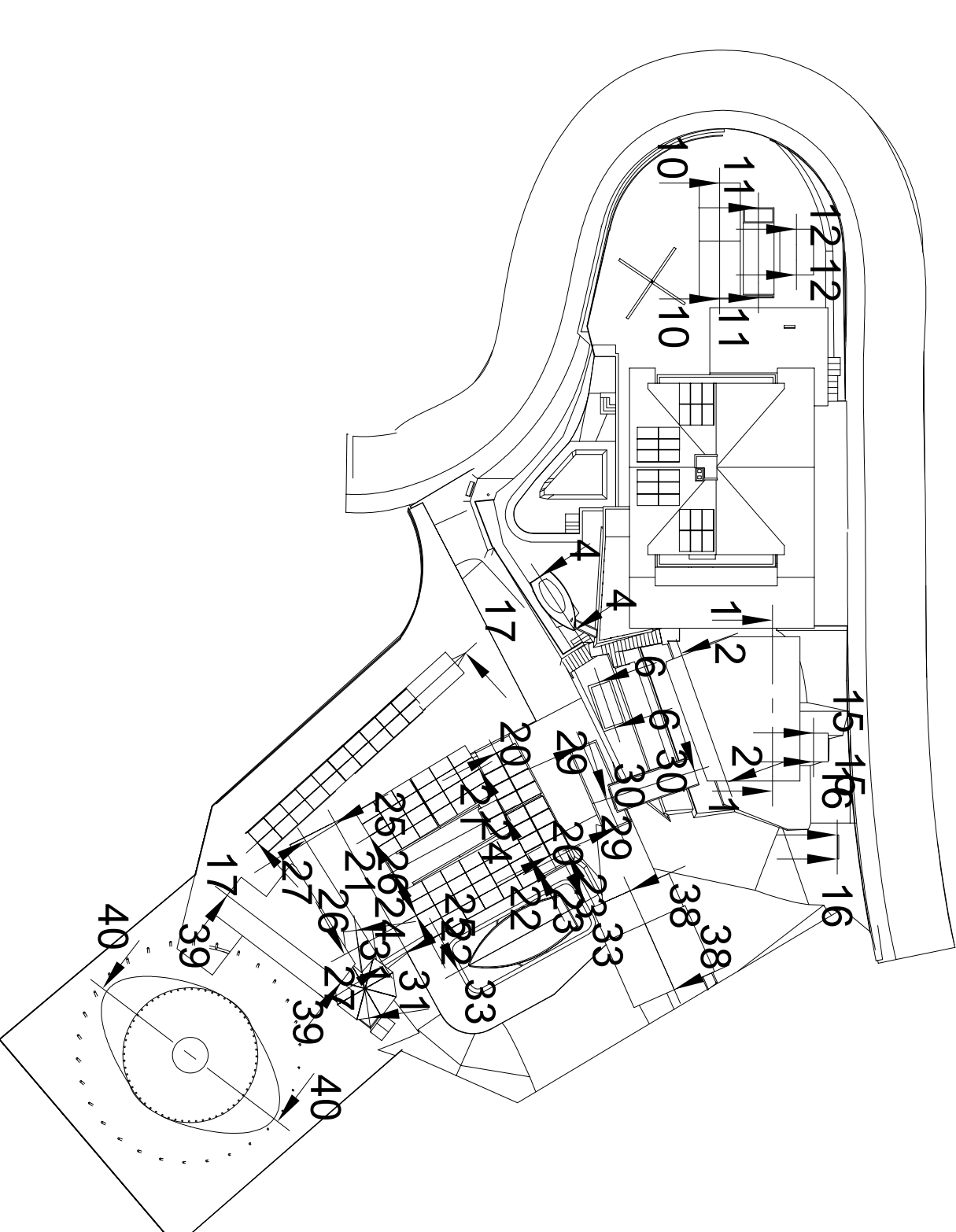
38-38 (0.01)



40-40 (0.01)



39-39 (0.01)



INICO AG 1:100

Carl Ballner 15.04.2026

Schnitte Ansicht 1 Gebötes Land Parzelle 663 & 664 E 15.04.2026

4.1 1/1