



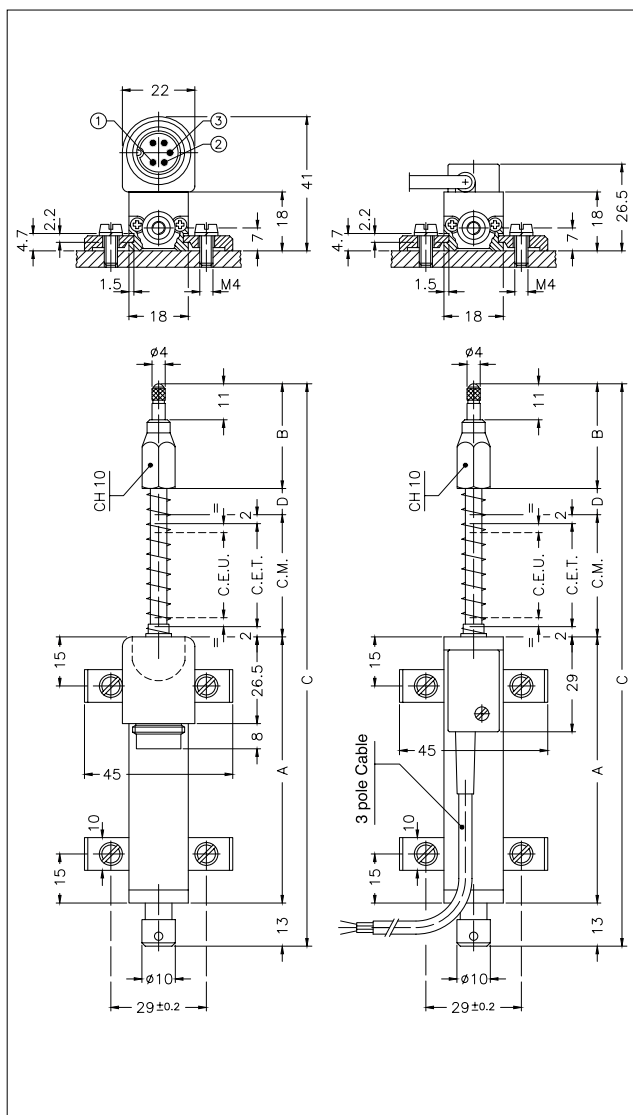
Principal characteristics

- The side connection creates a through-rod structure with double rod support, guaranteeing greater overall strength of the transducer.
- The return spring automatically returns the rod to zero position, making the transducer suitable for comparator applications.
- The tip with stainless steel ball is suitable for applications where the object to be measured is not subject to shifts transverse to the transducer axle.
- Ideal for checking the flatness or thickness of panels of various materials. Can also be used for valves or mechanical parts when the rod cannot be attached to the moving object.

TECHNICAL DATA

Useful electrical stroke (C.E.U.)	from 10 to 150 mm (for intermediate strokes see table "Electrical / Mechanical Data")
Resolution	Infinite
Independent linearity (within C.E.U.)	see table
Displacement speed	≤ 10 m/s
Displacement force	≤ 4 N
Protection level	IP40
Life	>25x10 ⁶ m strokes, or 100x10 ⁶ operations, whichever is less (within C.E.U.)
Vibrations	5...2000Hz, Amax =0,75 mm amax. = 20 g
Shock	50 g, 11ms.
Tolerance on resistance	± 20%
Recommended cursor current	< 0,1 μA
Maximum cursor current	10mA
Maximum applicable voltage	see table
Electrical isolation	>100MΩ a 500V~, 1bar, 2s
Dielectric strength	< 100 μA a 500V~, 50Hz, 2s, 1bar
Dissipation at 40°C (0W at 120°C)	see table
Actual Temperature Coefficient of the output voltage	< 1,5ppm/°C
Working temperature	-30...+100°C
Storage temperature	-50...+120°C
Case material	Anodised aluminium Nylon 66 G 25
Control rod material	Stainless steel AISI 303
Fixing	Brackets with variable longitudinal axis

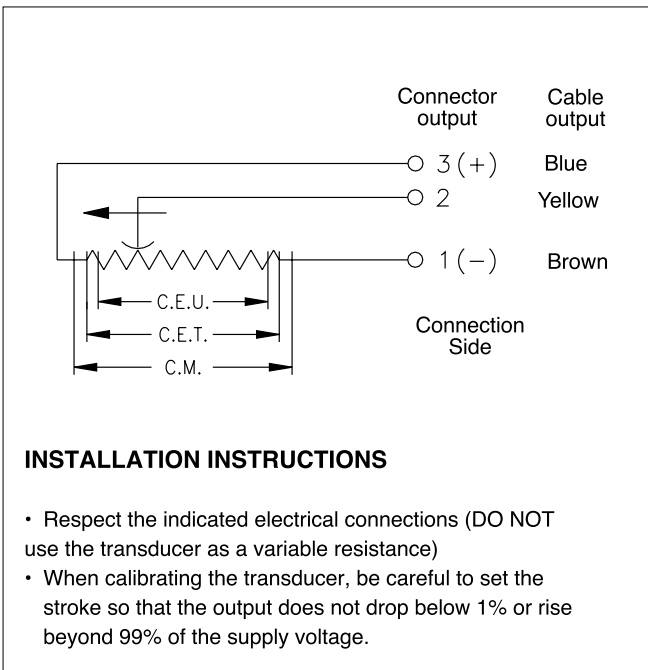
MECHANICAL DIMENSIONS



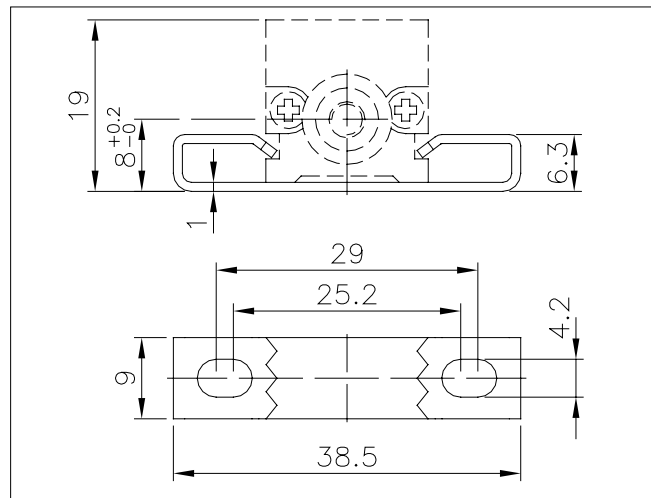
MECHANICAL / ELECTRICAL DATA

Model		10	25	50	75	100	125	150	
Useful electrical stroke (C.E.U.) +1/-0	mm	10	25	50	76	101	126	151	
Theoretical electrical stroke (C.E.T.) ±1	mm	C.E.U. +1			76	101	CEU +1		
Resistance (C.E.T.)	kΩ	1	1	5					
Independent linearity (within C.E.U.)	± %	0.3	0.2	0.1		0.07	0.05		
Dissipation at 40° (0W at 120°C)	W	0.2	0.6	1.2	1.8	2.4	3	3.6	
Maximum applicable voltage	V	14	25	60					
Mechanical stroke (C.M.)	mm	C.E.U. + 5							
Case length (A)	mm	C.E.U. + 38							
Tip length (B)	mm	32			40				
Total length (C)	mm	108	138	196	251	307	364	427	
Quote (D)	mm	-	-	-	5	11	18	31	

ELECTRICAL CONNECTIONS



OPTIONAL FIXING KIT PKIT006



ORDER CODE

Displacement transducer **PY2**

3 pole PVC cable output 3x0.25 1m	F
5 pole connector output DIN 43322	C

Model

S **M**

Cable length (in metres)

This part of the code only applies to the model with cable output

No certificate attached	0
Linearity curve to be attached	L
Standard mounting brackets (PKIT005)	X
Optional mounting brackets (PKIT006)	S
Color of plastic heads (green)	0

0 0 0 X 0 0 0 0 0

Ex.: **PY2 - C - 100**
Displacement transducer model PY2, 5-pole connector output, useful electrical stroke (C.E.U.) 100mm.

ACCESSORIES

STANDARD ACCESSORIES

Fixing kit: 4 brackets, M4x10 screws, washer

PKIT005

Fixing kit: 2 "wraparound" brackets (0000X000S00 configurator option)

PKIT006

Tip with bal

PTAS000



OPTIONAL ACCESSORIES

5-pin axial female PCB connector DIN43322 IP40 clamp for wire $\varnothing 4 - \varnothing 6$ mm

CON011

5-pin axial female PCB connector DIN43322 IP65 clamp PG7 for wire $\varnothing 4 - \varnothing 6$ mm

CON012

5-pin 90° radial female PCB connector DIN43322 IP40 clamp for wire $\varnothing 4 - \varnothing 6$ mm

CON013

GEFRAN spa reserves the right to make any kind of design or functional modification at any moment without prior notice