



Principal characteristics

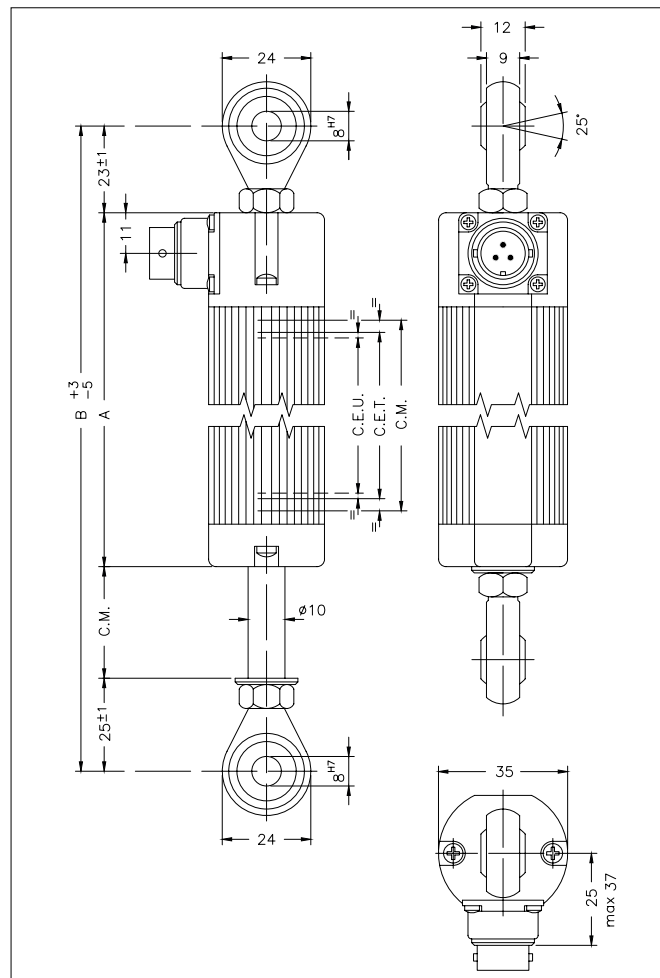
- The transducer is designed to satisfy extreme applicative demands in terms of mechanical strength.
- The 10 mm diameter rod, large steel joints, and reinforced structure make this series mechanically ideal for metalworking, woodworking, and ceramics.
- Installation is simplified by the lack of electrical signal variation at output outside theoretical electrical stroke.
- The structure based on self-aligning and weight-bearing ball joints permits assembly with free movement of the transducer axle.



TECHNICAL DATA

Useful electrical stroke (C.E.U.)	from 50 to 1300 mm (for intermediate strokes see table "Electrical / Mechanical Data")
Independent linearity (within C.E.U.)	± 0,05%
Resolution	Infinite
Repeatability	0.01 mm
Protection	IP65
Displacement speed	≤ 5 m/s
Displacement force	≤ 15 N
Life	> 25x10 ⁶ m strokes, or > 100x10 ⁶ operations, whichever is less (within C.E.U.)
Vibrations	5...2000Hz, Amax =0.75 mm amax. = 20 g
Shock	50 g, 11ms.
Tolerance on resistance	± 20%
Recommended cursor current	< 0.1 μA
Maximum cursor current	10mA
Max. applicable voltage	60V
Electrical isolation	>100MΩ at 500V~, 1bar, 2s
Dielectric strength	< 100μA at 500V~, 50Hz, 2s, 1bar
Dissipation at 40°C (0W at 120°C)	3W
Actual Temperature Coefficient of the output voltage	≤ 5 ppm/°C
Working temperature	-30...+100°C
Storage temperature	-50...+120°C
Case material	Anodised aluminium Nylon 66 G
Control rod material	Stainless steel AISI 303
Fixing	2 selfloading and selfaligning ball-joints

MECHANICAL DIMENSIONS



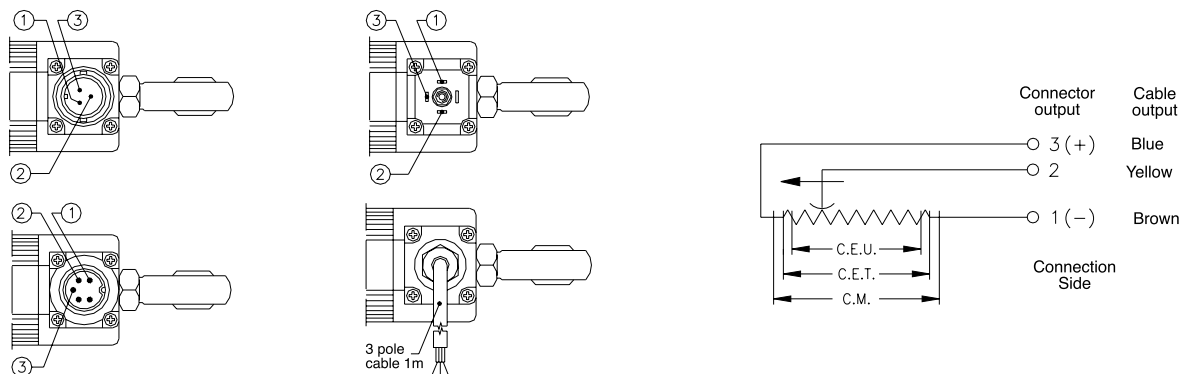
Important: all the data reported in the catalogue linearity, lifetime, temperature coefficient are valid for a sensor utilization as a ratiometric device with a max current across the cursor $I_c \leq 0.1 \mu A$.

MECHANICAL / ELECTRICAL DATA

MODEL		50	75	100	130	150	175	200	225	275	300	360	375	400	450	500	600	750	800*	850*	950*	1300*		
Useful electrical stroke (C.E.U.) +3/-0	mm	50	75	100	130	150	175	200	225	275	300	360	375	400	450	500	600	750	800	850	950	1300		
Theoretical electrical stroke (C.E.T.) ± 1	mm	C.E.U. + 3						C.E.U. + 4						364	380	406	457	508	609	762	813	863	965	1320
Resistance (C.E.T.)	kΩ	5																10						
Mechanical stroke (C.M.)	mm	C.E.U. + 9						C.E.U. + 10						371	386	412	463	518	619	772	823	873	975	1330
Case length (A)	mm	C.E.U. + 130.5						C.E.U. + 131.5						497.5	513.5	539.5	590.5	665.5	766.5	919.5	970.5	1020.5	1122.5	1477.5
Min. distance between ball-joints (B)	mm	C.E.U. + 179						C.E.U. + 180						546	562	588	639	715	815	968	1019	1069	1171	1526

* = Only for vertical installations

ELECTRICAL CONNECTIONS



INSTALLATION INSTRUCTIONS

- Respect the indicated electrical connections (DO NOT use the transducer as a variable resistance)
- When calibrating the transducer, be careful to set the stroke so that the output does not drop below 1% or rise beyond 99% of the supply voltage.

ORDER CODE

Displacement transducer **PC**

3-pole connector output	H
4-pole connector output	M
DIN43650 ISO4400	
5-pole connector output	B
DIN45322	
3-pole PVC cable output	F
3x0,25 1m	

Model

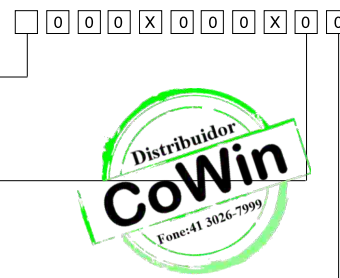
No certificate attached	0
Linearity curve to be attached	L

Cable length: 1 m	0
Cable length: 2 m	2
Cable length: 3 m	3
Other lengths on request

Color of plastic heads (green)	0
--------------------------------	----------

Ex.: **PC - M - 275**

Displacement transducer model PC, 4 pole connector output
DIN43650 - ISO 4400, useful electrical stroke (C.E.U.) 275mm



OPTIONAL ACCESSORIES

4-pin 90° radial female PCM connector INDUSTRIAL STANDARD EN175301 spacing 9,4 mm IP65 PG7 for cable ø4 - ø6 mm

CON008

3-pin axial female PCH connector IP40 clamp for wire ø4 - ø6 mm

CON002

5-pin axial female PCB connector DIN43322 IP40 clamp for wire ø4 - ø6 mm

CON011

5-pin axial female PCB connector DIN43322 IP65 clamp PG7 for wire ø4 - ø6 mm

CON012

5-pin 90° radial female PCB connector DIN43322 IP40 clamp for wire ø4 - ø6 mm

CON013

GEFRAN spa reserves the right to make any kind of design or functional modification at any moment without prior notice

GEFRAN spa
via Sebina, 74
25050 PROVAGLIO D'ISEO (BS) - ITALIA
tel. 0309888.1 - fax. 0309839063
Internet: <http://www.gefran.com>

GEFRAN

DTS_PC_07-2021_ENG