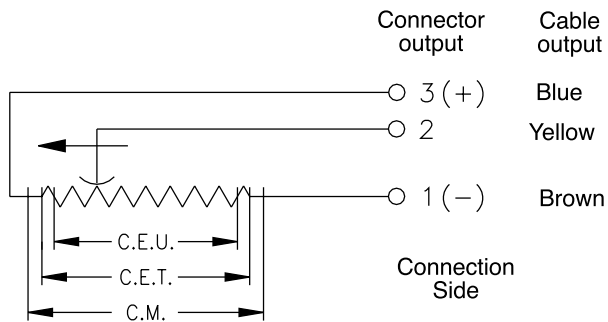




## MECHANICAL / ELECTRICAL DATA

Model		25	50	75	100	125	150	175
Useful electrical stroke (C.E.U.) + 1 / -0	mm	25	50	75	100	125	150	175
Theoretical electrical stroke (C.E.T.) ± 1	mm	C.E.U. +1						
Resistance (on C.E.T.)	kΩ	1	5					
Independent linearity (within C.E.U.)	± %	0.2	0.1	0.1	0.07	0.05		
Dissipation at 40°C (0W at 120°C)	W	0.6	1.2	1.8	2.4	3	3.6	4.2
Maximum applicable voltage	V	25	60					
Mechanical stroke (C.M.)	mm	C.E.U. +5						
Case length (A)	mm	C.E.U. +49.5						
Total length (B)	mm	113.2	163.2	213.2	263.2	313.2	363.2	413.2

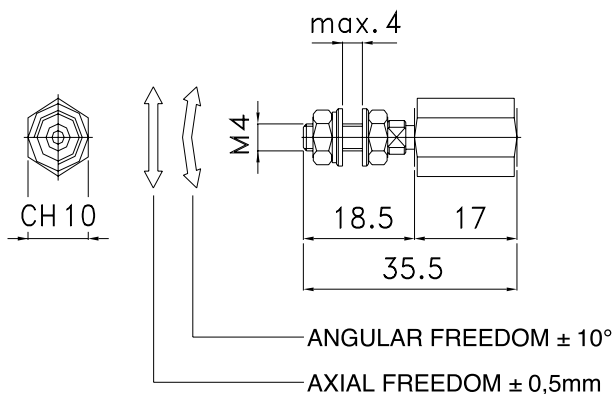
## ELECTRICAL CONNECTIONS



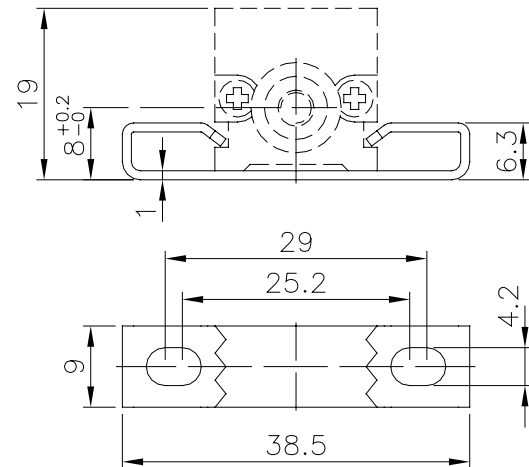
## INSTALLATION INSTRUCTIONS

- Respect the indicated electrical connections (DO NOT use the transducer as a variable resistance)
- When calibrating the transducer, be careful to set the stroke so that the output does not drop below 1% or rise beyond 99% of the supply voltage.

## COUPLING JOINT



## OPTIONAL FIXING KIT PKIT006



## ORDER CODE

Displacement transducer **PA1**

3 pole PVC cable output 3x0.25 1m.	F
5 pole connector output DIN 43322	C

Model

S M

Cable length (in meters)

This part of the code only applies to the model with cable output

0 0 0 X 0 0 0 0 0 0

No certificate attached

0

Linearity curve to be attached

L

Standard mounting brackets (PKIT005)

X

Optional mounting brackets (PKIT006)

S

Color of plastic heads (green)

0



Ex.: **PA1 - C - 100**

Displacement transducer model PA1, 5 pole connector output, useful electrical stroke (C.E.U.) 100mm

## ACCESSORIES

### STANDARD ACCESSORIES

Fixing kit: 4 brackets, M4x10 screws, grower **PKIT005**

Fixing kit: 2 "wraparound" brackets (0000X000S00 configurator option) **PKIT006**

Coupling joint **PKIT020**



### OPTIONAL ACCESSORIES

5-pin axial female PCB connector DIN43322 IP40 clamp for wire  $\varnothing 4$  -  $\varnothing 6$  mm **CON011**

5-pin axial female PCB connector DIN43322 IP65 clamp PG7 for wire  $\varnothing 4$  -  $\varnothing 6$  mm **CON012**

5-pin 90° radial female PCB connector DIN43322 IP40 clamp for wire  $\varnothing 4$  -  $\varnothing 6$  mm **CON013**

**GEFRAN spa** reserves the right to make any kind of design or functional modification at any moment without prior notice