

# Technical Data Sheet



HPE Aruba to Extreme Networks Adaptor  
SKU: MQ-AEN-ADAPT

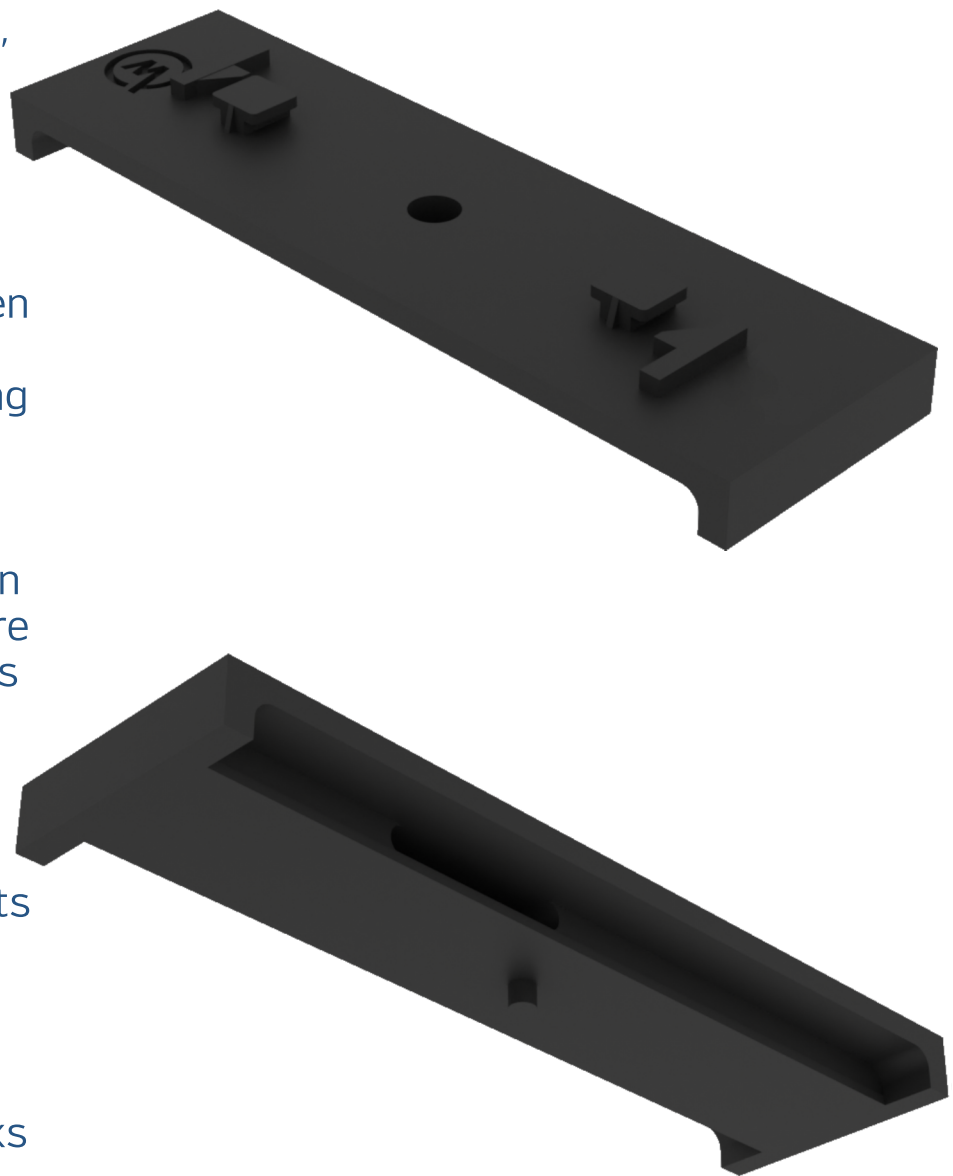
Designed to enable a seamless in situ replacement installation of access points, the HPE Aruba to Extreme Networks Adaptor by MarQuest is the perfect solution to your wireless infrastructure refresh.

The adaptor simplifies transitions between vendors without costly rework or additional ceiling infrastructure by allowing reuse of existing ceiling mounts for cost efficiency and sustainability.

Its quick and easy tool-less snap-in design reduces installation time, offering a secure and reliable adapter to mount your access points to.

Maintaining a discreet profile behind the access point for clean aesthetics, the adapter is suitable for restructure projects or vendor migration in a variety of environments and sectors.

Compatible with existing HPE Aruba 300 series Access Points to Extreme Networks XIQ Access Points.



## Features

Material: Acrylonitrile Butadiene Styrene (ABS)

Colour: Black

Size: 14cm (W) x 1.2cm (H) x 4cm (D)

Weight: 0.017kg

Recommended Temperature Range: 10°C–40°C

Supported Access Point Brands: HPE Aruba 300 Series and Extreme Networks XIQ

Access Points and mounting brackets not included.



Document Title:	HPE Aruba to Extreme Networks Adaptor
Version Status:	Issued
Classification:	Public
Approved by:	R McGinnis
Approval Date:	29/04/2026
Version:	1.3





**Disclaimer:**

To ensure optimal performance and longevity, please handle the product with care. MarQuest is not responsible for damage resulting from misuse, accidental drops, or improper handling.

Please note: The design of this product is a registered design and is protected under applicable intellectual property laws. Unauthorised reproduction or imitation is strictly prohibited.

**Waste Disposal Information:**

The HPE Aruba to Extreme Networks Adaptor is made from Acrylonitrile Butadiene Styrene (ABS). Non hazardous.

**Disposal Recommendation:**

If reuse is not feasible, dispose of this product responsibly. Please check with local recycling centers for acceptance of ABS. Do not incinerate.

**Environmental Consideration:**

Keep away from direct sunlight. Please dispose of responsibly and avoid littering. For the most accurate and up-to-date guidance, consult your local council's waste disposal guidelines.

**Shipping Information:**

Solid ABS plastic product - non-hazardous, not regulated for transport.

**Country of Origin:**

England

**Manufacturer:**

MarQuest Limited, 22 Trinity Lane, Beverley, HU17 0DY

**UK Registered Design Number:**

6478389

---

Revision Date	By	Number	Details
09/10/2025	NM	1.0	Initial Release
08/12/2025	NM	1.1	Added Recommended Temperature Range and Design Number
15/01/2026	NM	1.2	Amended Design Number heading
29/04/2026	NM	1.3	Updates images

www.marquest.com  
+44 1482 886161  
enquire@marquest.com

