

Technical Data Sheet



MarQuest Right-Angled AP Bracket
SKU: MQ-RAB

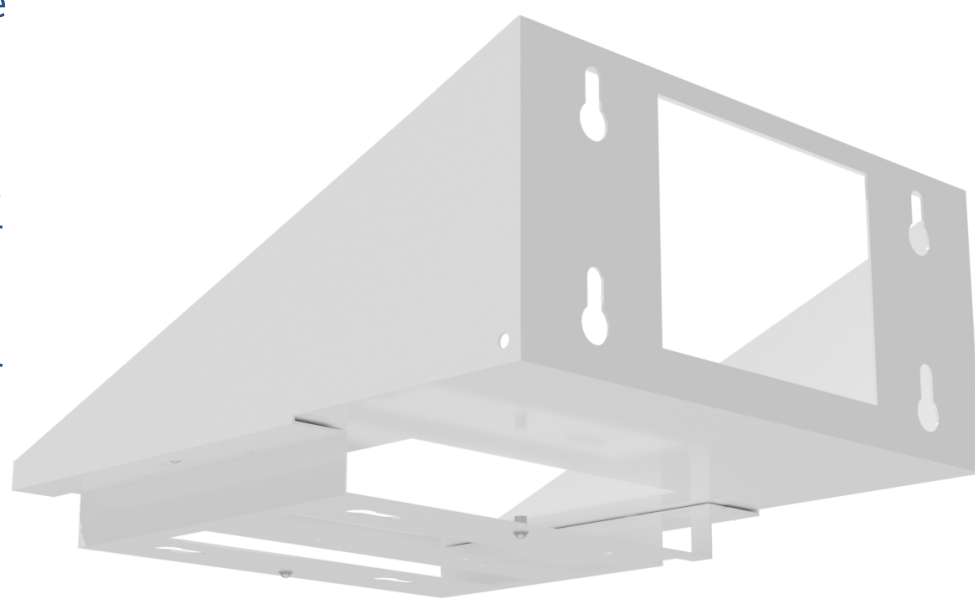
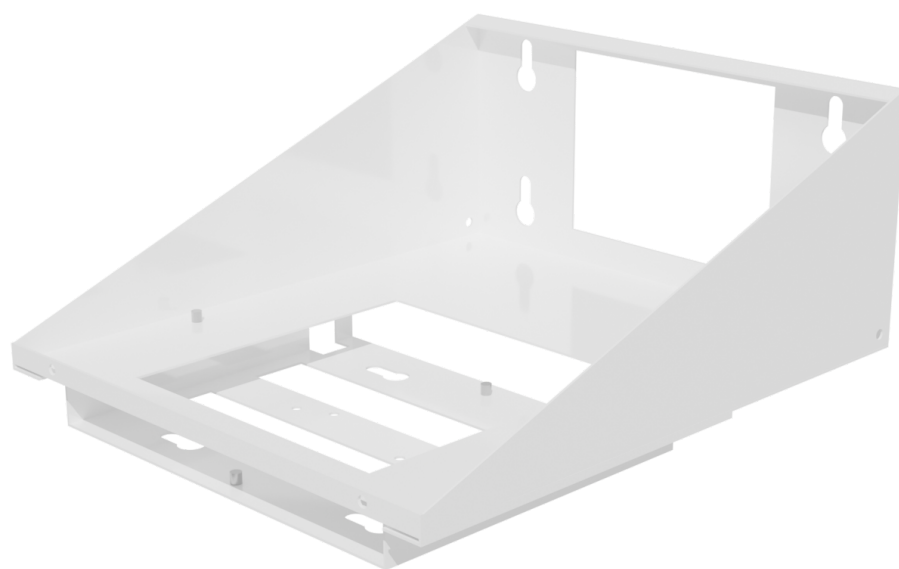
MarQuest's new Right-Angled AP Bracket accepts most HPE Aruba, Extreme Networks (XIQ), Ruckus, Juniper (Mist), Cisco and Meraki access points and allows for mounting horizontally on a wall or pillar.

As part of our modular range, the Right-Angled AP Bracket is used with our interchangeable mounting plates, coming in two sizes suited for your needs.

The mounting plates easily slide in and are secured in place with a discrete latch mechanism.

This unique design offers space for cables and a backbox which can be hidden by our optional cover for a tidy and neat look.

Access points can be attached using their manufacturer-specific mechanisms.



Features

Material: Zintec (Zinc Coated Metal)

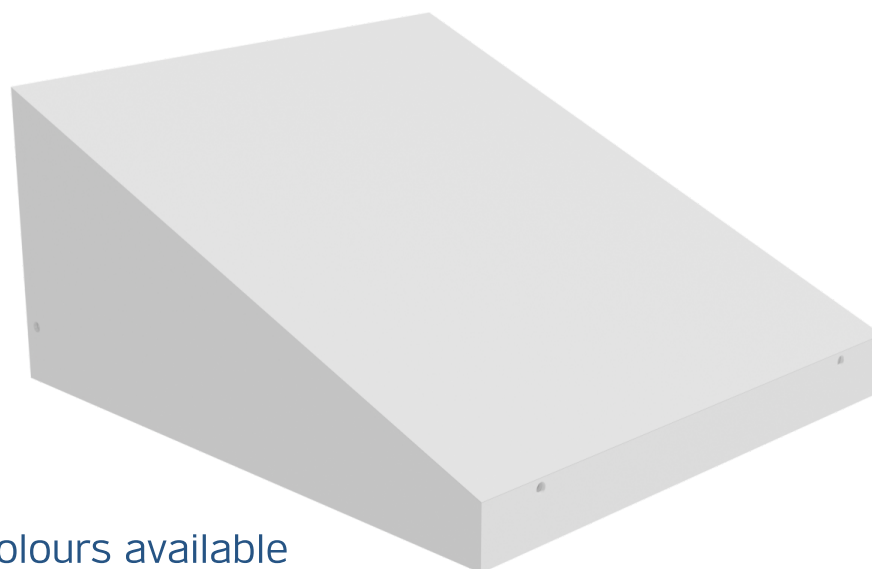
Size: 24cm (W) x 12.5cm (H) x 26cm (D)

Weight: 1.2kg without cover/ 2.2kg with cover

Add On: Cover, Type A mount, Type B mount

Colour: White Powder Coated Steel. Custom colours available

Supported Access Point Brands: HPE Aruba, Extreme Networks (XIQ), Ruckus, Juniper (Mist), Cisco, Meraki



Document Title:	MarQuest Right-Angled Access Point Bracket Data Sheet
Version Status:	Issued
Classification:	Public
Approved by:	R McGinnis
Approval Date:	16/04/2026
Version:	1.0





Disclaimer:

To ensure optimal performance and longevity, please handle the product with care. MarQuest is not responsible for damage resulting from misuse, accidental drops, or improper handling.

Please note: The design of this product is a registered design and is protected under applicable intellectual property laws. Unauthorised reproduction or imitation is strictly prohibited.

Product Range:

Please refer to the Product Selection Guide.

Waste Disposal Information:

The MarQuest Right-Angled Access Point Bracket is made of recyclable steel.

Disposal Recommendation:

Please contact your local License Waste Carrier to arrange disposal of this product.

Environmental Consideration:

Please dispose of responsibly and avoid littering.

For the most accurate and up-to-date guidance, consult your local council's waste disposal guidelines.

Country of Origin:

England

Manufacturer:

MarQuest Limited, 22 Trinity Lane, Beverley, HU17 0DY

UK Registered Design Number:

6478394

6478393

Revision Date	By	Number	Details
16/04/2026	NM	1.0	Initial Release

www.marquest.com
+44 1482 886161
enquire@marquest.com

