

Technical Data Sheet



Fi-Fix Mounting Plates Type A/B
 SKU: MQ-TYPE-A
 MQ-TYPE-B

MarQuest's new Mounting Plates are a universal and future-proof solution to the ever-changing world of AP mounting methods.

As part of our Fi-Fix Modular Mounts range, they can be used with our Right-Angled AP Bracket (MQ-RAB), AP Drop Mount (MQ-DMNT) and Antenna Mount (MQ-ANT-MNT) in an array of environments.

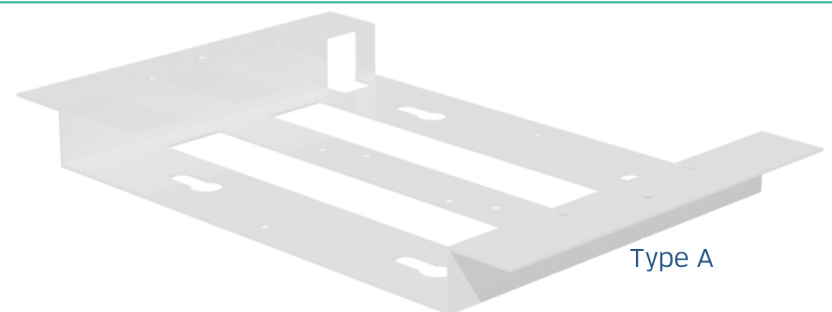
Available in two depths, the interchangeable Mounting Plates easily slide in and are secured in place with a discrete latch mechanism.

Our Type A mounting plate pairs perfectly with the Right-Angled AP Bracket offering a sleek and compact look, with easy access for cable management and patching.

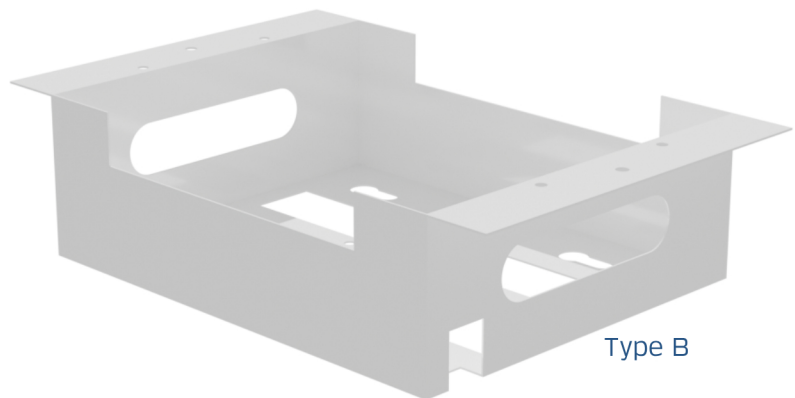
Recommended to use with our AP Drop Mount and Antenna Mount is our Type B mounting plate, offering plenty of space to conceal cables for a tidy and neat look.

Access points are attachable using their manufacturer-specific mechanisms.

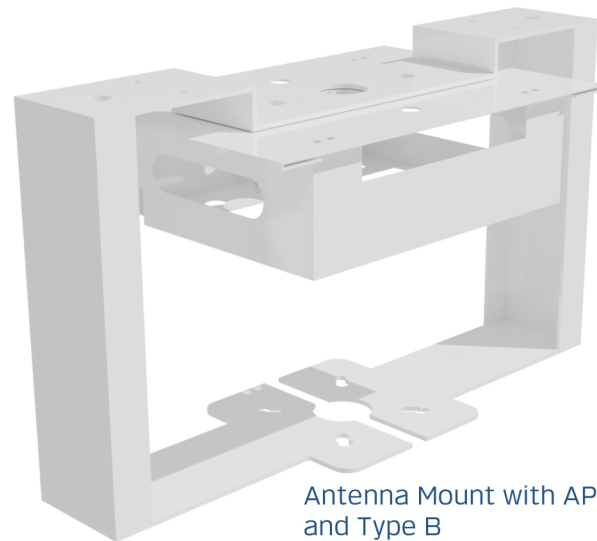
See Fi-Fix Modular Mounts Product Buying Guide for more information.



Type A



Type B



Antenna Mount with AP Drop Mount and Type B

Features

Material: Zintec (Zinc Coated Metal)

Size: 23.5cm (W) x 2.2cm (H) x 15cm (D) Type A
 23.5cm (W) x 6.1cm (H) x 15cm (D) Type B

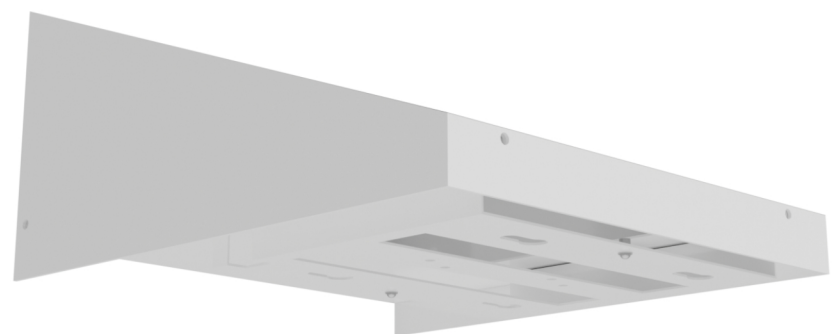
Weight: 0.32kg Type A / 0.54kg Type B

Recommended Temperature Range: 10°C - 50°C

Compatibility: Fi-Fix Modular Mounts. Indoor use only

Colour: White Powder Coated Steel

Supported Access Point Brands: HPE Aruba, Extreme Networks XIQ, Ruckus, Juniper (Mist), Cisco, Meraki



Right-Angled AP Bracket with Type A mount

Document Title:	Fi-Fix Mounting Plates Data Sheet
Version Status:	Issued
Classification:	Public
Approved by:	R McGinnis
Approval Date:	14/05/2026
Version:	1.0





Disclaimer:

To ensure optimal performance and longevity, please handle the product with care. MarQuest is not responsible for damage resulting from misuse, accidental drops, or improper handling.

Please note: The design of these products are a registered design and is protected under applicable intellectual property laws. Unauthorised reproduction or imitation is strictly prohibited.

Maximum Safe Working Load:

10kg based on installation using approved fixings into structurally sound surfaces, in accordance with Installation Guide. Do not exceed the specified safe working load.

Installation:

Please refer to the appropriate Fi-Fix Installation Guide for which the Mounting Plates are being used for. These mounts must be installed by a competent person using suitable fixings appropriate for the mounting surface. Failure to install correctly may result in damage or injury. Product is intended for indoor mounting of Wi-Fi Access Point equipment only.

Product Range:

Please refer to the Fi-Fix Modular Mounts Product Buying Guide.

Waste Disposal Information:

The Fi-Fix Mounting Plates are made of recyclable steel.

Disposal Recommendation:

Please contact your local License Waste Carrier to arrange disposal of this product.

Environmental Consideration:

Please dispose of responsibly and avoid littering.

For the most accurate and up-to-date guidance, consult your local council's waste disposal guidelines.

Country of Origin:

England

Manufacturer:

MarQuest Limited, 22 Trinity Lane, Beverley, HU17 0DY

UK Registered Design Number:

6478390

Revision Date	By	Number	Details
14/05/2026	NM	1.0	Initial Release

www.marquest.com
+44 1482 886161
enquire@marquest.com

