

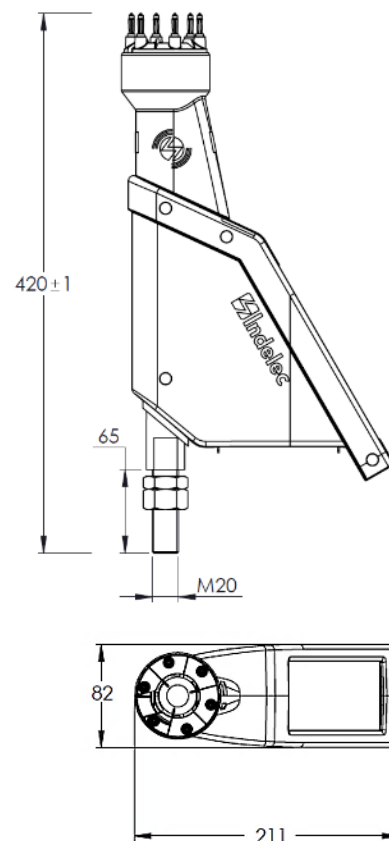
# PREVECTRON® 3 CONNECT MODULE

## IoT CONNECTED

Reference	P1586
<b>Specifications</b>	
Adaptability	Plug & Play module for all 5 Prevector®3 models -- Factory pairing based on the Prevector®3 unit Serial Number
Prevector®3 Connect remote information	via <a href="http://www.indelec-connect.com">www.indelec-connect.com</a> : -ESE Lightning rod status -battery level -GSM signal quality
Communication	GSM/GPRS Quad-Band compatible 2G and above
Power Supply	High Performance LiFePo4 Battery 3 200mA.h – 3.2V
Battery Charge	Monocrystalline Glass-coated Solar panel
Lightning Strike Counter	Integrated Type 1 Lightning Strike Counter Patented contactless counting technology $I_{imp\ min} = 2kA$ $I_{imp\ max} = 100kA$
Module central rod	Full electrical continuity 200mm <sup>2</sup> section – Nickel plated Copper
Module / Prevector connection	Fast Connect Technology Plug-in system
Operating Temperature range	-15°C to + 55°C
Relative Humidity	0% HR to 100% HR
Max. Operating Altitude	4000 m HASL (Height Above Sea Level)
Ingress Protection	IP 54
Fixing on pole	M20 Thread
Maintenance	Battery Replacement Kit réf. P1599
Warranty (excluding battery)	5 years
<b>Packing</b>	
Dimensions	470 x 250 x 165 mm
Gross Weight	3.000 kg
<b>Certifications - Standards</b>	
Qualifoudre	Ineris certificate N° N°051166662001
ISO 9001 : 2015	Bureau Veritas certificate
Lightning Flash Counter	NF EN 62 561-6:2018 Edition 2
CE Marking	Attestation N°IND-CE-16122020
Eco Label	AFAQ N°1335.2 11/2014 Certificate



Dimensions (mm)



PREVECTRON 3®  
(not included)



CONNECT  
MODULE



Installation and user guide  
ref. C4207

