

宁波方铭科技有限公司

NINGBO FANGMING TECHNOLOGY CO.,LTD




防撬密码锁
Pickproof combination lock

普通密码锁
Common combination lock

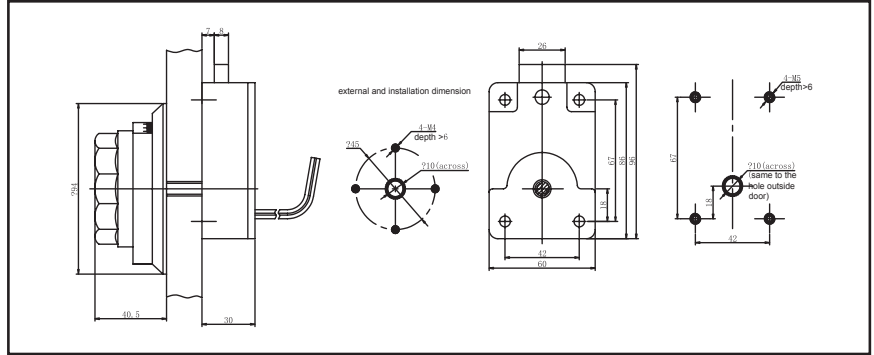
弹子锁
Pin tumbler lock

手把
Handle bar


101-FDS-II

防火柜机械密码锁  Fireproof cabinet mechanical combination lock

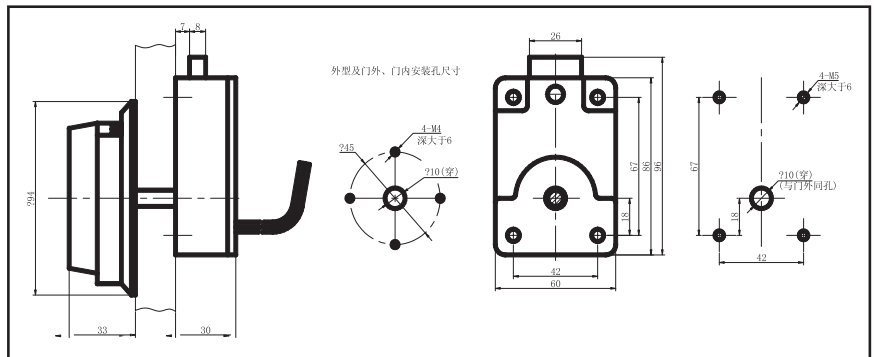
黄铜阀体，锌合金镀铬，黑色喷漆
Brass body Zinc alloy Chrome plated Black painting




102-FDS-II

防火柜机械密码锁  Fireproof cabinet mechanical combination lock

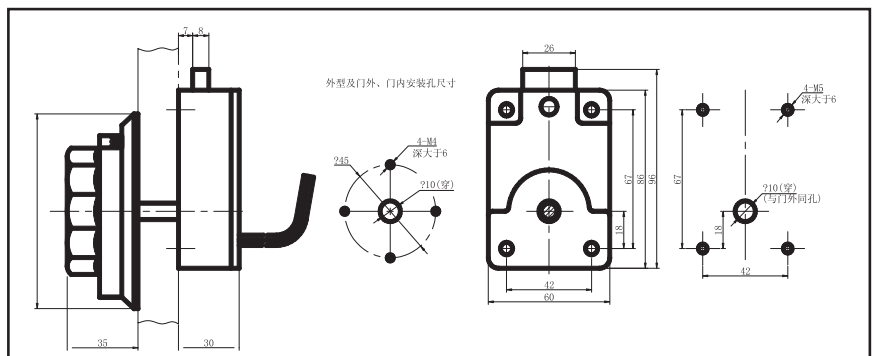
黄铜阀体，锌合金，镀钛
Brass body Zinc alloy Titanium plated



103-FDS-II

防火柜机械密码锁  Fireproof cabinet mechanical combination lock

黄铜体镀铬
Brass body Chrome plated



108-FDS-II

黄铜阀体，锌合金镀铬
Brass body Zinc alloy Chrome plated



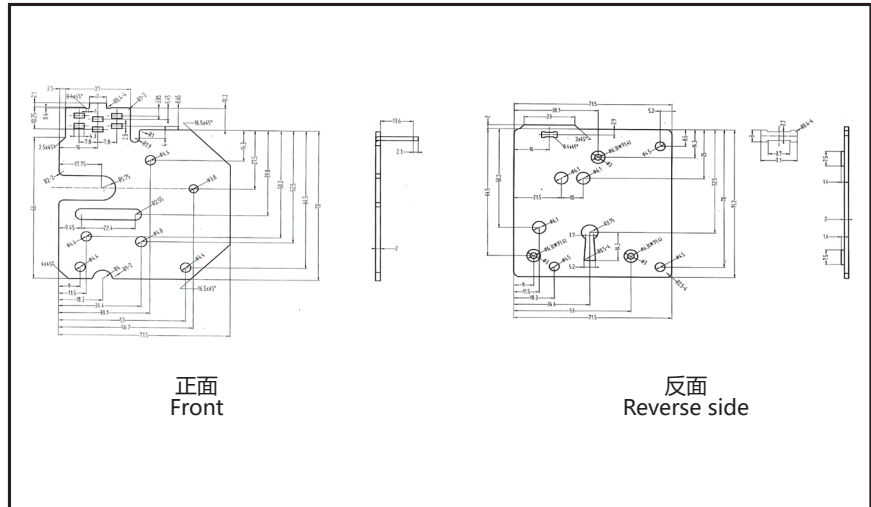
106-FDS-III

黄铜和锌合金阀体，镀铬。带拨号键。
Brass and Zinc Alloy body, chrome plated.
With key for dial



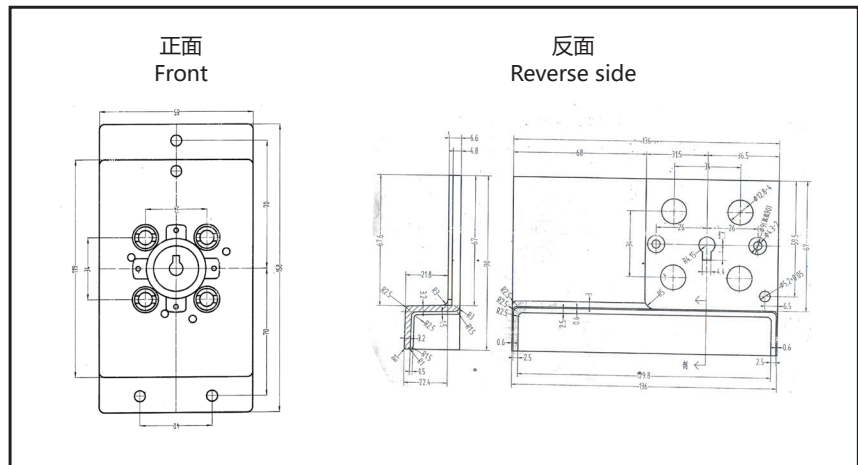
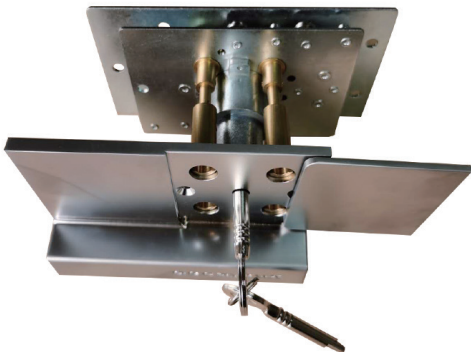
K101

钥匙机械锁
Key lock



K102

钥匙机械锁
Key lock

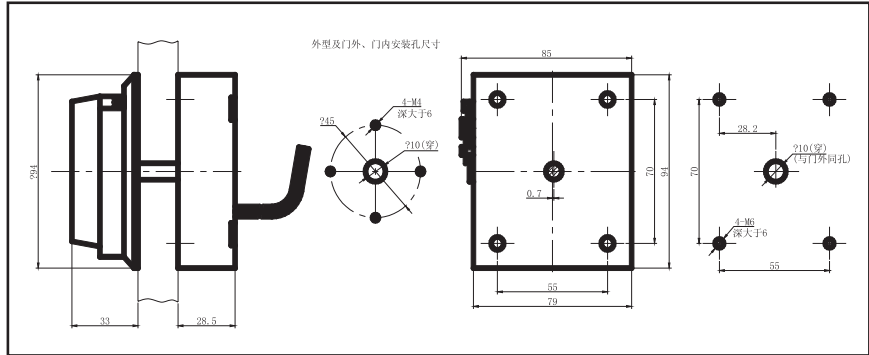


103-FDS-I

防撬密码锁
Pickproof combination lock



镀铬锌合金
Zinc alloy Chrome plated

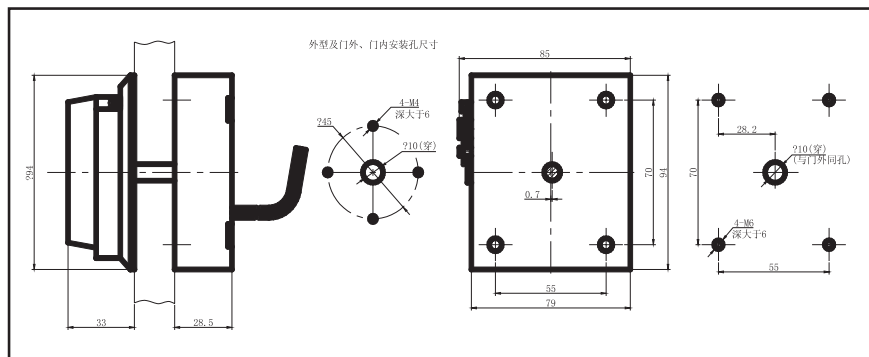


102-FDS-I

防撬密码锁
Pickproof combination lock



锌合金镀钛
Zinc alloy Titanium plated

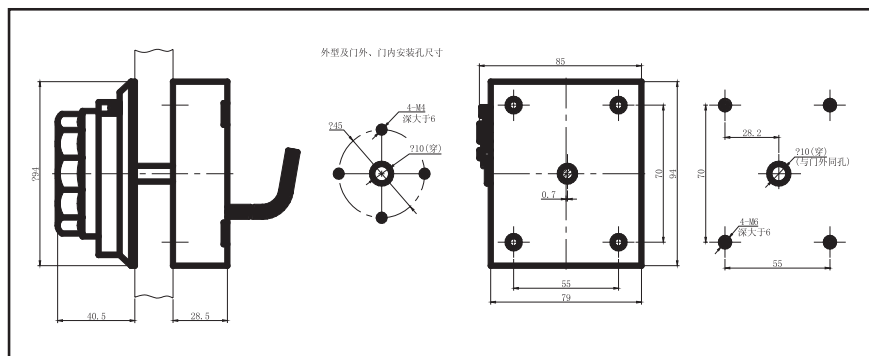


101-FDS-I

防撬密码锁
Pickproof combination lock



锌合金镀铬黑色喷漆
Zinc alloy Chrome Plated Black painting

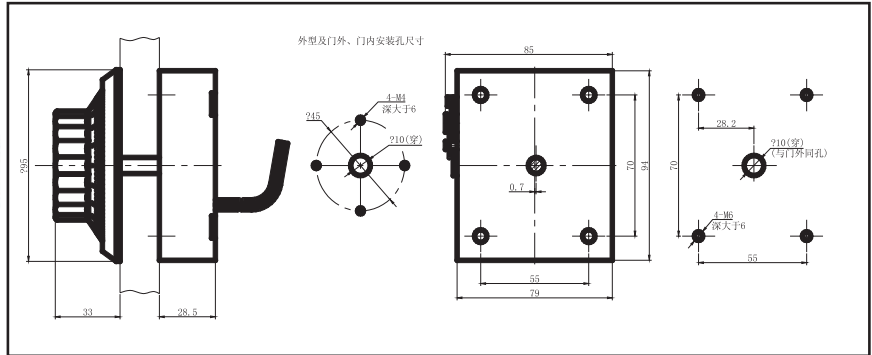


104-FDS-I

防撬密码锁
Pickproof combination lock



锌合金热处理黑色喷涂
Zinc alloy Heat treatment Black painting

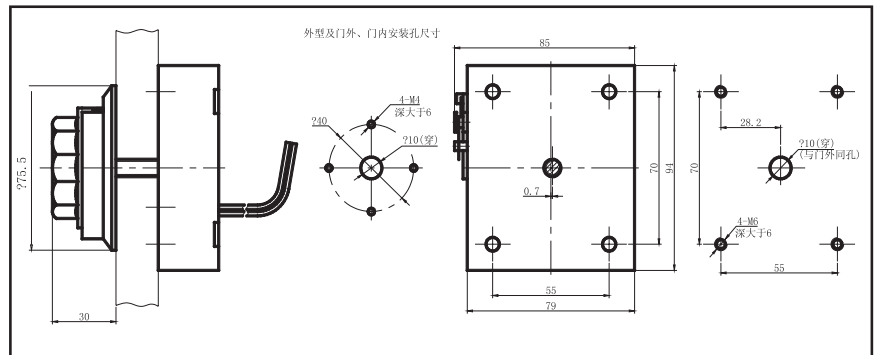


105-FDS-I

防撬密码锁
Pickproof combination lock



镀铬锌合金
Zinc alloy Chrome plated

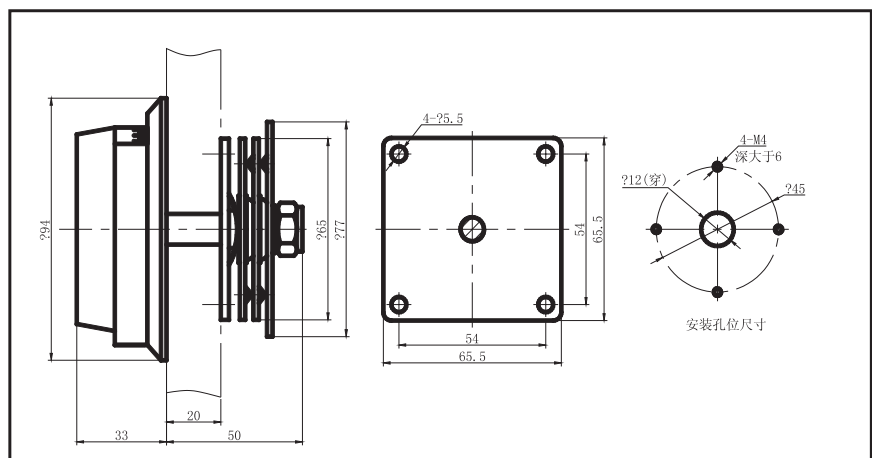


201-CDS

普通密码锁
Common combination lock



锌合金镀钛
Zinc alloy Titanium plated

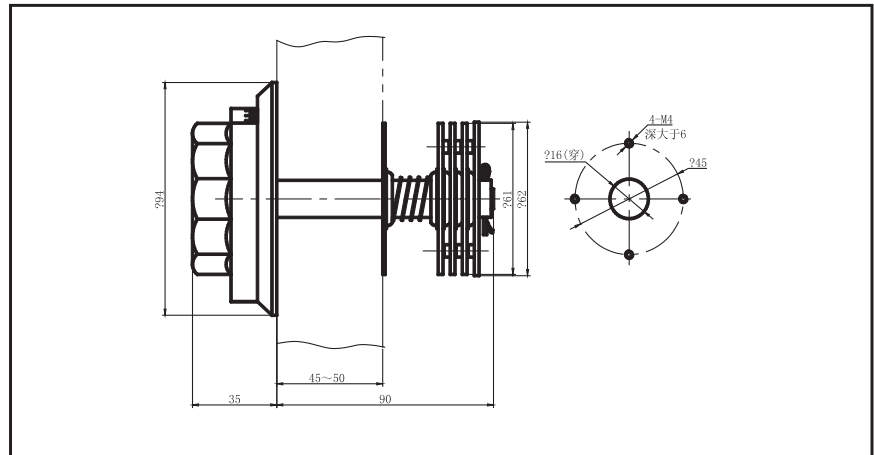


202-CDS

普通密码锁
Common combination lock



镀铬锌合金
Zinc alloy Chrome plated

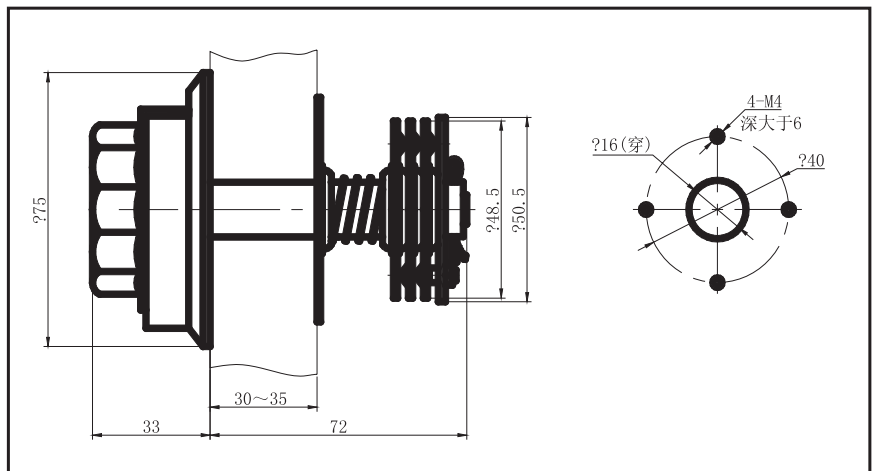


203-CDS

普通密码锁
Common combination lock



镀铬锌合金
Zinc alloy Chrome plated

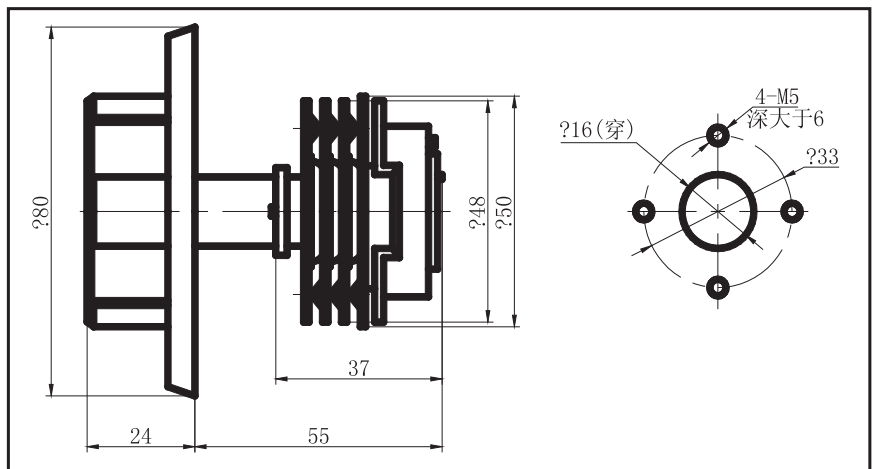


204-CDS

普通密码锁
Common combination lock



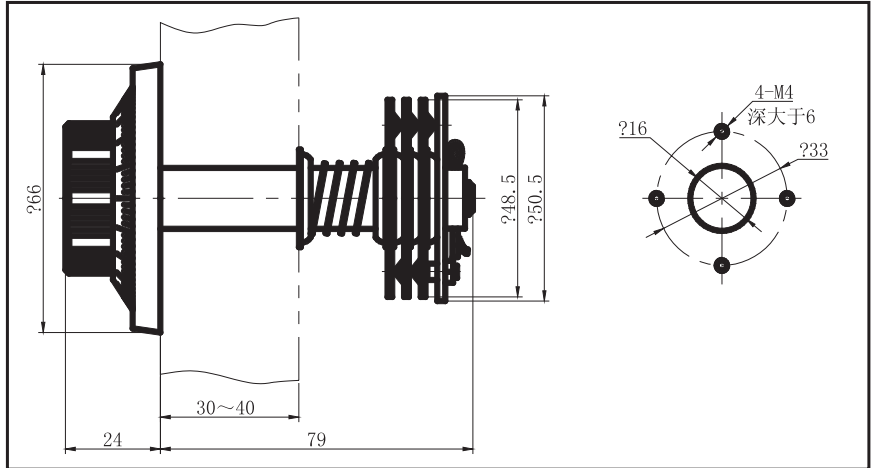
铁塑黑漆
Iron Plastic Black painting



205-CDS

普通密码锁 
Common combination lock

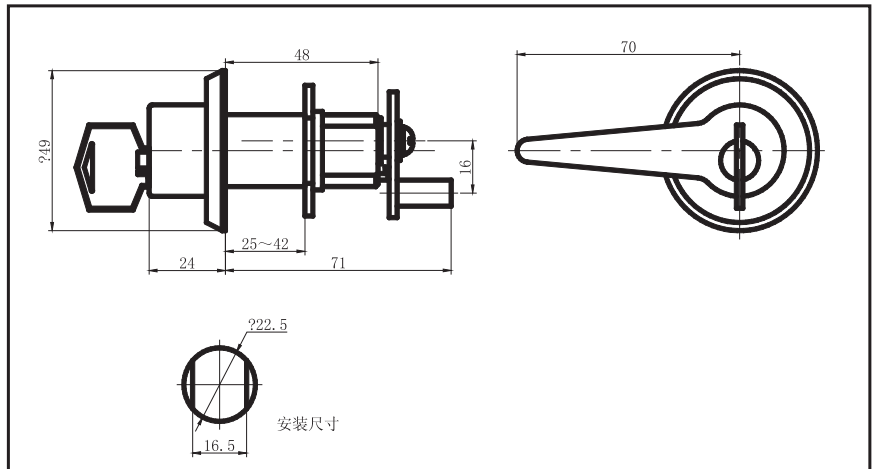
镀铬锌合金
Zinc alloy Chrome plated



301-CS

弹子锁 
Pin tumbler lock

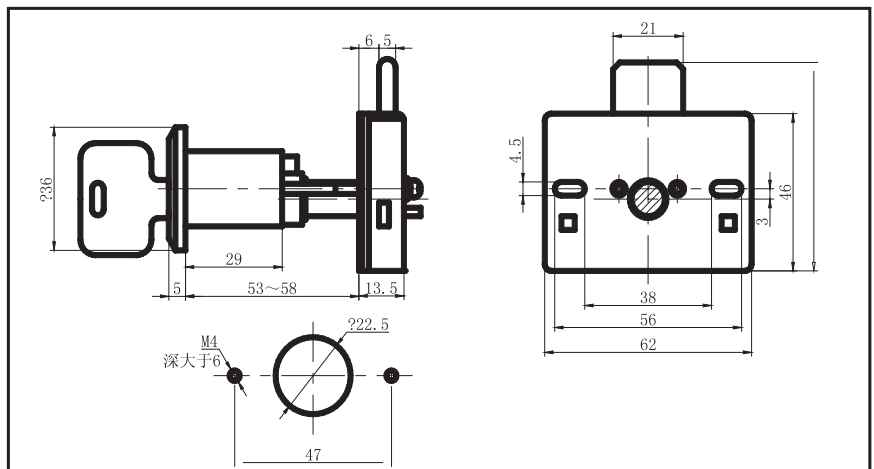
锌合金黄铜钥匙与两个镍钥匙镀
Zinc alloy Brass key with two Nickel keys plated



302-CS

弹子锁 
Pin tumbler lock

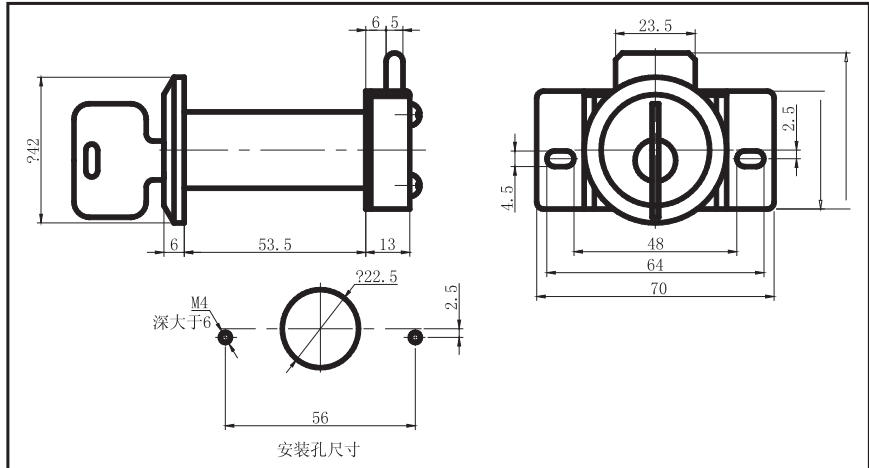
锌合金黄铜钥匙与两个镍钥匙镀
Zinc alloy Brass key With two with Nickel keys plated



303-CS

弹子锁
Pin tumbler lock

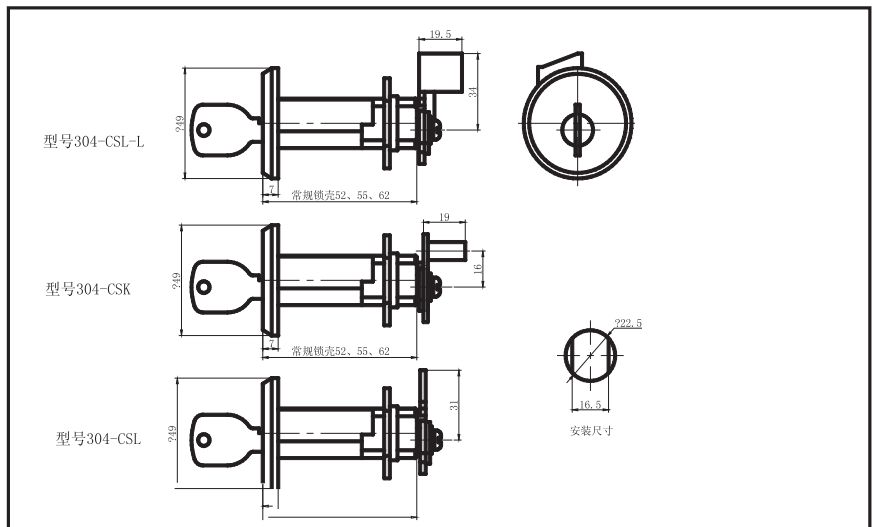
锌合金黄铜钥匙与两个镀镍钥匙
Zinc alloy Brass key With two with Nickel keys plated



304

弹子锁
Pin tumbler lock

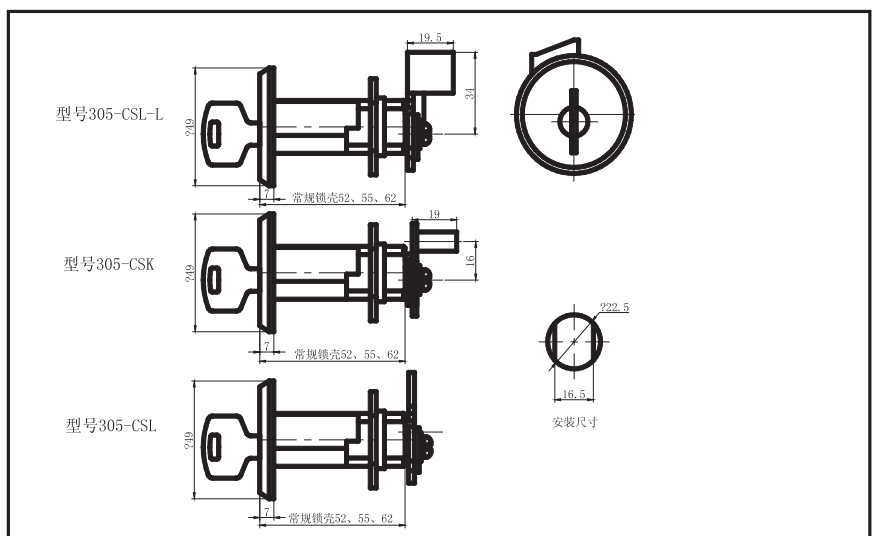
锌合金黄铜钥匙与两个镀镍钥匙
Zinc alloy Brass key with two Nickel keys plated



305

弹子锁
Pin tumbler lock

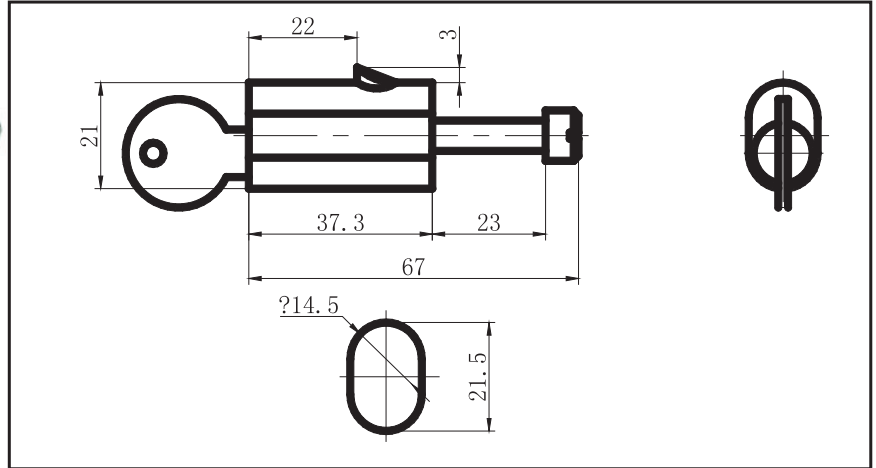
锌合金黄铜钥匙与两个镀镍钥匙
Zinc alloy Brass key With two with Nickel keys plated



306-CS

弹子锁
Pin tumbler lock

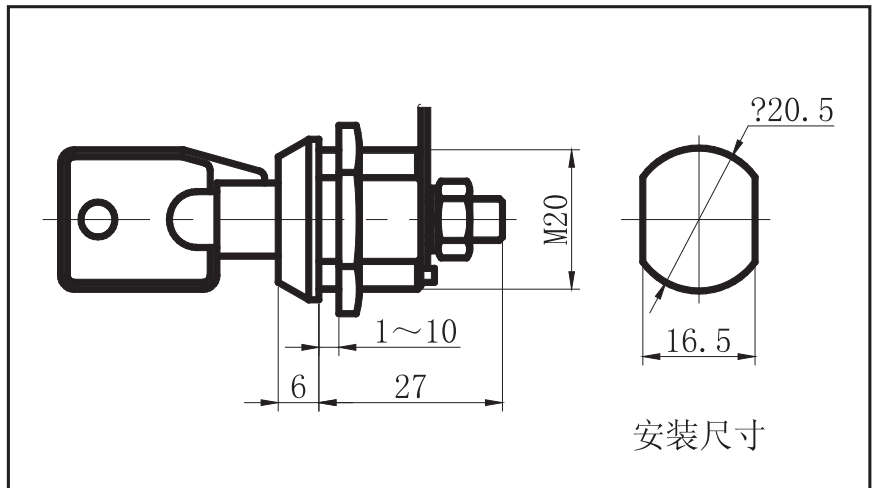
锌合金黄铜钥匙与两个镀镍钥匙
Zinc alloy Brass key With two with Nickel keys plated



307-CS

弹子锁
Pin tumbler lock

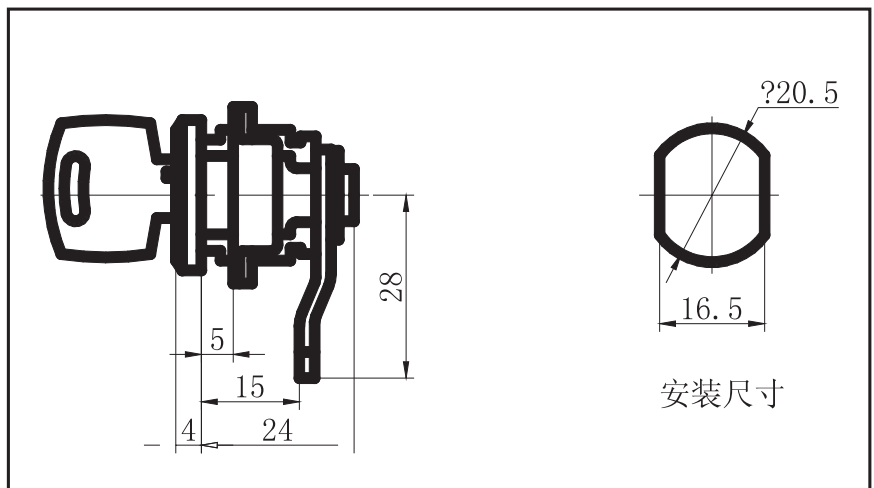
锌合金黄铜钥匙与两个镍钥匙
Zinc alloy Brass key with two Nickel keys plated



308-CS

弹子锁
Pin tumbler lock

锌合金黄铜钥匙与两个镀镍钥匙
Zinc alloy Brass key With two with Nickel keys

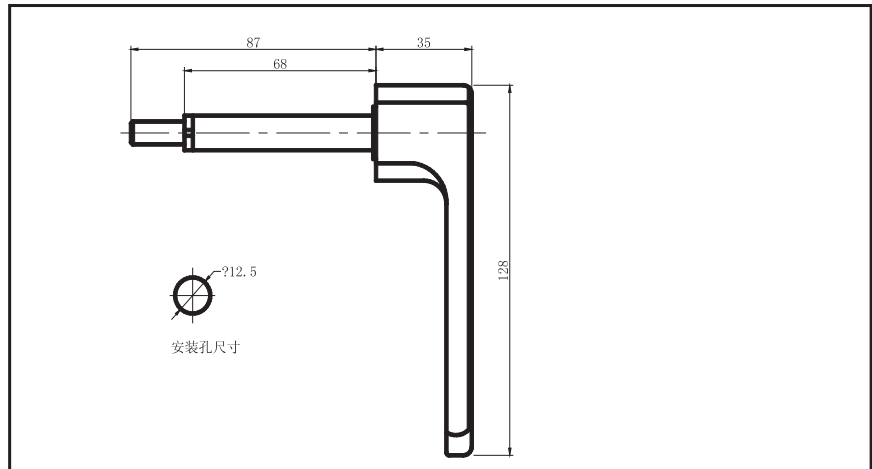


401-CB

手把
Handle bar



镀铬锌合金
Zinc alloy Chrome plated

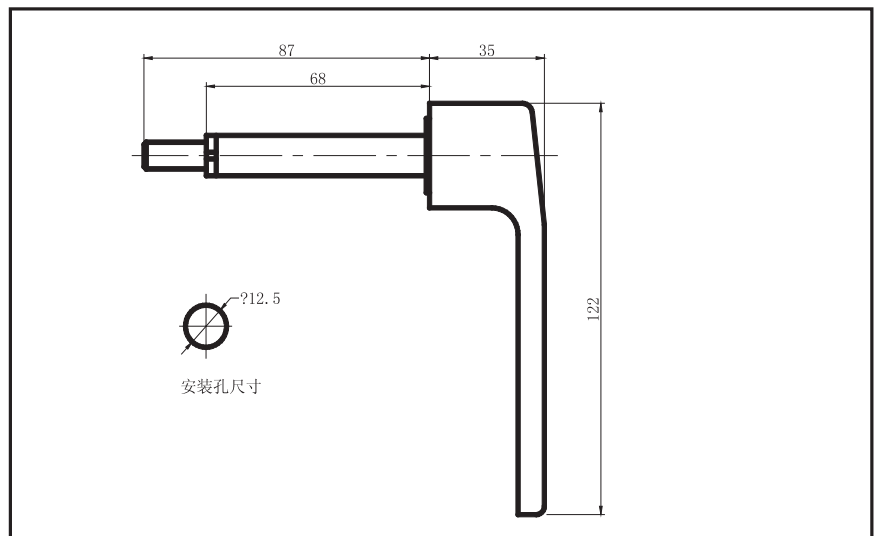


402-CB

手把
Handle bar



镀铬锌合金
Zinc alloy Chrome plated

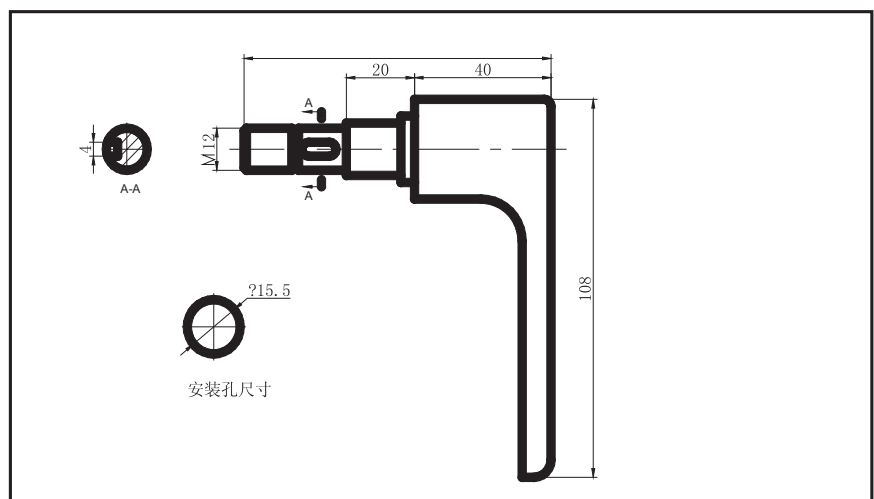


403-CB

手把
Handle bar



镀铬锌合金
Zinc alloy Chrome plated



宁波方铭科技有限公司

NINGBO FANGMING TECHNOLOGY CO.,LTD

网址/Website: <https://nbfangming.1688.com/>

电话/Tel: 0574-28806298

地址/Add: 浙江海曙区高桥镇徐家漕路587弄10号