
PLASTIC POSITION MARKER OF THIRD CALIBER PM-3-P

General view of the marker

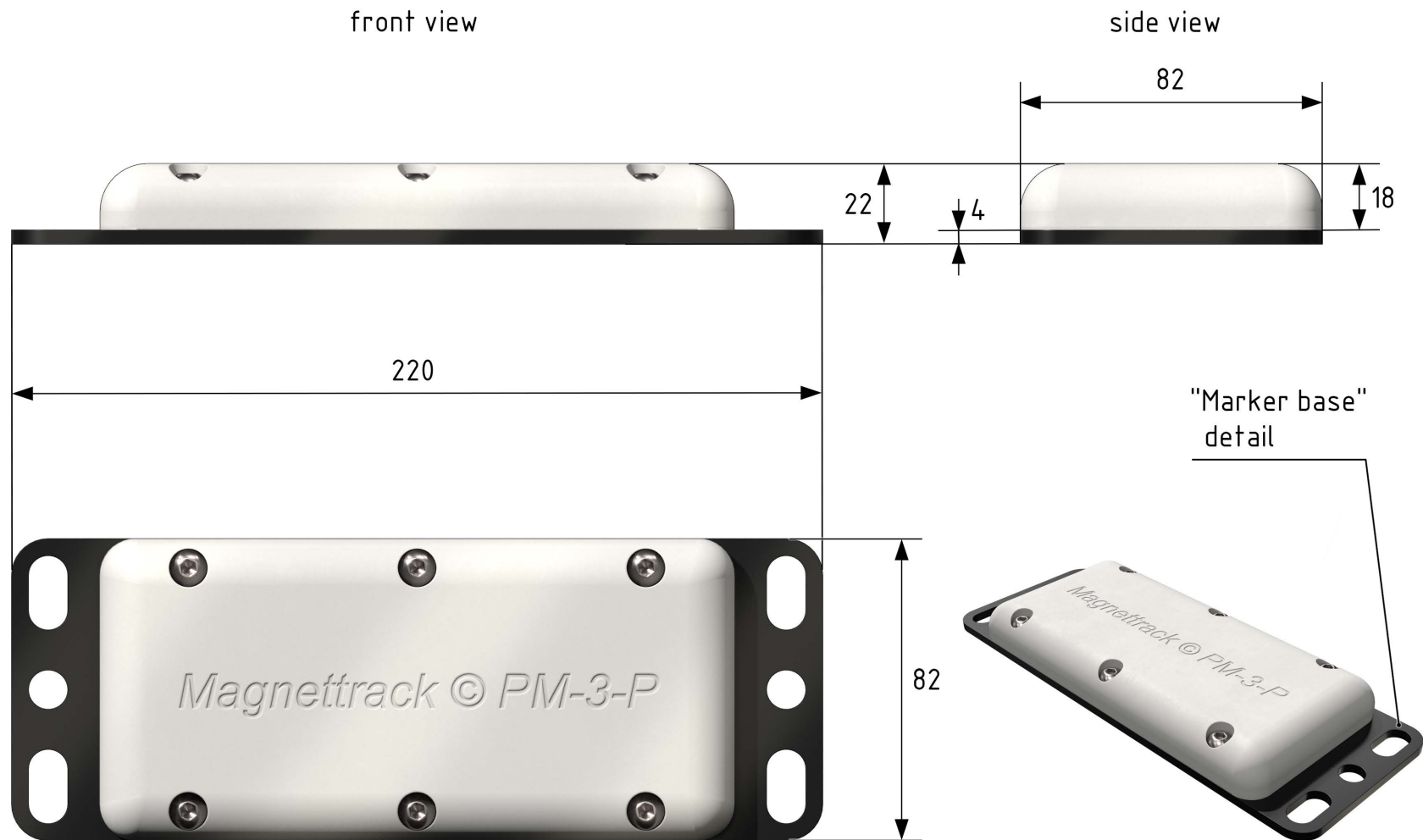


Order code

PM-3-P

- Protection degree **IP6X**
- Mounting on any type of surface
- Working temperature
from **-40 to +85°C**
- Lifetime is **at least 15 years**

Dimensions



view from above

Note:
The base of the marker can be made according to the individual drawings of the customer

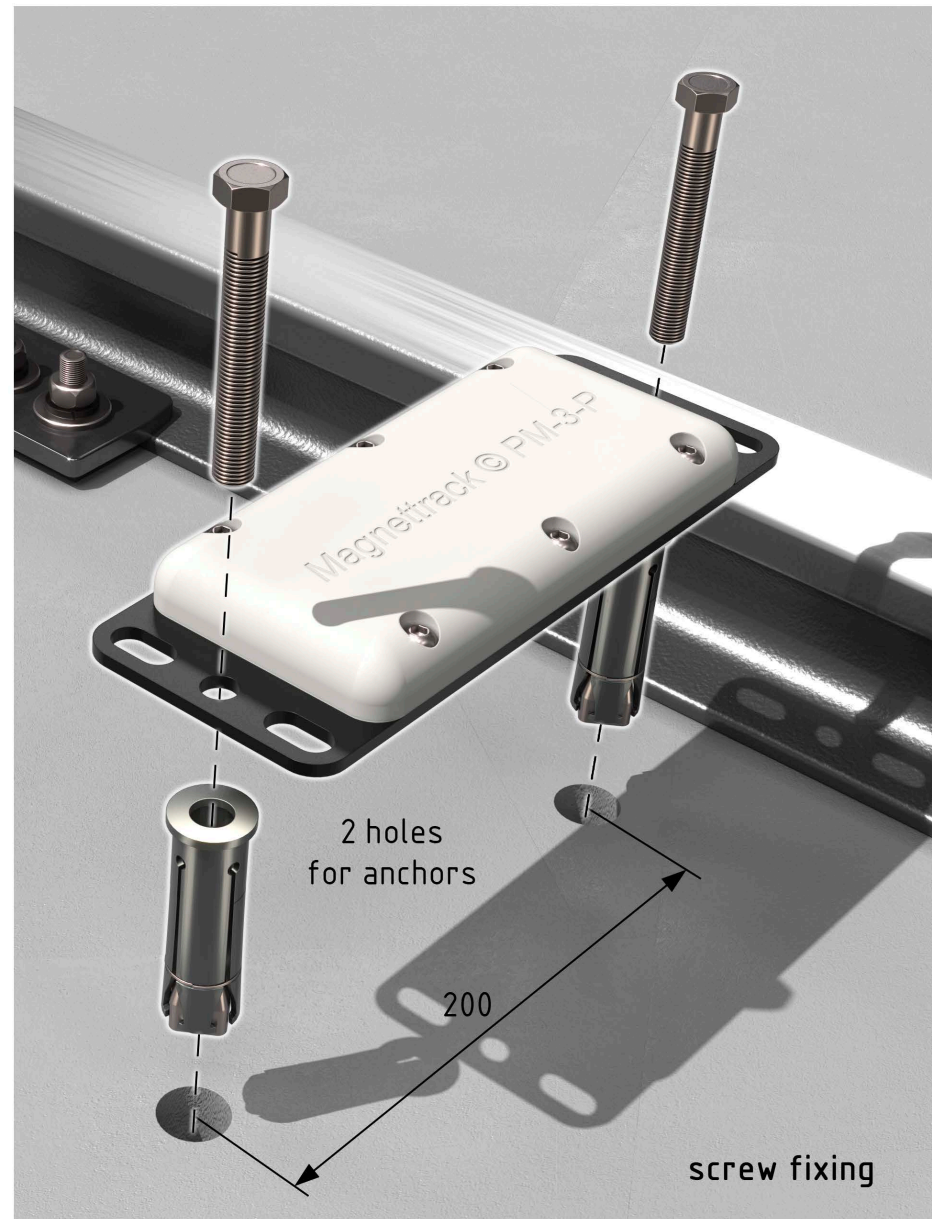
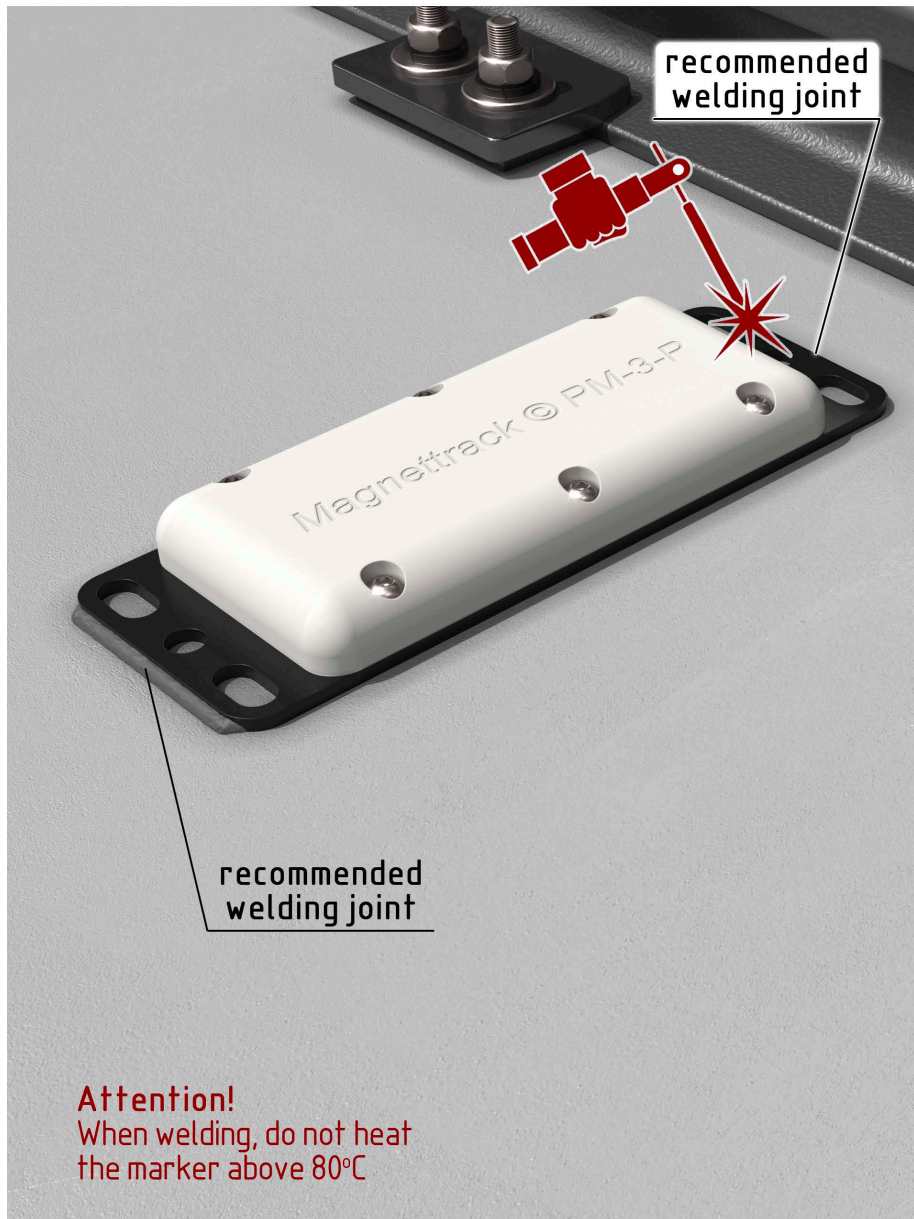
Installation dimensions

view from above

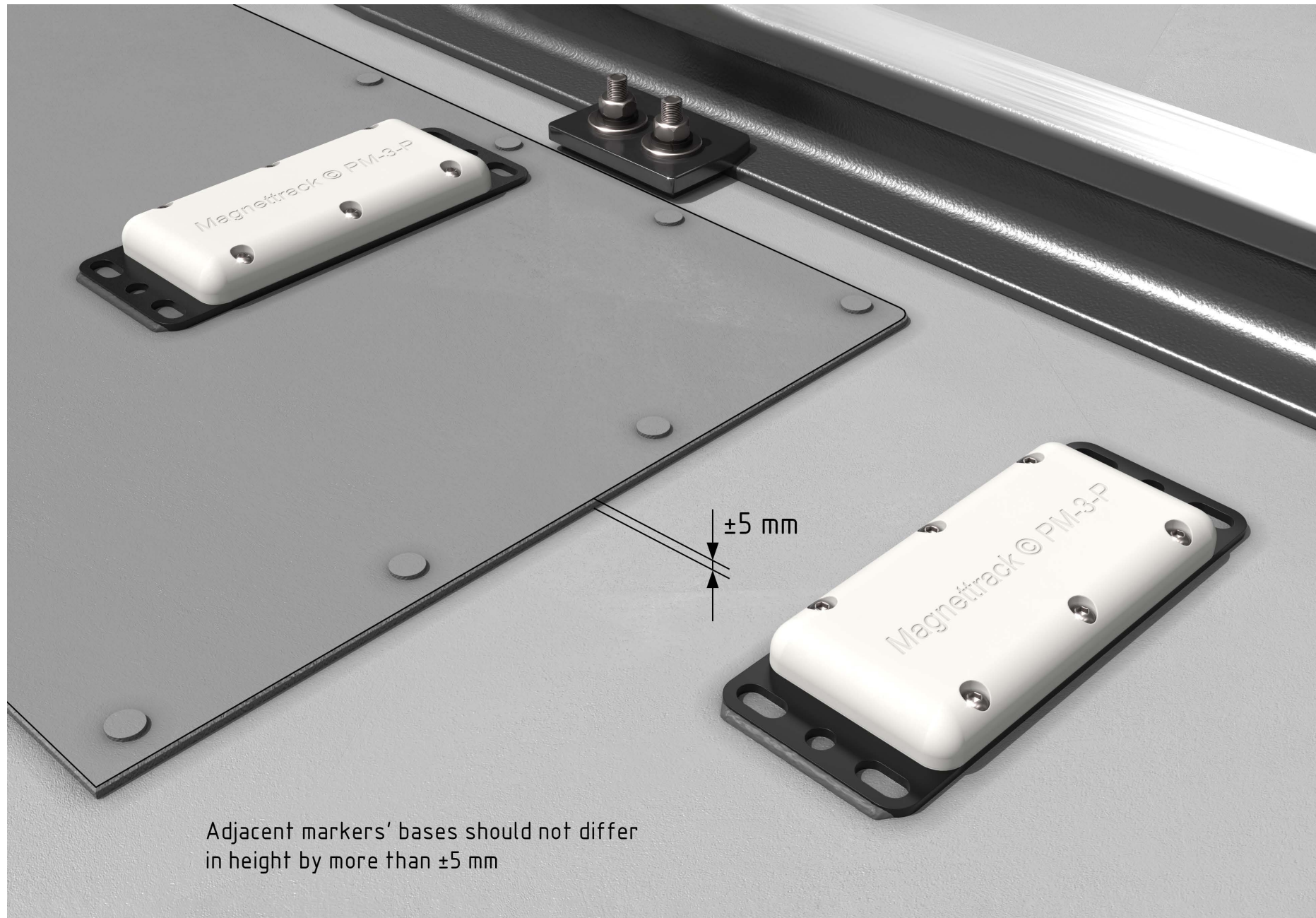


Mounting options

The marker can be installed on a metal or non-metal base



Mounting tolerances



Sensitive area

