

---

# **PLASTIC POSITION MARKER OF FIRST CALIBER**

## **PM-1-P**

---

## General view of the marker

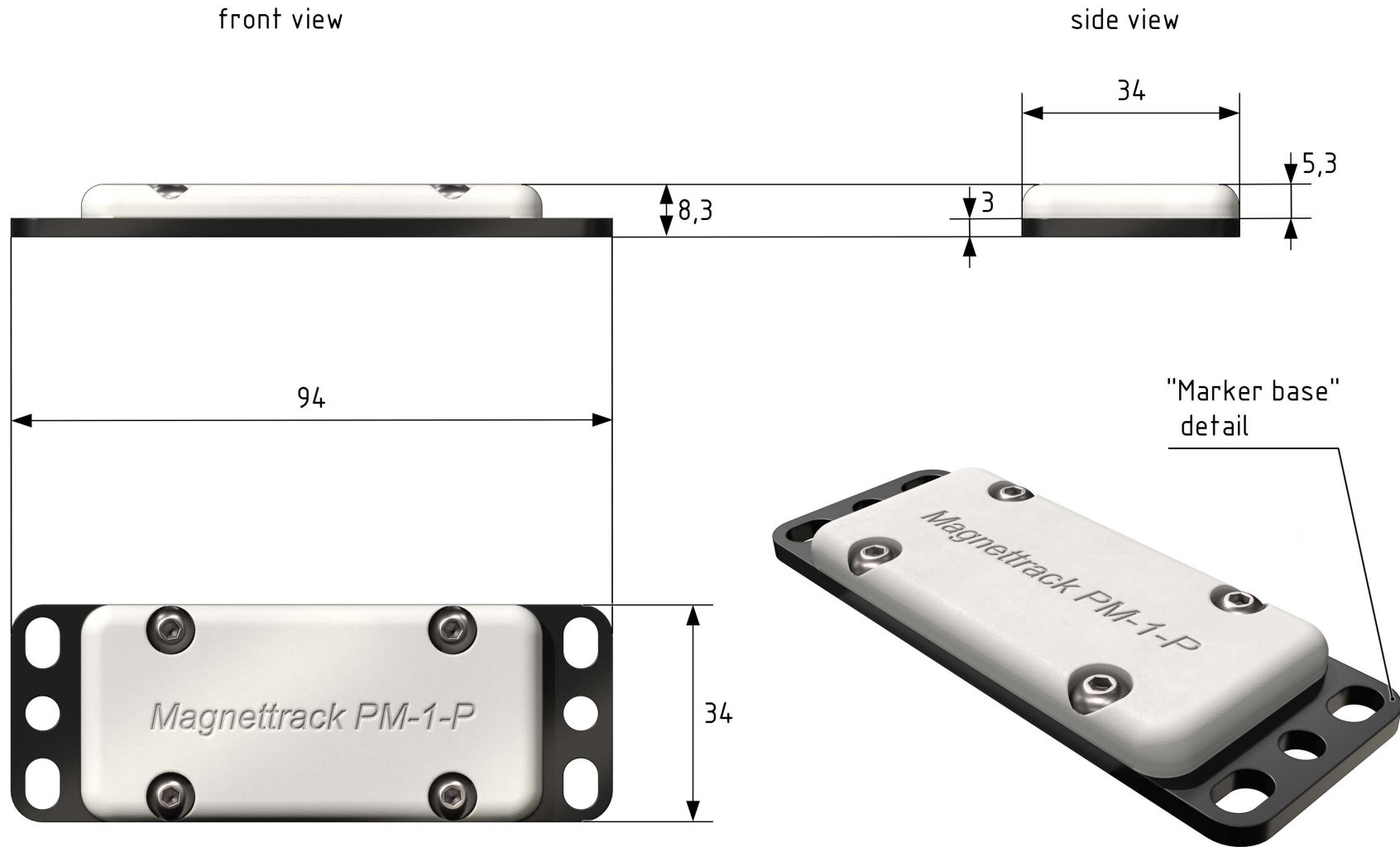


Order code

**PM-1-P**

- Thickness **8.3 mm**
- Protection degree **IP6X**
- Mounting on any type of surface
- Working temperature **from -60 to 80°C**
- Lifetime is not limited

# Dimensions



view from above

"Marker base"  
detail

Note:  
The base of the marker can be made according  
to the individual drawings of the customer

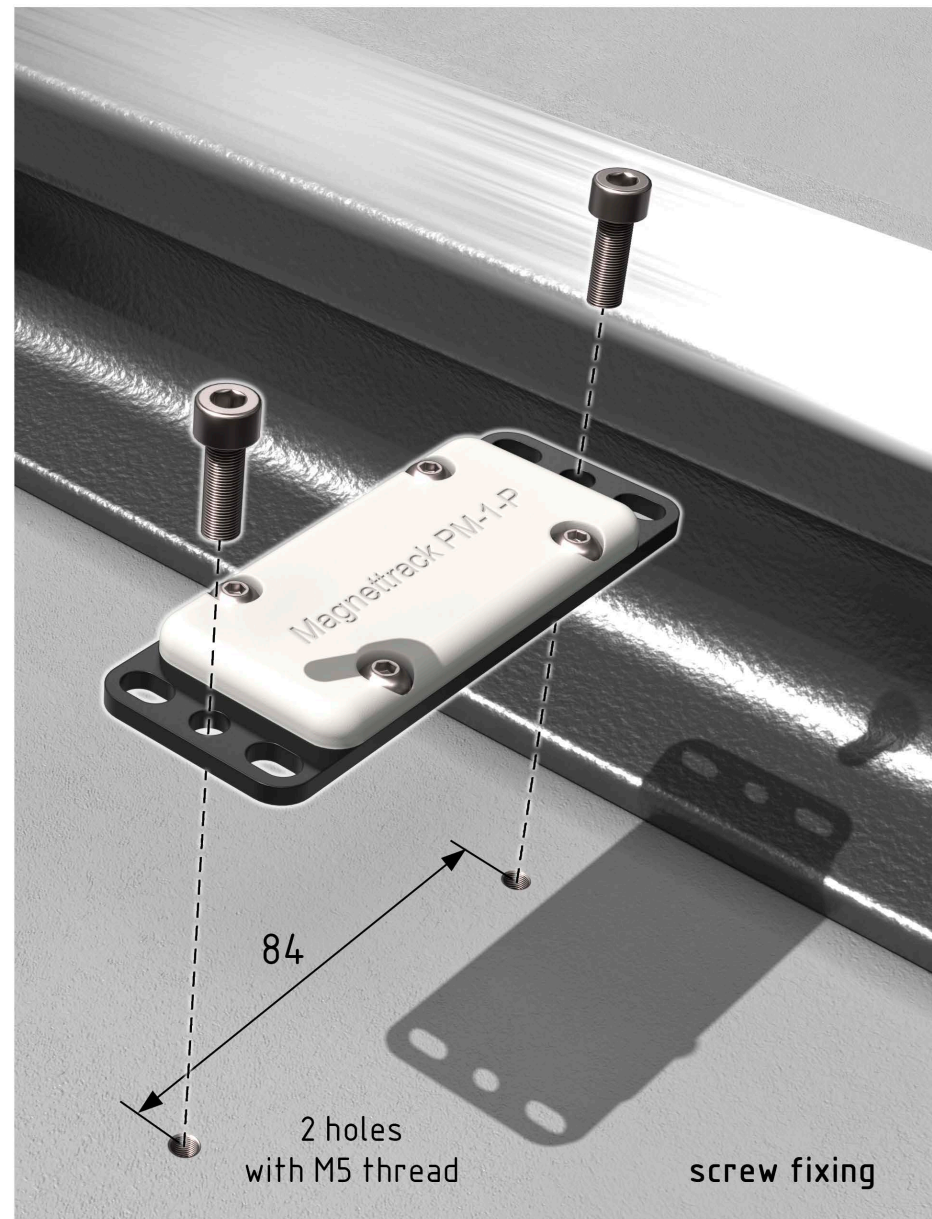
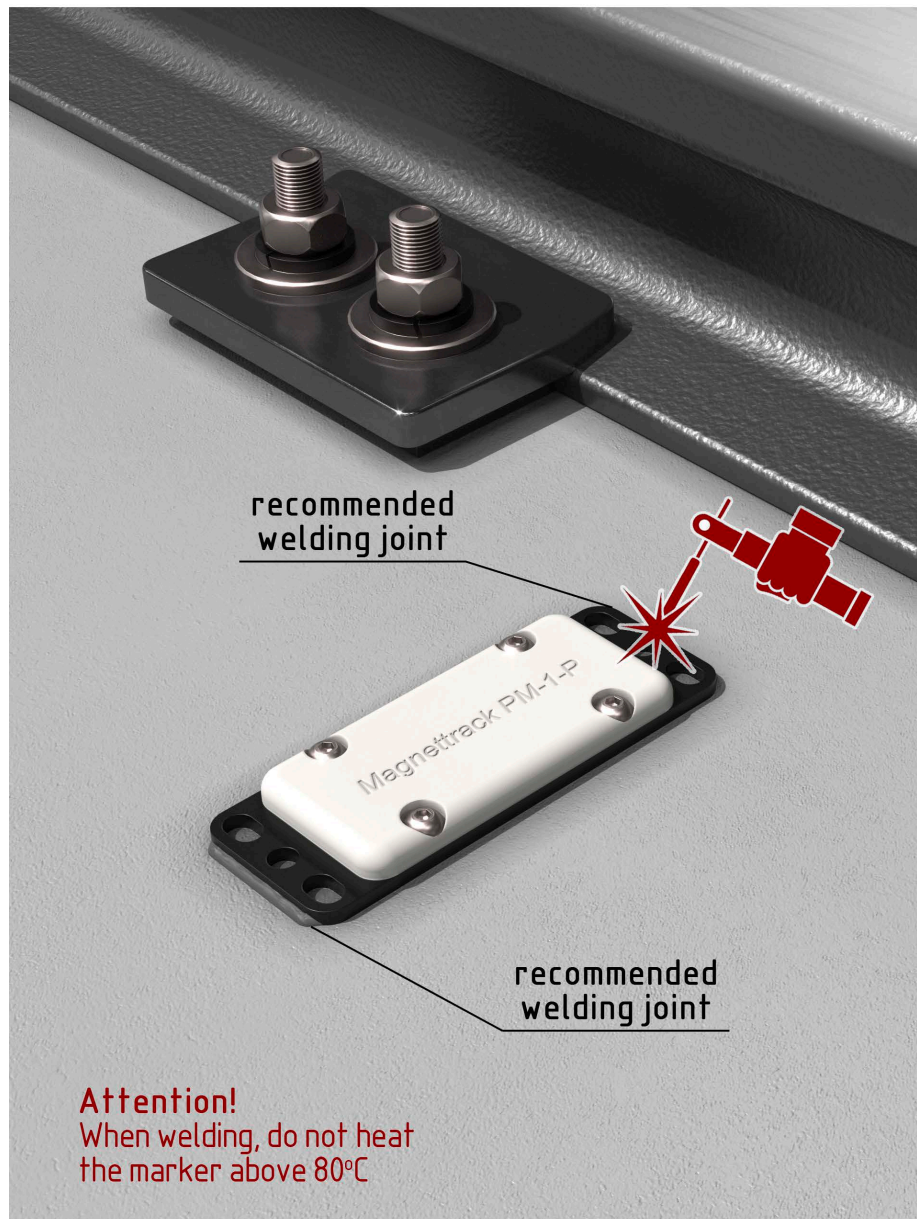
## Installation dimensions

view from above

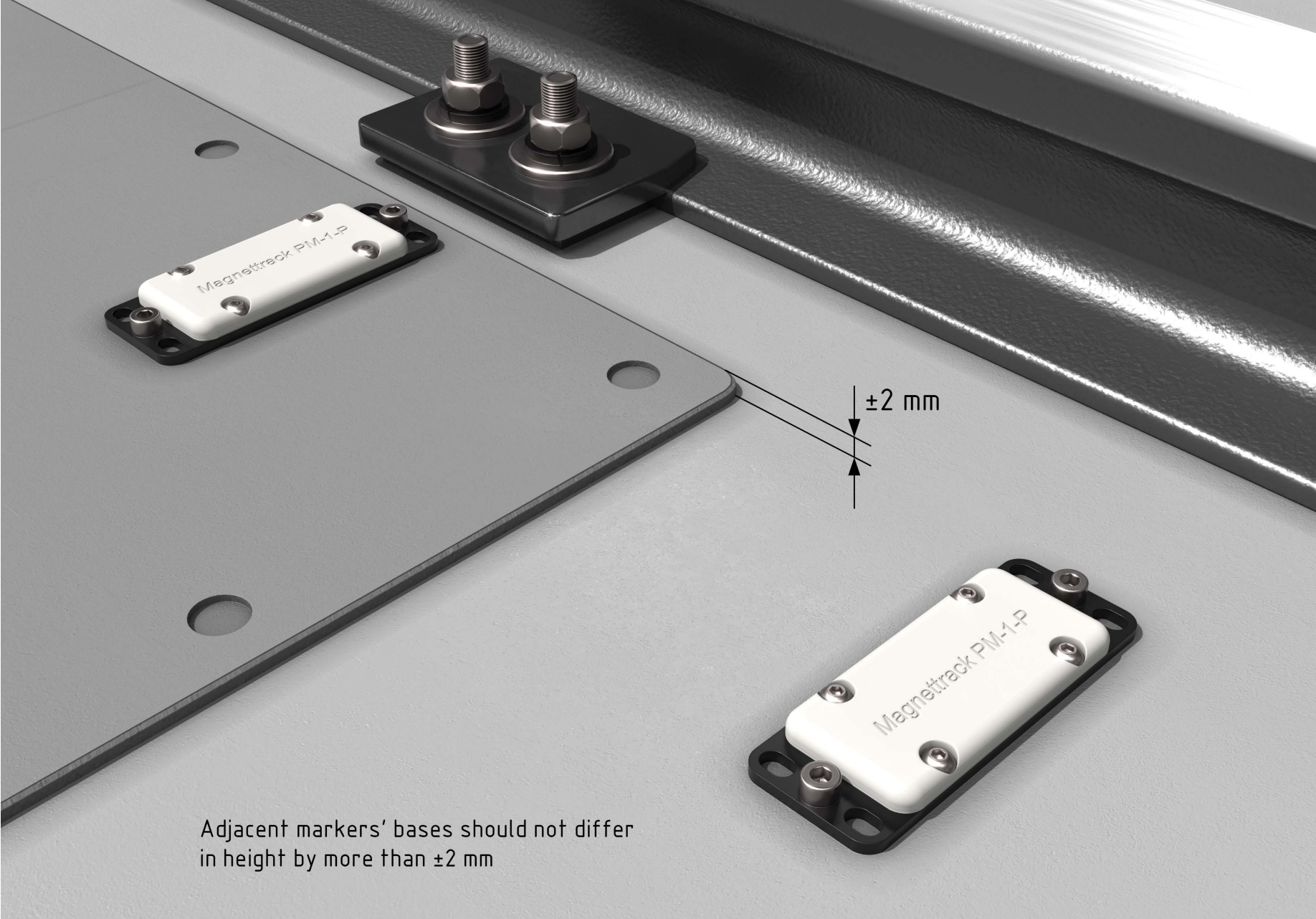


## Mounting options

The marker can be installed on a metal or non-metal base



# Mounting tolerances



Adjacent markers' bases should not differ in height by more than  $\pm 2$  mm

## Sensitive area

\*Recommended distance  
between marker and sensor  
20 mm

