



# INTERNATIONAL CATALOGUE



**4X4 SOLUTIONS**

[WWW.TOUGHGEARTRADING.COM](http://WWW.TOUGHGEARTRADING.COM)

# WELCOME

Thank you for the opportunity to showcase to you some of our Tough Gear products. Here at TGT we are pleased to offer a complete package solution to suit the needs of your business. We aim to make your ordering process as smooth as possible wherein we arrange the freight and documents for you.

The solution we provide to the needs of our clients is achieved by our flexibility and ability to “TAILOR MAKE” Project Solutions. We consist of a global network of teams that possess extensive experience in the Military and automotive 4x4 Industry and who provide support infrastructure.



We aim to provide global brands to our customers that are known for quality and innovation. I invite you to take a look at our website where you would find links to our Facebook page, and Instagram Page.

Kind Regards  
**GARY TURNER**  
Founder and Director

www.toughgeartrading.com  
P: +61 410 001 250  
E: gary@toughgeartrading.com

# ABOUT US

Tough Gear Trading Pty Ltd (TGT) is an Australian, Brisbane based 4x4 and military accessories, family run business.

With over 26 years experience in the industry, our founder, Gary Turner, has partnered with top-tier suppliers globally who bring quality products to our international as well as local customer base.

Furthermore, having been endorsed by the Australian defence force, gives us scope to further implement and showcase our brand with vigour.

With over two decades of business experience in the auto parts sector, we provide quality 4x4 and accessory products including, but not limited to, recovery gear, suspension, camping gear, leisure products, security auto applications to mining, fleet and retail markets.

Our passion in this industry allows for focus on our brand and customer’s needs.

TGT has representation in numerous countries where we are intensely highlighting our global expansion.

After many years of international trade, we have seen local business take off tremendously whilst realizing the need for quality service and top-notch products in the local market.

The company is steered by a team of vibrant individuals, whose efforts clearly display the natural synergy and team spirit in the day-to-day operation of business under the leadership of the Turner family

# CONTENTS

<b>PROTECTION</b>	<b>4</b>
Bullbars Outback Accessories	
<b>RECOVERY &amp; ACCESSORIES</b>	<b>10</b>
TGT Winches Recovery Gear	
<b>SUSPENSION</b>	<b>14</b>
Tough Dog Airbag Man	
<b>PERFORMANCE</b>	<b>28</b>
Clutches Heavy Duty Brake Systems	
<b>LIGHTING &amp; ELECTRICAL</b>	<b>34</b>
Hardkorr	
<b>TOURING</b>	<b>40</b>
Rooftop Tent Annex Rola Roof Racks Storage Solutions & Draw Systems	





# WHAT TGT OFFER

## DECADES OF EXPERIENCE

TGT has been a trusted name in the auto parts industry for nearly three decades. With a proven track record of delivering high-quality solutions, we've established ourselves as a leading provider of 4x4 accessories, security systems, and specialized components for the military, mining, and fleet sectors. Our extensive experience allows us to anticipate industry trends, adapt to evolving needs, and consistently exceed expectations.

## PACKAGED SOLUTIONS

No matter the scale of your project, TGT is committed to providing comprehensive, tailored solutions. Our expert team takes a consultative approach, working closely with you to understand your specific requirements. From initial product selection to seamless delivery, we handle every aspect of the process, ensuring a smooth and efficient experience. Whether you need a single component or a complete system overhaul, we have the expertise and resources to deliver.

## QUALITY PRODUCTS

TGT's unwavering commitment to quality is reflected in our partnerships with world-class suppliers. We source only the finest products from renowned brands, ensuring that you receive components that meet the highest industry standards. Our extensive global network allows us to access a diverse range of options, empowering you to choose the perfect solution for your needs.

## ROUND THE CLOCK SUPPORT

Your success is our priority. That's why we offer round-the-clock support to assist you whenever you need it. Our dedicated team is available seven days a week to provide prompt assistance, expert advice, and timely solutions. Whether you have a technical query, require troubleshooting guidance, or need to place an urgent order, we're here to help.



# COMPANY CREDIBILITY

## BUILDING TRUST AND EXPANDING REACH

We are proud of our ongoing partnerships with leading Australian organizations such as AUSTRADE, TIQ, and the ADF. Their endorsement is not just a badge of honor; it's a testament to the quality and reliability of our products and service.

We are also thrilled to announce that we've been officially approved by SAMI. This prestigious designation allows us to supply our products directly to the Saudi Arabian Military.

### Benefits of Collaboration

**Streamlined Processes:** Their expertise helps us navigate complex processes and regulations, often shortening the time it takes to secure contracts. This allows us to focus on what we do best – providing top-tier equipment and exceptional service.

**Informed Decisions:** Their insights and feedback help potential clients make informed decisions with greater confidence. By working directly with a trusted source like AUSTRADE or TIQ, clients can be assured of our capabilities and commitment to quality.

**Building Trust:** Their endorsement strengthens our credibility in the eyes of both domestic and international customers. This allows us to build stronger relationships and secure valuable partnerships with dealers worldwide.



Our Ref: QOD24-064

11 April 2024

To Whom it may Concern

As the Queensland Government's global business agency, Trade and Investment Queensland (TIQ) has a twofold charter to support Queensland businesses develop and expand export opportunities and to attract international companies to invest, locate and partner in Queensland.

Tough Gear Trading is a key client of TIQ, and we have been working with the company for several years to support its growth in international markets.

Developing international partnerships and collaborations is a priority for Tough Gear Trading, and with TIQ's assistance has achieved success in several countries in the Pacific Islands.

Tough Gear Trading contributes significantly to Queensland's manufacturing ecosystem and its 4x4 accessory applications are used in a wide range of industries. TIQ will continue to work with Tough Gear Trading to support the growth of its export footprint and its international reputation.

Please direct any further enquiries to Mr Jason Lowther, Manager, Manufacturing, Consumer and Services by telephone +61 439 761 382 or email: Jason.Lowther@tiq.qld.gov.au.

Yours sincerely

Denise Kreymborg  
General Manager, Queensland Operations  
Trade and Investment Queensland

# BULLBARS

## TGT Bull Bars: Enhance Your Vehicle's Protection and Style

TGT offers a comprehensive selection of bull bars to safeguard and enhance your vehicle. Each bull bar boasts unique advantages, and TGT's expert team is committed to guiding you towards the ideal choice for your specific needs.

### Seamless Integration and Enhanced Illumination

Every TGT bull bar comes with a complete set of components, ensuring a perfect fit between the bull bar and your vehicle's body. Additionally, all bull bars incorporate a mounting bracket for spotlights, allowing you to effortlessly elevate your vehicle's illumination capabilities.

### Empower Your Vehicle with TGT's Bull Bars

Whether you're traversing rugged terrains or navigating urban landscapes, TGT's bull bars empower your vehicle to conquer any challenge with confidence and style. Contact TGT's knowledgeable team today to discover the perfect bull bar for your vehicle.



# RANGE

## ERGONOMIC BUMPER

Follows the natural lines of the vehicle

## REINFORCED LOOP

The Bull Bar has a 50/60 mm (diameter) loop.

## TRIPLE LOOP

Modern design with 3 useful quick release aerial tabs and optional spot light mounting ability built into the bar

## SINGLE LOOP

Functional and stylish with a 3-inch centre loop

# FLEET

The Fleet Bullbar Range is the perfect combination of protection and performance at a value - added price point.

## ALL FLEET BULLBARS FEATURE:

- Low mount winch provision - allowing for inclusion of a recovery winch
- Three CB aerial mounts with quick-fit cut outs - allowing you further personalise your vehicle
- Recessed LED indicator lenses - to reduce the risk of indicator damage
- Phosphate cleaned and matte black powder coating - for easy to care for durable finish or to allow for colour coding



POST TYPE



SINGLE LOOP



TRIPLE LOOP



FLEET



NO LOOP



# BULLBARS

We understand and how confusing it can be selecting the right bullbar to suit your vehicle and your needs.

If you contact the team at TGT we will address any concerns you have and make the right recommendations for the make and model of your vehicle whilst considering the features required.

## SOME QUESTIONS TO CONSIDER WHEN PURCHASING A BULLBAR INCLUDE:

- Is the bullbar airbag compliant?
- How heavy is the bullbar and how will it affect your suspension?
- What is the vehicles GVM, if a bullbar is added when it is fully loaded will it exceed its GVM?
- What other accessories will be added to the vehicle now or in the future? Does the bullbar have mounting points for a winch, lights, antennas, flags etc.?
- Will the position of the bullbar on the vehicle affect things like approach angles or air intake?



# REAR STEP WITH TOWBAR

The Rear Step and Towbar Range is the perfect combination of protection and convenience for your vehicle.

The wide tube loop design can help eliminate rear damage, off-road or in the local carpark.

The step is strong enough to hold your weight to reach the roof or into the tub, without impeding rear approach angles.

# REAR CARRIERS

The Rear Step is one of the most flexible and adaptable rear protection options on the Australian market.

Developed and manufactured in Australia for serious off-roaders, the range is designed to improve clearance and departure angles and make recovery simpler.

When paired with optional caddy arms the rear bars can be personalised to carry a range of additional accessories.

## OPTIONAL ACCESSORIES AVAILABLE:

- Hi Lift Jack Holder
- Aerial and LED light mounts
- Remote winch cradle
- Twin Rear Wheel carrier
- Single Rear Wheel carrier



## ALL REAR STEP AND TOWBARS FEATURE:

- Heavy-duty tow hitch rated to vehicles towing capacity - for ultimate towing functionality
- Aluminium checker plate and matte black powder coated step that won't harbor dirt, grit or mud - for ease of care and durable finish
- 63mm steel tube and steel plate guard with high lift jacking points - protects your vehicles vulnerable panels and aids in recovery.





# OUTBACK ACCESSORIES

## MILITARY-GRADE 4X4 GEAR

Outback Accessories is one of Australia's leading manufacturers and designers of 4x4 equipment. Specialising in steel products, Outback was established more than two decades ago and quickly earned a reputation for rugged, reliable gear that was more than a match for the rigours of outback travel.

Operating from a dedicated Australian manufacturing facility with a highly-skilled workforce, Outback Accessories utilises the latest production techniques and precision CAD/CAM equipment to deliver innovative, quality products that perform in the harshest environment.



# OUTBACK ACCESSORIES

## FUEL TANKS

Increase vehicle range with a precision-engineered Outback high-capacity underbody fuel tank

## BATTERY TRAYS

Mount an auxiliary battery securely with an Outback battery tray

## PROTECTION PLATES

Minimise the risk of damage to the sump or transmission with Outback Bash Plates

## WHEEL CARRIERS

Easy access to spare wheels, improved off-road capability, superior strength and durability, plus practical accessory options

## SINGLE

- Retains existing bumper
- Easy-action gas strut – opens and locks securely without pins
- Heavy-duty pivots + sealed bearings
- Waterproof LED lights
- Rattle-free, fully adjustable over-centre latch mechanism

## TWIN

- Replaces standard bumper, improves clearance and departure angles
- Built-in high-lift jacking points
- Easy-action gas strut – opens and locks securely without pins
- Heavy-duty pivots + sealed bearings
- Recessed waterproof LED lights
- Rattle-free, fully adjustable over-centre latch mechanism
- Non-slip aluminium step plate
- Works with oem and most quality aftermarket tow bars
- Bead blasted, zinc coated and heavy-duty powder-coated to colour requirements
- Jack, jerry can, light and aerial mounts available



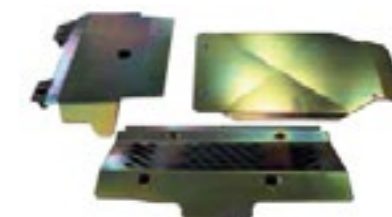
FUEL TANKS



FUEL TANKS



BATTERY TRAYS



PROTECTION PLATES



# WINCHES

Since our establishment in 2015, TGT have been engaged in manufacturing and exporting various winches and 4x4 off-road accessories.

Our TGT winches have gained a strong reputation as superior world-class products. Accordingly, our winches have been used for a variety of purposes - including incline load pulling, vehicle recovery recreation, commercial and military applications.

TGT has a variety of winches available ready to accommodate your specific needs. Our range of winches start at 8000lbs and go up to 20,000lbs. Our current main products includes; armoured vehicle winches, electric winches, modification parts for off -road vehicles and many other outdoor accessories.



## FEATURES

### Some features of our winches includes:

- Waterproof IP68 Rating
- Series Wound DC Motor
- UV Resistant Matt Black Coating
- Multiple Solenoid Mounting Points
- 3 Stage Planetary Gearset
- Remote Control
- Synthetic Rope or Steel Cable
- Larger Clutch Level
- Aluminium Fair Lead
- Sliding Ring Gear Clutch

### Pull Strength Options:

- 8,000lbs
- 9,500lbs
- 10,000lbs
- 12,000lbs
- 15,500lbs
- 17,000lbs
- 20,000lbs





## EWS12000 Synthetic Rope Winch

Performance	3.2VDC
Single line rated pull	12000lb(5443kg)
Motor	5.8hp/4.2kw, Series Wound
Control	Remote switch, 12ft(3.7m) cable
Gear train	3 Stage Planetary
Gear reduction ratio	265:1
Clutch	Sliding Ring Gear
Braking Action	Automatic In-Drum
Drum size	Diameter 2.52" x(64mm) Length 6.82" x(173mm)
Cable	80% of 3/8" diameter (27% of 5.3mm diameter)
Fairlead	4-Way Roller Fairlead
Remote Control	Included
Battery	Recommended: 650CCA minimum for winching
Battery Leads	2 gauge, 72" (1.83m)
Wt./Cw	42kg/93kg
Overall dimensions	Length: 21.3" x 6.3" x 9.76" (540mm x 160mm x 248mm)
Mounting Bolt Pattern	3.5" Dia x 0.815" x 4 x 58 x 0.513" x (254 x 114.3mm)
REAS	01x19.5x88.50x10x1

Model	Capacity	Power	Steel cable	Size (L x W x H)	NW
EWS12000	12000LB	DC 12V	45.1mm x 25m	552x160x218mm	42kg

Pull, Speed, Amperes, Volts (First Layer)		
Line Pull (Lbs./kg)	Line Speed (FPM/m/min)	Motor (Amps)
0	22.08 (9.8m)	80
4000 (1814)	11.58 (3.5m)	170
6000 (2722)	9.68 (3.0m)	230
8000 (3629)	8.28 (2.5m)	290
10000 (4536)	6.88 (2.1m)	300
12000 (5443)	5.68 (1.7m)	360

Line Pull And Rope Capacity In Layer		
Layer	Rated Line Pull (Lbs./kg)	Total Rope On Drum (Ft/m)
1	12000 (5443)	17.6 (5.4)
2	6000 (2722)	37.0 (11.4)
3	4000 (1814)	43.0 (13.4)
4	3000 (1361)	60.0 (18.6)



## IP68 WATERPROOF WINCH 9000LBS MODEL: EWN9000

Comes with a heat-resistant cover - changing the wiring terminal on motor from round to square (anti-skid and abrasion resistant) Tie-bar: changing from steel to aluminium with hard anodizing treatment - winch surface treatment: outdoor powder coating black - it can withstand a long time outdoors without fading or cracking - Clutch Lever is better with easy handling.

Single line rated pull	9000lb
Motor(series wound):	DC 12V Input 6.1hp/4.6kW, Output 2.8hp/2.1kW DC 24V Input 8.7hp/6.5kW, Output 3.8hp/2.8kW
Gear train:	3 stage gear-driven
Gear ratio:	230:1
Braking action:	Automatic in the drum
Fairlead:	4-way roller fairlead
Overall dimensions:	21.3" x 6.3" x 9.76" (540mm x 160mm x 248mm)
Drum size:	2.48x8.8" (63mm x 223mm)
Wire rope:	3/8"x95"(9.2mm x 23m)
Bolt pattern:	10"x4.5" (254mm x 114.3mm) / 10"x6.5" (254 x 165.1) (M10)
Net weight:	73.8 lbs (33.8kg)

LINE SPEED AND AMP DRUM (FIRST LAYER)							
Line Pull	Lbs	NO	2000	4000	6000	8000	9000
	Kgs	LADE	907	1814	2722	3629	4300
Line Speed	FPM		15.8	11.7	9.36	7.7	7
	m/min		7.5	4.4	3.25	2.6	2.15
Motor Current	amps		145	210	280	350	415

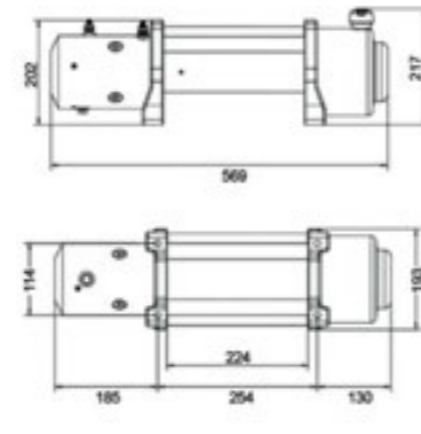
  

LINE PULL AND CABLE CAPACITY					
Layer of cable	Lbs	1	2	3	4
Rated line pull per layer	Kgs	4300	3485	2945	2580
Cumulative cable capacity	Ft	16	42	72	94
	M	5	12	21	28



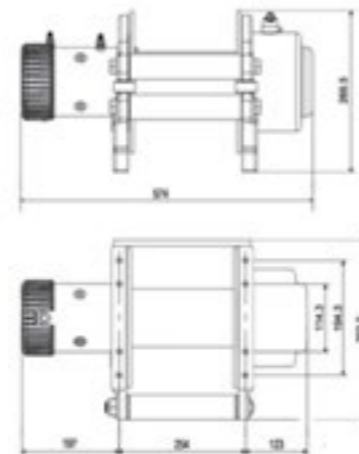
## 15000LBS Winch drawing & specifications

Rated Line Pull	15000lb (6804kg), single line
Motor	5.8hp/4.2kw 12V/5.17hp/4.6kw 24V, series wound motor
Control	Wired remote switch, 12ft(3.7m) cable
Gear Train	3-stage planetary gear
Gear Reduction Ratio	312:1
Clutch	Flexible operation, water-resistant
Braking Action	Automatic drum brake
Drum Size(Dia.*L)	660mm x 221.5mm (26.0" x 8.72")
Cable(Dia.*L)	Φ11mm x 25m (Φ0.433" x 81.86')
Fairlead	4-way roller fairlead
Remote Control	Included
Battery	Recommended: minimum 650CCA
Battery Cable	2 gauge, 72" (1.83m)
Coating	Dark gray powder coat
Overall Dimensions(L*W*H)	21.5" x 7.59" x 9.73" (547mm x 180mm x 247mm)
Mounting Bolt	254mm x 114.3mm (10" x 4.5")
Weight	G.W.: 52kg
Packing Size	60 x 20 x 38.5cm 1PC/CTN



## 20000LBS Winch drawing & specifications

Rated Line Pull	20000LB(9090kg), single line
Motor	7.3hp/5.5kw 12V, series wound motor
Control	Wired remote switch, 12ft(3.7m) cable
Gear Train	3-stage planetary gear
Gear Reduction Ratio	375:1
Clutch	Flexible operation, water-resistant
Braking Action	Automatic drum brake
Drum Size(Dia.*L)	699mm x 201.5mm
Cable(Dia.*L)	Φ13mm x 36m
Fairlead	4-way roller fairlead
Battery	Recommended: minimum 650CCA
Battery Cable	2 gauge, 72" (1.83m)
Coating	Dark gray powder coat
Overall Dimensions(L*W*H)	570mm x 310mm x 280mm
Mounting Bolt	254mm x 114.3mm (10" x 4.5"), 254mm x 19.5mm
Weight (cable not included)	N.W.: 52kg G.W.: 54kg
Cable Weight	N.W.: 28kg G.W.: 29.5kg
Packing	Two cartons in total, one for winch, one for cable

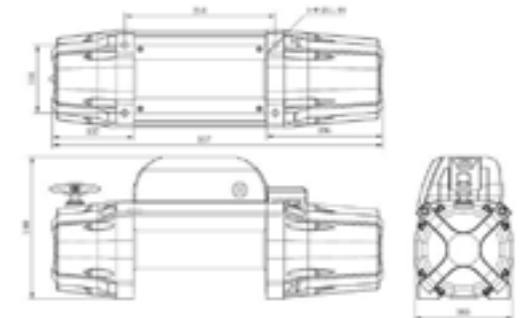


## EW9500N WITH SYNTHETIC ROPE

TGT Manufacture and export various winches and 4x4 off-road accessories of which our winches have gained a strong reputation as superior world-class products. Our winches are specific for incline load pulling, vehicle recovery recreation, commercial and military applications.



9500LBS 12V/24V ATV ELECTRIC WINCH SPECIFICATION:	
Rated Line Pull:	9500LB(4310kg) single-line
Motor:	4.6hp/3.4kw 12V, series Motor
Gear Train:	3-stage planetary
Gear Reduction Ratio:	216:1
Clutch:	rotating ring gear
Cable:	φ8.3mm x 26m steel cable
Drum Size:	φ64mm x 224mm
Overall Dimensions:	(L*W*H) 557x165x260mm, alu. Die cast housing
Weight:	30.5kg (winch and rope weight 24.5kg)
Duty Cycle:	Intermittently
Fairlead:	4WD roller
Package:	1pc/box, (590*205*350mm)
Mounting Bolt Pattern:	254 x 114mm
Remote Control:	Included







# RECOVERY

## WINCH SHACKLE MOUNT

- Conventional hook surfaces add higher stresses to recovery strap fibers, resulting in decreased strap ratings.
- Shackles can be quickly removed and stowed away until needed for winching.
- Hooks do not cinch neatly against fairleads and are prone to rattling and loosening.
- Conventional winch hooks are designed for chains – not commonly used recovery straps.
- Billet construction — precision machined from aluminum round bar.



## ALUMINUM 4X4 HAWSE FAIRLEAD FOR FRONT BUMPER

- Perfectly match with monster front bumper laser cut and formed from 3/16" thick 6061 aluminum alloy strict factory QC test, high quality guaranteed
- Perfectly matches with most front bumpers



## SPEED LIMITER

- Speed limit range : 10km/h to 150km/h
- Speed limit deviation: ±2km/h
- Working voltage range: DC6-36VDC
- Low temperature resistance: -40
- High temperature resistance: +85
- Vibration-resistance performance indicators: frequency 20- 50HZ acceleration



# ACCESSORIES

## HI-JACK FARM JACK

- Ideal for lifting off road vehicles and field equipment.
- Multi-purpose design for lifting, pulling, and spreading.
- Great for pulling posts and poles.
- Can be used as a come along, winch, or hoist.



## HI-LIFT JACK OFF ROAD BASE

- Alleviates jack sinkage on soft surfaces serrated teeth along one side helps scrape or level ground for base.
- Drilled hole in center of base for convenient storage on jackbar.
- Rugged construction for strength and durability.
- Compatible with all Hi-Lift jacks.



## INFLATABLE JACK 4 TON

- Use the vehicle's own exhaust to inflate the jack body, is capable of lifting vehicle out of ruts or holes.
- Air jack can be also inflated by the air compressor.
- Triple protection layer for both top and bottom.
- Double protection design around the body of jack.
- Will safely lift your vehicle up out of a rut or bog in a short time. Simple to use and high efficient.
- Non return valve in the middle of the hose, easy for safety operating with 5 heavy duty anti slip spikes.
- Comes as a complete kit.
- Simple to use without the risk of damage to your vehicle.



## TYRE DEFLATOR

- Tyre deflator gauge
- 0-60 or 0-70psi (custom acceptable)
- 100% brass made deflator valve
- Accurate: ± 1psi
- Braided rubber hose
- Gauge with rubber protector
- Plastic storage box
- Function: testing pressure, deflating.



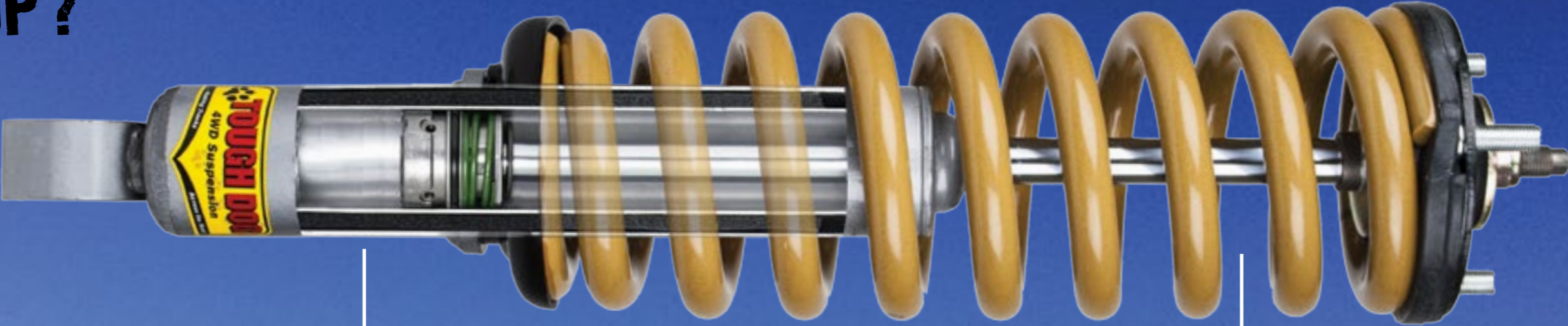
## TGT AXE HEAD

The ideal for clearing and felling timber in all situations. With strength, quality, price, safety and ease of use in mind, this 905mm length axe has a fibre glass handle for non-conductivity, rust/fire resistance, cost effectiveness, great looks and exceptional strength.





# HOW DOES YOUR SUSPENSION MEASURE UP?



Double welded end connections

41mm Bore Size  
Foam Cell Technology guards against aeration & shock fade

18mm Double plated rod

X5K Spring Steel

9 stage ride control adjustment



22mm Double plated rod

45mm Bore Size





# SHOCKS



## 40MM ADJUSTABLE SHOCK

The 40mm adjustable shock brings the ability to fine tune your ride control to just about every 4WD user. The shock offers 9 different stages of adjustment, to fine tune the ride characteristics to your personal preference and application.



## 45MM BIG BORE ADJUSTABLE SHOCK

These tough puppies are the largest bore externally adjustable shocks available on the market. There is nothing that can compare to the 45mm bore in a 70mm outer casing. This is one serious shock.



## 41MM FOAM CELL SHOCK

Tough Dog's award winning Foam Cell shock is our best selling shock for all round performance. Whether you head bush on the occasional weekend or for the majority of the year, Foam Cell shocks will handle your application.



## 53MM RALPH SHOCK

The Tough Dog 'Ralph' shock is the largest 4WD shock on the market. We redesigned shocks originally intended for prime movers to suit 4WD applications.



## 35MM NITRO GAS SHOCK

Nitro gas shocks are built with multi stage velocity sensitive valvin. As the shock moves faster to absorb small bumps in the road like corrugations, the valving responds to maintain the ride control.



## COMPLETE STRUTS

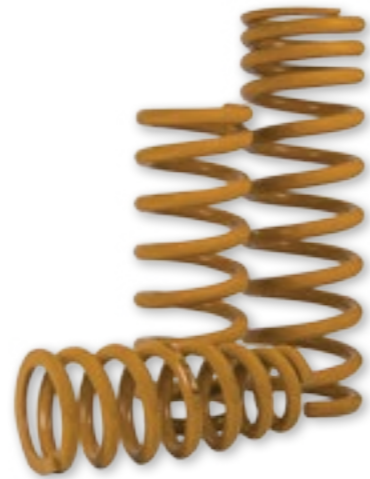
Modern IFS vehicles use strut style suspension in the front axle, and the spring rate required can be more than 750lbs in some instances. Tough Dog offer their complete range of struts in complete assembly variants – at no extra cost!



# SPRINGS

## COIL SPRINGS

Designed and manufactured in Australia from German X5K spring steel, Tough Dog coil springs offer superior ride quality & load carrying ability. Hot formed on precision mandrels to maintain spring memory, they can handle just about anything you can throw at them.



## LEAF SPRINGS

Tough Dog leaf springs are a truly progressive rate leaf spring. Primary and secondary stage leaves ensure that the vehicle's ride remains uncompromised. As the spring is compressed under load, the heavier second stage leaves prevent excessive sag.



# EXTRAS

- ❖ STEERING DAMPERS
- ❖ ALIGNMENT ACCESSORIES
- ❖ PANHARD RODS
- ❖ PINS & SHACKLES
- ❖ TORSION BARS





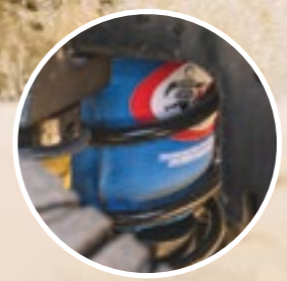
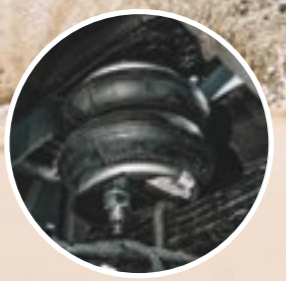


**AIR SUSPENSION**  
Designers & Manufacturers

**Firestone**  
AIRIDE

**DRIVE RITE**

**AMK**  
Drive your comfort!



## EASY LEVELLING CONTROL

Airbag Man Design & Manufacture vehicle specific Air Suspension Solutions to suit a wide range of Light to Heavy Automotive Applications for Maintaining a Safe & Level Ride Height when towing or carrying load.

## APPLICATIONS

Since 1995, Airbag Man has been catering for a wide range of applications from Truck & Bus, 4WD & 2WD, Van, Trailer, Custom, Emergency, Armoured, Industrial, Agricultural, OEM & Fleet.

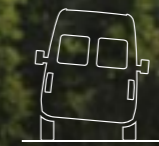
## FEATURES & BENEFITS



BOTTOMING OUT



EXCELLENT RIDE



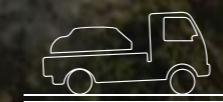
UNSTABLE



STABLE

**HELPS PREVENT** BOTTOMING OUT  
**EXCELLENT** RIDE QUALITY

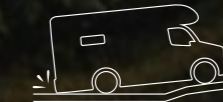
**STABILISE** BODY ROLL  
**IMPROVES** STEERING & BRAKING



SAGGED



LEVEL



NO CLEARANCE



CLEARANCE

**ELIMINATE** SPRING SAG  
**SAFER** LOAD CARRYING

**HELPS PREVENT** TAIL SCRAPPING  
**REDUCES** TYRE WEAR



## HEAVY TRUCK & BUS

Our front & rear air suspension helper kits are designed to fit in-between the existing leaf spring, axle & chassis to provide levelling control when under load as well as vehicle stability and comfort.

These kits are available to suit heavy commercial vehicles ranging from Ford, Freightliner, Higer, Coachmen, Hino, International, Isuzu, Iveco, Kenworth, Mack, Mazda, Mitsubishi, Nissan UD, Oshkosh, Peterbilt, Sterling, Western Star truck & bus applications which provide excellent vehicle stability, improve steering and handling, and offer ideal passenger comfort.



FRONT



REAR



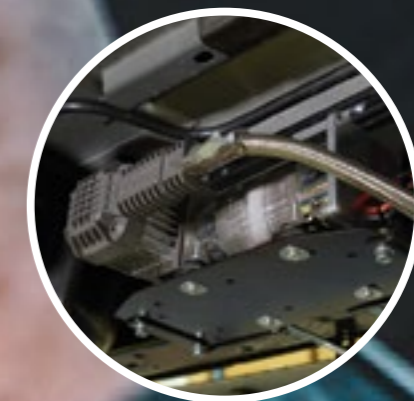




## OPTIONAL ON BOARD AIR CONTROL & SUPPLY SYSTEMS

Build your own Tailor Made On Board Air Control & Supply System to suit your specific individual requirements whether it's Airbag Inflation Only, Tyre & Airbag Inflation or Auto Levelling.

We have a wide range of On Board Air Solutions from Paddle Switches, Electric Switches, Wireless Controllers, Auto Levelling, Dual Digital Airbag Pressure Gauges, Wireless Airbag Pressure Gauges, Air Compressors, Levelling Valves, Fittings, Tubing, Compressor Repair Kits, Air Tanks, Valve Blocks + More.







# POWERDRIVE

Heavy Duty & Performance Clutch Kits are developed and tested in house for optimal clamp load and torque capacity.

## THE NEW STANDARD IN QUALITY

- Proudly Australian owned
- Clutch Kits
- Concentric Slave Cylinders
- Performance and Heavy Duty
- Dual Mass and Single Mass Flywheels
- Clutch Aligning Tools (Hydraulics) All

POWERDRIVE clutch kits come complete with three-piece Clutch assembly (cover, disc & release bearing/csc) Clutch & flywheel kits include the flywheel & flywheel to crank bolts\*

As a bonus all kits now include the pilot bearing or bush\* & installation grease

\*where available/applicable



## DYNAMIC DRIVELINE SOLUTIONS

### CLUTCH KITS

The company supplies an extensive range of organic and ceramic clutch kits to suit the Australian market, including OEM kits for everyday driving, together with specialised performance and sports clutches for enthusiasts.

### PERFORMANCE AND CUSTOM CLUTCH KITS

From a heavy-duty single plate clutch to a unique triple plate custom unit, CBA is constantly expanding its range of performance, heavy duty and complete custom-designed clutch kits. Our upgraded clutch kits are designed to handle extreme conditions with a minimum of noise, vibration or harshness while maintaining the best possible pedal feel, engagement and durability.

### DUAL MASS FLYWHEELS

Clutch and Brake Australia (CBA) maintains a broad range of dual mass flywheels and clutch kits to suit. Dual mass flywheels are highly tuned elements that must be carefully matched to the engine torque curve and vehicle load conditions, talk to our qualified technicians for advice on the correct system for your vehicle.

### SOLID FLYWHEEL CONVERSIONS

Clutch and Brake Australia (CBA) stocks a range of solid flywheel conversions that replace existing dual mass systems, reducing the risk of overheating and enabling the installation of heavy-duty clutch options.

### PILOT BEARINGS

Worn or failed pilot bearings can result in gearbox misalignment leading to clutch failure, so it makes sense to replace the bearing when installing a new clutch. CBA stocks the full range of pilot bearings to suit all vehicles

### CLUTCH ALIGNING TOOLS

These are used to line up the clutch disc with the input shaft before installing the gearbox. CBA has a range of sizes to suit domestic and imported models.





POWERING THE AFTERMARKET WITH A FULL RANGE OF BRAKE PADS, ROTORS, DRUMS AND HYDRAULIC COMPONENTS



# BRAKE ROTORS AND DRUMS

The new POWERSTOP Rotors and Drums are developed from OE samples and made of a specialised high carbon material for added strength and sound dampening qualities.

Our Rotors come with a lateral runout of 0.1mm or less and are mill balanced for a thickness variation of less than 0.01mm POWERSTOP Rotors and Drums are inspected throughout the manufacturing process for consistency and quality to meet or exceed OE specifications.

## FEATURES

- Anti-Corrosion coating to rotor hat and venting surface.
- Non-Direction ground rotor finish for faster bed-in.
- Cast from G3000 qualified material for strength and hardness to meet or exceed OE specifications.



## BRAKE PADS

Available in a range of application specific friction formulations.

POWERSTOP Brake Pads offer long lasting, quiet and clean operation without sacrificing braking performance. Each compound is specifically matched to its application and engineered to be a cost-effective solution, without compromising on quality and safety of the vehicle and its occupants.

## TITANIUM INFUSED OUR LATEST FORMULATION

Chosen specifically for Australian 4WD applications, this Premium Formulation has Titanium infused throughout the friction material. This provides consistent braking performance over a much wider temperature range with strong Anti-Fade properties and increased 'bite'.

## KEVLAR INFUSED CERAMIC DISC PADS

Utilising an advanced Hybrid Kevlar Ceramic Formulation, Kevlar Infused general purpose pads provide Ultra Quiet operation with Low Dust and no black residue. Kevlar is long lasting while being soft on rotors, extending service life.

## STREET COMPOSITE BRAKE DISC PADS

Higher Friction Coefficient for drivers wanting even more 'bite' from their brakes. These Pads use the same Anti-Noise shim technology as the rest of the POWERSTOP range and are ideal for both heavy vehicles and 4WD's.



## STREET COMPOSITE BRAKE DISC PADS



## TITANIUM INFUSED CERAMIC BRAKE DISC PADS



## KEVLAR INFUSED CERAMIC BRAKE DISC PADS





# BRAKEBONDERS

THE PREMIER BRAKE SHOE

Tough gear trading is the authorized international distributor for brake bonders premier brake shoe. With 30 years experience, Brakebonders is the most trusted name in brake shoes. Do the job right the first time. Trust Brakebonders brake shoes.

### WHY BRAKEBONDERS:

- Australian owned & produced
- over 6 million shoes sold since 1985
- largest brake shoe manufacturer in australia
- 100% of range radius ground for perfect fit the first time
- most up to date range with the newest applications available



# BRAKE SHOES

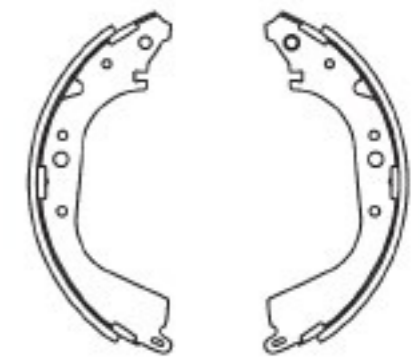
### BRAKEBONDERS BRAKE SHOES

BRAKEBONDERS BRAKE SHOES Perfect for daily driving, towing and off-road use, the BRAKEBONDERS range of brake shoes feature a premium friction material with a minimum friction rating of FF. This provides increased pedal bite when cold and a wider operating temperature range. Radius ground for perfect fit and shorter bedding in times, BRAKEBONDERS shoes offer low dust and quiet operation while providing better braking performance.

### THE BRAKEBONDERS DIFFERENCE:

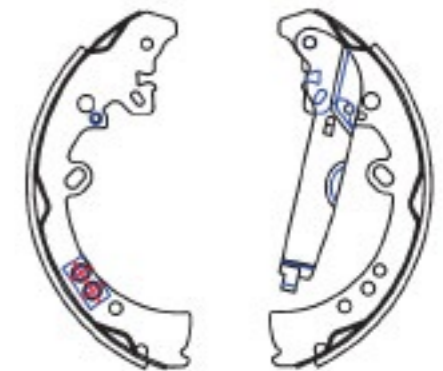
- Contain no asbestos
- 100% of the range is radius ground for perfect fit the first time
- Anti-Corrosion Coating
- Most up to date range with the newest applications available
- Australian owned & produced
- Over 6 million shoes sold since 1985
- Largest brake shoe manufacturer in australia

With more than 30 years experience, BRAKEBONDERS is the most trusted name in brake shoes. Do the job right the first time. Trust BRAKEBONDERS Brake Shoes.



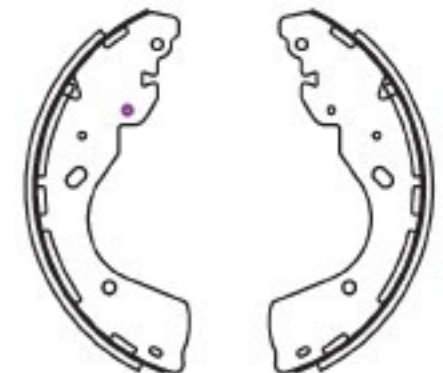
### TOYOTA LAND CRUISER

[GRJ78,GRJ79] 2007 - On  
[J40 Series] 1960 - 1984  
[J60 Series] 1980 - 1991  
[J70 Series] 1984 - On  
[HZJ75] 1990 - 1999



### TOYOTA LAND CRUISER

[GRJ78,GRJ79] 2007 - On  
[J40 Series] 1960 - 1984  
[J60 Series] 1980 - 1991  
[J70 Series] 1984 - On  
[HZJ75] 1990 - 1999



### TOYOTA LAND CRUISER

[GRJ78,GRJ79] 2007 - On  
[J40 Series] 1960 - 1984  
[J60 Series] 1980 - 1991  
[J70 Series] 1984 - On  
[HZJ75] 1990 - 1999



# HARDKORR

LIFE WITHOUT LIMITS



## DUAL-COLOUR

WHITE LIGHT / ORANGE LIGHT

# U-LITE™ LED LANTERN

THE MOST VERSATILE LIGHT EVER MADE

Single - HKUNILITH  
4 pack - HKUNILITH4

With a powerful 155 lumen output, inbuilt lithium battery, bug-reducing orange light option, magnetic back and durable elastic strap, the possibilities for the Hardkorr U-Lite™ Dual Colour lantern are virtually endless.

	15 LM	30 Hrs		50 LM	10 Hrs
	100 LM	6 Hrs		-	160 Hrs
	155 LM	4 Hrs		ORANGE LIGHT	

# TRI-COLOUR

WHITE / WARM WHITE / ORANGE

## TAKE CONTROL OF YOUR CAMP LIGHTING

Designed to light up your tent, caravan, camper trailer, or touring setup, our range of **Tri-colour lighting** products allow you to **dim and change the colour** of your lights. The **cool white** setting will give you plenty of light when you're setting up camp at dusk or reading later at night. **Warm white** is great for sufficient visibility that's not as harsh on the eyes. **Orange light** reduces bug activity by up to 90%, perfect when you're eating or preparing food.

### LED CAMP LIGHT BARS

Our LED Camp Lights provide 180° of extra-bright illumination perfect for lighting up the under the awning, gazebo, tent, or 4x4 canopy. The bars can be mounted using the in-built magnets, or with the included pole clips (available in the 48cm & 100cm kits).



### LED CAMP LIGHT BAR KITS

Our Tri-Colour Camp Light Kits are made to supply you with enough light to illuminate your tent, camper, or caravan setup. Each kit comes with plenty of cables, dimmers, pole clips, and lights along with a carry case.



2 Bar - CAMPKITOW2D  
4 Bar - CAMPKITOW4D  
6 Bar - CAMPKITOW6D

- IP68 RATED
- DIMMABLE LIGHT BEAM
- 180° LIGHT SPREAD
- 12V POWERED

### LED AWNING LIGHT STRIPS

Hardkorr's ezy-fit LED strip is super simple to use. It is ideally suited to be used in tents, awnings, gazebos or anywhere you want to setup a light quickly. The lights come with velcro(r) strips, carabiner clips (on the 1.2m and 2.4m products) and a sail track making it easy to fit to most awnings or annexes. Each kit comes with a carry case, a 12V extension lead and a dimmer.



- IP68 RATED
- DIMMABLE LIGHT BEAM
- SAIL TRACK BUILT-IN
- 12V POWERED

1.3m - HKLSFTOW1.3M  
1.2m - HPFTOW1.2M  
2.4m - HPFTOW2.4M





# TURN NIGHT INTO DAY

Lumiled™ LED chips paired with premium reflector technology, our BZR-X Spotties have been engineered to throw a powerful, even beam, up to 1 lux at 1460 metres with great illumination either side of the lights. Combined with a tough, understated look, integrated daytime running lights (DRLs), with an ultra-slim design, made to suit even some of the narrowest factory bullbars. Mounting hardware, piggyback adaptor and wiring harness included.



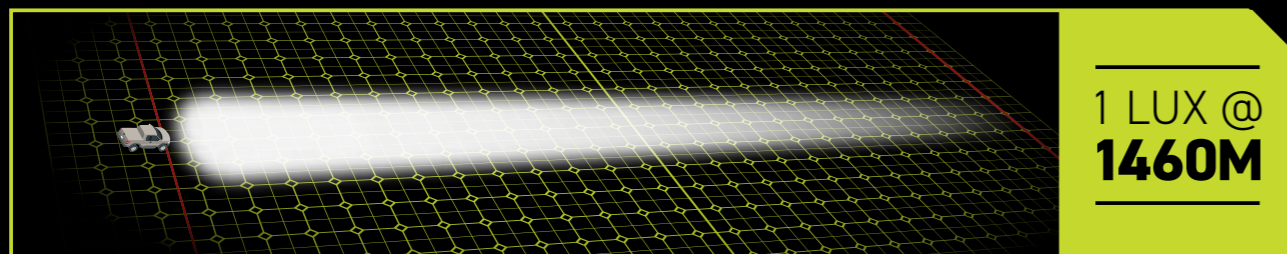
**BZR-X215**

Pair - HKBZR215  
Single - HKBZR215-S



**BZR-X180**

Pair - HKBZR180  
Single - HKBZR180-S



1 LUX @  
**1460M**

## DUAL ROW LED LIGHT BARS

Broad beam light bars designed to give you plenty of vision out to the far reaches either side of the vehicle. Our premium Gen-4 Bars have been made with both CREE® & OSRAM® LED chips designed to give you both great spread and distance. Each of our bars come with both sliding and end mounts, making installation simple.



12" - XDD450-G4      27" - XDD700-G4  
22" - XDD650-G4      42" - XDD900-G4

Our Lifestyle automotive products prove once and for all that cheap doesn't have to mean nasty. We gave our product design team a simple challenge: develop a no-frills, everyday vehicle lighting that would meet our stringent quality and performance standards at a price that would make our customers go 'wow'.

Our Lifestyle automotive range is solidly built, looks great on any vehicle, and most importantly performs as well as many other lights that cost twice as much. Mounting hardware and wiring harness included.



7" Pair - HKLS700  
22" Bar - HKLS600      8.5" Pair - HKLS1100

## HIGH POWER LED WORK LIGHTS

The first ever work lights to incorporate our famous tri-colour switchable light beam technology, these XDW series 45 degree angled work lights make handy auxiliary lights on roof racks, canopies, caravans and more. Available in white or black, they come with everything you need to mount the light, connect it to your setup and control its features including a push-button dimmer and 3m extension cable.



Black - HKXDWOW45B      White - HKXDWOW45W

## MINE-SPEC WORK LIGHTS

We've engineered this range of work lights to be incredibly durable, and extensively tested them to ensure they'll perform under extreme stress in the real world. They are certified to a wide range of international standards for safety and integrity of the product.



40W - HKXDW40MS      30W - HKXDW30MR      26W - HKXDW26MS





135AH - HKPBATL135BH

240AH - HKPBATL240BH



200AH - HKPBATL200C

100AH - HKPBATL100C

135AH - HKPBATL135B

240AH - HKPBATL240B

Weighing half as much and lasting up to 10 times longer than traditional SLA batteries, lithium batteries are a no brainer for any serious camping, or offroad enthusiast. Loaded with a 5-year warranty, high-quality cells, and an intense pre-shipment cycle test, our batteries are made to last.

Our 100Ah and 200Ah LiFePO4 Batteries provide an excellent value for money, no frills approach to lithium batteries. They're equipped with an ultra-high discharge rate, great for when you're using the batteries with an inverter, and have a five-year replacement warranty.



Our 135Ah and 240Ah LiFePO4 Batteries are our premium offerings. Packed into a smaller case than our 100Ah and 200Ah batteries, this range offers ultimate convenience. Coming with an inbuilt Bluetooth module, you can monitor the state of charge, current voltage, cell status, and plenty more, via our HK Battery app.



Our Cold Climate batteries are an iteration of our 135Ah & 240Ah Bluetooth LiFePO4 Batteries. Coming with an inbuilt Battery Management System (BMS) controlled heating film, these batteries will be automatically heated when the ambient temperature has dropped below 0°C ensuring the battery stays in good health no matter where you're set up.

Our lithium batteries have been certified as meeting all required and optional standards for performance and safety, including:

**UN 38.3:** Safety testing of lithium metal / lithium ion batteries in transport

**UL 1642:** Performance/quality testing to guard against risk of fire or explosion

**IEC 62133-2:2017:** Safety testing of portable lithium batteries under intended use and reasonably foreseeable misuse (including vibration test)

**IEC 62619:2017:** Safety testing of lithium batteries for industrial use

**CE MARK:** The batteries meet EU safety, health and environmental protection requirements

In addition, our manufacturing facility has been certified in accordance with the following international standards:

**ISO 9001:** Ensures quality management systems have been implemented

**ISO 14001:** Ensures environmental management systems have been implemented

## DC-DC CHARGERS WITH BLUETOOTH

Charge your batteries while you drive or with the sun. The compact design of the unit makes it ideal for 4x4 canopy setups or in campers and caravans where space is limited. The second output on the charger is our inbuilt Maximum Power Point Tracking (MPPT) regulator designed to generate power up to 15% quicker than traditional Pulse Width Modulation (PWM) regulators. Equipped with our five-stage charging algorithm, the regulator will quickly and safely, bring your batteries back up to full charge.



25A - HKPDCDC25BT

40A - HKPDCDC40BT

## PORTABLE SOLAR PANELS

Folding up into a lightweight tile, our Portable Solar Panels allow you to run a lead out into the sun and start generating power.

Made with an advanced cell technology developed in Australia known as PERC (Passivated Emitter and Rear Contact), the panels are significantly more efficient than conventional panels. At its smallest size, the panel is more than capable of producing enough power to run a standard 12V setup running a fridge and lights. Each panel comes with a regulator, an Anderson extension lead, and alligator clips.



200W - HKPSOLBL200

300W - HKPSOLBL300

250W - HKPSOLBL250

## HEAVY DUTY BATTERY BOX

Our heavy duty battery box allows you to turn a regular deep-cycle battery into a convenient portable power station, or create a simple dual battery setup using either a DC-DC charger or Voltage Sensitive Relay (VSR). The box is suitable for a range of batteries including AGM, Lithium, Gel, and Calcium varieties.

The battery can be charged from a range of sources (including solar panels) by simply plugging into one of the 50A Andersonstyle ports. The battery's charge status and voltage can be easily seen via the large digital display.



Black - HKPBATTBOXB

White - HKPBATTBOXW

Quick-charge USB  
USB-C

12V socket

175A Anderson  
Jump-start plug

50A Anderson  
accessory plug





# ROOFTOP TENT

## TGT Hard-Shell Rooftop Tent: Elevate Your Camping Experience

Embark on unforgettable camping adventures with the TGT Hard-Shell Rooftop Tent, designed to redefine your outdoor experience. This innovative tent seamlessly blends comfort, convenience, and durability, making it the ideal companion for solo travelers, couples, or small families.

### -Detachable Roof Racks

Holds up to 100kg when closed and 5kg when open.

### - Integrated LED Strip for Enhanced Visibility

Illuminate your tent interior with the integrated sewn-in LED strip, providing ample light for navigating your tent at night or during low-light conditions.

### - Removable Telescopic Ladder

150kg load rated.

### - Solar Cord Entrance Point

### - Aluminum Shell for Unrivalled Durability

### - Leave Bedding Inside for Hassle-Free Packing

### - Enhanced Security with Gas Strut Locks

Comes equipped with gas strut locks that firmly secure the tent when opened.

## SPECIFICATIONS

- 190gsm Poly Cotton Fabric Body PU Coated
- 210d Poly-Oxford Silver Coated Rain Fly PU Coated
- 40mm EPE Floor
- 50mm High Density Foam Mattress

Inner Tent Size (open) – 200 x 140 x 100 cm  
Outer Tent Size (closed) – 226 x 155 x 31 cm (Including the roof racks on top) 27cm without roof racks on top  
Tent Weight is 75kg  
Ladder Weight is 7.8kg  
Packaging total weight is 100kg



# ANNEX

## TGT Annex: Expand Your Rooftop Tent Experience

Elevate your rooftop camping adventures with the TGT Annex, a versatile extension that seamlessly integrates with your TGT Rooftop Tent. This adaptable annex offers three distinct configurations to cater to your diverse needs:

**Awning Mode:** Unfold the annex straight out like an awning, creating a spacious shaded area for cooking, dining, or relaxing under the open sky. Utilize the included poles for effortless setup.

**Side-Open Privacy Room:** Transform the annex into a semi-enclosed privacy room by extending it downwards with each side half open. This configuration provides ample coverage for changing clothes or enjoying some seclusion and airflow while still maintaining a connection to the outdoors.

**Complete Privacy Enclosure:** For ultimate privacy, fully extend the annex downwards with both sides down, creating a private enclosure ideal for sleeping or seeking refuge from inclement weather.

### Unmatched Versatility and Convenience

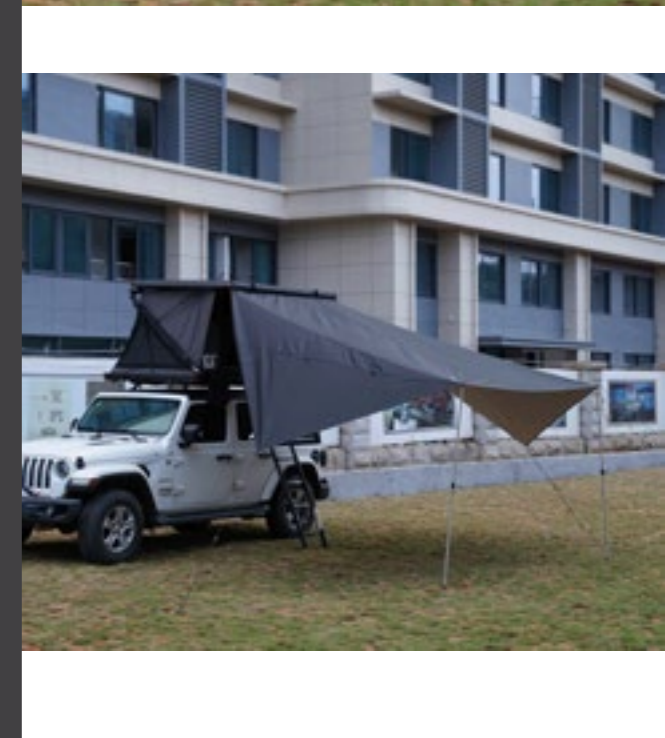
The TGT Annex attaches to the top track of your TGT Rooftop Tent. When not in use, the annex conveniently packs down into a compact size for easy storage and transportation.

### Essential Accessories for Hassle-Free Setup

The TGT Annex comes complete with all the necessary poles, ropes, and hardware for quick and effortless setup.

### Enhanced Safety with Gas Strut Locks

For optimal safety, ensure that the gas strut locks are engaged at all times when the rooftop tent is open and the annex is being used. This precaution ensures the stability of the rooftop tent and prevents unwanted movement.





# ROLA®

JUST ADD ADVENTURE

Rola is a well-established Australian brand with a rich history spanning over four decades. Rola was founded by a Sydney windsurfer seeking a safe and efficient way to transport his surfboard. This innovative solution marked the beginning of a journey that would solidify Rola's position as a leading provider of roof racks and cargo management solutions.



## TITAN TRAY

WHATEVER YOUR ACTIVITY,  
THE TITAN TRAY DELIVERS

**STRONG** - Load capacity, up to 400kg\*

**LIGHT WEIGHT** - To maximise your load

**VERSATILE** - Easyfit accessories for endless mounting options



**The Titan Tray comes packed with functional features and outstanding load carrying capacity which makes it one of the best flat trays available.**

Engineered from high-strength, lightweight aluminium and finished in hard wearing, abrasion resistant powder coating, Titan Tray is not only tough, but rated to carry an impressive 400kg\*.

The new innovative design includes a number of patented features unique to the Titan Tray.

The thoughtful design makes the tray extremely easy to use and takes customisation capabilities to a new level.

(\*Refer to vehicle Owners Manual for specific vehicle roof capacity ratings.)

Patented channels on all outer edges with centre entry points



Adjustable plank spacing with 2 mounting channels per plank



Built-in hook attachment feature under each plank



Channel entry points on each corner block



## PRODUCT RANGE

Combining functionality with form, Rola's range of roof racks, trays, and accessories are designed to withstand the toughest conditions. Our team of engineers, who are also 4x4 and outdoor enthusiasts, rigorously test our products in our ISO accredited laboratory to ensure they can handle the harshest environments, and further test them on the Cruisemaster R.A.T. Run.

- Roof Racks
- Roof Platforms & Trays
- Titan Accessories
- Bike Racks
- Hardware & Straps
- Commercial Accessories





# UTE RACKING

Our new flat pack ute racking is both economical and light. While it is similar in use to what's out there in the market place the difference is it has more robust design, hem folding for strength and safety and comes with quality fittings and instructions.

They are suitable for Fischer plastic bins available also from RV. The kit has three shelves and two end panels and comes with a universal fitting kit.

The new Ute Racking from RV provides an affordable user friendly option for tradesman that need upright organised storage for their many parts and trade tooling. The Rack is orientated so it is accessible from the side window of the canopy but can also be accessed from the rear, particularly the bottom shelf.

There are many extras that can be used with the Ute Racking to make the job easier such as water containers, hand cleaner units, cable rollers etc.

The Rack is designed to sit on the RV EcoLite drawer systems for most popular Dual Cabs Utes and comes with a universal fitting kit to secure to the drawers, leaving the side of the drawers open for storage and access for other items. They can also be floor mounted.

Below is a typical example of a drawer-rack combo fitted in a dual cab ute with canopy.



## UTE RACKING

Assembly required.

P/N: EL-RA1663-00

RACK SIZE OD: W1060 x H630mm x D350

*KIT HAS 3 SHELVES - SIZES (ID)*

*Top shelf ID: W1020 x D230mm (1x narrow top shelf)*

*2nd & 3rd ID: W1020 x D300mm (2x full width shelves)*

*Universal fitting kit included.*



## DOOR KIT

Assembly required.

P/N: EL-DR1220-01

DOOR SIZE: W1020 x H200mm

*Kit includes: 2x Hinges and 2x Locks*



Right: Ute Racking shown mounted to 1400 twin drawers.

Where applicable Van Racking may be floor mounted with modifications to the length of the racking legs. Please check the measurements for your application.

# UTE DRAWERS/ VAN MODULES

## DRAW SYSTEM

Rugged all-steel construction to keep your business neat and organised.

We have been making drawer systems for 25 years and supplying the industry for just as long.

Using construction methods only seen in the Aeronautical industry to date, we have designed a smart, light and tough, full steel roller bearing twin drawer storage system that's also light on the hip pocket, a winner all round!

## FEATURES INCLUDE:

- Full 18mm thick floor with UV friendly carpet
- Carpet lined cross braced drawers
- Fully carpeted drawer fronts as standard
- Sealed roller bearing action
- 12 months warranty
- Keyed alike locks
- ADR compliant and rated to carry 150kgs of cargo in and on the system

Below: Ford PX Ranger fitted with 1400 twin drawers.



## TWIN DRAWER - WITH WING KIT (UTES ONLY)

### SPECIFICATIONS:

WEIGHT: 90kg approx.

(EL1400 twin drawer & wings)

SIZE: L900/1000/1400 x W1020 x H275mm

ADR LOAD RATING: 150kg across the system.

## TWIN DRAWER MODULES - NO WING KIT (VANS OR UTES)

### SPECIFICATIONS:

WEIGHT: 85kg approx. (EL1400 twin module)

SIZE: L900/1000/1400 x W1020 x H275mm

ADR LOAD RATING: 150kg across the system.





# TGT HISTORY

- 2015** - TGT was born! TGT is a family run business, founded by the Turner family. We launched in 7 countries & appointed dealers in the Gulf Region.
- 2016** – We secured contracts with the UN and Saudi Arabia Military to support Auto parts for specialised 4x4 vehicles.
- 2017** - Launched TGT Dubai, with full offices and operations team.
- 2018** - Expanded range of offers and held the licence for many strong Australian Brands as international licence holder.
- 2019** - Launched TGT in Sub-Sahara Africa and expanded global team and appointment of specialised military experience. Opened facility and showrooms in the UAE.
- 2020** - Launched TGT camping products into Australia and began participating in local 4x4 Shows. Secured warehouse facilities within Australia. Opened showrooms in Kenya.
- 2021** - Expanded our range. A brand new webpage and updated catalogues were launched. Secured contract in Egypt with Government and appointed new team members in the region. Secured contract with Egypt Mines to support 4x4 accessories.
- 2022** - Launched XGG suspension in Australia and appointed new dealers in Australia. Expanded network & dealerships in Europe.
- 2023** – Expanded further. XGG Suspension took off in UAE and Europe especially. Partnership with Carsales and Goodyear/Dunlop stores. Upgraded the TGT Profile and marketing. Launched new military catalogue and welcome new suppliers. Launched mining applications.
- 2024** – 2024 has been a successful year for TGT, marked by significant growth and participation in various shows both domestically and internationally. We are excited to continue this momentum in 2025 with plans for even more global events.



# PROJECTS

Tough Gear Trading is a trusted project management partner, specializing in the automotive and military sectors. We have successfully completed projects for clients all over the world, from replacing the fleet of rooftop tents for leisure and camping providers such as Jucy rentals in Australia to supplying automotive solutions to the international military. We take on projects of all sizes, and we are committed to working closely with our clients to ensure their needs are met. Our project management team is experienced and professional, and we use the latest tools and techniques to ensure that your project is completed on time and within budget. We are confident that we can handle any project that you throw our way. Contact us today to discuss your needs.







# PROMO GEAR

Make a statement with TGT's range of high-quality promo gear. Whether you're outfitting your team or creating a buzz at industry events, our branded apparel and accessories are designed to impress. From t-shirts and caps to bags and marquees, we have everything you need to for your next event.



# EXHIBITIONS & SHOWS

Tough Gear Trading is proud to participate in many shows in Australia and around the world, from military to 4x4 expos.

We often work in conjunction with our supplier partners or global distributors to ensure our presence and successful participation at these shows.

We carefully plan and target all our exhibitions to ensure that we are reaching the right audiences.





# LOGISTICS

## INTERNATIONAL SUPPLY CHAIN LOGISTICS MANAGEMENT

Tough Gear Trading provide their import and export clients with innovative and cost effective end to end freight solutions, with the use of 21st century information technology.

Tough Gear Trading understands the evolving supply chain needs of your business, our Suppliers and our Customers, particularly with regards to:

- Preparation of all the required export commercial documentation
- Obtaining eligible Certificates of Origin from the Australian Government Authorities
- Warehousing and consolidation of multiple orders from various Australian Suppliers to reduce Freight costs for our customers
- Air and LCL / FCL sea freight management with their international Carrier partners
- Tough Gear Trading has a high level of compliance with all the relevant Australian and Overseas Government Regulations



# TESTIMONIALS

“Clutch and Brake Australia (CBA) proudly acknowledges its partnership with Tough Gear Trading (TGT) as a pivotal aspect of our business success. Our collaboration with TGT has significantly enhanced our ability to reach new markets and meet demands efficiently and effectively. TGT’s commitment to adaptability, coupled with their professionalism in product delivery, has been instrumental in the successful completion of numerous projects. One of the standout features of our partnership with TGT is their flexibility in providing bespoke products and tailored solutions. TGT has consistently embraced our design inputs, resulting in the introduction of new solutions and improved products to our customers at competitive prices. TGT’s long-term market presence, coupled with their track record of successful projects, underscores their reliability as a partner. Their streamlined organizational structure and effective business model further enhance the efficiency of our collaboration. Customer satisfaction is at the heart of everything we do, and our collaboration with TGT exemplifies this principle. We are confident that future collaborations with TGT will continue to yield fruitful results for CBA, TGT and our customers..”

- **CLUTCH AND BRAKE AUSTRALIA**

“Partnering with Tough Gear Trading has been a game-changer for Airbag Man in the international market. Their expertise in providing solutions in commercial and military automotive applications compliments our vast array of air suspension products, creating a dynamic synergy that addresses diverse customer needs. From the outset, Airbag Man’s commitment to quality and innovation has aligned seamlessly with Tough Gear Trading’s ethos of reliability and durability. Together, we’ve been able to penetrate new markets and expand our reach, offering comprehensive solutions that enhance safety, performance, and comfort for our customers worldwide. The collaboration between Airbag Man and Tough Gear Trading goes beyond mere product integration; it’s a true partnership built on trust, mutual respect, and a shared vision for excellence. With their exceptional support and resources, we’ve navigated complex international landscapes with ease, establishing a formidable presence and earning the trust of clients and distributors alike. As we continue to grow and evolve, we look forward to further strengthening our alliance and setting new benchmarks in the global market.”

- **AIRBAG MAN**

“Since 2015, Tough Dog Suspension has been collaborating with Tough Gear Trading. The partnership originated when TGT’s founder, Gary Turner, began working with John Agostino, the founder of Tough Dog. This friendship dates back some 15 years, highlighting the strong bond between the two companies.

Gary Turner and his partners, including Hennie Fourie, boast extensive military backgrounds, bringing a wealth of knowledge, experience, and connections in the armoured vehicles and security sectors.

With Hennie’s experience in working with companies that construct armoured vehicles, he understands what it takes to produce a reliable product using top-quality and dependable brands.

Tough Dog acknowledges the expertise that TGT contributes to their export markets, especially in the military and armoured vehicle segments.

Furthermore, both Gary and Hennie have over 28 years of experience in the 4x4 industry, making them well-versed in international markets.

With a common vision for the future, both companies have capitalized on their collective experience and expertise to establish thriving partnerships on multiple projects.

Our excitement for the future is amplified as we anticipate the continued expansion of our international presence, hand in hand with TGT..”

- **TOUGH DOG**



 [WWW.LINKEDIN.COM.AU/COMPANY/TOUGH-GEAR-TRADING](http://WWW.LINKEDIN.COM.AU/COMPANY/TOUGH-GEAR-TRADING)

 [WWW.FACEBOOK.COM/TOUGHGEARTRADING](http://WWW.FACEBOOK.COM/TOUGHGEARTRADING)

 [@TOUGHGEARTRADING](https://www.instagram.com/TOUGHGEARTRADING)

[WWW.TOUGHGEARTRADING.COM](http://WWW.TOUGHGEARTRADING.COM)

