

Series
VENTS VKP



Centrifugal fans with the air capacity up to **7800 m³/h** for rectangular ducts

VENTS VKP 1000*500



Centrifugal fans with the air flow up to **15000 m³/h** for rectangular ducts

Series
VENTS VKPI



Centrifugal sound- and heat-insulated fans with the air flow up to **3515 m³/h** for rectangular ducts

■ **Applications**

Supply and exhaust ventilation systems for commercial, office and other public or industrial premises with a limited mounting space. For connection with 400*200, 500*250, 500*300, 600*300, 600*350, 1000*500 mm the rectangular ducts.

■ **Design**

Fan casing is made of galvanized steel. VKPI models are sound- and heat-insulated with 50 mm mineral wool layer.

■ **Motor**

Impellers with backward curved impeller blades made of galvanized steel are powered by means of the 2-, 4- or 6-pole asynchronous motors with external rotor. Motors

are supplied with incorporated overheating protection with automatic restart or the thermal protection terminals leaded outside for connection to the external protection devices depending on the model, see the wiring diagram motor is equipped with ball bearings for long service life. For precise features, safe operation and low noise, each impeller is dynamically balanced while assembly. Motor protection rating IP44.

■ **Speed control**

Smooth or step speed control with a thyristor or autotransformer speed controller. Several fans may be connected to one speed controller provided that the total power and operating current do not exceed the rated speed controller parameters.

■ **Mounting**

The fans are mounted into the rectangular ducts and require no special fixing in case of direct connection. In case of connection through the flexible connectors the fan is fixed to a building by means of supports, suspension brackets or fixation brackets. Fans can be mounted in any position with respect to the airflow direction (indicated with an arrow on the casing). Access for the fan maintenance shall be provided. The fan is powered through the external terminals. The casing is equipped with the removable access cover for maintenance purposes.

Designation key

Series		Motor modification		Flange diameter [W*H]
VENTS VKP	I: sound- and heat-insulated casing S: highpowered motor	Number of poles	Phase	
			2	E: single phase D: three phase
		4		
		6		

ErP data	
Overall efficiency	η [%]
Measurement category	MC
Efficiency category	EC
Efficiency grade	N
Variable speed drive	VSD
Power	kW
Current	A
Air flow	m ³ /h
Static pressure	Pa
Speed	n/min ⁻¹
Specific ratio	SR

Accessories



Plate heat exchanger

Silencer

Filters

Heaters

Air flow controller

Mixing chamber

Gravity louvre shutter

Flexible connectors

Speed controllers

Technical data

	VKP/VKPI 2E 400*200		VKP/VKPI 2E 500*250		VKP/VKPI 4E 500*300		VKP/VKPI 4D 500*300	
Voltage [V]	1~230		1~230		1~230		3~400	
Frequency [Hz]	50	60	50	60	50	60	50	60
Power [W]	138	200	305	380	140	175	136	165
Current [A]	0.6	0.88	1.32	1.65	0.57	0.73	0.34	0.53
Max. air flow [m³/h]	930	1070	1720	1850	1700	1855	1380	1620
RPM [min ⁻¹]	2600	2850	2550	2830	1390	1530	1360	1600
Noise level at 3 m [dBA]	50/45*	52/47*	57/51*	58/52*	53/48*	55/50*	52/47*	55/50*
Transported air temperature [°C]	-25...+45	-25...+45	-25...+45	-25...+45	-25...+45	-25...+50	-25...+65	-25...+55
Protection rating	IPX4	IPX4	IPX4	IPX4	IPX4	IPX4	IPX4	IPX4

* parameter for VKPI fan

	VKP/VKPI 4E 600*300		VKP/VKPI 4D 600*300		VKP/VKPI 4E 600*350	
Voltage [V]	1~230		3~400		1~230	
Frequency [Hz]	50	60	50	60	50	60
Power [W]	220	310	230	235	470	700
Current [A]	0.9	1.38	0.52	0.53	2.37	3.15
Max. air flow [m³/h]	2470	2510	2530	2630	2950	3515
RPM [min ⁻¹]	1400	1450	1360	1600	1370	1460
Noise level at 3 m [dBA]	52/46*	52/46*	51/45*	53/47*	52/47*	53/47*
Transported air temperature [°C]	-25...+45	-25...+40	-25...+70	-25...+65	-40...+80	-40...+55
Protection rating	IPX4	IPX4	IPX4	IPX4	IPX4	IPX4

* parameter for VKPI fan

	VKP/VKPI 4D 600*350				VKPS 4E 600*350	
Voltage [V]	3~230 Δ		3~400 Y		1~230	
Frequency [Hz]	50	60	50	60	50	60
Power [W]	510	750	380	515	447	679
Current [A]	1.41	1.44	0.7	0.93	1,97	2.99
Max. air flow [m³/h]	2970	3410	2660	2730	4070	4500
RPM [min ⁻¹]	1415	1610	1235	1220	1380	1600
Noise level at 3 m [dBA]	51/46*	53/46*	50/46*	50/46*	54	56
Transported air temperature [°C]	-40...+60	-40...+60	-40...+80	-40...+40	-30...+60	-30...+60
Protection rating	IPX4	IPX4	IPX4	IPX4	IPX4	

* parameter for VKPI fan

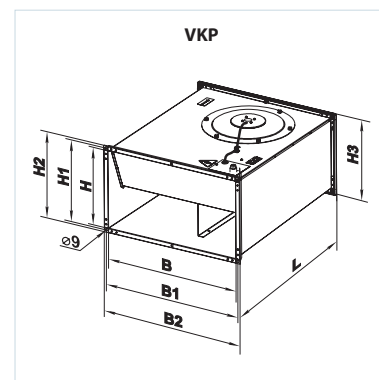
	VKP 4D 700*400	VKP 4D 800*500	VKP 4D 1000*500	VKP 6D 1000*500
Voltage [V]	3~400		3~400	3~400
Frequency [Hz]	50		50	50
Power [W]	828		1508	4300
Current [A]	1.62		2.71	6.8
Max. air flow [m³/h]	5580		7800	15000
RPM [min ⁻¹]	1418		1440	1370
Noise level at 3 m [dBA]	57		58	70
Transported air temperature [°C]	-30...+60		-30...+60	-30...+60
Protection rating	IPX4		IPX4	IPX4

* parameter for VKPI fan

VENTS
VKP/VKPI
FAN SERIES

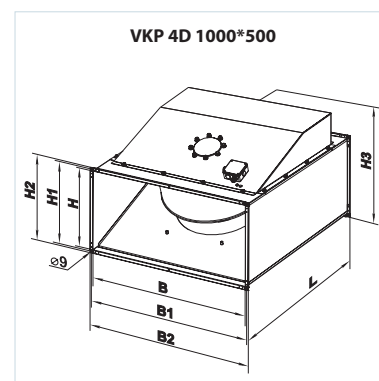
Fan overall dimensions

Type	Dimensions [mm]								Mass [kg]
	B	B1	B2	H	H1	H2	H3	L	
VKP 2E 400*200	400	420	440	200	220	240	240	500	11.25
VKP 2E 500*250	500	520	540	250	270	290	290	640	17.88
VKP 4E 500*300	500	520	540	300	320	340	340	680	19.8
VKP 4D 500*300	500	520	540	300	320	340	340	680	19.8
VKP 4E 600*300	600	620	640	300	320	340	342	680	27.77
VKP 4D 600*300	600	620	640	300	320	340	342	680	27.77
VKP 4E 600*350	600	620	640	350	370	390	390	735	36.38
VKP 4D 600*350	600	620	640	350	370	390	390	735	36.38
VKPS 4E 600*350	600	620	640	350	370	390	390	652	30
VKP 4D 700*400	700	720	740	400	420	440	440	753	41
VKP 4D 800*500	800	820	840	500	520	540	540	903	54



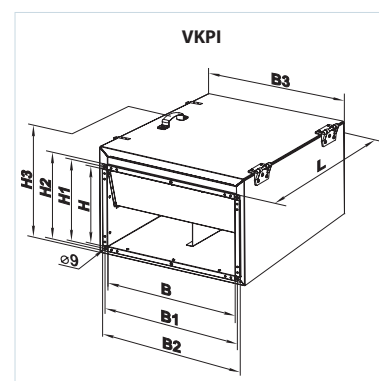
Fan overall dimensions

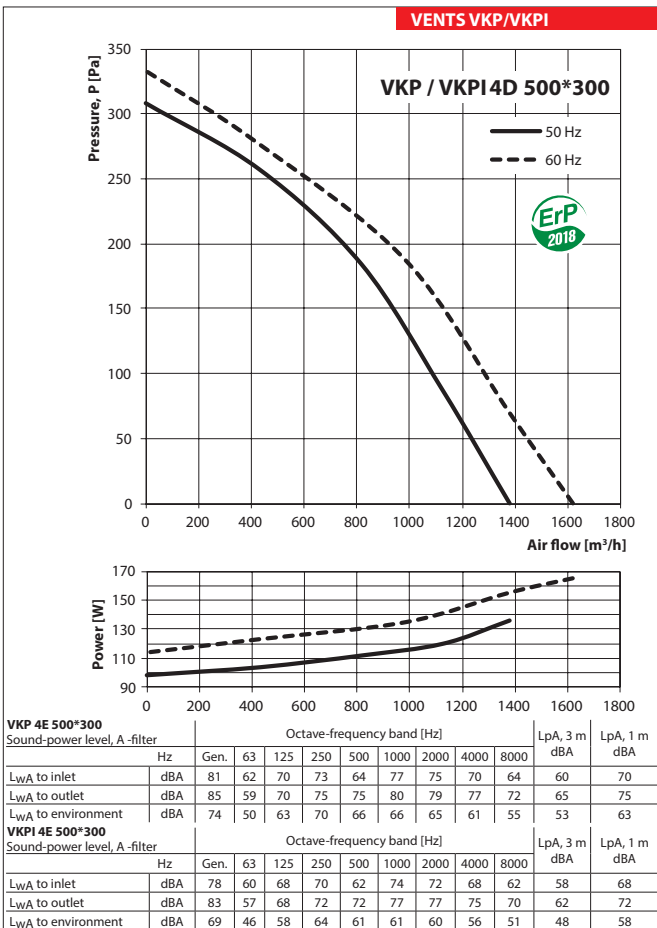
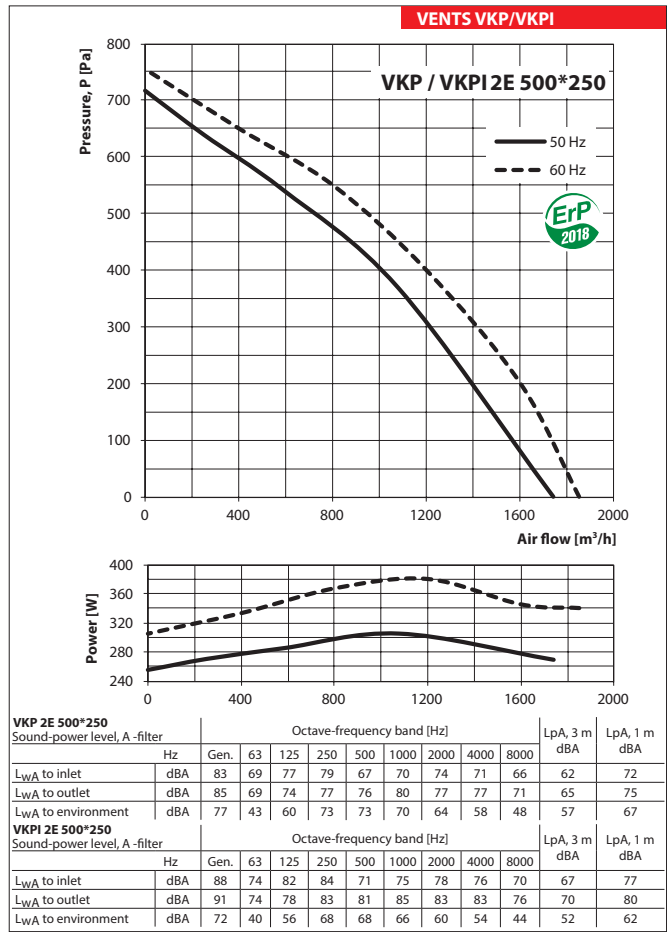
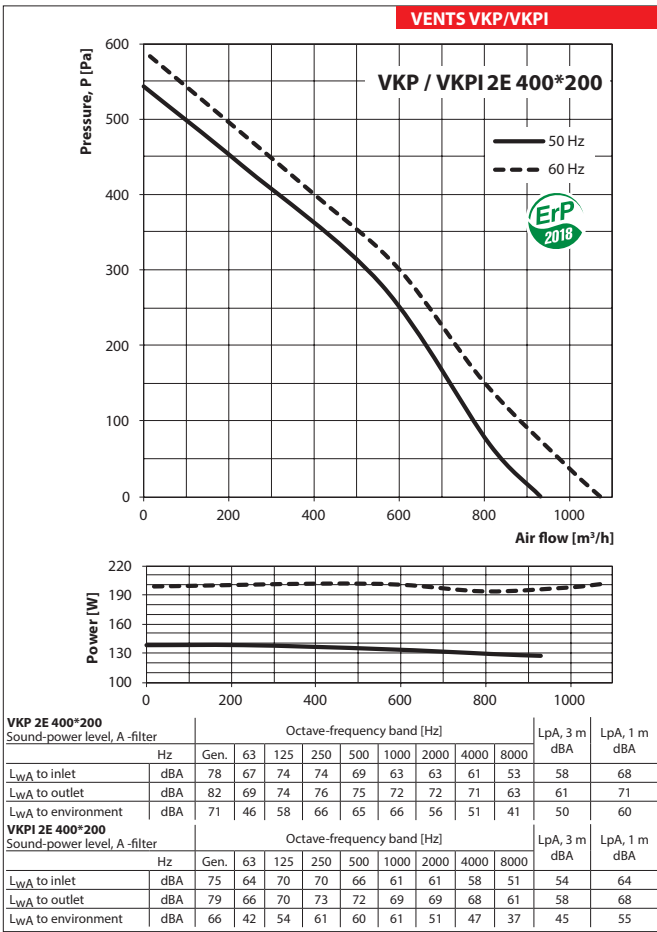
Type	Dimensions [mm]								Mass [kg]
	B	B1	B2	H	H1	H2	H3	L	
VKP 4D 1000*500	1000	1020	1040	500	520	540	720	1150	126
VKP 6D 1000*500	1000	1020	1040	500	520	540	720	1150	120



Fan overall dimensions

Type	Dimensions [mm]									Mass [kg]
	B	B1	B2	B3	H	H1	H2	H3	L	
VKPI 2E 400*200	400	420	440	500	200	220	240	360	500	24.5
VKPI 2E 500*250	500	520	540	600	250	270	290	410	640	27.6
VKPI 4E 500*300	500	520	540	600	300	320	340	460	680	37.2
VKPI 4D 500*300	500	520	540	600	300	320	340	460	680	37.2
VKPI 4E 600*300	600	620	640	700	300	320	340	460	680	43.5
VKPI 4D 600*300	600	620	640	700	300	320	340	460	680	43.5
VKPI 4E 600*350	600	620	640	700	350	370	390	530	735	56.2
VKPI 4D 600*350	600	620	640	700	350	370	390	530	735	56.2

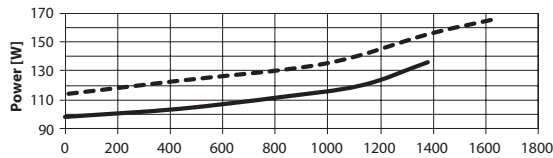
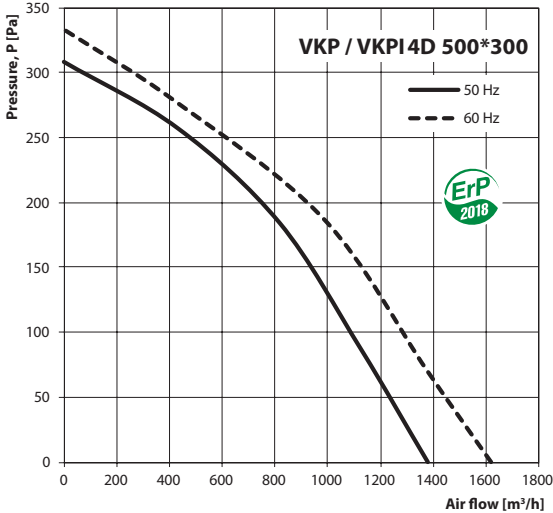




VKP 2E 400*200

η [%]	MC	EC	N	VSD	kW	A	m³/h	Pa	RPM	SR
38.9	A	Static	58.1	No	0.148	0.65	560	362	2550	1

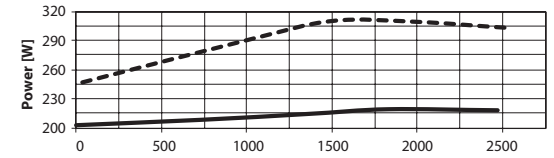
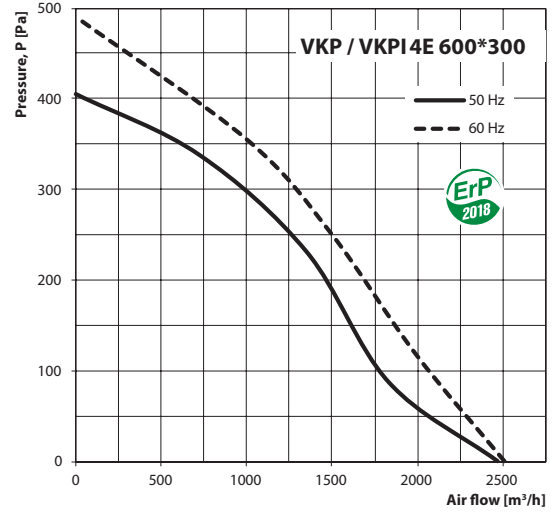
VENTS VKP/VKPI



VKP 4D 500*300		Octave-frequency band [Hz]								LpA, 3 m	LpA, 1 m		
Sound-power level, A -filter		Hz	Gen.	63	125	250	500	1000	2000	4000	8000	dBA	dBA
L _{wA} to inlet	dBA	80	61	69	72	63	75	74	69	63	59	69	
L _{wA} to outlet	dBA	83	58	69	74	74	78	77	75	71	63	73	
L _{wA} to environment	dBA	73	50	62	69	65	65	64	60	54	52	62	

VKPI 4D 500*300		Octave-frequency band [Hz]								LpA, 3 m	LpA, 1 m		
Sound-power level, A -filter		Hz	Gen.	63	125	250	500	1000	2000	4000	8000	dBA	dBA
L _{wA} to inlet	dBA	77	59	67	69	61	73	71	67	61	56	66	
L _{wA} to outlet	dBA	81	56	67	71	71	75	75	74	69	61	71	
L _{wA} to environment	dBA	68	46	57	63	60	60	59	55	50	47	57	

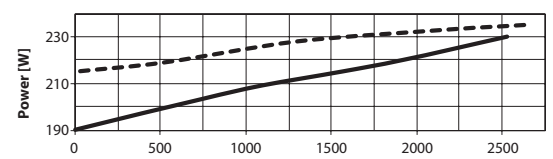
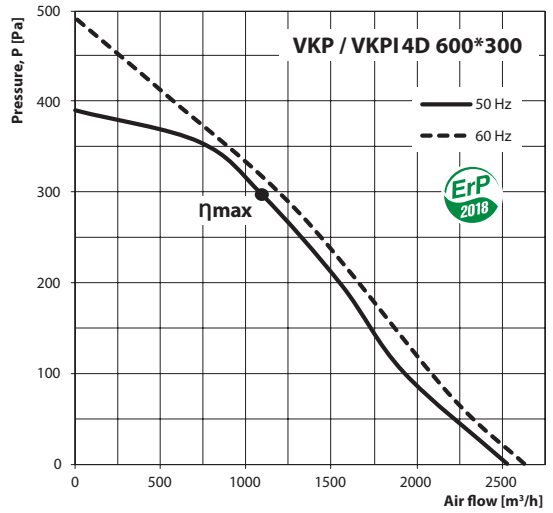
VENTS VKP/VKPI



VKP 4E 600*300		Octave-frequency band [Hz]								LpA, 3 m	LpA, 1 m		
Sound-power level, A -filter		Hz	Gen.	63	125	250	500	1000	2000	4000	8000	dBA	dBA
L _{wA} to inlet	dBA	86	74	81	81	76	69	69	67	58	65	75	
L _{wA} to outlet	dBA	89	76	81	84	83	79	79	78	69	69	79	
L _{wA} to environment	dBA	73	47	60	68	67	68	58	53	42	52	62	

VKPI 4E 600*300		Octave-frequency band [Hz]								LpA, 3 m	LpA, 1 m		
Sound-power level, A -filter		Hz	Gen.	63	125	250	500	1000	2000	4000	8000	dBA	dBA
L _{wA} to inlet	dBA	81	70	77	77	72	66	66	64	55	61	71	
L _{wA} to outlet	dBA	85	72	77	80	79	75	75	74	66	65	75	
L _{wA} to environment	dBA	67	43	55	62	61	62	53	48	38	46	56	

VENTS VKP/VKPI

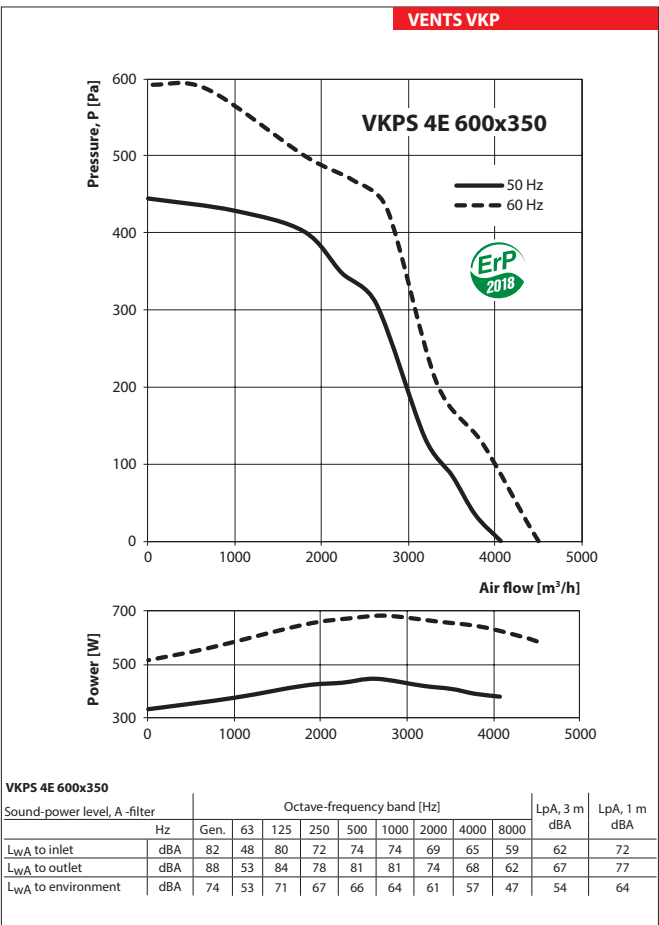
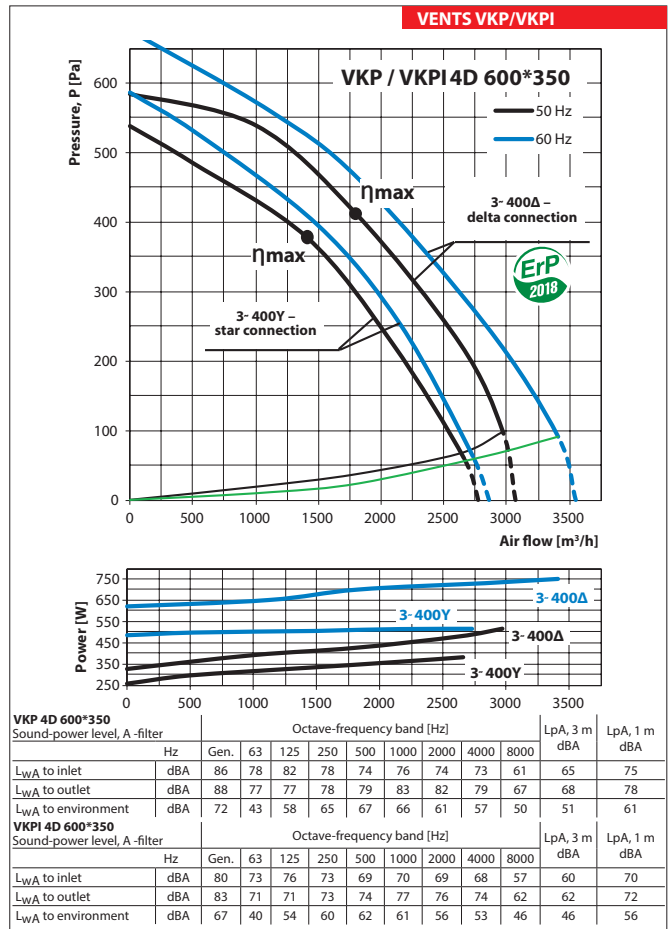
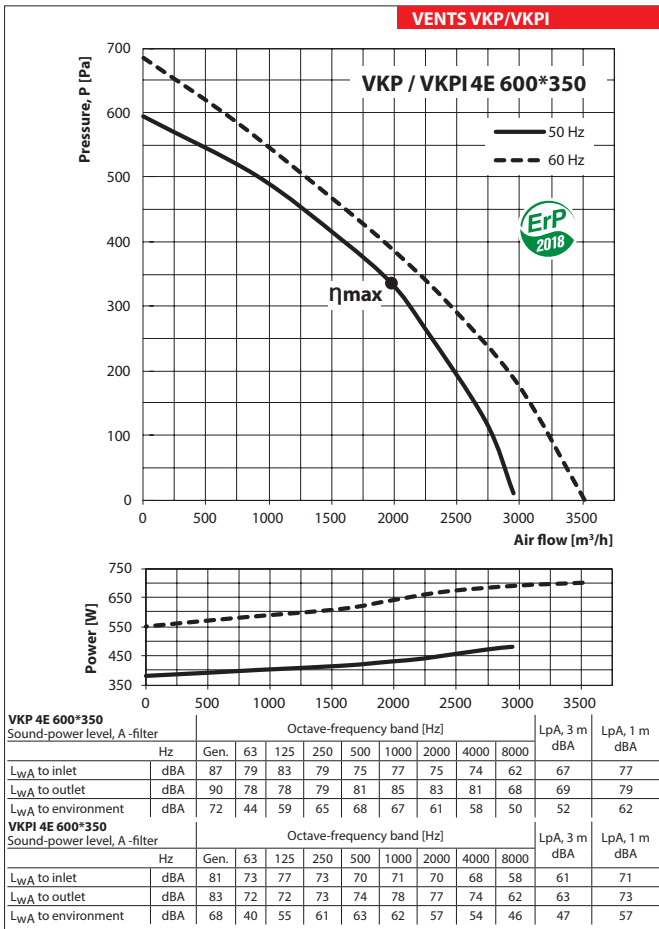


VKP 4D 600*300		Octave-frequency band [Hz]								LpA, 3 m	LpA, 1 m		
Sound-power level, A -filter		Hz	Gen.	63	125	250	500	1000	2000	4000	8000	dBA	dBA
L _{wA} to inlet	dBA	84	73	79	79	74	68	68	66	57	63	73	
L _{wA} to outlet	dBA	88	74	79	82	81	77	77	76	68	67	77	
L _{wA} to environment	dBA	72	47	59	67	66	67	57	52	42	51	61	

VKPI 4D 600*300		Octave-frequency band [Hz]								LpA, 3 m	LpA, 1 m		
Sound-power level, A -filter		Hz	Gen.	63	125	250	500	1000	2000	4000	8000	dBA	dBA
L _{wA} to inlet	dBA	80	69	75	75	71	65	65	63	54	59	69	
L _{wA} to outlet	dBA	84	71	75	78	77	74	74	73	65	63	73	
L _{wA} to environment	dBA	66	43	54	61	60	61	52	48	38	45	55	

VKPD 600*300

η [%]	MC	EC	N	VSD	kW	A	m³/h	Pa	RPM	SR
44.1	A	Static	61.7	No	0.209	0.65	1094	297	1375	1



VKP 4E 600*350										
η [%]	MC	EC	N	VSD	kW	A	m³/h	Pa	RPM	SR
43.7	A	Static	58.1	No	0.430	2.17	1980	335	1390	1

VKP 4D 600*350										
η [%]	MC	EC	N	VSD	kW	A	m³/h	Pa	RPM	SR
3~400Δ – delta connection										
49.5	A	Static	64	No	0.424	1.32	1799	412	1415	1
3~400Y – star connection										
45.7	A	Static	61.3	No	0.330	0.55	1409	378	1380	1

