



**TRACTOR LINKAGE PARTS  
& ENGINEERING GOODS**

**CATALOGUE**

**QUALITY  
IS  
NOT  
A  
MATTER  
OF  
CHANCE**



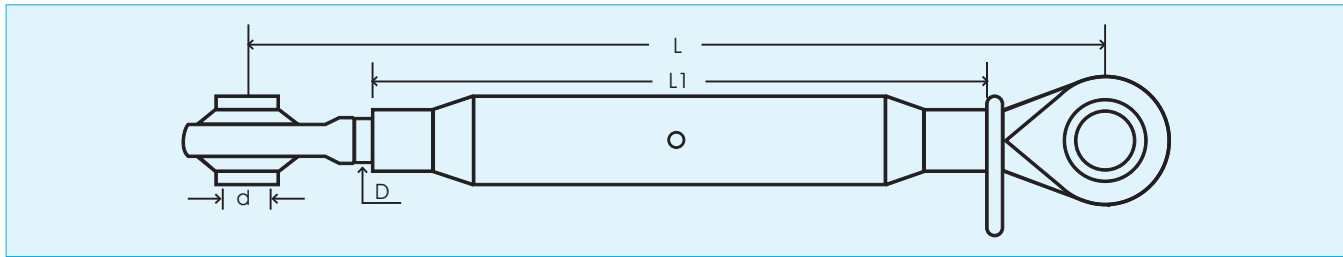
Advance Agro International, manufacturer & exporters of Tractor Linkage Parts, Agricultural Implements and Other Engineering Goods, is one of the leading Organisation in India.

The company ensures highest standards of quality by means of modern laboratory, well equipped with most sophisticated instruments. Goods are produced with the latest technology of manufacturing under the supervision of highly qualified and experienced engineers.

The expertise of the company is to develop new items on the basis of samples or drawings provided by the clients.

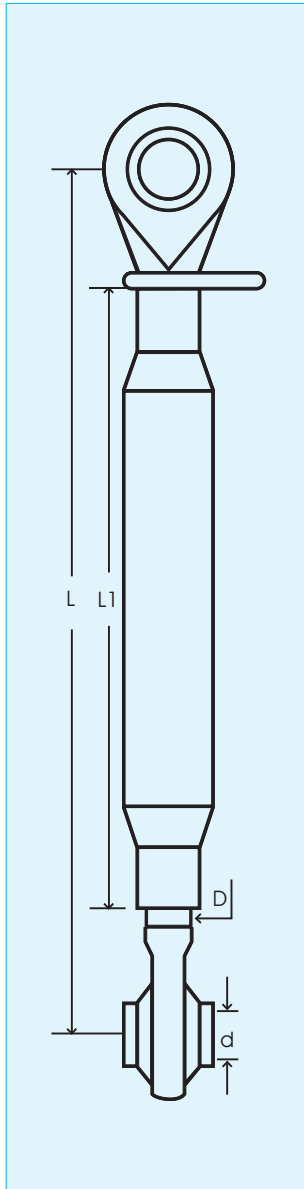
The trust of the organisation has always been to produce quality goods and to render prompt services to their overseas buyers.

# TOP LINKS



| Top Links ( With Forged Ends) |       |              |              |               |                   |                   |
|-------------------------------|-------|--------------|--------------|---------------|-------------------|-------------------|
| Part No.                      | Cat   | d<br>Inch/mm | D<br>Inch/mm | L1<br>Inch/mm | L. Min<br>Inch/mm | L. Max<br>Inch/mm |
| AA100                         | 0     | 5/8"         | 3/4"         | 7-1/2"        | 10-3/4"           | 16-3/8"           |
| AA101                         | 0     | 5/8"         | 3/4"         | 9-1/2"        | 12-3/4"           | 18-3/8"           |
| AA102                         | 1     | 3/4"         | 1-1/8"       | 13"           | 17-1/2"           | 26"               |
| AA103                         | 1     | 3/4"         | 1-1/8"       | 16"           | 20-1/2"           | 29"               |
| AA104                         | 1     | 3/4"         | 1-1/8"       | 20"           | 24-1/2"           | 33"               |
| AA105                         | 2     | 1"           | 1-1/8"       | 13"           | 18"               | 27-3/4"           |
| AA106                         | 2     | 1"           | 1-1/8"       | 16"           | 21"               | 33"               |
| AA107                         | 2     | 1"           | 1-1/8"       | 20"           | 25"               | 37"               |
| AA108                         | 1 & 2 | 3/4"x1"      | 1-1/8"       | 13"           | 17-3/4"           | 28"               |
| AA109                         | 1 & 2 | 3/4"x1"      | 1-1/8"       | 16"           | 20-3/4"           | 31"               |
| AA110                         | 1 & 2 | 3/4"x1"      | 1-1/8"       | 20"           | 24-3/4"           | 35"               |
| AA111                         | 2     | 1"           | 1-1/4"       | 15"           | 20-1/2"           | 31-1/2"           |
| AA112                         | 2     | 1"           | 1-1/4"       | 19"           | 24-1/2"           | 35-1/2"           |
| AA113                         | 3     | 1-1/4"       | 1-3/8"       | 19"           | 25-1/2"           | 36-1/2"           |
| AA1001                        | 1     | 19           | 22x2.5       | 230           | 330               | 490               |
| AA1002                        | 1     | 19           | 22x2.5       | 300           | 400               | 560               |
| AA1003                        | 1     | 19           | 24x2.5       | 320           | 430               | 570               |
| AA1004                        | 1     | 19           | 24x2.5       | 370           | 480               | 620               |
| AA1005                        | 1     | 19           | 27x3         | 370           | 480               | 690               |
| AA1006                        | 1     | 19           | 27x3         | 430           | 540               | 750               |
| AA1007                        | 1     | 19           | 27x3         | 470           | 580               | 790               |
| AA1008                        | 1     | 19           | 27x3         | 570           | 680               | 890               |
| AA1009                        | 1 & 2 | 19/25.4      | 27x3         | 360           | 480               | 680               |
| AA1010                        | 1 & 2 | 19/25.4      | 27x3         | 470           | 585               | 810               |
| AA1011                        | 2     | 25.4         | 27x3         | 320           | 460               | 680               |
| AA1012                        | 2     | 25.4         | 27x3         | 430           | 550               | 780               |
| AA1013                        | 2     | 25.4         | 27x3         | 500           | 620               | 850               |
| AA1014                        | 2     | 25.4         | 30x3         | 460           | 580               | 830               |
| AA1015                        | 2     | 25.4         | 30x3         | 520           | 640               | 890               |
| AA1016                        | 2     | 25.4         | 30x3         | 560           | 680               | 930               |
| AA1017                        | 2     | 25.4         | 30x3         | 610           | 730               | 980               |
| AA1018                        | 2     | 25.4         | 36x3         | 400           | 525               | 760               |
| AA1019                        | 2     | 25.4         | 36x3         | 580           | 705               | 920               |

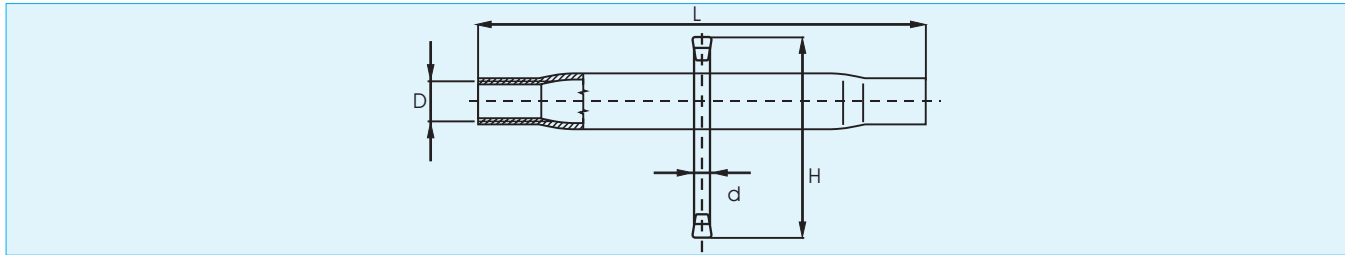
# TOP LINKS



## Top Links ( With Forged Ends)

| Part No. | Cat   | d<br>Inch/mm | D<br>Inch/mm | L1<br>Inch/mm | L. Min<br>Inch/mm | L. Max<br>Inch/mm |
|----------|-------|--------------|--------------|---------------|-------------------|-------------------|
| AA1020   | 2 & 3 | 25.4/32      | 36x3         | 400           | 555               | 840               |
| AA1021   | 3     | 32           | 36x3         | 460           | 615               | 900               |
| AA1022   | 2     | 25.4         | 40x3         | 500           | 635               | 870               |
| AA1023   | 2     | 25.4         | 40x3         | 620           | 755               | 990               |
| AA1024   | 1     | 19           | 30x3.5       | 180           | 285               | 360               |
| AA1025   | 1 & 2 | 19/25.4      | 30x3.5       | 180           | 300               | 370               |
| AA1026   | 2     | 25.4         | 30x3.5       | 180           | 305               | 375               |
| AA1027   | 1     | 19           | 30x3.5       | 230           | 345               | 475               |
| AA1028   | 1 & 2 | 19/25.4      | 30x3.5       | 230           | 350               | 485               |
| AA1029   | 2     | 25.4         | 30x3.5       | 230           | 355               | 490               |
| AA1030   | 1     | 19           | 30x3.5       | 270           | 370               | 470               |
| AA1031   | 1 & 2 | 19/25.4      | 30x3.5       | 270           | 385               | 485               |
| AA1032   | 2     | 25.4         | 30x3.5       | 270           | 390               | 490               |
| AA1033   | 1     | 19           | 30x3.5       | 330           | 440               | 520               |
| AA1034   | 1 & 2 | 19/25.4      | 30x3.5       | 330           | 445               | 540               |
| AA1035   | 2     | 25.4         | 30x3.5       | 330           | 450               | 545               |
| AA1036   | 1     | 19           | 30x3.5       | 370           | 480               | 730               |
| AA1037   | 1 & 2 | 19/25.4      | 30x3.5       | 370           | 495               | 745               |
| AA1038   | 2     | 25.4         | 30x3.5       | 370           | 500               | 750               |
| AA1039   | 1     | 19           | 30x3.5       | 405           | 520               | 770               |
| AA1040   | 1 & 2 | 19/25.4      | 30x3.5       | 405           | 530               | 780               |
| AA1041   | 2     | 25.4         | 30x3.5       | 405           | 535               | 785               |
| AA1042   | 1     | 19           | 30x3.5       | 450           | 555               | 815               |
| AA1043   | 1 & 2 | 19/25.4      | 30x3.5       | 450           | 570               | 830               |
| AA1044   | 2     | 25.4         | 30x3.5       | 450           | 575               | 835               |
| AA1045   | 1     | 19           | 30x3.5       | 510           | 620               | 870               |
| AA1046   | 1 & 2 | 19/25.4      | 30x3.5       | 510           | 635               | 885               |
| AA1047   | 2     | 25.4         | 30x3.5       | 510           | 640               | 890               |
| AA1048   | 1     | 19           | 30x3.5       | 610           | 720               | 970               |
| AA1049   | 1 & 2 | 19/25.4      | 30x3.5       | 610           | 735               | 985               |
| AA1050   | 2     | 25.4         | 30x3.5       | 610           | 740               | 990               |
| AA1051   | 1     | 19           | 30x3.5       | 730           | 840               | 1040              |
| AA1052   | 1 & 2 | 19/25.4      | 30x3.5       | 730           | 855               | 1055              |
| AA1053   | 2     | 25.4         | 30x3.5       | 730           | 860               | 1060              |
| AA1054   | 1     | 19           | 30x3.5       | 850           | 960               | 1210              |
| AA1055   | 1 & 2 | 19/25.4      | 30x3.5       | 850           | 975               | 1225              |
| AA1056   | 2     | 25.4         | 30x3.5       | 850           | 980               | 1230              |
| AA1057   | 1     | 19           | 30x3.5       | 950           | 1060              | 1310              |
| AA1058   | 1 & 2 | 19/25.4      | 30x3.5       | 950           | 1075              | 1325              |
| AA1059   | 2     | 25.4         | 30x3.5       | 950           | 1080              | 1330              |

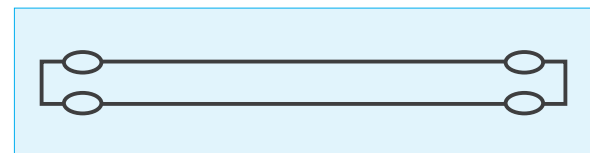
# TOP LINK TUBES



| Top Link Tubes |              |              |              |              |
|----------------|--------------|--------------|--------------|--------------|
| Part No.       | L<br>Inch/mm | D<br>Inch/mm | d<br>Inch/mm | H<br>Inch/mm |
| AA1075         | 7-1/2"       | 3/4"         | 1/2"         | 8"           |
| AA1076         | 9-1/2"       | 3/4"         | 1/2"         | 8"           |
| AA1077         | 13"          | 1-1/8"       | 1/2"         | 8"           |
| AA1078         | 16"          | 1-1/8"       | 1/2"         | 8"           |
| AA1079         | 20"          | 1-1/8"       | 1/2"         | 8"           |
| AA1080         | 15"          | 1-1/4"       | 1/2"         | 8"           |
| AA1081         | 19"          | 1-1/4"       | 1/2"         | 8"           |
| AA1082         | 19"          | 1-3/8"       | 1/2"         | 8"           |
| AA1083         | 230          | 22X2.5       | 12           | 130          |
| AA1084         | 280          | 22X2.5       | 12           | 130          |
| AA1085         | 300          | 22X2.5       | 12           | 130          |
| AA1086         | 320          | 24X2.5       | 12           | 130          |
| AA1087         | 370          | 24X2.5       | 12           | 130          |
| AA1088         | 470          | 24X2.5       | 12           | 130          |
| AA1089         | 220          | 27X3         | 12           | 130          |
| AA1090         | 320          | 27X3         | 12           | 130          |
| AA1091         | 370          | 27X3         | 12           | 130          |
| AA1092         | 400          | 27X3         | 12           | 130          |
| AA1093         | 430          | 27X3         | 12           | 130          |
| AA1094         | 470          | 27X3         | 12           | 130          |
| AA1095         | 500          | 27X3         | 12           | 130          |
| AA1096         | 570          | 27X3         | 12           | 130          |
| AA1097         | 350          | 30X3         | 12           | 160          |
| AA1098         | 400          | 30X3         | 12           | 160          |
| AA1099         | 420          | 30X3         | 12           | 160          |
| AA1100         | 460          | 30X3         | 12           | 160          |
| AA1101         | 500          | 30X3         | 12           | 160          |
| AA1102         | 520          | 30X3         | 12           | 160          |
| AA1103         | 560          | 30X3         | 12           | 160          |
| AA1104         | 610          | 30X3         | 12           | 160          |
| AA1105         | 730          | 30X3         | 12           | 160          |
| AA1106         | 360          | 36X3         | 12           | 160          |

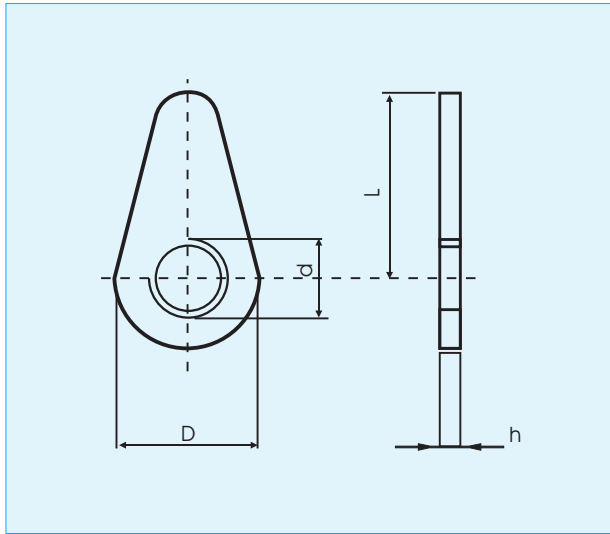
| Top Link Tubes |              |              |              |              |
|----------------|--------------|--------------|--------------|--------------|
| Part No.       | L<br>Inch/mm | D<br>Inch/mm | d<br>Inch/mm | H<br>Inch/mm |
| AA1107         | 400          | 36X3         | 12           | 160          |
| AA1108         | 450          | 36X3         | 12           | 160          |
| AA1109         | 460          | 36X3         | 12           | 160          |
| AA1110         | 520          | 36X3         | 12           | 160          |
| AA1111         | 580          | 36X3         | 12           | 160          |
| AA1112         | 500          | 40X3         | 12           | 200          |
| AA1113         | 620          | 40X3         | 12           | 200          |
| AA1114         | 180          | 30X3.5       | 12           | 135          |
| AA1115         | 230          | 30X3.5       | 12           | 135          |
| AA1116         | 270          | 30X3.5       | 12           | 135          |
| AA1117         | 330          | 30X3.5       | 12           | 135          |
| AA1118         | 370          | 30X3.5       | 12           | 135          |
| AA1119         | 405          | 30X3.5       | 12           | 135          |
| AA1120         | 450          | 30X3.5       | 12           | 135          |
| AA1121         | 510          | 30X3.5       | 12           | 135          |
| AA1122         | 610          | 30X3.5       | 12           | 135          |
| AA1123         | 730          | 30X3.5       | 12           | 135          |
| AA1124         | 850          | 30X3.5       | 12           | 135          |
| AA1125         | 950          | 30X3.5       | 12           | 135          |

## Top Link Handles



| Part No. | Dia<br>Inch/mm | Length<br>Inch/mm |
|----------|----------------|-------------------|
| AA135    | 1/2"           | 8"                |
| AA136    | 12             | 135               |
| AA136a   | 12             | 160               |

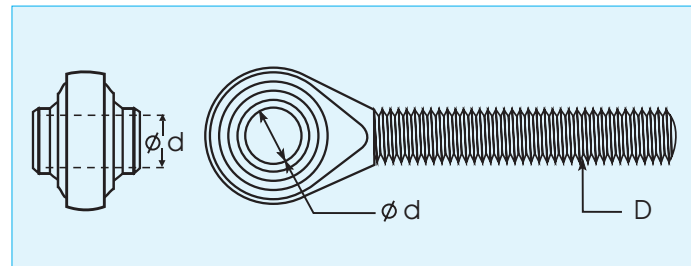
# TOP LINK LOCK WASHERS



| Top Link Lock Washers |     |                |           |           |           |
|-----------------------|-----|----------------|-----------|-----------|-----------|
| Part No.              | Cat | Thread Inch/mm | D Inch/mm | H Inch/mm | L Inch/mm |
| AA126                 | 0   | 3/4"           | -         | -         |           |
| AA127                 | 1   | 1-1/8"         | 1-5/8"    | 1/4"      | 3"        |
| AA128                 | 2   | 1-1/4"         | 1-3/4"    | 1/4"      | 3-3/8"    |
| AA1130                | 1   | 22X2.5         | 40        | 6         | 60        |
| AA1131                | 1   | 24X2.5         | 40        | 6         | 60        |
| AA1132                | 1   | 27X3           | 40        | 6         | 60        |
| AA1133                | 2   | 30X3           | 40        | 6         | 60        |
| AA1134                | 2   | 30X3.5         | 40        | 6         | 60        |
| AA1135                | 3   | 36X3           | 60        | 10        | 88        |
| AA1136                | 2   | 40X3           | 60        | 10        | 88        |

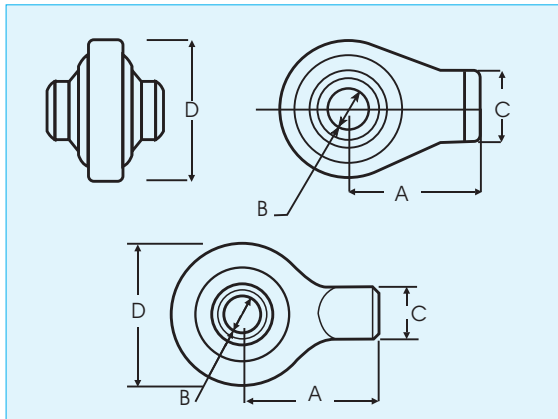
# TOP LINK REPLACEMENT ENDS

| Forged Top Link Replacement Ends |             |      |           |           |
|----------------------------------|-------------|------|-----------|-----------|
| Part No.                         | Thread Type | Cat  | d Inch/mm | D Inch/mm |
| AA151                            | RH          | 0    | 5/8"      | 3/4"      |
| AA152                            | LH          | 0    | 5/8"      | 3/4"      |
| AA153                            | RH          | 1    | 3/4"      | 1-1/8"    |
| AA154                            | LH          | 1    | 3/4"      | 1-1/8"    |
| AA155                            | RH          | 2    | 1"        | 1-1/8"    |
| AA156                            | LH          | 2    | 1"        | 1-1/8"    |
| AA157                            | RH          | 2 HD | 1"        | 1-1/4"    |
| AA158                            | LH          | 2 HD | 1"        | 1-1/4"    |
| AA159                            | RH          | 3    | 1-1/4"    | 1-3/8"    |
| AA160                            | LH          | 3    | 1-1/4"    | 1-3/8"    |
| AA1261                           | RH          | 1    | 19        | 22x2.5    |
| AA1262                           | LH          | 1    | 19        | 22x2.5    |
| AA1263                           | RH          | 1    | 19        | 24x2.5    |
| AA1264                           | LH          | 1    | 19        | 24x2.5    |
| AA1265                           | RH          | 1    | 19        | 27x3      |
| AA1266                           | LH          | 1    | 19        | 27x3      |
| AA1267                           | RH          | 2    | 25.4      | 27x3      |
| AA1268                           | LH          | 2    | 25.4      | 27x3      |
| AA1269                           | RH          | 2    | 25.4      | 30x3      |
| AA1270                           | LH          | 2    | 25.4      | 30x3      |



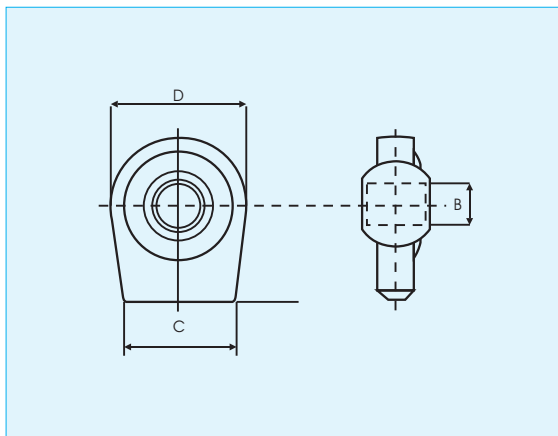
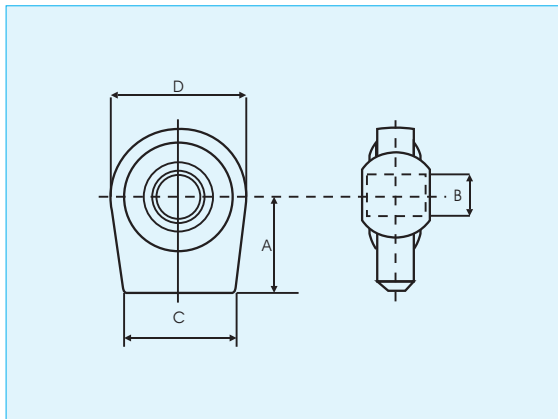
|        |    |   |      |        |
|--------|----|---|------|--------|
| AA1271 | RH | 2 | 25.4 | 36x3   |
| AA1272 | LH | 2 | 25.4 | 36x3   |
| AA1273 | RH | 2 | 25.4 | 40x3   |
| AA1274 | LH | 2 | 25.4 | 40x3   |
| AA1275 | RH | 3 | 32   | 36x3   |
| AA1276 | LH | 3 | 32   | 36x3   |
| AA1277 | RH | 1 | 19   | 30x3.5 |
| AA1278 | LH | 1 | 19   | 30x3.5 |
| AA1279 | RH | 1 | 19   | 30x3.5 |
| AA1280 | LH | 1 | 19   | 30x3.5 |
| AA1281 | RH | 2 | 25.4 | 30x3.5 |
| AA1282 | LH | 2 | 25.4 | 30x3.5 |
| AA1283 | RH | 2 | 25.4 | 30x3.5 |
| AA1284 | LH | 2 | 25.4 | 30x3.5 |
| AA1285 | RH | 2 | 25.4 | 30x3.5 |
| AA1286 | LH | 2 | 25.4 | 30x3.5 |

# TOP LINK WELD ON ENDS



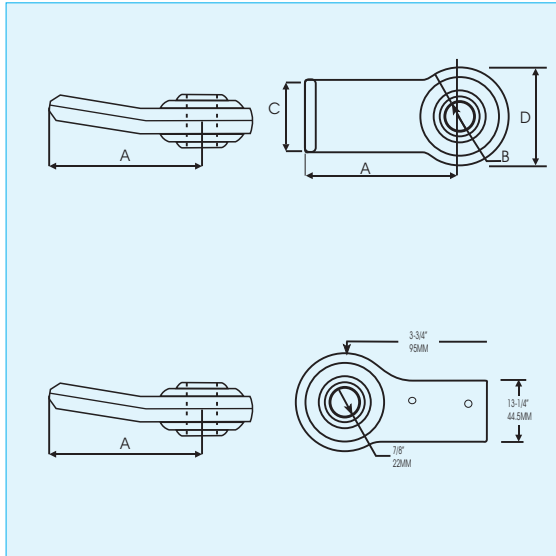
| Top Link Weld On Ends (Forged) |     |              |              |              |              |
|--------------------------------|-----|--------------|--------------|--------------|--------------|
| Part No.                       | Cat | A<br>Inch/mm | B<br>Inch/mm | C<br>Inch/mm | D<br>Inch/mm |
| AA171                          | 1   | 2"           | 3/4"         | 1-1/8"       | 2-1/4"       |
| AA172                          | 2   | 2-3/8"       | 1"           | 1-1/8"       | 2-5/8"       |
| AA1396                         | 1   | 48           | 19           | 25           | 53           |
| AA1397                         | 1   | 60           | 19           | 34           | 62           |
| AA1398                         | 2   | 73           | 25.4         | 30           | 72           |
| AA1399                         | 2   | 70           | 25.4         | 50           | 80           |
| AA1400                         | 3   | 70           | 32.1         | 50           | 80           |

# LOWER LINK WELD ON ENDS



| Lower Link Weld On Ends (Forged) |       |              |              |              |              |
|----------------------------------|-------|--------------|--------------|--------------|--------------|
| Part No.                         | Cat   | A<br>Inch/mm | B<br>Inch/mm | C<br>Inch/mm | D<br>Inch/mm |
| AA173                            | 1     | 2-3/4"       | 7/8"         | 2-3/8"       | 2-3/4"       |
| AA174                            | 2     | 3-1/8"       | 1-1/8"       | 2-3/4"       | 3-1/8"       |
| AA175                            | 3     | 3-3/8"       | 1-7/16"      | 3"           | 3-3/8"       |
| AA1378                           | 1     | 50           | 19.3         | 56           | 67           |
| AA1379                           | 1     | 50           | 22.1         | 56           | 67           |
| AA1380                           | 1     | 75           | 22.1         | 58           | 67           |
| AA1381                           | 1 & 2 | 80           | 22.1/28.4    | 70           | 80           |
| AA1382                           | 2     | 80           | 28.4         | 70           | 80           |
| AA1383                           | 2     | 80           | 28.4         | 70           | 80           |
| AA1384                           | -     | 60           | 14           | 30           | 46           |
| AA1385                           | -     | 60           | 16           | 30           | 46           |
| AA1386                           | 1     | 40           | 19.3         | 50           | 65           |
| AA1387                           | 1     | 40           | 22.1         | 50           | 65           |
| AA1388                           | 1     | 75           | 22.1         | 58           | 67           |
| AA1389                           | 2     | 80           | 25.4         | 70           | 80           |
| AA1390                           | 2     | 50           | 28.4         | 70           | 76           |
| AA1391                           | 2     | 80           | 28.4         | 70           | 80           |
| AA1392                           | 2     | 80           | 28.4         | 70           | 80           |
| AA1393                           | 1 & 2 | 80           | 22.1/28.4    | 70           | 80           |
| AA1394                           | 2     | 65           | 28.4         | 80           | 108          |
| AA1395                           | 3     | 65           | 37           | 80           | 108          |

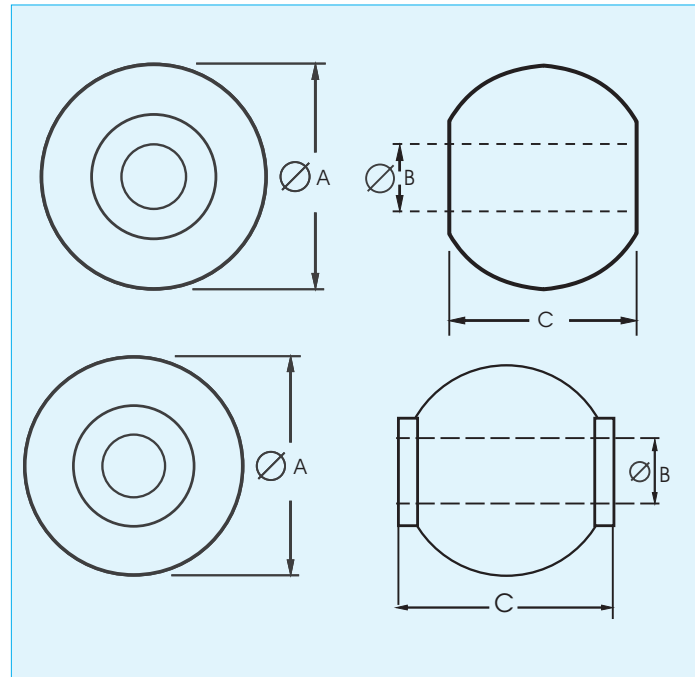
# LOWER LINK WELD ON ENDS



| LOWER LINK WELD ON ENDS (BENT) |      |              |              |              |              |
|--------------------------------|------|--------------|--------------|--------------|--------------|
| Part No.                       | Cat  | A<br>Inch/mm | B<br>Inch/mm | C<br>Inch/mm | D<br>Inch/mm |
| AA176                          | 1    | 4"           | 7/8"         | 1-7/8"       | 2-5/8"       |
| AA177                          | 2    | 4"           | 1-1/8"       | 1-7/8"       | 3-1/8"       |
| AA176a                         | 1 LH | 3-3/4"       | 7/8"         | 1-3/4"       | 2-5/8"       |
| AA177a                         | 1 RH | 3-3/4"       | 7/8"         | 1-3/4"       | 2-5/8"       |

# REPLACEMENT BALLS

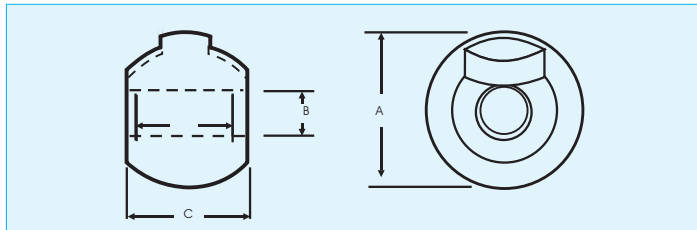
| Part No. | Cat | A<br>Inch/mm | B<br>Inch/mm | C<br>Inch/mm |
|----------|-----|--------------|--------------|--------------|
| AA250    | 1   | 2-1/4"       | 7/8"         | 1-3/8"       |
| AA251    | 2   | 2-1/4"       | 1-1/8"       | 1-3/4"       |
| AA252    | 2   | 2-1/4"       | 1-1/8"       | 1-3/8"       |
| AA253    | 1   | 2"           | 3/4"         | 1-3/4"       |
| AA254    | 2   | 2"           | 1"           | 1-3/4"       |
| AA255    | 2   | 2"           | 1-1/8"       | 1-3/4"       |
| AA256    | 1   | 1-13/16"     | 3/4"         | 1-3/8"       |
| AA1460   | 2   | 50           | 25.4         | 51           |
| AA1461   | 2   | 54           | 25.4         | 51           |
| AA1462   | 2   | 60           | 25.4         | 51           |
| AA1463   | 3   | 60           | 32.4         | 51           |
| AA1464   | 2   | 64           | 28.4         | 45           |
| AA1465   | 3   | 64           | 37           | 45           |
| AA1466   | 1   | 38           | 19           | 44           |
| AA1467   | 1   | 42           | 19           | 44           |
| AA1468   | 1   | 42           | 20           | 44           |
| AA1469   | 3   | 54           | 32           | 51           |
| AA1470   | 3   | 54           | 30           | 55           |
| AA1471   | 2   | 58           | 28.4         | 35           |
| AA1472   | 2   | 58           | 28.4         | 45           |
| AA1473   | 2   | 62           | 28           | 45           |
| AA1474   | 2   | 62           | 25.4         | 51           |



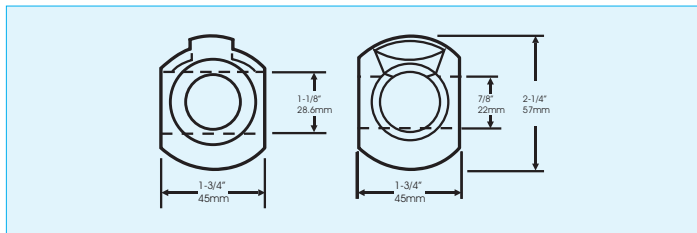
| Part No. | Cat | A<br>Inch/mm | B<br>Inch/mm | C<br>Inch/mm |
|----------|-----|--------------|--------------|--------------|
| AA1475   | 3   | 62           | 32           | 51           |
| AA1476   | 2   | 64           | 28.4         | 72           |
| AA1477   | 3   | 64           | 37           | 72           |



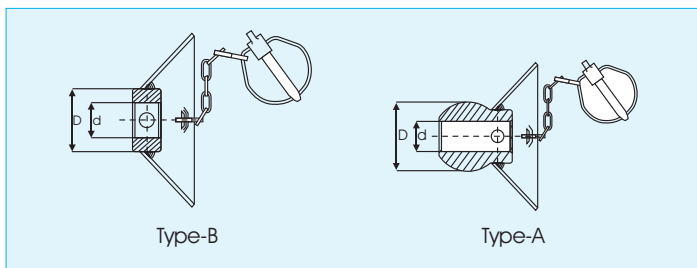
# REPLACEMENT BALLS



| Lower Link Swivel Balls |     |              |              |              |
|-------------------------|-----|--------------|--------------|--------------|
| Part No.                | Cat | A<br>Inch/mm | B<br>Inch/mm | C<br>Inch/mm |
| AA1478                  | 1   | 2-1/4"       | 7/8"         | 1-3/8"       |
| AA1479                  | 2   | 2-1/4"       | 1-1/8"       | 1-3/4"       |



| Lower Link Dual Category Swivel Balls |       |        |               |        |
|---------------------------------------|-------|--------|---------------|--------|
| Part No.                              | Cat   | O.D.   | ID            | Length |
| AA1480                                | 1 & 2 | 2-1/4" | 7/8" & 1-1/8" | 1-3/4" |



| Lower Automatic Hitch Balls Complete |    |      |      |
|--------------------------------------|----|------|------|
| Part No.                             | D  | d    | Type |
| AA1481                               | 56 | 22   | A    |
| AA1482                               | 56 | 28.4 | A    |
| AA1483                               | 56 | 38   | A    |
| AA1484                               | 64 | 28.4 | A    |
| AA1485                               | 64 | 37   | A    |
| AA1486                               | 47 | 28.4 | B    |

# ENGINEERING COMPONENTS

**D Shape Rings**  
 Forged from special steel available in different sizes 1/2" to 1"  
 Part NO. AA860

**Lashing Ring Clip**  
 Part NO. AA860a

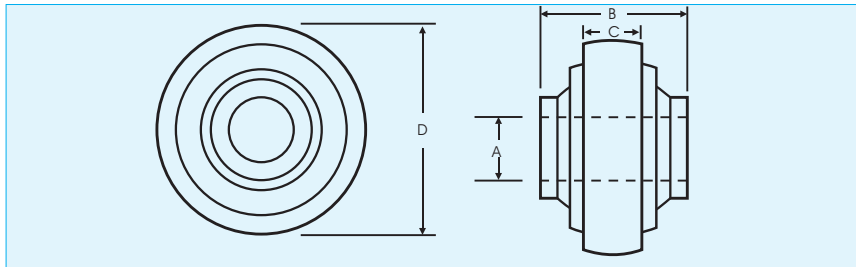
**Steel Pan With Forged Ring**  
 Part NO. AA860b

# DOUBLE END BALL SOCKET

| Part No. | Cat | Pin Hole | Center  |
|----------|-----|----------|---------|
| AA197    | 1   | 7/8"     | 4-7/16" |

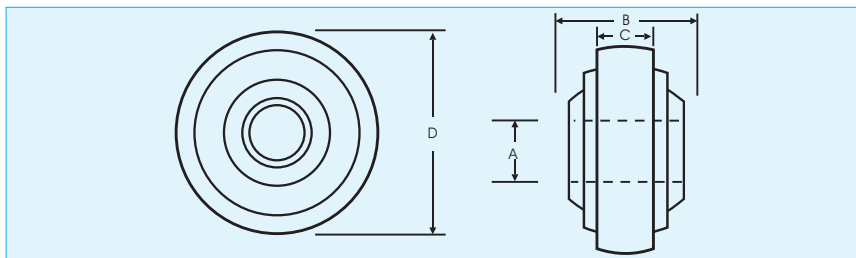


# TOP LINK BALL SOCKETS



| Part No.<br>Unplated/Plated | Cat   | Description | A<br>Inch/mm | B<br>Inch/mm    | C<br>Inch/mm | D<br>Inch/mm |
|-----------------------------|-------|-------------|--------------|-----------------|--------------|--------------|
| AA178 AA178Z                | 0     | Standard    | 5/8"         | 1"              | 3/4"         | 2"           |
| AA179 AA179Z                | 1     | Standard    | 3/4"         | 1-5/8"          | 3/4"         | 2"           |
| AA180 AA180Z                | 1     | Heavy       | 3/4"         | 1-5/8"          | 7/8"         | 2-1/8"       |
| AA181 AA181Z                | 1     | Extra Heavy | 3/4"         | 1-3/8"          | 7/8"         | 2-3/8"       |
| AA182 AA182Z                | 1 & 2 | Standard    | 3/4" & 1"    | 1-1/2" & 1-1/4" | 7/8"         | 2-3/8"       |
| AA183 AA183Z                | 2     | Standard    | 1"           | 1-3/4"          | 7/8"         | 2-3/8"       |
| AA184 AA184Z                | 2     | Standard    | 1"           | 1-1/4"          | 7/8"         | 2-3/8"       |
| AA185 AA185Z                | 2     | Heavy Duty  | 1"           | 1-3/4"          | 1-3/16"      | 2-3/4"       |
| AA186 AA186Z                | 2     | Standard    | 1"           | 1-3/32"         | 7/8"         | 2-3/8"       |
| AA187 AA187Z                | 3     | Standard    | 1-1/4"       | 1-3/4"          | 1-9/32"      | 3-1/8"       |

# LIFT ARM BALL SOCKETS

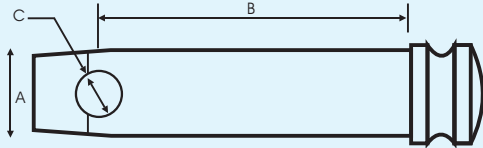


| Part No.<br>Unplated | Plated | Cat   | Description | A<br>Inch/mm  | B<br>Inch/mm | C<br>Inch/mm | D<br>Inch/mm |
|----------------------|--------|-------|-------------|---------------|--------------|--------------|--------------|
| AA188                | AA188Z | 0     | Standard    | 5/8"          | 1"           | 3/4"         | 2"           |
| AA189                | AA189Z | 1     | Standard    | 7/8"          | 1-3/8"       | 7/8"         | 2-3/8"       |
| AA190                | AA190Z | 1     | Extra Heavy | 7/8"          | 1-3/8"       | 7/8"         | 2-3/4"       |
| AA191                | AA191Z | 1 & 2 | Heavy       | 7/8" & 1-1/8" | 1-3/4" both  | 1-3/16"      | 2-3/4"       |
| AA192                | AA192Z | 1 & 2 | Extra Heavy | 7/8" & 1-1/8" | 1-3/4" both  | 1-3/8"       | 3-1/8"       |
| AA193                | AA193Z | 2     | Standard    | 1-1/8"        | 1-5/16"      | 1-7/8"       | 2-3/8"       |
| AA194                | AA194Z | 2     | Heavy       | 1-1/8"        | 1-3/4"       | 1-1/4"       | 2-3/4"       |
| AA195                | AA195Z | 2     | Extra Heavy | 1-1/8"        | 1-3/4"       | 1-3/8"       | 3-1/8"       |
| AA196                | AA196Z | 3     | Standard    | 1-7/16"       | 1-3/4"       | 1-11/32"     | 3-1/2"       |

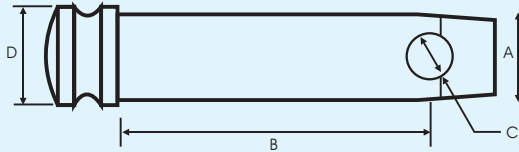
# TOP LINK PINS



Machined from carbon steel, Zinc Plated.



| Part No. | Cat | (A) Dia<br>Inch/mm | (B) Usable<br>Inch/mm | (C) Hole<br>Inch/mm |
|----------|-----|--------------------|-----------------------|---------------------|
| AA275    | 0   | 5/8"               | 2-3/4"                | 15/32               |
| AA276    | 1   | 3/4"               | 2-3/4"                | 15/32               |
| AA277    | 1   | 3/4"               | 3-7/8"                | 15/32               |
| AA278    | 1   | 3/4"               | 4-3/4"                | 15/32               |
| AA279    | 2   | 1"                 | 3-1/4"                | 15/32               |
| AA280    | 2   | 1"                 | 3-9/16"               | 15/32               |
| AA281    | 2   | 1"                 | 4-5/16"               | 15/32               |
| AA282    | 2   | 1"                 | 4-9/16"               | 15/32               |
| AA283    | 2   | 1"                 | 5-5/16"               | 15/32               |
| AA284    | 3   | 1-1/4"             | 4-7/16"               | 15/32               |

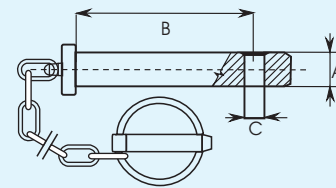


## Top Link Pins (mm size)

| Part No. | Cat | A<br>mm | B<br>mm | C<br>mm | D<br>mm |
|----------|-----|---------|---------|---------|---------|
| AA1501   | 1   | 19      | 76      | 12      | 22      |
| AA1502   | 1   | 19      | 92      | 12      | 22      |
| AA1503   | 1   | 19      | 102     | 12      | 22      |
| AA1504   | 2   | 25      | 78      | 12      | 28      |
| AA1505   | 2   | 25      | 110     | 12      | 28      |
| AA1506   | 2   | 25      | 142     | 12      | 28      |
| AA1507   | 3   | 32      | 125     | 12      | 38      |
| AA1508   | 1   | 19      | 85      | 12      | 24      |
| AA1509   | 2   | 25.4    | 95      | 12      | 30      |
| AA1510   | 3   | 32      | 105     | 12      | 38      |

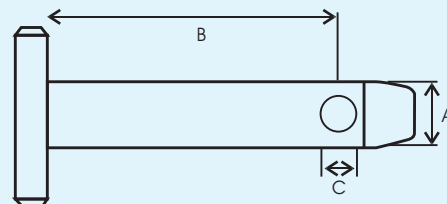
## Top Link Pin With Chain & Linch Pin

| Part No. | Cat | A  | B   | C  |
|----------|-----|----|-----|----|
| AA1511   | 1   | 19 | 100 | 11 |
| AA1512   | 2   | 25 | 100 | 11 |

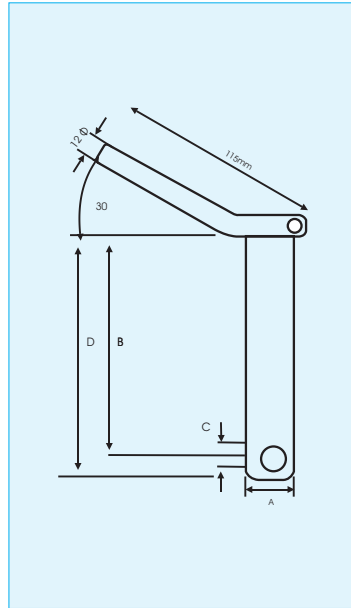
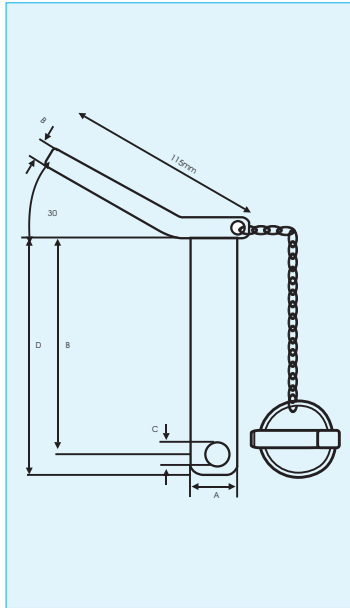


## Top Link Pins (Welded)

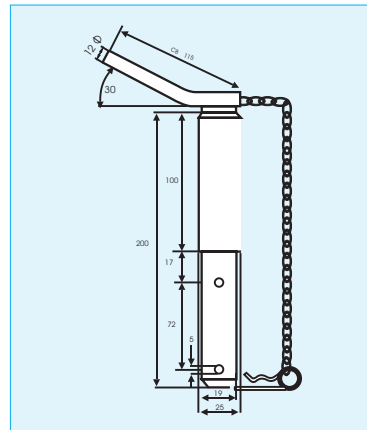
| Part No. | Cat | A<br>mm | B<br>mm | C<br>mm |
|----------|-----|---------|---------|---------|
| AA1513   | 1   | 19      | 89      | 11      |
| AA1514   | 1   | 19      | 116     | 11      |
| AA1515   | 2   | 25      | 118     | 11      |



# TOP LINK PINS



| Top Link Pin Welded Handle (mm size) |         |     |    |     |    |     |
|--------------------------------------|---------|-----|----|-----|----|-----|
| Part No.                             |         | Cat | A  | B   | C  | D   |
| AA1516                               | AA1516a | 1   | 19 | 135 | 12 | 151 |
| AA1517                               | AA1517a | 1   | 19 | 175 | 12 | 191 |
| AA1518                               | AA1518a | 1   | 22 | 135 | 12 | 151 |
| AA1519                               | AA1519a | 1   | 22 | 175 | 12 | 191 |
| AA1520                               | AA1520a | 2   | 25 | 135 | 12 | 151 |
| AA1521                               | AA1521a | 2   | 25 | 175 | 12 | 191 |
| AA1522                               | AA1522a | 2   | 28 | 135 | 12 | 151 |
| AA1523                               | AA1523a | 2   | 28 | 175 | 12 | 191 |
| AA1524                               | AA1524a | 3   | 32 | 135 | 12 | 151 |
| AA1525                               | AA1525a | 3   | 32 | 175 | 12 | 191 |
| AA1526                               | AA1526a | 3   | 37 | 135 | 12 | 151 |
| AA1527                               | AA1527a | 3   | 37 | 175 | 12 | 191 |

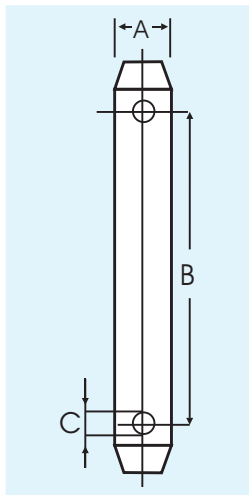


| Universal Top Link Pins |       |
|-------------------------|-------|
| Part No.                | Cat   |
| AA1528                  | 1 - 2 |
| AA1529                  | 1 - 2 |

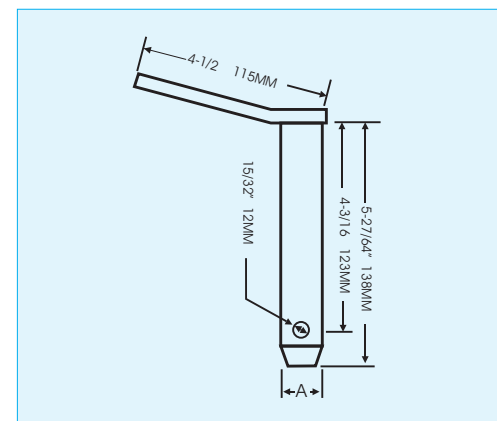
| Welded Handle Pins (in Inches) |     |      |         |        |
|--------------------------------|-----|------|---------|--------|
| Part No.                       | Cat | A    | B       | C      |
| AA1530                         | TL  | 3/4" | 4-3/16" | 15/32" |
| AA1531                         | LL  | 7/8" | 4-3/16" | 15/32" |
| AA1532                         | TL  | 1"   | 4-3/16" | 15/32" |
| AA1533                         | LL  | 1"   | 4-3/16" | 15/32" |

(TL : Top Link Pin)

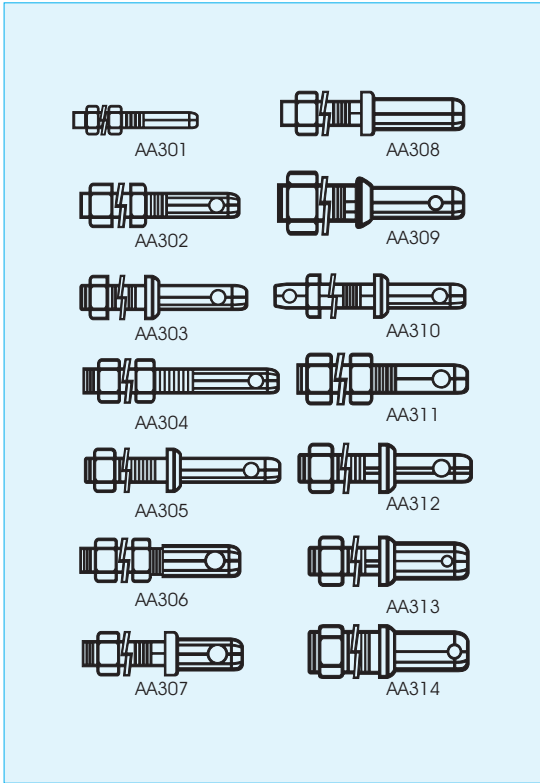
(LL : Lower Link Pin)



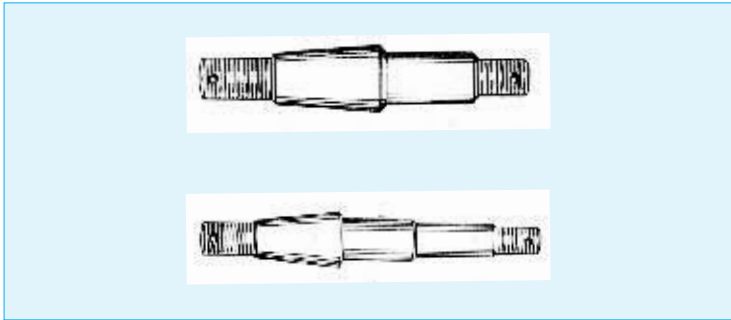
| Head Less Top Link Pins |     |            |               |             |
|-------------------------|-----|------------|---------------|-------------|
| Part No.                | Cat | (A) Dia mm | (B) Usable mm | (C) Hole mm |
| AA1535                  | 1   | 19         | 96            | 12          |
| AA1536                  | 1   | 19         | 126           | 12          |
| AA1537                  | 1   | 19         | 163           | 12          |
| AA1538                  | 1   | 19         | 210           | 12          |
| AA1539                  | 2   | 25         | 100           | 12          |
| AA1540                  | 2   | 25         | 120           | 12          |
| AA1541                  | 2   | 25         | 166           | 12          |
| AA1542                  | 2   | 25         | 210           | 12          |
| AA1543                  | 2   | 25         | 250           | 12          |



# LOWER LINK PINS

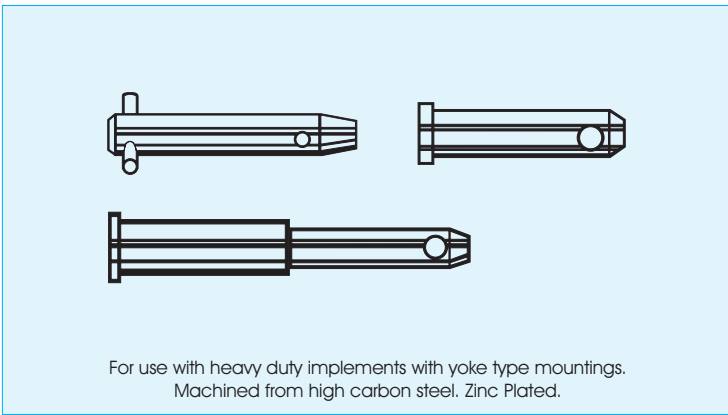


| High Stress & Hot Forged Lift Arm Mounting Pins |        |          |               |            |                |
|---|--------|----------|---------------|------------|----------------|
| Part No.  | Cat    | Type     | Pin Dia       | Thread Dia | Overall Length |
| AA301   | 0      | Adj.     | 5/8"          | 5/8"       | 4"             |
| AA302   | 1      | Adj.     | 7/8"          | 7/8"       | 5-5/16"        |
| AA303   | 1      | Forged   | 7/8"          | 7/8"       | 5-1/2"         |
| AA304   | 1      | Adj.XL   | 7/8"          | 7/8"       | 6-1/4"         |
| AA305   | 1      | ForgedXL | 7/8"          | 7/8"       | 6-1/2"         |
| AA306   | 1 to 2 | Adj.     | 1-1/8"        | 7/8"       | 5-3/16"        |
| AA307   | 1 to 2 | Forged   | 1-1/8"        | 7/8"       | 5-1/4"         |
| AA308   | 1 to 2 | ForgedXL | 1-1/8"        | 7/8"       | 6-5/16"        |
| AA309   | 2 to 1 | Forged   | 7/8"          | 1-1/8"     | 5-3/4"         |
| AA310   | 1 & 2  | Forged   | 7/8" & 1-1/8" | 1"         | 8"             |
| AA311   | 2      | Adj.     | 1-1/8"        | 1-1/8"     | 6-1/4"         |
| AA312   | 2      | Forged   | 1-1/8"        | 1-1/8"     | 6-1/4"         |
| AA313   | 2 to 3 | Forged   | 1-7/16"       | 1-1/8"     | 5-7/8"         |
| AA314   | 3      | Forged   | 1-7/16"       | 1-3/8"     | 5-7/8"         |



| Lower Link Mounting Pins |      |      |
|--------------------------|------|------|
| Part No.                 | Type |      |
| AA325                    | LH   | FORD |
| AA326                    | RH   | FORD |

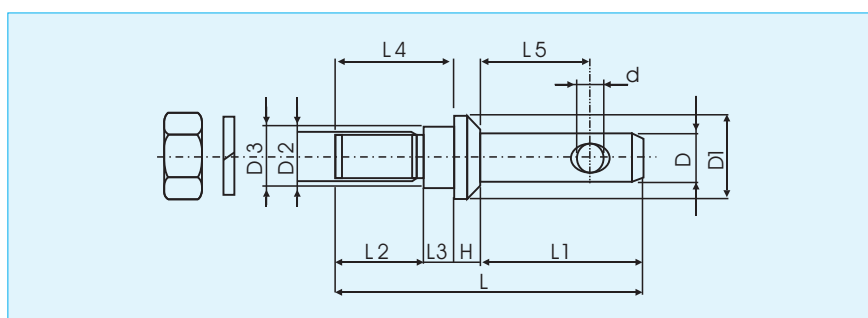
| Clevis Type Lift Arm Mounting Pins |       |                  |            |
|------------------------------------|-------|------------------|------------|
| Part No.                           | Cat   | Dia              | Usable     |
| AA350                              | 2     | 1-1/8"           | 3-5/16"    |
| AA351                              | 2     | 1-1/8"           | 4-7/16"    |
| AA352                              | 2     | 1-1/8"           | 7-5/8"     |
| AA353                              | 3     | 1-7/16"          | 4-11/16"   |
| AA354                              | 2 & 3 | 1-1/8" & 1-7/16" | 4 x 4-1/2" |



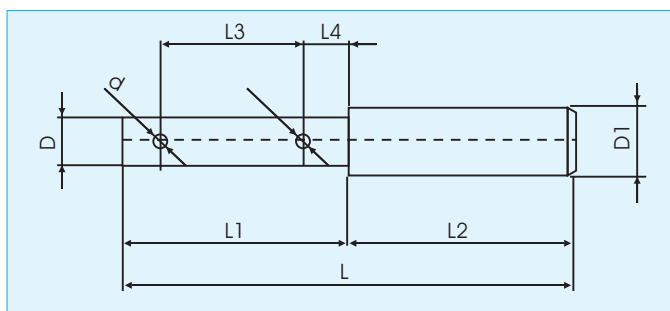
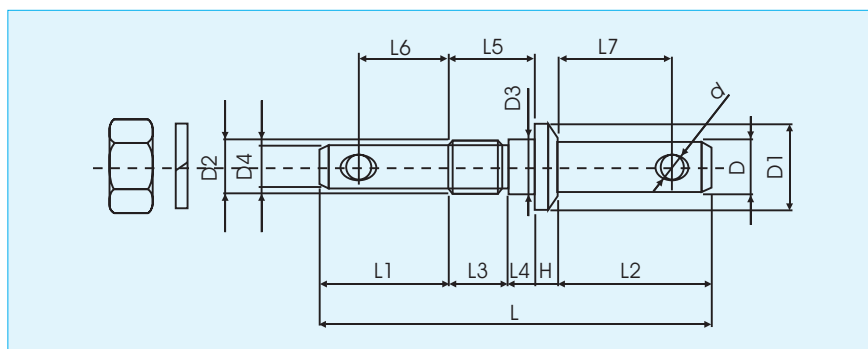
# LOWER LINK PINS



| Implement Mounting Pins - MM Size |      |      |       |       |       |      |       |        |       |       |       |      |
|-----------------------------------|------|------|-------|-------|-------|------|-------|--------|-------|-------|-------|------|
| Part No.                          | D mm | L mm | L1 mm | L2 mm | L3 mm | H mm | D1 mm | D2 mm  | D3 mm | L4 mm | L5 mm | d mm |
| AA1600                            | 22   | 140  | 74    | 40    | 14    | 12   | 38    | 22x1.5 | 28    | 54    | 50    | 12   |
| AA1601                            | 28   | 150  | 78    | 40    | 20    | 12   | 44    | 22x1.5 | 28    | 60    | 60    | 120  |
| AA1602                            | 22   | 140  | 74    | 40    | 14    | 12   | 38    | 22x1.5 | 22    | 54    | 50    | 12   |
| AA1603                            | 22   | 140  | 74    | 40    | 14    | 12   | 38    | 20x1.5 | 20    | 54    | 50    | 12   |
| AA1604                            | 28   | 150  | 78    | 46    | 14    | 12   | 44    | 22x1.5 | 22    | 60    | 60    | 12   |

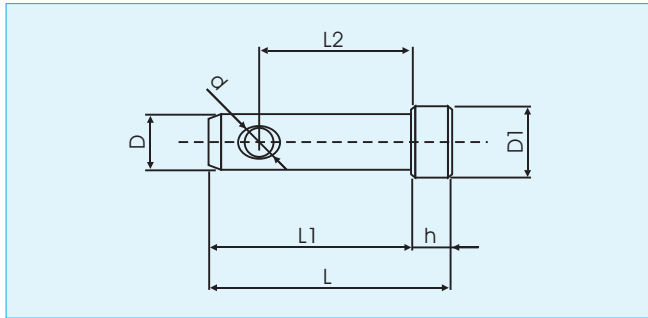


| Double Implement Mounting Pins - MM Size |      |      |       |       |       |       |       |      |       |       |       |       |       |       |      |
|--|------|------|-------|-------|-------|-------|-------|------|-------|-------|-------|-------|-------|-------|------|
| Part No.                                 | D mm | L mm | L1 mm | L2 mm | L3 mm | L4 mm | D1 mm | H mm | D2 mm | D3 mm | D4 mm | L5 mm | L6 mm | L7 mm | d mm |
| AA1605                                   | 28   | 200  | 68    | 78    | 28    | 14    | 44    | 12   | 27x3  | 28    | 22    | 42    | 48    | 58    | 12   |
| AA1606                                   | 28   | 200  | 68    | 78    | 28    | 14    | 44    | 12   | 24x2  | 25    | 22    | 42    | 48    | 58    | 12   |



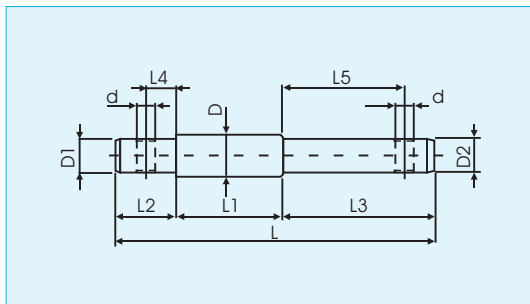
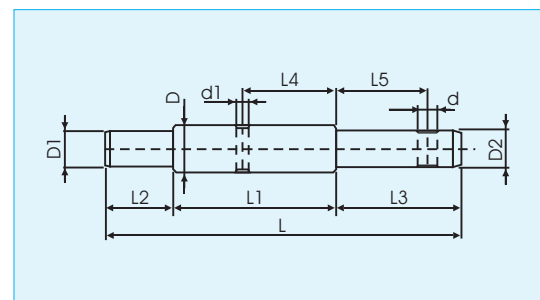
| Implement Pins |      |       |      |       |       |       |       |      |
|----------------|------|-------|------|-------|-------|-------|-------|------|
| Part No.       | D mm | D1 mm | L mm | L1 mm | L2 mm | L3 mm | L4 mm | d mm |
| AA1607         | 19   | 25    | 180  | 90    | 90    | 57    | 18    | 5    |
| AA1608         | 22   | 28    | 180  | 90    | 90    | 57    | 18    | 5    |

# LOWER LINK PINS



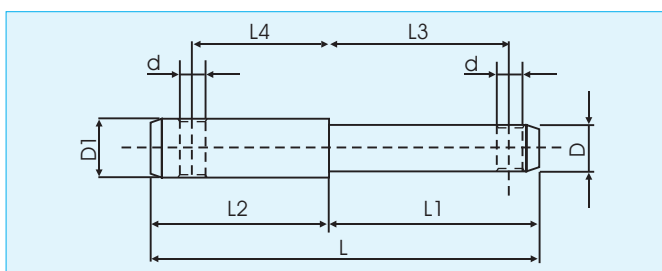
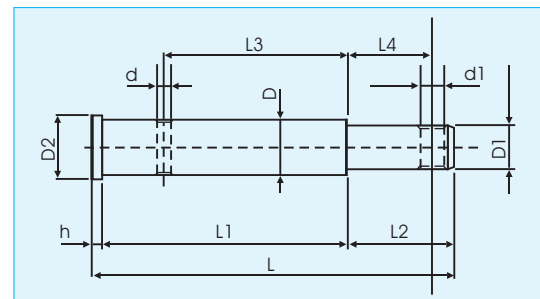
| Weld On Link Pins |      |       |      |       |       |      |      |
|-------------------|------|-------|------|-------|-------|------|------|
| Part No.          | D mm | D1 mm | L mm | L1 mm | L2 mm | h mm | d mm |
| AA1609            | 22   | 28    | 95   | 80    | 60    | 15   | 11.5 |
| AA1610            | 28   | 34    | 95   | 80    | 60    | 15   | 11.5 |

| Interchangeable Implement Mounting Pins |      |       |       |      |       |       |       |       |       |      |       |
|---|------|-------|-------|------|-------|-------|-------|-------|-------|------|-------|
| Part No.                                | D mm | D1 mm | D2 mm | L mm | L1 mm | L2 mm | L3 mm | L4 mm | L5 mm | d mm | d1 mm |
| AA1611                                  | 28   | 22    | 22    | 200  | 115   | 30    | 55    | 67    | 40    | 12   | 6.5   |
| AA1612                                  | 28   | 22    | 25    | 200  | 115   | 30    | 55    | 67    | 40    | 12   | 6.5   |



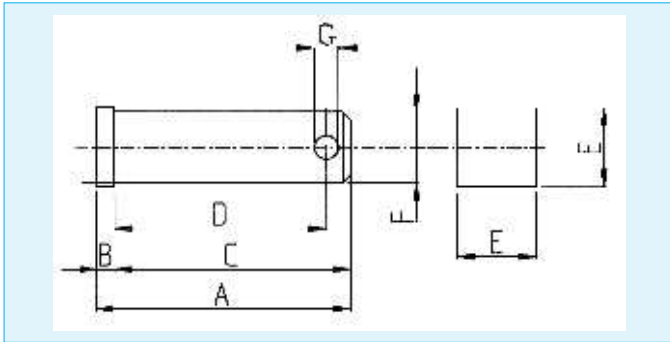
| Interchangeable Implement Mounting Pins |      |       |       |      |       |       |       |       |       |      |
|---|------|-------|-------|------|-------|-------|-------|-------|-------|------|
| Part No.                                | D mm | D1 mm | D2 mm | L mm | L1 mm | L2 mm | L3 mm | L4 mm | L5 mm | d mm |
| AA1613                                  | 28   | 22    | 22    | 210  | 70    | 40    | 100   | 20    | 80    | 12   |
| AA1614                                  | 25   | 19    | 19    | 210  | 70    | 40    | 100   | 20    | 80    | 12   |

| Implement Mounting Pin For Fiat Tractors |      |       |       |       |       |       |       |       |      |      |       |
|--|------|-------|-------|-------|-------|-------|-------|-------|------|------|-------|
| Part No.                                 | D mm | D1 mm | D2 mm | L mm  | L1 mm | L2 mm | L3 mm | L4 mm | h mm | d mm | d1 mm |
| AA1615                                   | 28   | 22    | 32    | 182.5 | 122   | 56.5  | 93.5  | 38.5  | 4    | 6.5  | 12    |
| AA1616                                   | 28   | 22    | 32    | 172.5 | 112   | 56.5  | 83.5  | 38.5  | 4    | 6.5  | 12    |

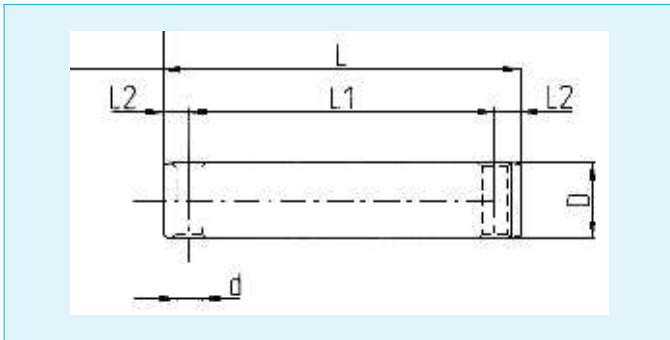


| Weld on Implement Mounting Pins |      |       |      |       |       |       |       |      |
|---------------------------------|------|-------|------|-------|-------|-------|-------|------|
| Part No.                        | D mm | D1 mm | L mm | L1 mm | L2 mm | L3 mm | L4 mm | d mm |
| AA1617                          | 22   | 28    | 190  | 105   | 85    | 85    | 62    | 12   |

# LOWER LINK PINS

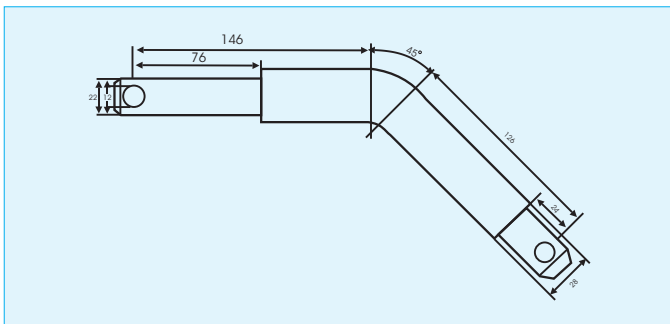
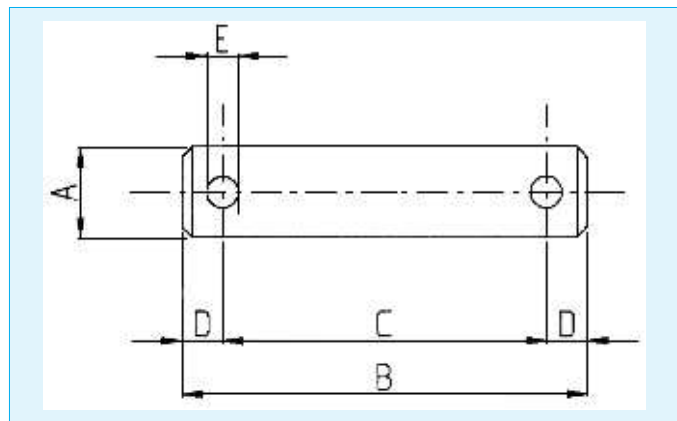


| Square Head Pins For Fiat Tractors |      |      |      |      |      |      |      |
|------------------------------------|------|------|------|------|------|------|------|
| Part No.                           | A mm | B mm | C mm | D mm | E mm | F mm | G mm |
| AA1620                             | 52   | 5    | 47   | 41   | 20   | 18   | 6    |
| AA1621                             | 65   | 5    | 60   | 54   | 20   | 18   | 6    |
| AA1622                             | 65   | 5    | 60   | 52   | 30   | 26   | 6    |
| AA1623                             | 75   | 5    | 70   | 60   | 30   | 26   | 6    |
| AA1624                             | 100  | 5    | 95   | 86   | 30   | 26   | 6    |



| Linkage Pins |      |      |       |       |      |
|--------------|------|------|-------|-------|------|
| Part No.     | D mm | L mm | L1 mm | L2 mm | d mm |
| AA1625       | 18   | 64   | 52    | 6     | 6    |
| AA1626       | 18   | 74   | 62    | 6     | 6    |
| AA1627       | 18   | 84   | 72    | 6     | 6    |
| AA1628       | 18   | 94   | 82    | 6     | 6    |

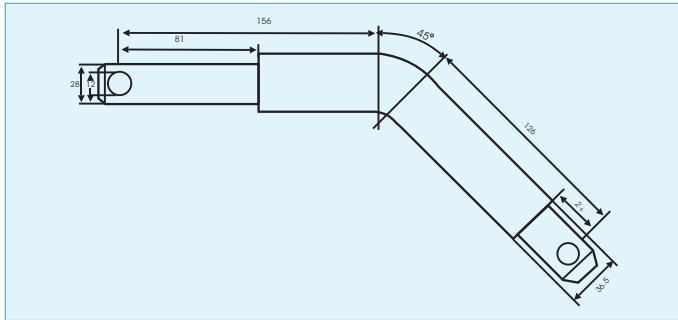
| Pins For Jokes |      |      |      |      |      |
|----------------|------|------|------|------|------|
| Part No.       | A mm | B mm | C mm | D mm | E mm |
| AA1629         | 20   | 71   | 58   | 6    | 6    |
| AA1630         | 20   | 81   | 68   | 6    | 6    |
| AA1631         | 22   | 64   | 52   | 6    | 6    |
| AA1632         | 24   | 90   | 77   | 6    | 6    |
| AA1633         | 24   | 104  | 91   | 6    | 6    |
| AA1634         | 26   | 66   | 57   | 6    | 6    |
| AA1635         | 28   | 104  | 91   | 6    | 6    |



| Lower Link Pins |        |
|-----------------|--------|
| Part No.        | AA1635 |

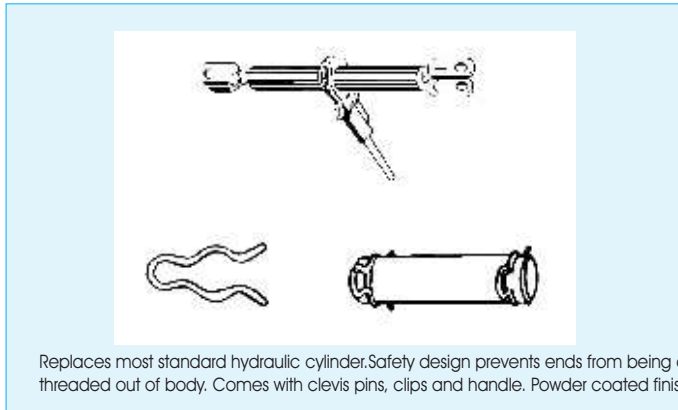


# LOWER LINK PINS



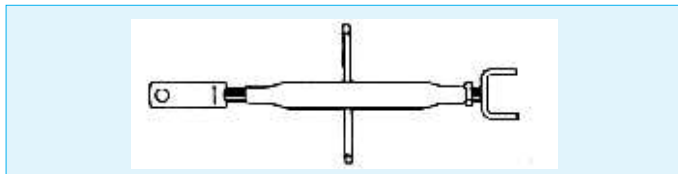
| Lower Link Pins |        |
|-----------------|--------|
| Part No.        | AA1636 |

# RATCHET JACK



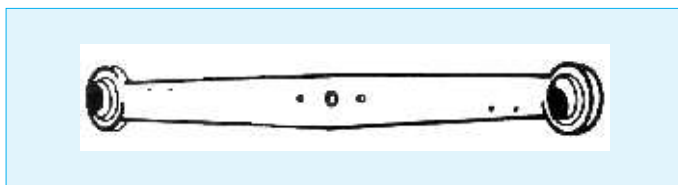
| Ratchet Jacks & Pins |             |            |                |            |
|----------------------|-------------|------------|----------------|------------|
| Part No.             | Description | Thread Dia | Clevis Pin Dia | Adjustment |
| AA425                | Jack        | 1-1/4"     | 1"             | 20"-28"    |
| Part No.             | Description | Pin Dia    | Usable         | Overall    |
| AA426                | Pin Kit     | 1"         | 2-3/4"         | 3-1/2"     |
| AA427                | Clip        | 1/8"       | -              | 2-1/2"     |

# LEVELLING ASSEMBLY



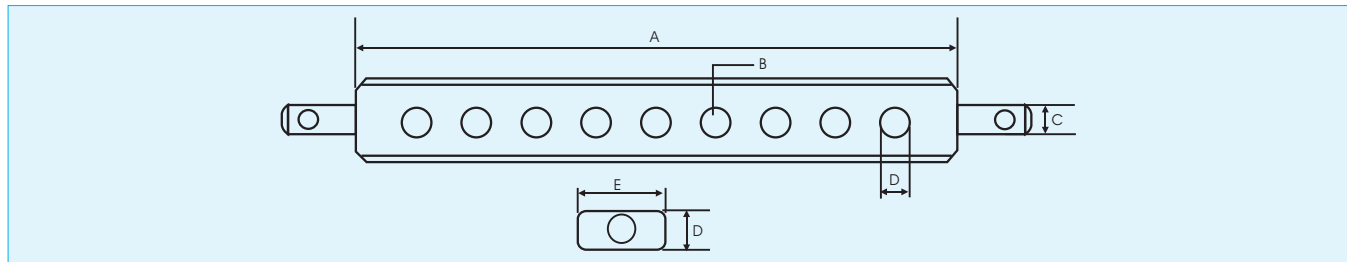
| Part No. | Thread Dia | Overall Length | Replaces    |
|----------|------------|----------------|-------------|
| AA430    | 7/8"       | 19-1/4"        | FORDNCA577A |

# LIFT ARM



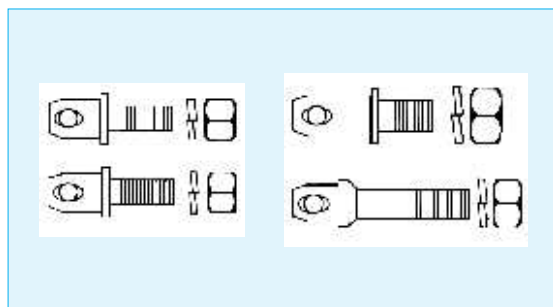
| Part No. | Pin Holes | Length Holes Centre | Fits  |
|----------|-----------|---------------------|---|
| AA435    | 7/8"      | 32"                 | Ferguson All, MF 35, 50, Ford 2N, 8N, 9N, NAA John Deere 1010 |

# DRAW BARS



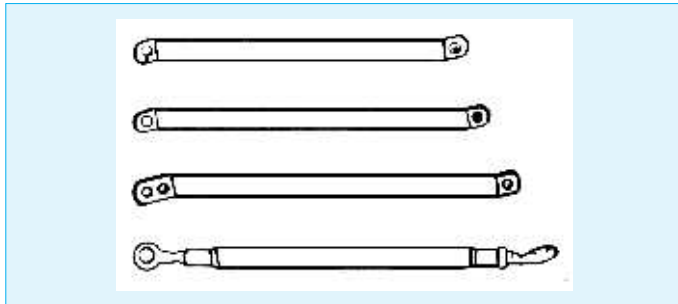
| Part No. | Cat | No. of Holes | A<br>Inch/mm | B<br>Inch/mm | C<br>Inch/mm | D<br>Inch/mm | E<br>Inch/mm | Colour |
|----------|-----|--------------|--------------|--------------|--------------|--------------|--------------|--------|
| AA400    | 0   | 7            | 20"          | 5/8"         | 5/8"         | 5/8"         | 2"           | Red    |
| AA401    | 0   | 7            | 20"          | 3/4"         | 7/8"         | 1"           | 2-1/2"       | Black  |
| AA402    | 1   | 11           | 26"          | 3/4"         | 7/8"         | 1"           | 2-1/2"       | Red    |
| AA403    | 2   | 11           | 26"          | 3/4"         | 1-1/8"       | 1-1/4"       | 3"           | Blue   |
| AA404    | 2   | 13           | 32"          | 3/4"         | 1-1/8"       | 1-1/4"       | 3"           | Green  |
| AA405    | 2   | 7            | 32"          | 1-1/8"       | 1-1/8"       | 1-1/4"       | 3"           | Red    |
| AA406    | 3   | 5            | 38"          | 1-1/4"       | 1-7/16"      | 1-3/4"       | 3-1/2"       | Black  |
| AA407    | 1   | 11           | 26           | 25/32        | 7/8"         | 1-3/16"      | 2-1/2"       | Red    |
| AA408    | 2   | 11           | 26           | 25/32        | 1-1/8"       | 1-3/16"      | 2-1/2"       | Red    |
| AA1705   | 1   | 9            | 657          | 20           | 22           | 30           | 60           | Red    |
| AA1706   | 2   | 9            | 661          | 20           | 28.5         | 30           | 60           | Red    |
| AA1707   | 2   | 7            | 842          | 25           | 28.5         | 30           | 60           | Red    |
| AA1708   | 2   | 7            | 842          | 28           | 28.5         | 30           | 60           | Red    |
| AA1709   | 2   | 9            | 862          | 33           | 28.5         | 30           | 80           | Red    |
| AA1710   | 3   | 11           | 965          | 33           | 36           | 45           | 90           | Red    |
| AA1711   | 2   | 9            | 820          | 33           | 28.5         | 30           | 80           | Red    |
| AA1712   | 1   | 7            | 680          | 22           | 22           | 25           | 63           | Red    |
| AA1713   | 2   | 7            | 780          | 28           | 28           | 33           | 75           | Red    |

# STABILIZER ASSEMBLIES

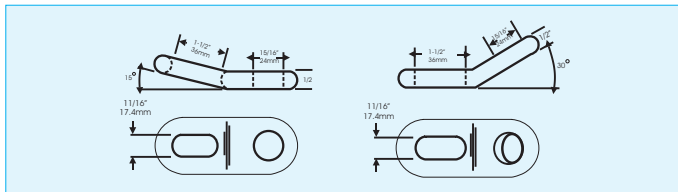


| Stabilizer Pins |         |            |         |                           |
|-----------------|---------|------------|---------|---------------------------|
| Part No.        | Pin Dia | Thread Dia | Overall | Reference                 |
| AA450           | 7/8"    | 5/8"       | 2-5/8"  | Ford 230044, MF 181777 MI |
| AA451           | 7/8"    | 5/8"       | 2-7/8"  | Same & Longer Usable      |
| AA452           | 7/8"    | 5/8"       | 3-1/8"  | Ford 141185, MF 668154 MI |
| AA453           | 7/8"    | 3/4"       | 3"      | MF 186802 MI              |

# STABILIZER ASSEMBLIES

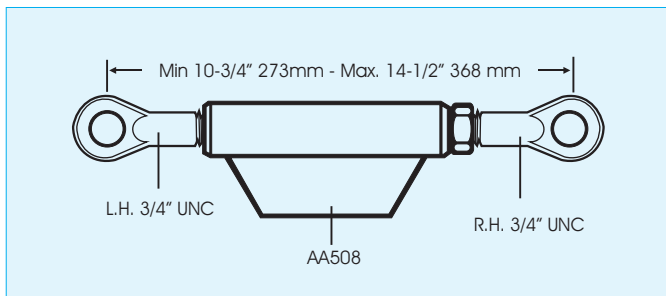


| Stabilizer Arms & Kits |     |             |           |                   |
|------------------------|-----|-------------|-----------|-------------------|
| Part No.               | Cat | Size        | Pin Holes | Centre Distance   |
| AA475                  | 1   | 3/8"x1-3/4" | 7/8"      | 31-9/16"          |
| AA476                  | 1   | 3/8"x1-3/4" | 7/8"      | 33-1/8"           |
| AA477                  | 1   | 3/8"x1-3/4" | 7/8"      | 31-1/8" & 34-3/4" |
| AA478                  | 1   | 7/8" Thread | 7/8"      | 27-1/2" - 35"     |

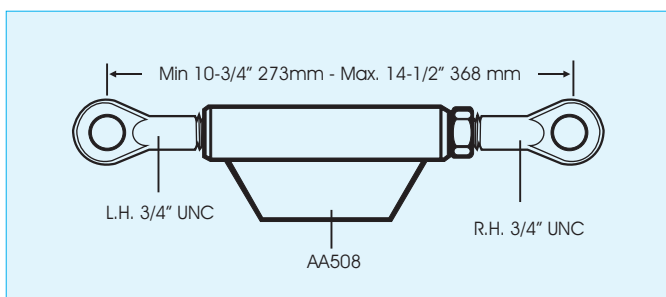


| Link Plates |       |
|-------------|-------|
| Part No.    | AA500 |
| Part No.    | AA501 |
| Part No.    | AA502 |

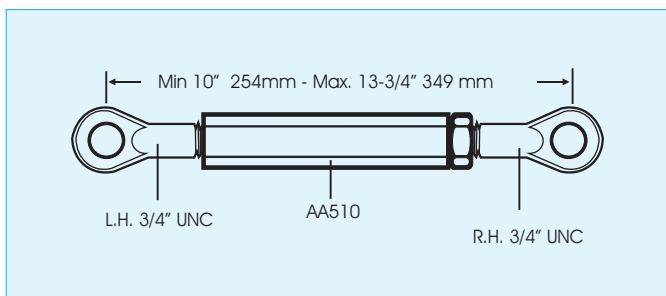
| TURN BUCKLE ASSEMBLY |       |
|----------------------|-------|
| Part No.             | AA505 |



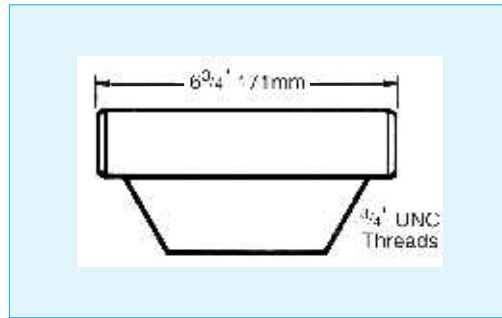
| TURN BUCKLE ASSEMBLY |       |
|----------------------|-------|
| Part No.             | AA506 |



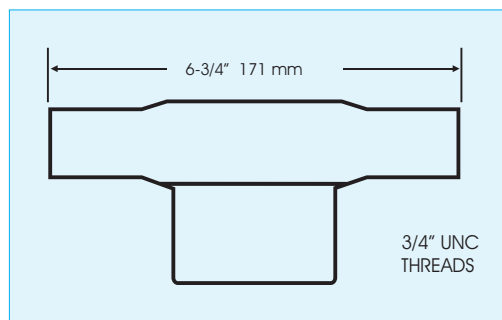
| TURN BUCKLE ASSEMBLY |       |
|----------------------|-------|
| Part No.             | AA507 |



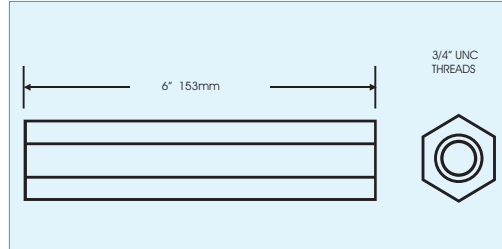
# STABILIZER ASSEMBLIES



| Turn Buckle       |  |
|-------------------|--|
| Part No.<br>AA508 | Finish : Bright Zinc Plated<br>and Gold Passivated |



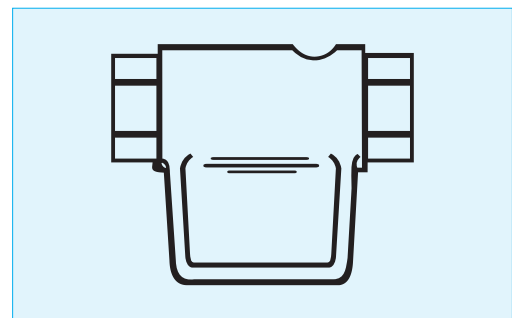
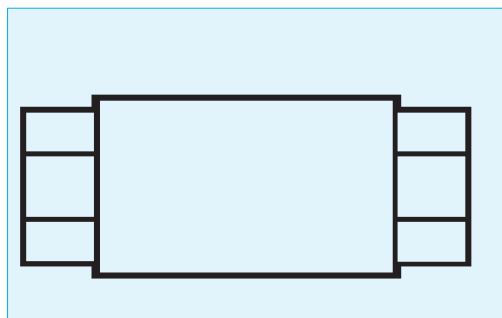
| Turn Buckle       |  |
|-------------------|--|
| Part No.<br>AA509 | Finish : Bright Zinc Plated<br>and Gold Passivated |



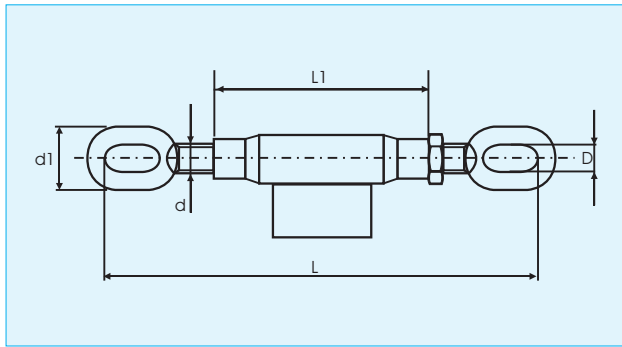
| Turn Buckle       |  |
|-------------------|--|
| Part No.<br>AA510 | Finish : Bright Zinc Plated<br>and Gold Passivated |

| Ford Turn Buckle   |                            |
|--------------------|----------------------------|
| Part No.<br>AA1801 | For assemblies 1832 & 1833 |

| Ford Turn Buckle   |                            |
|--------------------|----------------------------|
| Part No.<br>AA1802 | For assemblies 1830 & 1831 |

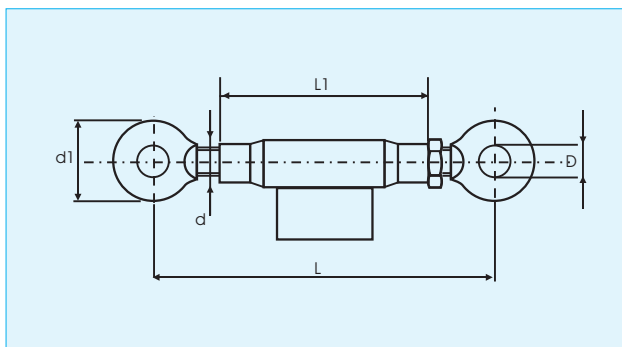


# STABILIZER ASSEMBLIES



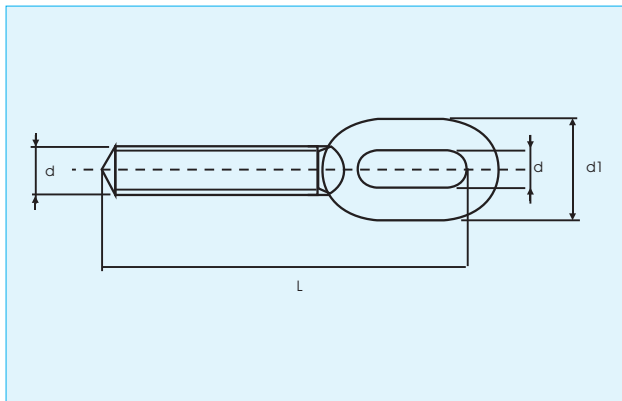
## Adjusters for Stabilizers - MM Size (Turn Buckle)

| Part No. | L mm | L1 mm | d mm   | d1 mm | D mm |
|----------|------|-------|--------|-------|------|
| AA1850   | 245  | 120   | 14x2   | 32    | 12   |
| AA1851   | 245  | 120   | 16x2   | 35    | 14   |
| AA1852   | 250  | 135   | 18x2.5 | 38    | 14   |
| AA1853   | 275  | 130   | 20x2.5 | 38    | 14   |
| AA1854   | 280  | 150   | 22x2.5 | 38    | 14   |



## Adjusters for Stabilizers - MM Size (Turn Buckle)

| Part No. | L mm | L1 mm | d mm   | d1 mm | D mm |
|----------|------|-------|--------|-------|------|
| AA1855   | 210  | 120   | 16x2   | 46    | 18   |
| AA1856   | 230  | 130   | 20x2.5 | 46    | 18   |
| AA1857   | 250  | 150   | 22x2.5 | 50    | 20   |

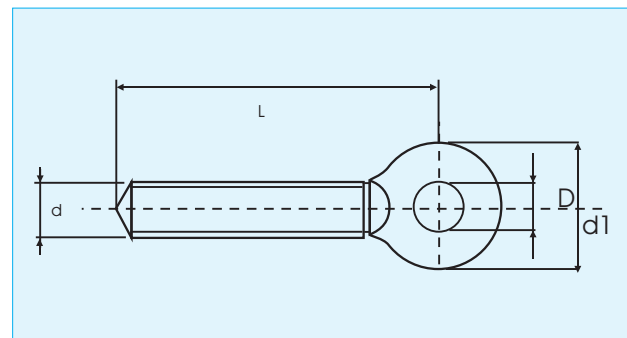


## Round And Eyelet Head Shaped For Huffs

| Part No. | Type | L mm | d mm   | d1 mm | D mm |
|----------|------|------|--------|-------|------|
| AA1860   | RH   | 121  | 14X2   | 32    | 12   |
| AA1861   | LH   |      |        |       |      |
| AA1862   | RH   | 121  | 16X2   | 35    | 14   |
| AA1863   | LH   |      |        |       |      |
| AA1864   | RH   | 136  | 18X2.5 | 38    | 14   |
| AA1865   | LH   |      |        |       |      |
| AA1866   | RH   | 136  | 20X2.5 | 38    | 14   |
| AA1867   | LH   |      |        |       |      |
| AA1868   | RH   | 139  | 22X2.5 | 38    | 14   |
| AA1869   | LH   |      |        |       |      |

## Round And Eyelet Head Shaped For Huffs

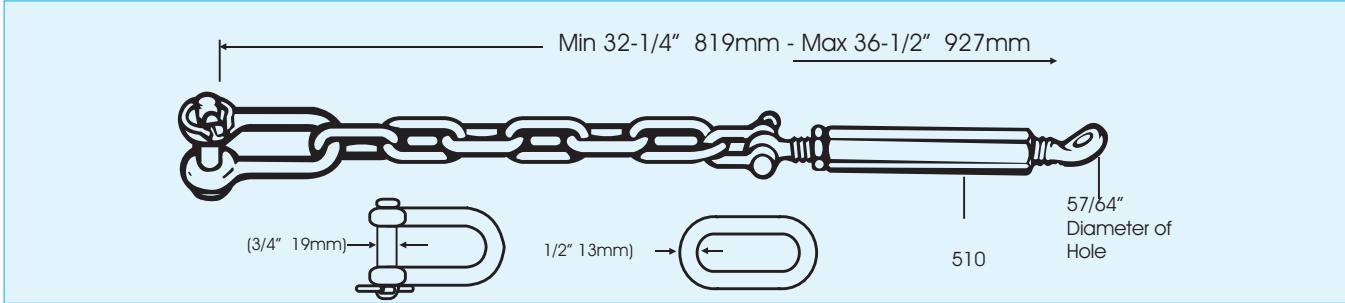
| Part No. | Type | L   | d      | d1 | D  |
|----------|------|-----|--------|----|----|
| AA1870   | RH   | 97  | 16X2   | 46 | 18 |
| AA1871   | LH   |     |        |    |    |
| AA1872   | RH   | 115 | 20X2.5 | 46 | 18 |
| AA1873   | LH   |     |        |    |    |
| AA1874   | RH   | 115 | 22X2.5 | 50 | 20 |
| AA1875   | LH   |     |        |    |    |



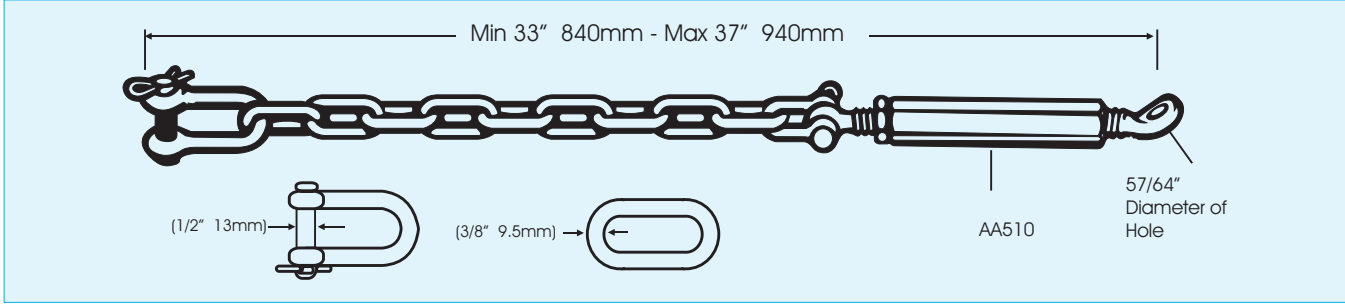
# STABILIZER ASSEMBLIES



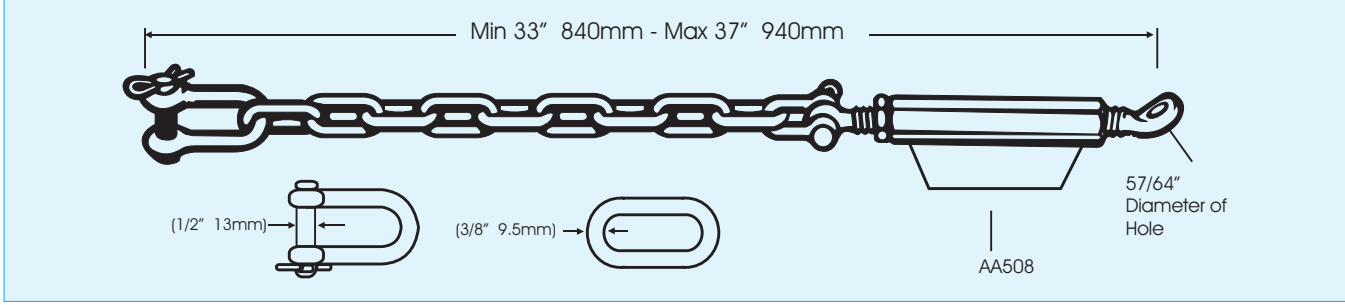
**Check Chain Stabilizer** Part No. AA511



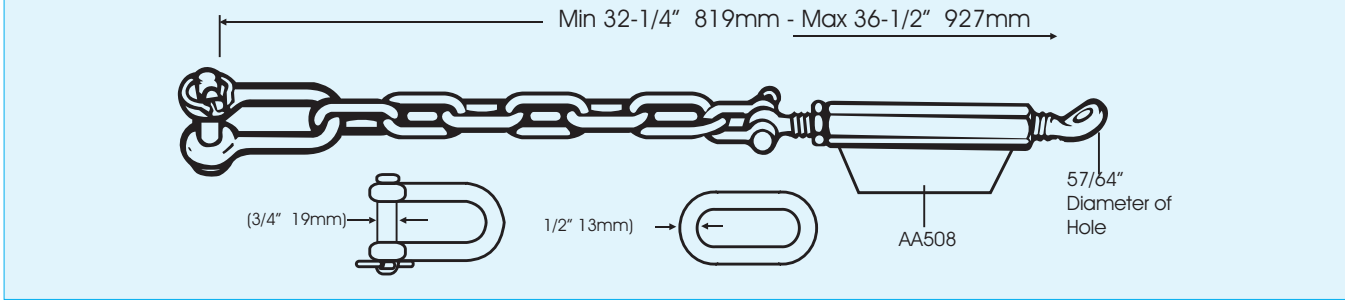
**Check Chain Stabilizer** Part No. AA1805



**Check Chain Stabilizer** Part No. AA1806



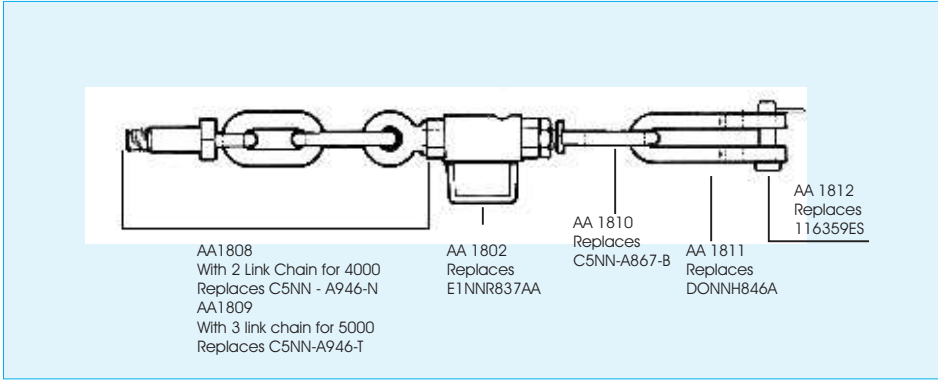
**Check Chain Stabilizer** Part No. AA1807



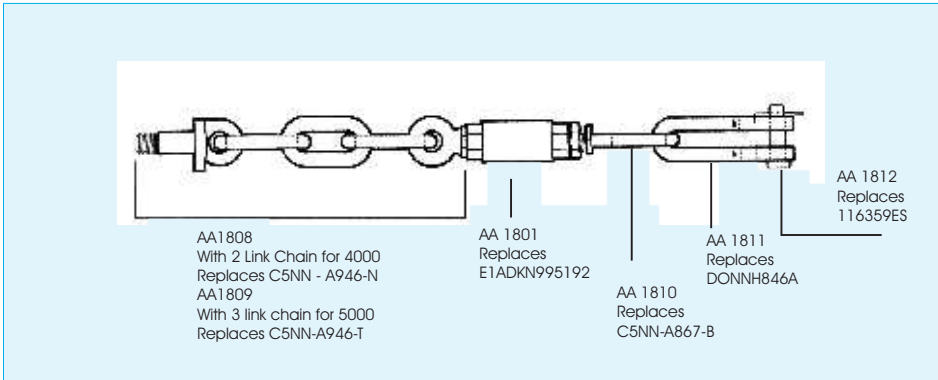
# STABILIZER ASSEMBLIES

## Check Chain Stabilizer Assemblies For Ford

|                 |               |
|-----------------|---------------|
| <b>Part No.</b> |               |
| AA1830          | for Ford 4000 |
| AA1831          | for Ford 5000 |

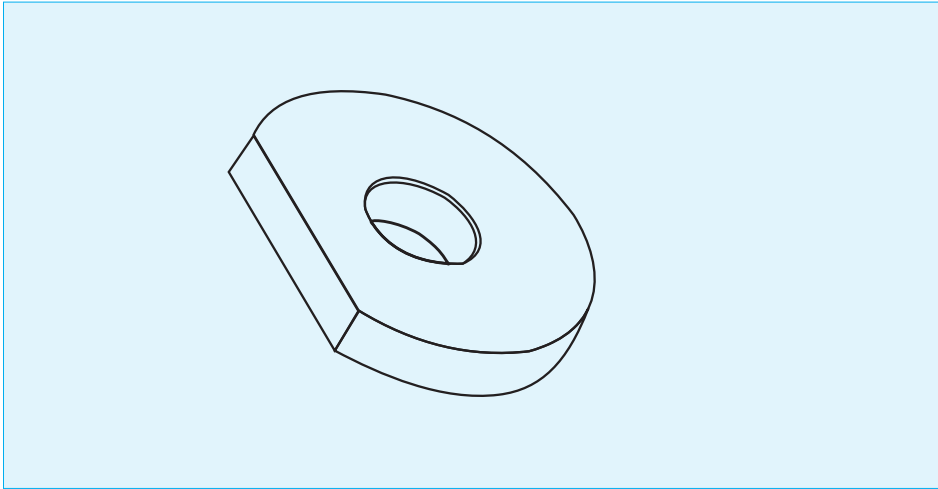


|                 |  |
|-----------------|--|
| <b>Part No.</b> |  |
| AA1832          | for Ford 4000<br>Replaces<br>CFPN - D936 |
| AA1833          | for Ford 5000<br>Replaces<br>CFPN - D936 |

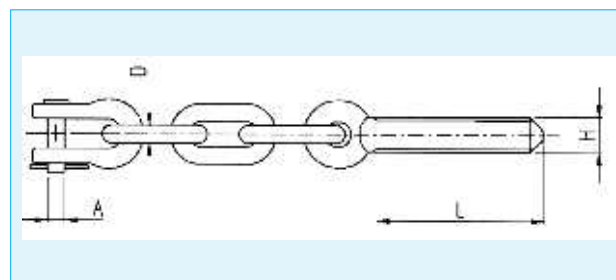
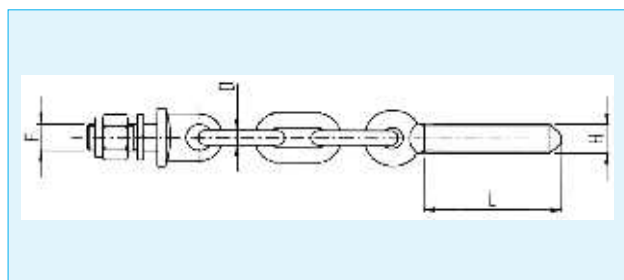


## Stabilizer 'D' Washer

|                 |   |
|-----------------|---|
| <b>Part No.</b> |   |
| AA1813          | for use on all<br>above Ford<br>Stabilizer. |



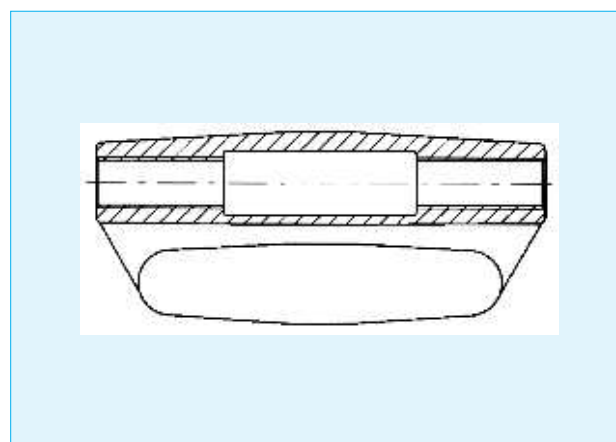
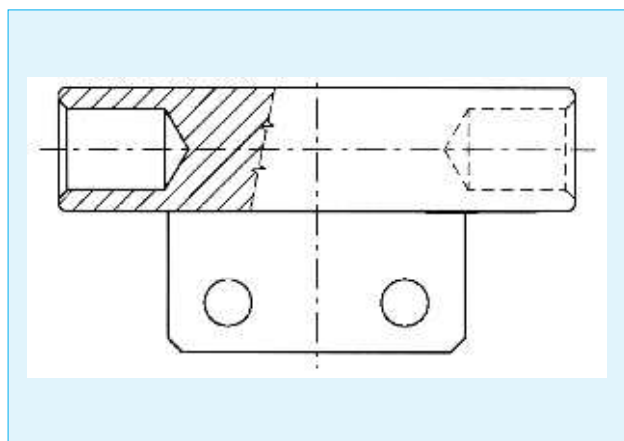
# STABILIZER ASSEMBLIES



| Check Chains for Lift |              |      |       |         |      |         |        |
|-----------------------|--------------|------|-------|---------|------|---------|--------|
| Part No.              | No. of Links | D mm | A mm  | H       | L mm | F       | Fits   |
| AA1900                | 3            | 12   | -     | M16X2LH | 75   | M18X1.5 | AA1928 |
| AA1901                | 3            | 12   | 12    | M16X2RH | 75   | -       |        |
| AA1902                | 2            | 12   | -     | M16X2LH | 95   | M22X1.5 | AA1936 |
| AA1903                | 1            | 12   | 14-14 | M16X2RH | 95   | -       |        |
| AA1904                | 1            | 12   | -     | M16x2LH | 75   | M22x1.5 | AA1935 |
| AA1905                | 1            | 12   | 14-14 | M16x2RH | 75   | -       |        |
| AA1906                | 1            | 14   | -     | M16x2LH | 75   | M22x1.5 | AA1934 |
| AA1907                | 1            | 14   | 14-14 | M16x2RH | 75   | -       |        |
| AA1908                | 2            | 12   | -     | M16x2LH | 75   | M18x1.5 | AA1927 |
| AA1909                | 2            | 12   | 12    | M16x2RH | 75   | -       |        |
| AA1910                | 4            | 12   | -     | M16x2LH | 75   | M18x1.5 | AA1929 |
| AA1911                | 4            | 12   | 12    | M16x2RH | 75   | -       |        |

## Cast Iron Tube For Chains

Part No. AA1915

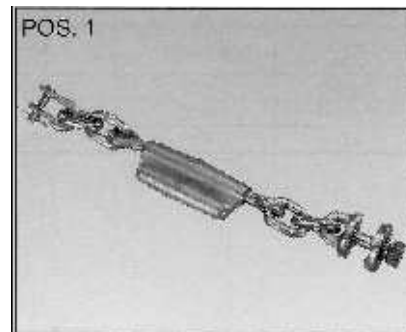
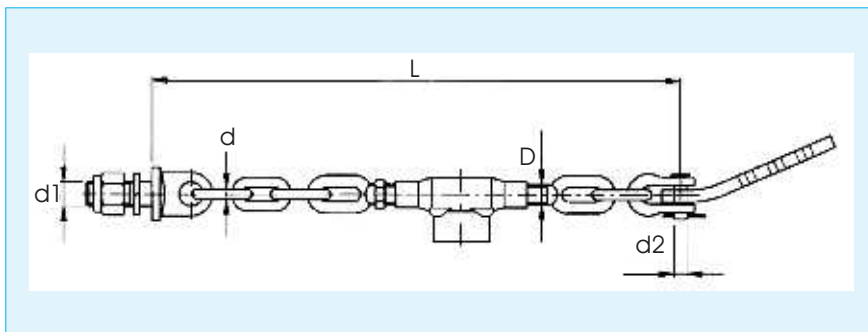


## Connect Support For Fiat C455 - C605

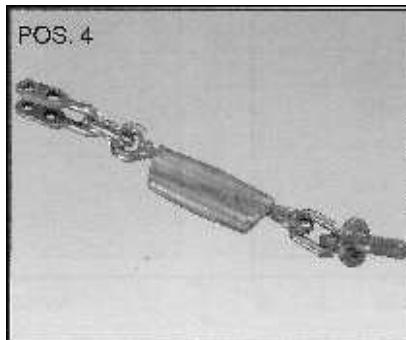
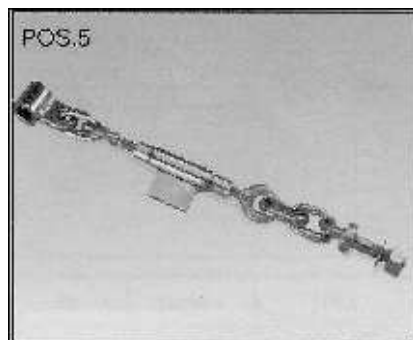
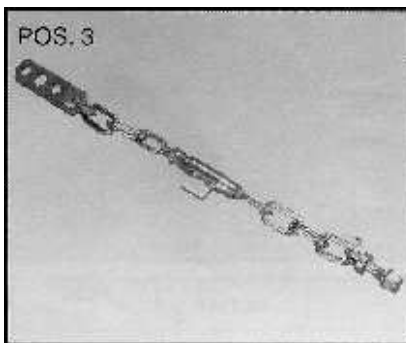
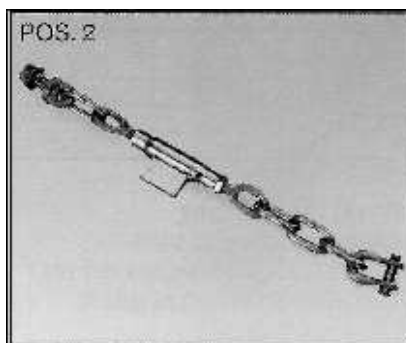
Part No. AA1916



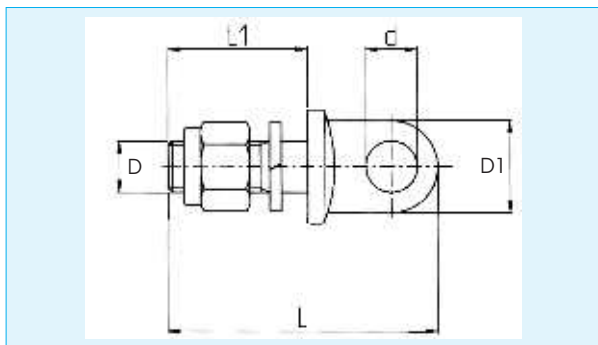
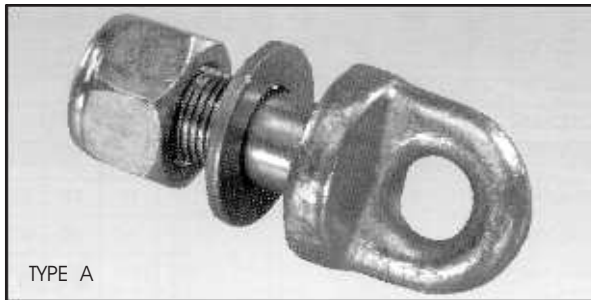
# STABILIZER ASSEMBLIES



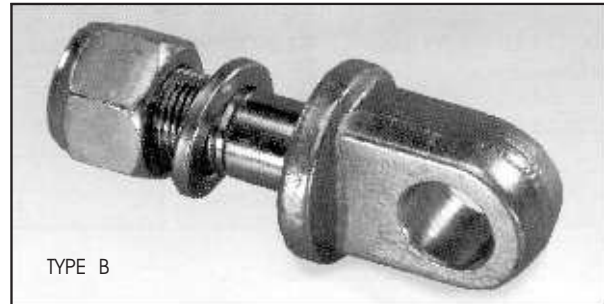
| Check Chain Assemblies for Lift |      |           |       |       |        |      |              |
|---------------------------------|------|-----------|-------|-------|--------|------|--------------|
| Part No.                        | Pos. | L. Min mm | d1 mm | d2 mm | D      | d mm | No. of Links |
| AA1920                          | 2    | 440       | 20    | 14    | 20X2.5 | 12   | 1+1          |
| AA1921                          | 2    | 570       | 20    | 14    | 20X2.5 | 12   | 2+2          |
| AA1922                          | 2    | 690       | 20    | 14    | 20X2.5 | 12   | 3+3          |
| AA1923                          | 2    | 620       | 20    | 14    | 20X2.5 | 12   | 3+2          |
| AA1924                          | 2    | 460       | 18    | 14    | 16X2   | 10   | 3+1          |
| AA1925                          | 3    | 620       | 20    | 14    | 20X2.5 | 12   | 3+2          |
| AA1926                          | 3    | 570       | 20    | 14    | 20X2.5 | 12   | 2+2          |
| AA1927                          | 1    | 420       | 18    | 12    | 16X2   | 12   | 2+2          |
| AA1928                          | 1    | 490       | 18    | 12    | 16X2   | 12   | 3+3          |
| AA1929                          | 1    | 550       | 18    | 12    | 16X2   | 12   | 4+4          |
| AA1930                          | 2    | 670       | 20    | 16    | 22X2.5 | 18   | 4+3          |
| AA1931                          | 4    | 410       | 22    | 14-14 | 16X2   | 13   | 1+1          |
| AA1932                          | 4    | 520       | 22    | 14-14 | 16X2   | 13   | 2+1(2+2)     |
| AA1933                          | 5    | 400       | 20    | -     | 16X2   | 12   | 1+1          |
| AA1934                          | 2    | 430       | 22    | 14-14 | 16X2   | 14   | 1+1          |
| AA1935                          | 2    | 370       | 22    | 14-14 | 16X2   | 12   | 1+1          |
| AA1936                          | 2    | 450       | 22    | 14-14 | 16X2   | 12   | 2+1          |



# STABILIZER ASSEMBLIES



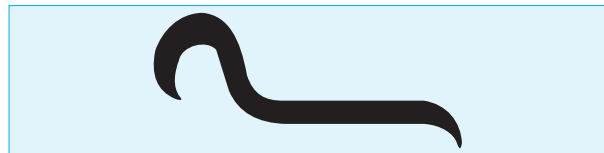
## Eye Bolt For Stabilizers



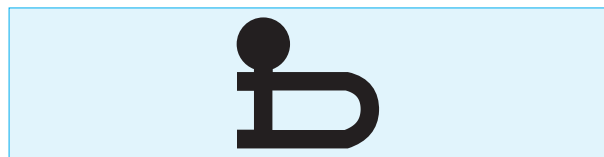
| Part No. | D      | L   | d  | D1 | L1 | Type |
|----------|--------|-----|----|----|----|------|
| AA1940   | 16X1.5 | 80  | 15 | 36 | 43 | A    |
| AA1941   | 18X1.5 | 80  | 15 | 36 | 43 | A    |
| AA1942   | 20X2.5 | 100 | 18 | 45 | 56 | B    |
| AA1943   | 24X2   | 125 | 24 | 53 | 65 | B    |
| AA1944   | 20X2.5 | 125 | 20 | 53 | 65 | B    |

# TIRE CHAIN HARDWARE

**Boomer**  
 Part No. AA30010 Overall Length 7", Zinc Plated Steel.



**Clevis**  
 Part No. AA30011 Overall Length 2", c/w Thumb Screw, Zinc Plated Steel.



**C-Hook**  
 Part No. AA30012 Overall Length 4", Zinc Plated Steel.



**Drill Drag Chain**  
 Fits most standard drills

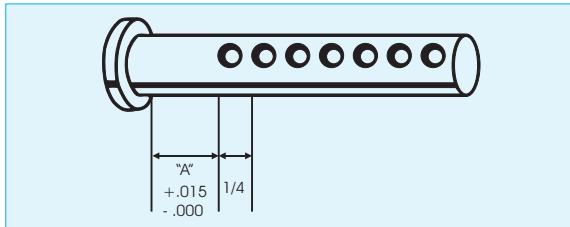
| Part No. | RingDia | Thickness |
|----------|---------|-----------|
| 5000     | 3-1/2"  | 1/2"      |



# CLEVIS PINS



## Adjustable Clevis Pins

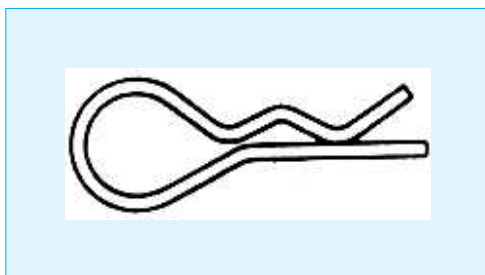


| Part No. | Size         | Hole Size | A       | No. of Holes |
|----------|--------------|-----------|---------|--------------|
| AA2001   | 3/16"X1"     | 3/32"     | 5/8"    | 2            |
| AA2002   | 3/16"X1-1/2" | 3/32"     | 3/8"    | 5            |
| AA2003   | 3/16"X2"     | 3/32"     | 7/8"    | 5            |
| AA2004   | 3/16"X2-1/2" | 3/32"     | 1-3/8"  | 5            |
| AA2005   | 3/16"X3"     | 3/32"     | 1-7/8"  | 5            |
| AA2006   | 1/4"X1"      | 3/32"     | 5/8"    | 2            |
| AA2007   | 1/4"X1-1/2"  | 3/32"     | 3/8"    | 5            |
| AA2008   | 1/4"X2"      | 3/32"     | 7/8"    | 5            |
| AA2009   | 1/4"X2-1/2"  | 3/32"     | 1-3/8"  | 5            |
| AA2010   | 1/4"X3"      | 3/32"     | 1-3/8"  | 7            |
| AA2011   | 1/4"X3-1/2"  | 3/32"     | 1-7/8"  | 7            |
| AA2012   | 1/4"X4"      | 3/32"     | 2-3/8"  | 7            |
| AA2013   | 5/16"X1"     | 1/8"      | 9/16"   | 2            |
| AA2014   | 5/16"X1-1/2" | 1/8"      | 13/16"  | 3            |
| AA2015   | 5/16"X2"     | 1/8"      | 13/16"  | 5            |
| AA2016   | 5/16"X2-1/2" | 1/8"      | 1-5/16" | 5            |

| Part No. | Size         | Hole Size | A        | No. of Holes |
|----------|--------------|-----------|----------|--------------|
| AA2017   | 5/16"X3"     | 1/8"      | 1-5/16"  | 7            |
| AA2018   | 5/16"X3-1/2" | 1/8"      | 1-13/16" | 7            |
| AA2019   | 5/16"X4"     | 1/8"      | 2-5/16"  | 7            |
| AA2020   | 3/8"X1"      | 5/32"     | 1/2"     | 2            |
| AA2021   | 3/8"X1-1/2"  | 5/32"     | 3/4"     | 3            |
| AA2022   | 3/8"X2"      | 5/32"     | 3/4"     | 5            |
| AA2023   | 3/8"X2-1/2"  | 5/32"     | 1-1/4"   | 5            |
| AA2024   | 3/8"X3"      | 5/32"     | 1-1/4"   | 7            |
| AA2025   | 3/8"X3-1/2"  | 5/32"     | 1-3/4"   | 7            |
| AA2026   | 3/8"X4"      | 5/32"     | 2-1/4"   | 7            |
| AA2027   | 7/16"X2"     | 5/32"     | 3/4"     | 5            |
| AA2028   | 7/16"X2-1/2" | 5/32"     | 1-1/4"   | 5            |
| AA2029   | 7/16"X3"     | 5/32"     | 1-1/4"   | 7            |
| AA2030   | 7/16"X3-1/2" | 5/32"     | 1-3/4"   | 7            |
| AA2031   | 7/16"X4"     | 5/32"     | 2-1/4"   | 7            |
| AA2032   | 1/2"X2"      | 5/32"     | 3/4"     | 5            |
| AA2033   | 1/2"X2-1/2"  | 5/32"     | 3/4"     | 7            |
| AA2034   | 1/2"X3"      | 5/32"     | 1-1/4"   | 7            |
| AA2035   | 1/2"X3-1/2"  | 5/32"     | 1-3/4"   | 7            |
| AA2036   | 1/2"X4"      | 5/32"     | 2-1/4"   | 7            |
| AA2037   | 9/16"X2"     | 5/32"     | 3/4"     | 5            |
| AA2038   | 9/16"X3"     | 5/32"     | 1-1/4"   | 7            |
| AA2039   | 9/16"X4"     | 5/32"     | 2-1/4"   | 7            |
| AA2040   | 5/8"X2"      | 5/32"     | 3/4"     | 5            |
| AA2041   | 5/8"X3"      | 5/32"     | 1-1/4"   | 7            |
| AA2042   | 5/8"X4"      | 5/32"     | 2-1/4"   | 7            |

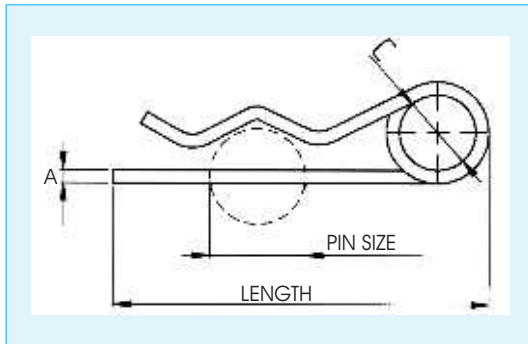
# CLIPS

## Hair Clip Cotter (Made of Spring Steel)

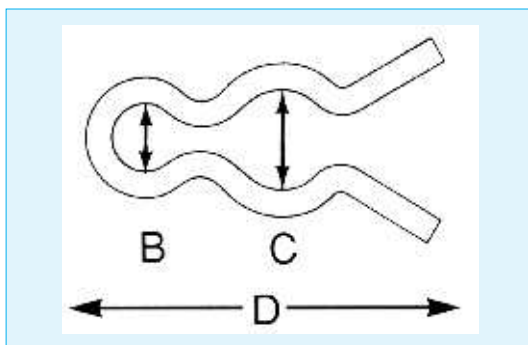


| Part No. | A      |     | Pin Size     |       | B        |     |
|----------|--------|-----|--------------|-------|----------|-----|
|          | inch   | mm  | inch         | mm    | inch     | mm  |
| AA2101   | 5/64"  | 2   | 1/4"-7/16"   | 6-11  | 1-5/8    | 42  |
| AA2102   | 3/32"  | 2.5 | 5/16"-1/2"   | 8-12  | 1-11/16" | 43  |
| AA2103   | 1/8"   | 3   | 3/8"-11/16"  | 10-18 | 2-1/2"   | 64  |
| AA2104   | 5/32"  | 4   | 1/2"-7/8"    | 12-22 | 3"       | 76  |
| AA2105   | 11/64" | 4.5 | 3/8"-11/16"  | 10-18 | 4-1/8"   | 105 |
| AA2106   | 13/64" | 5   | 5/8"-1-1/16" | 16-27 | 4"       | 100 |
| AA2107   | 1/4"   | 6   | 3/4"-1-1/4"  | 19-32 | 4-1/2"   | 113 |
| AA2108   | 9/32"  | 7   | 1"-1-1/2"    | 25-28 | 6"       | 152 |

# CLIPS

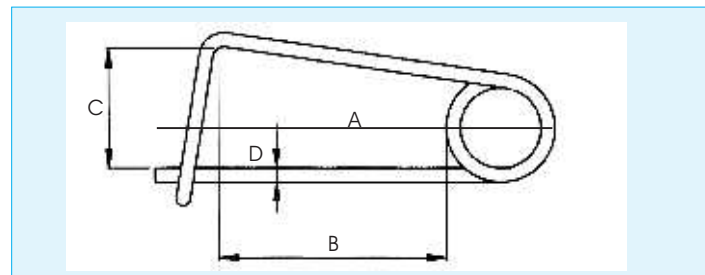


| Hair Clip Cotter Double Round<br>(Made of Spring Steel) |       |    |              |       |          |     |
|---|-------|----|--------------|-------|----------|-----|
| Part No.  | A     |    | Pin Size     |       | Length   |     |
|   | inch  | mm | inch         | mm    | inch     | mm  |
| AA2201  | 1/3"  | 3  | 3/8"-3/4"    | 10-19 | 3"       | 75  |
| AA2202  | 5/32" | 4  | 1/2"-7/8"    | 12-22 | 3-1/2"   | 90  |
| AA2203  | 3/16" | 5  | 5/8"-1-1/16" | 16-27 | 4-1/4"   | 110 |
| AA2204  | 1/4"  | 6  | 3/4"-1-1/4"  | 19-32 | 4-3/4"   | 120 |
| AA2205  | 9/32" | 7  | 1"-1-1/2"    | 25-38 | 6-11/16" | 170 |

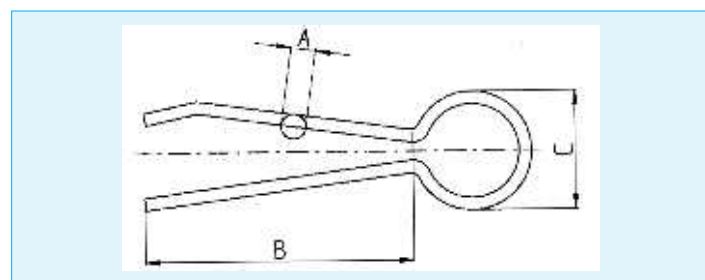


| Hair Pin Clips<br>(Made of Spring Steel) |          |              |       |        |          |
|--|----------|--------------|-------|--------|----------|
| Part No.                                 | Wire Dia | A Shaft Size | B     | C      | D        |
| AA2301                                   | .029     | 1/8"         | 1/16" | 5/64"  | 5/16"    |
| AA2302                                   | .031     | 3/16"        | 7/64" | 9/64"  | 1/2"     |
| AA2303                                   | .033     | 1/4"         | 1/8"  | 7/32"  | 5/8"     |
| AA2304                                   | .048     | 5/16"        | 1/8"  | 1/4"   | 3/4"     |
| AA2305                                   | .052     | 3/8"         | 3/16" | 5/16"  | 31/32"   |
| AA2306                                   | .055     | 7/16"        | 7/32" | 3/8"   | 1-1/8"   |
| AA2307                                   | .064     | 1/2"         | 1/4"  | 7/16"  | 1-1/8"   |
| AA2308                                   | .087     | 5/8"         | 5/16" | 17/32" | 1-1/2"   |
| AA2309                                   | .093     | 3/4"         | 3/8"  | 21/32" | 1-13/16" |
| AA2310                                   | .105     | 7/8"         | 7/16" | 25/32" | 2-5/64"  |
| AA2311                                   | .125     | 1"           | 1/2"  | 7/8"   | 2-9/32"  |
| AA2312                                   | .186     | 1"           | 5/64" | 51/64" | 3"       |

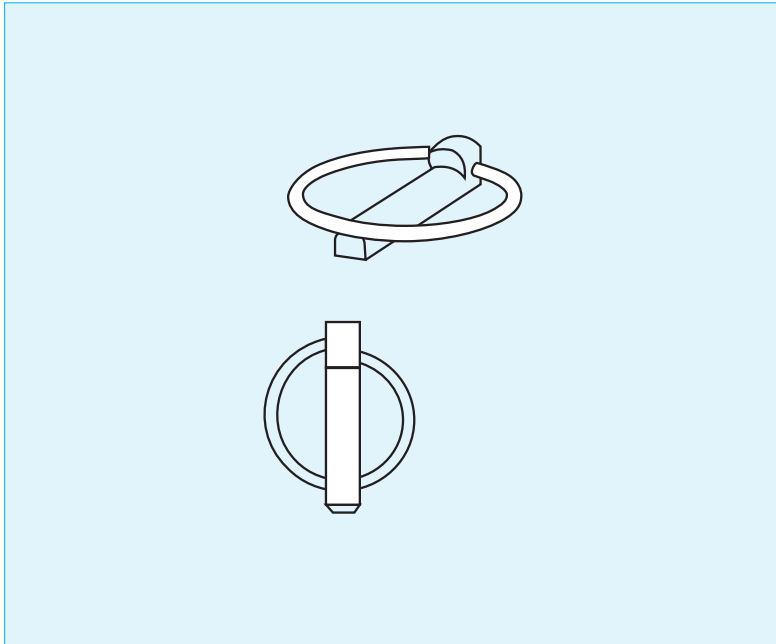
| Safety Pins |         |          |        |            |
|-------------|---------|----------|--------|------------|
| Part No.    | Length  |          |        | Wire Dia D |
|             | A       | B        | C      |            |
| AA2401      | 1-9/16" | 15/16"   | 3/8"   | .047       |
| AA2402      | 1-3/4"  | 1-1/16"  | 3/8"   | .058       |
| AA2403      | 2-3/4"  | 1-11/16" | 5/8"   | .091       |
| AA2404      | 4-3/8"  | 2-13/16" | 13/16" | .120       |
| AA2405      | 5-3/4"  | 3-3/4"   | 1-1/8" | .148       |



| Clips    |        |        |        |
|----------|--------|--------|--------|
| Part No. | A (mm) | B (mm) | C (mm) |
| AA2501   | 3X1.5  | 38     | 17     |
| AA2502   | 5X2.5  | 56     | 27     |

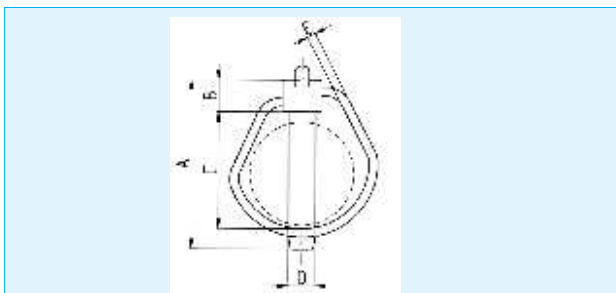
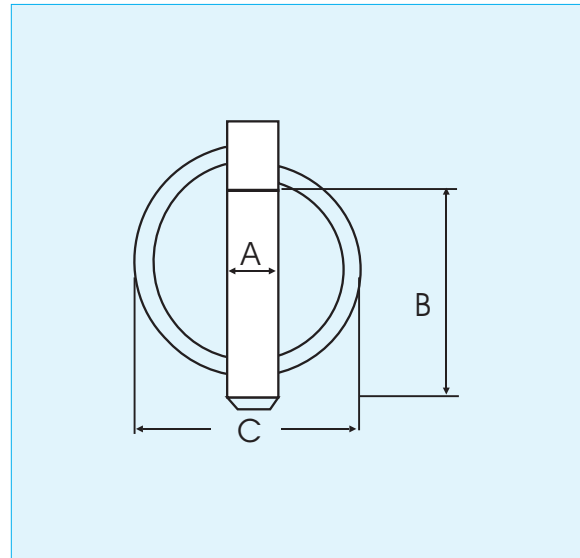


# LINCH PINS



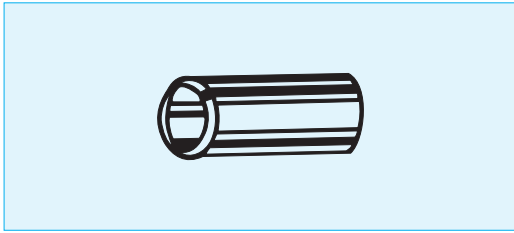
| Linch Pins |         |       |                  |
|------------|---------|-------|------------------|
| Part No.   | Pin Dia | Type  | Cat              |
| AA0560     | 0       | 3/16" | Std.             |
| AA0561     | 0       | 3/16" | W/Chain          |
| AA0562     | 1&2     | 1/4"  | Std.             |
| AA0563     | 1&2     | 1/4"  | W/Chain          |
| AA0564     | 1&2     | 5/16" | Std.             |
| AA0565     | 1&2     | 5/16" | W/Chain          |
| AA0566     | 1&2     | 3/8"  | Std.             |
| AA0567     | 1&2     | 3/8"  | W/Chain          |
| AA0568     | 1&2     | 7/16" | Std.             |
| AA0569     | 1&2     | 7/16" | W/Chain          |
| AA0570     | 1,2&3   | 7/16" | Long             |
| AA0571     | 1,2&3   | 7/16" | Black<br>Ring HD |

| Linch Pins - MM Size |      |      |      |
|----------------------|------|------|------|
| Part No.             | A mm | B mm | C mm |
| AA574                | 4.5  | 32   | 34   |
| AA575                | 4.5  | 41   | 47   |
| AA576                | 6.0  | 41   | 47   |
| AA577                | 7.0  | 41   | 47   |
| AA578                | 8.0  | 41   | 47   |
| AA579                | 9.0  | 41   | 47   |
| AA580                | 8.5  | 41   | 47   |
| AA581                | 10.0 | 41   | 47   |
| AA582                | 10.5 | 41   | 47   |
| AA583                | 11.0 | 41   | 47   |
| AA584                | 12.0 | 45   | 51   |



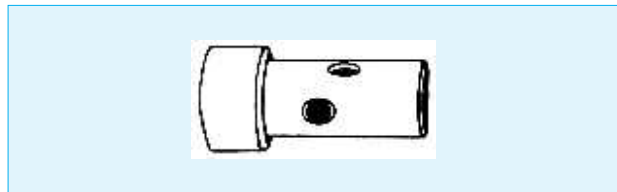
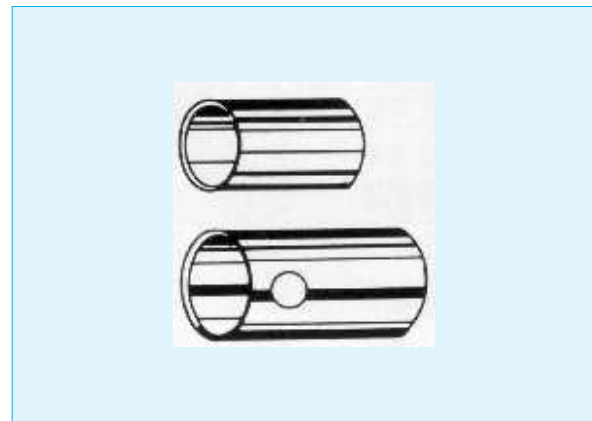
| Linch Pins |      |      |      |      |      |
|------------|------|------|------|------|------|
| Part No.   | A mm | B mm | C mm | D mm | E mm |
| 572        | 70   | 17   | 48   | 11   | 4    |
| 573        | 75   | 17   | 52   | 16   | 4    |

# BUSHES



| Top Link Bushings |        |      |        |         |
|-------------------|--------|------|--------|---------|
| Zinc Plated       |        |      |        |         |
| Part No.          | Cat    | ID   | O.D    | Overall |
| AA0600            | 1 to 2 | 3/4" | 1"     | 2"      |
| AA0601            | 1 to 2 | 3/4" | 1"     | 1-5/8"  |
| AA0602            | 2 to 3 | 1"   | 1-1/4" | 2"      |

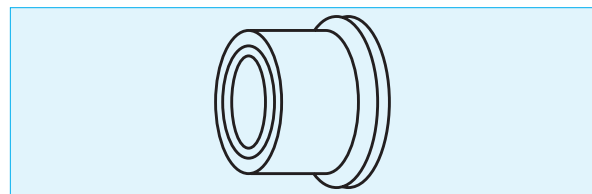
| Lift Arm Bushings |        |            |             |                  |
|-------------------|--------|------------|-------------|------------------|
| Zinc Plated       |        |            |             |                  |
| Part No.          | Cat    | ID Inch/mm | O.D Inch/mm | Overall Inch/mm  |
| AA0610            | 1 to 2 | 7/8"       | 1-1/8"      | 1-3/4"           |
| AA0611            | 1 to 2 | 7/8"       | 1-1/8"      | 1-3/8"           |
| AA0612            | 2 to 3 | 1-1/8"     | 1-7/16"     | 1-3/4"           |
| AA0613            | 2 to 3 | 1-1/8"     | 1-7/16"     | 2-3/4"           |
| AA0614            | 2 to 3 | 1-1/8"     | 1-7/16"     | 3-1/4"           |
| AA0615            | 2 to 3 | 1-1/8"     | 1-7/16"     | 2-1/2" with hole |
| AA0616            | 1 to 2 | 22         | 28          | 63 with hole     |



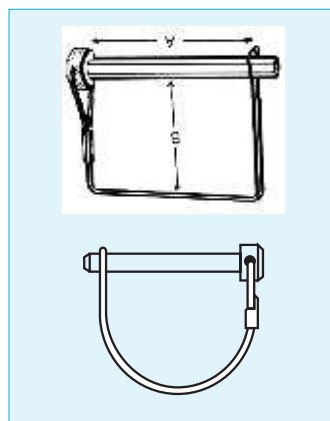
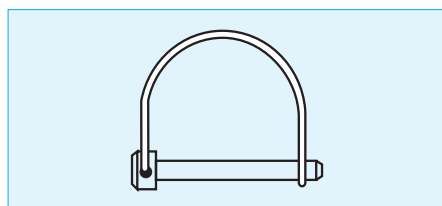
Fits most category 3 Quick Hitches. Converts category 2 Implement pins to category 3. Precision machined and zinc plated.

| Quick Hitch Adaptor Bushings |        |        |         |
|------------------------------|--------|--------|---------|
| Part No.                     | Cat    | ID     | O.D     |
| AA0620                       | 2 to 3 | 1-1/8" | 1-7/16" |

| Top Link Bushings |       |
|-------------------|-------|
| Part No.          | Cat   |
| AA0617            | 1 & 2 |



| Single Wire Style |           |        |        |
|-------------------|-----------|--------|--------|
| Part No.          | Shaft Dia | Usable | Shape  |
| AA0621            | 5/16"     | 3-1/2" | Square |
| AA0622            | 3/8"      | 3"     | Square |

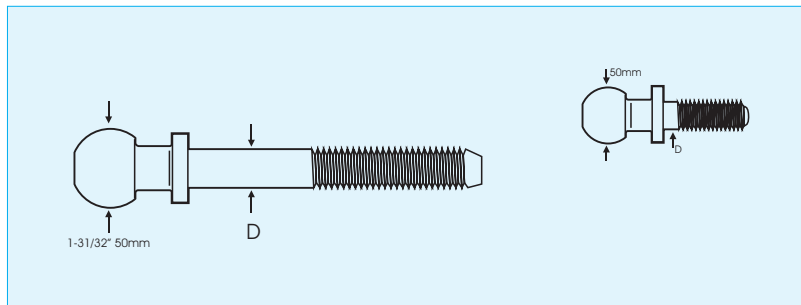
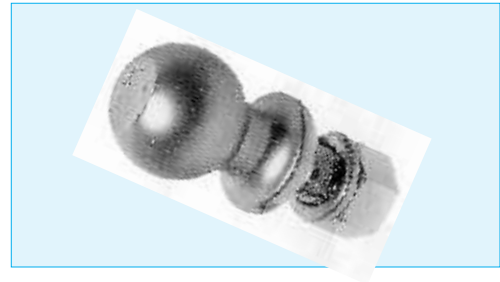


| P.T.O. Accessories |           |        |        |
|--------------------|-----------|--------|--------|
| Part No.           | Shaft Dia | Usable | Shape  |
| AA0623             | 1/4"      | 1-3/4" | Round  |
| AA0624             | 1/4"      | 2-1/2" | Square |
| AA0625             | 5/16"     | 2-1/4" | Round  |
| AA0626             | 5/16"     | 2-1/4" | Square |
| AA0627             | 3/8"      | 2-1/4" | Round  |
| AA0628             | 3/8"      | 2-1/4" | Square |
| AA0629             | 5/16"     | 1-3/4" | Round  |
| AA0629a            | 3/8"      | 1-1/2" | Round  |

# HITCHES



| Hot Forged Hitch Balls |             |             |           |             |           |
|------------------------|-------------|-------------|-----------|-------------|-----------|
| Part No.               | Rating Clas | Max. Length | Ball Size | Thread Size | Stud Lgt. |
| AA0650                 | 1           | 2000        | 1-7/8"    | 3/4"        | 1-3/4"    |
| AA0651                 | 2           | 3500        | 2"        | 3/4"        | 1-3/4"    |
| AA0652                 | 3           | 5000        | 2"        | 1"          | 2-1/8"    |
| AA0653                 | 4           | 7500        | 5-5/16"   | 1-1/4"      | 2-1/8"    |



| Ball Hitch Pins |      |    |    |      |
|-----------------|------|----|----|------|
| Part No.        | Inch | D  | MM | Fig. |
| AA0660          | 7/8" | 22 | 1  | 1    |
| AA0661          | 1"   | 25 | 1  | 1    |
| AA0662          | 3/4" | 19 | 2  | 2    |
| AA0663          | 7/8" | 22 | 2  | 2    |
| AA0664          | 1"   | 25 | 2  | 2    |

## DOUBLE DUTY HITCHES

| Heavy Duty Hitches | Part No. AA895  |
|--------------------|---|
|                    | <p>Maximum static load</p> <p>5.000 lbs (2268 kg)</p> <p>12.000 lbs (5443 kg)</p> |

| Standard Duty Hitches | Part No. AA896  |
|-----------------------|---|
|                       | <p>Maximum static load</p> <p>5.000 lbs (2268 kg)</p> <p>12.000 lbs (4536 kg)</p> |

# HITCHES




**HEAT TREATED**

One-piece forged body is permanently welded to extra large handle that's dipped in red P.V.C. plastic for secure grip.

Heat treated steel body has black powder coated finish. Comes with clip.

| Red Head Forged Hitch Pins |        |        |
|----------------------------|--------|--------|
| Part No.                   | Dia    | Usable |
| AA700                      | 1/2"   | 3-5/8" |
| AA701                      | 5/8"   | 4"     |
| AA702                      | 5/8"   | 5-1/2" |
| AA703                      | 3/4"   | 4"     |
| AA704                      | 3/4"   | 6-1/2" |
| AA705                      | 7/8"   | 6-1/2" |
| AA706                      | 1"     | 7-1/2" |
| AA707                      | 1-1/8" | 8-1/2" |
| AA708                      | 1-1/4" | 8-1/2" |
| AA709                      | 1-1/2" | 8-1/2" |



**HEAT TREATED**

A Premium Hitch Pin Drop Forged Heat Treated. Our drop forged hitch pins are similar to the "orange pin. They are just as strong but cost less. Made from on-piece, drop forged steel and heat treated quenched and tempered to 30-35 Rockwell 'C' specifications. Pins are painted bright red with zinc plated handles and clips.

Note : Clip and chain can be fitted as per your requirements.

| Drop Forged Hitch Pins |        |        |
|------------------------|--------|--------|
| Part No.               | Dia    | Usable |
| AA715                  | 7/16"  | 3-1/2" |
| AA716                  | 1/2"   | 3-1/2" |
| AA717                  | 5/8"   | 3-3/4" |
| AA718                  | 3/4"   | 4"     |
| AA719                  | 7/8"   | 4-1/4" |
| AA720                  | 1"     | 4-3/4" |
| AA721                  | 5/8"   | 6"     |
| AA722                  | 3/4"   | 6-1/4" |
| AA723                  | 7/8"   | 6-1/2" |
| AA724                  | 1"     | 6-3/4" |
| AA725                  | 1-1/8" | 7"     |
| AA726                  | 1-1/4" | 7"     |

| Cold Forged Hitch Pins |        |        |
|------------------------|--------|--------|
| Part No.               | Dia    | Usable |
| AA750                  | 1/2"   | 4-1/4" |
| AA751                  | 5/8"   | 4-1/4" |
| AA752                  | 5/8"   | 6-1/4" |
| AA753                  | 3/4"   | 4-1/4" |
| AA754                  | 3/4"   | 6-1/4" |
| AA755                  | 7/8"   | 6-1/4" |
| AA756                  | 1"     | 6-1/4" |
| AA757                  | 1-1/8" | 6-1/4" |
| AA758                  | 1-1/4" | 6-1/4" |



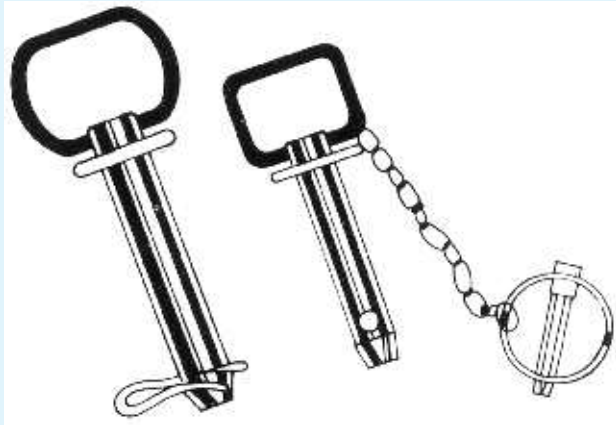
One piece forged pin, high carbon steel, spring wire handle includes clip or linch pin & chain, zinc Plated.



# HITCH PINS



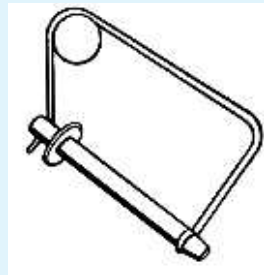
Machined "Highstress" Hitch Pins Precision Machined, High Carbon Steel Bodies - Zinc Plated.



## High Stress Hitch Pins

| Part No. | Dia    | Usable Length |
|----------|--------|---------------|
| AA770    | 1/2"   | 4-1/4"        |
| AA771    | 5/8"   | 4-1/4"        |
| AA772    | 5/8"   | 6-1/4"        |
| AA773    | 3/4"   | 4-1/4"        |
| AA774    | 3/4"   | 6-1/4"        |
| AA775    | 7/8"   | 4-1/4"        |
| AA776    | 7/8"   | 6-1/4"        |
| AA777    | 1"     | 4-1/4"        |
| AA778    | 1"     | 6-1/4"        |
| AA779    | 1-1/8" | 6-1/4"        |
| AA780    | 1-1/4" | 7-1/2"        |
| AA781    | 1-3/8" | 7-1/2"        |
| AA782    | 1-1/2" | 7-1/2"        |

Tempered spring steel wire handle snaps over pin to hold it securely in place. High carbon steel body zinc plated.



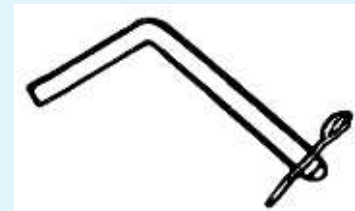
## Handle-Lock Hitch Pins

| Part No. | Dia Length | Usable Length |
|----------|------------|---------------|
| AA790    | 1/2"       | 4-1/4"        |
| AA791    | 5/8"       | 4-1/4"        |
| AA792    | 3/4"       | 4-1/4"        |
| AA793    | 3/4"       | 6-1/4"        |
| AA794    | 7/8"       | 6-1/4"        |
| AA795    | 1"         | 6-1/4"        |

## Bent Hitch Pins

| Part No. | Dia Length | Usable Length |
|----------|------------|---------------|
| AA796    | 1/2"       | 3"            |
| AA797    | 5/8"       | 3"            |
| AA798    | 3/4"       | 3-1/2"        |
| AA799    | 7/8"       | 3-1/2"        |

One Piece, High carbon steel. Comes with clip. Zinc Plated, Auto Black

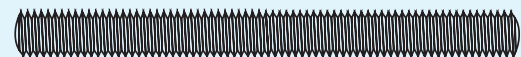


## Threaded Bars

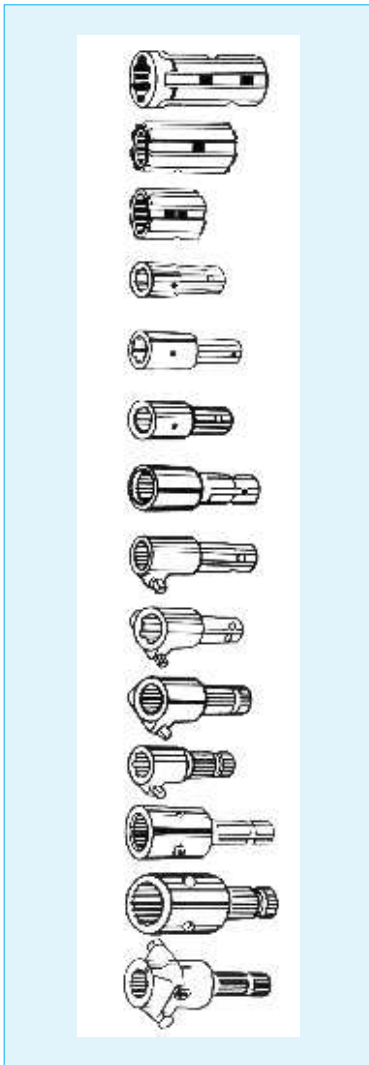
Available in Diameter from 1/4" to 1-3/4" Length Size up to 8 feet.

## Cultivator Points

Superfine quality cultivator points made from high Grade spring steel, Hardened & Tempered.

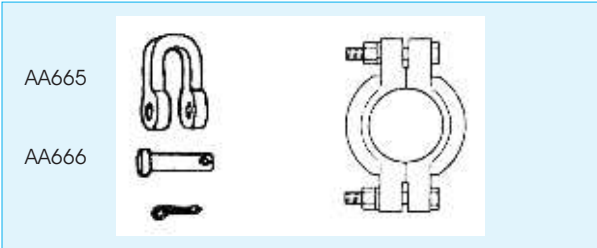
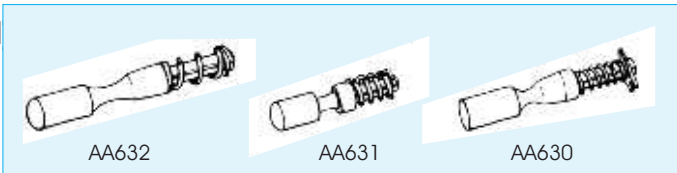


# P.T.O. ADAPTORS



| Part No. | Description                              | Female     | Male       | Extns PTO | Overall | Similar to Hub Cty No. |
|----------|--|------------|------------|-----------|---------|------------------------|
| AA900    | Forged Increaser                         | 1-1/8"X6"  | 1-3/8"X6"  | 1-1/8"    | 3"      | 03-32-00018            |
| AA901    | Sleeve Increaser<br>Fits all except Ford | 1-1/8"X6"  | 1-3/8"X6"  | 0         | 2-1/4"  | 03-32-00352            |
| AA902    | Sleeve Increaser                         | 1-1/8"X6"  | 1-3/8"X6"  | 0         | 1-7/8"  | 03-32-00363            |
| AA903    | Forged Increaser                         | 1-1/8"X6"  | 1-3/8"X6"  | 2-1/2"    | 4-5/8"  | 03-32-03531            |
| AA904    | Forged Reducer                           | 1-3/8"X6"  | 1-1/8"X6"  | 2-3/4"    | 5-3/8"  | 03-32-00400            |
| AA905    | Forged Extender                          | 1-3/8"X6"  | 1-3/8"X6"  | 3"        | 5-3/8"  | 03-32-00378            |
| AA906    | 21 to 6 Spline<br>1000 to 540 RPM        | 1-3/8"X21" | 1-3/8"X6"  | 3-1/4"    | 5-7/8"  | 03-32-00373            |
| AA907    | 21 to 6 Spline QR<br>1000 to 540 RPM     | 1-3/8"X21" | 1-3/8"X6"  | 4-1/8"    | 6-3/8"  | 03-32-01375            |
| AA908    | QR Extender                              | 1-3/8"X6"  | 1-3/8"X6"  | 4-1/8"    | 6-3/8"  | 03-32-00010            |
| AA909    | 21 QR Extender<br>1000 RPM               | 1-3/8"X21" | 1-3/8"X21" | 4-1/8"    | 5-7/8"  | 03-32-02121            |
| AA910    | 6 to 21 Spline QR<br>1000 to 540 RPM     | 1-3/8"X6"  | 1-3/8"X21" | 4-1/8"    | 5-7/8"  | 03-32-00013            |
| AA911    | 20 to 6 Spline                           | 1-3/4"X20" | 1-3/8"X6"  | 4-5/8"    | 7-1/2"  | 03-32-00020            |
| AA912    | 20 to 6 Spline<br>Heavy Duty             | 1-3/4"X20" | 1-3/8"X6"  | 5"        | 7-7/8"  | 03-32-00076            |
| AA913    | 20to 21 Spline                           | 1-3/4"X20" | 1-3/8"X21" | 4-5/8"    | 7"      | 03-32-00021            |
| AA914    | 20 to 21 Spline<br>Heavy Duty            | 1-3/4"X20" | 1-3/8"X21" | 5-1/2"    | 7-7/8"  | 03-32-00077            |
| AA915    | Over Running<br>Clutch Extender          | 1-3/8"X6"  | 1-3/8"X6"  | 3-3/4"    | 6-3/4"  | 03-31-00880            |
| AA916    | Over Running<br>Clutch Increaser         | 1-1/8"X6"  | 1-3/8"X6"  | 3-3/4"    | 6-3/4"  | 03-31-00670            |

**Part No. P.T.O. Quick Release Repair Kit (Zinc Plated)**  
 AA630 Fits most P.T.O. Drive Yolks Clip Includes Pins, Spring  
 AA631 and 2 Clips Hot Forged Hitch balls  
 AA632

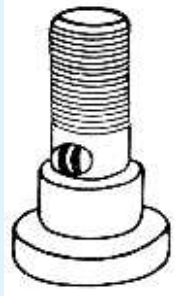


**Part No. Clevis Assembly For Check Chain**  
 AA665 Fits all Ford 1964, MF 20, 30, 35, 40 & 50 thru includes Clevis, Cotter and Clevis Pin. Zinc Plated  
 AA666 Muffer Clamp Assembly  
 Fits ford 2M, 8M, 9M, 20 & 30.  
 Replaces Ford 9M 5251, MF 181461 MI Clamp

# CUTTER BOLT

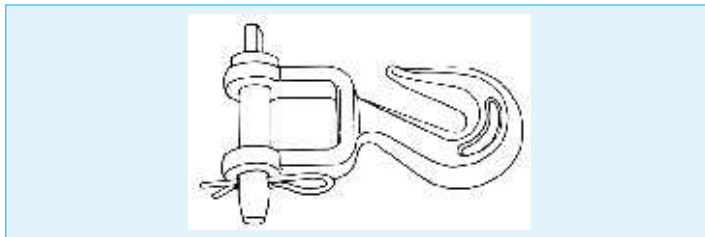


Made from (SAE Grades) Alloy Steel, forged, hardened & Tempered



| Part No. | Replaces      |                    |
|----------|---------------|--------------------|
| AA801    | Double Staked | John Deere         |
|          | Blade Bolt    | W 2223             |
| AA802    | Blade Bolt    | Bush Hog RE 7919   |
| AA803    | Blade Bolt    | Tiger 6T 1022R     |
| AA804    | Blade Bolt    | Terraime King 1277 |
| AA805    | Blade Bolt    |                    |
|          | Side Winder   | Harde C48          |
| AA806    | Blade Bolt    |                    |
|          | Side Winder   | 15060              |

# CLEVIS



## Tractor Drawbar Hook

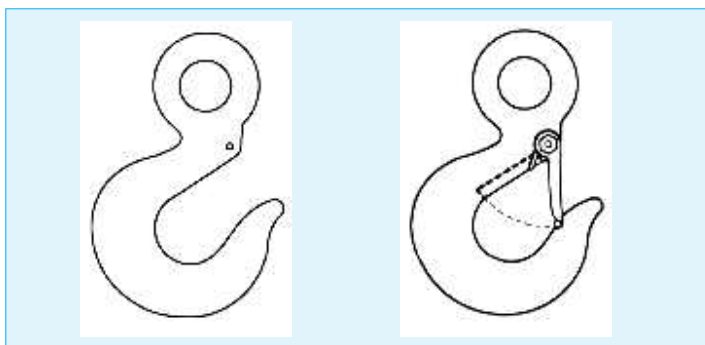
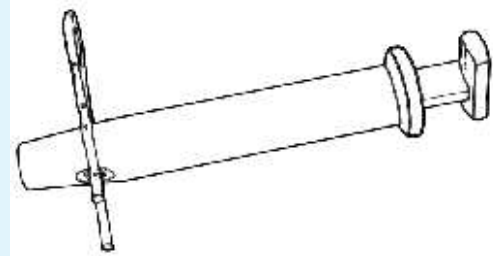
Part No. AA30834 Hot Forged High Carbon Steel

Fits all tractor drawbars with 3/4" holes, up to and including 1-1/4" thick. Use with chain sizes 5/16" to 1/2", including high test chain. Pin NO. 30835 is forged and heat treated.

## T-Handle Clevis Pins

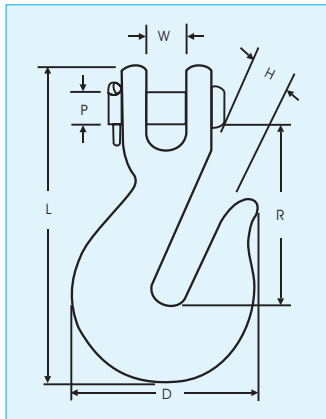
| Part No. | Pin Dia | Usable Length |
|----------|---------|---------------|
| AA30812  | 1/2"    | 2-1/2"        |
| AA30813  | 5/8"    | 3-1/8"        |
| AA30814  | 3/4"    | 3-1/4"        |
| AA30815  | 7/8"    | 3-3/4"        |
| AA30816  | 1"      | 4-1/4"        |

High Carbon Steel, Drop Forged, Heat Treated & Zinc Plated.

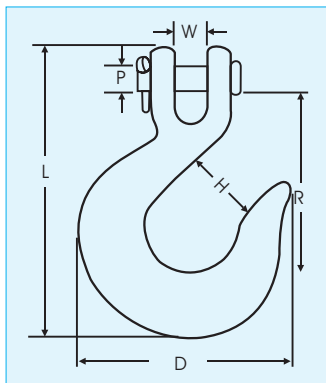


## Eye Hoist Hooks

| Part No. | WWL(tons) | Overall Length |
|----------|-----------|----------------|
| AA30145  | 3/4"      | 4-5/16"        |
| AA30146  | 1"        | 4-7/8"         |
| AA30147  | 1-1/2"    | 5-1/2"         |
| AA30148  | 2"        | 6-3/8"         |
| AA30149  | 3"        | 8"             |
| AA30150  | 5"        | 10"            |

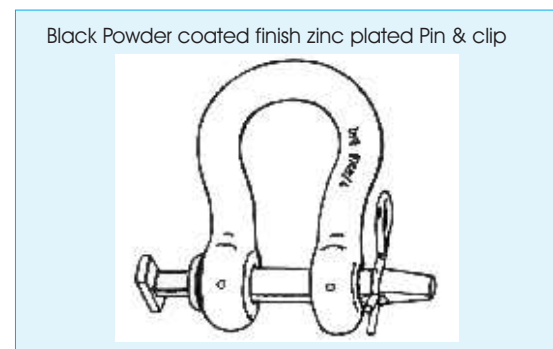


| High Test Grab Hook                   |            |                          |        |          |        |          |        |          |
|---------------------------------------|------------|--------------------------|--------|----------|--------|----------|--------|----------|
| Hot Forged, Heat Treated and Tempered |            |                          |        |          |        |          |        |          |
| Part No.                              | Chain Size | Working Load Limit (LBS) | W      | D        | H      | L        | P      | R        |
| AA30804                               | 1/4"       | 2,600                    | 5/16"  | 1-15/16" | 3/8"   | 3-3/8"   | 5/16"  | 2"       |
| AA30805                               | 5/16"      | 4,000                    | 3/8"   | 2-1/4"   | 7/16"  | 3-15/16" | 3/8"   | 2-3/8"   |
| AA30806                               | 3/8"       | 5,400                    | 7/16"  | 2-11/16" | 1/2"   | 4-1/2"   | 7/16"  | 2-11/16" |
| AA30807                               | 7/16"      | 7,200                    | 1/2"   | 3"       | 9/16"  | 5-1/32"  | 1/2"   | 3"       |
| AA30808                               | 1/2"       | 9,200                    | 19/32" | 3-5/16"  | 21/32" | 5-5/8"   | 9/16"  | 3-23/64" |
| AA30810                               | 5/8"       | 11,500                   | 3/4"   | 4-1/4"   | 25/32" | 6-7/8"   | 11/16" | 4"       |
| AA30812                               | 3/4"       | 16,200                   | 7/8"   | 5-1/4"   | 15/16" | 8"       | 3/4"   | 4-19/32" |



| High Test Slip Hook                   |            |                          |        |          |         |          |        |          |
|---------------------------------------|------------|--------------------------|--------|----------|---------|----------|--------|----------|
| Hot Forged, Heat Treated and Tempered |            |                          |        |          |         |          |        |          |
| Part No.                              | Chain Size | Working Load Limit (LBS) | W      | D        | H       | L        | P      | R        |
| AA30904                               | 1/4"       | 2,600                    | 5/16"  | 2-5/8"   | 15/16"  | 3-11/16" | 5/16"  | 2-5/16"  |
| AA30905                               | 5/16"      | 4,000                    | 3/8"   | 3-1/16"  | 1-1/16" | 4-3/16"  | 3/8"   | 2-9/16"  |
| AA30906                               | 3/8"       | 5,400                    | 7/16"  | 3-1/2"   | 1-1/4"  | 4-7/8"   | 7/16"  | 3"       |
| AA30907                               | 7/16"      | 7,200                    | 1/2"   | 4-5/16"  | 1-9/16" | 5-11/16" | 1/2"   | 3-1/2"   |
| AA30908                               | 1/2"       | 9,200                    | 19/32" | 4-7/8"   | 1-3/4"  | 6-3/8"   | 9/16"  | 3-15/16" |
| AA30910                               | 5/8"       | 11,500                   | 3/4"   | 5-11/16" | 2"      | 7-9/16"  | 11/16" | 4-3/4"   |

| Farm Straight Clevises |         |               |               |
|------------------------|---------|---------------|---------------|
| Part No.               | Pin Dia | Body Size     | Max. WWL(LBS) |
| AA30158                | 1/2"    | 5/8"x3-1/4"   | -             |
| AA30134                | 5/8"    | 3/4"x3-3/4"   | 12,000        |
| AA30178                | 3/4"    | 7/8"x3-1/4"   | 16,000        |
| AA30187                | 3/4"    | 7/8"x4-1/4"   | 16,000        |
| AA30190                | 7/8"    | 15/16"x4-5/8" | 20,000        |
| AA30195                | 1"      | 1"x5-5/16"    | -             |

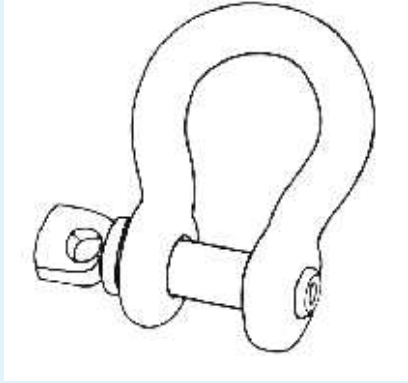


| Farm Twisted Clevises |         |               |                |
|-----------------------|---------|---------------|----------------|
| Part No.              | Pin Dia | Body Size     | MAX. WWL (LBS) |
| AA30258               | 1/2"    | 5/8"x3"       | -              |
| AA30234               | 5/8"    | 3/4"x3-1/2"   | 12,000         |
| AA30278               | 3/4"    | 7/8"x3"       | 16,000         |
| AA30287               | 3/4"    | 7/8"x3-7/8"   | 16,000         |
| AA30290               | 7/8"    | 15/16"x4-1/4" | 20,000         |
| AA30295               | 1"      | 1"x5-5"       | -              |

# CUTTER BOLT



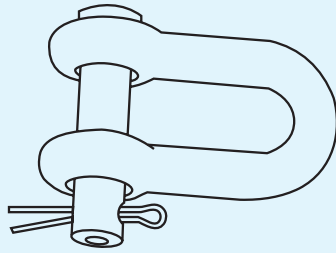
Black Powder coated finish zinc plated Pin & clip



## Farm Screw Pin Clevises

| Part No. | Pin Dia        | Pin Size |
|----------|----------------|----------|
| AA30646  | 1/4"X1-1/8"    | 5/16"    |
| AA30647  | 5/16"X1-1/4"   | 3/8"     |
| AA30648  | 3/8"X1-7/16"   | 7/16"    |
| AA30649  | 7/16"X1-11/16" | 1/2"     |
| AA30650  | 1/2"X1-15/16"  | 5/8"     |
| AA30651  | 5/8"X2-1/2"    | 3/4"     |
| AA30652  | 3/4"X3"        | 7/8"     |
| AA30653  | 7/8"X3-1/4"    | 1"       |
| AA30654  | 1"X3-3/4"      | 1-1/8"   |

Black Powder coated finish zinc plated Pin & clip



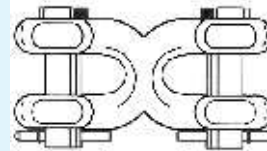
## Farm Utility Clevises

| Part No. | Pin Dia       | Pin Size |
|----------|---------------|----------|
| AA30546  | 1/4"X7/8"     | 5/16"    |
| AA30547  | 5/16"X1"      | 3/8"     |
| AA30548  | 3/8"X1-1/4"   | 7/16"    |
| AA30549  | 7/16"X1-1/2"  | 1/2"     |
| AA30550  | 1/2"X1-11/16" | 5/8"     |
| AA30551  | 5/8"X2"       | 3/4"     |

## Farm Double Clevises

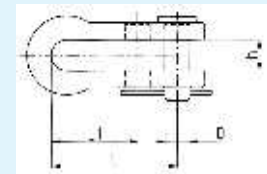
| Part No. | Chain Size  | Max. WWL(LBS) |
|----------|-------------|---------------|
| AA30605  | 1/4 or 5/16 | 4,700         |
| AA30606  | 3/8         | 6,600         |
| AA30608  | 7/16 or 1/2 | 11,300        |
| AA30610  | 5/8"        | 18000         |

One Piece forged Steel, Heat treated Pins  
Use with High test chain.

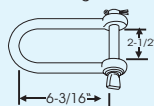


## Clevis Double Hole

| Part No. | D  |       | L  | L1 | h  |
|----------|----|-------|----|----|----|
|          | mm | Inch  |    |    |    |
| AA30920  | 14 | 9/16" | 72 | 50 | 18 |



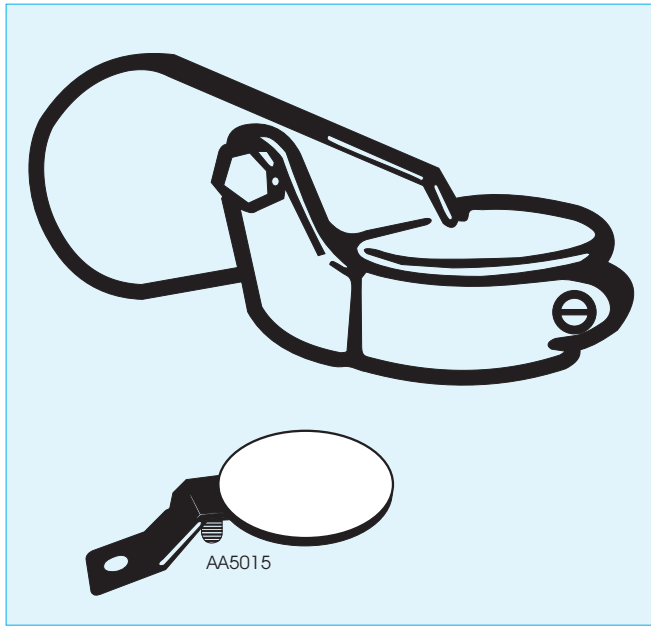
Hot Forged - with heat treated round pin forextre strength. 3/4" body and pin.  
Working load limited 10,000 lbs. Max.



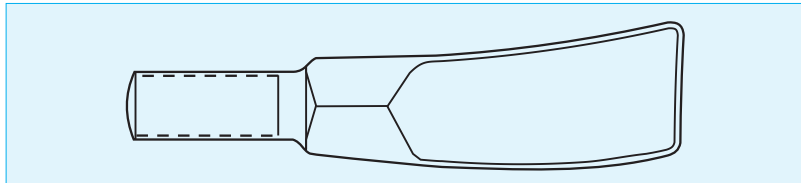
## General Purpose Clevis

Part No. AA30465

# WEATHER CAPS

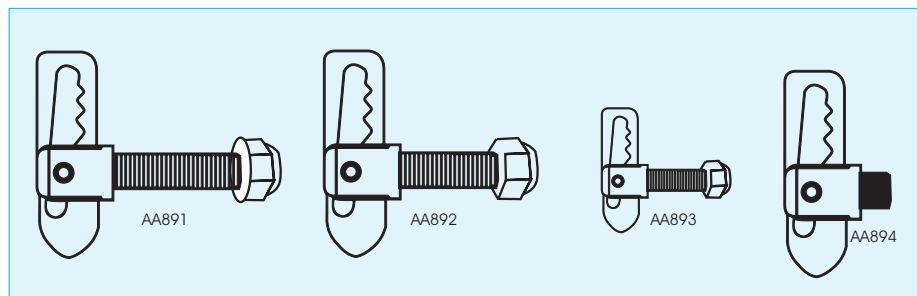


| Part No. | Size   | Min. Exhaust O.D. | Max. Exhaust O.D. |
|----------|--------|-------------------|-------------------|
| AA5001   | 1-1/2" | 1-1/2"            | 1-11/16"          |
| AA5002   | 1-3/4" | 1-3/4"            | 1-15/16"          |
| AA5003   | 2"     | 2"                | 2-3/16"           |
| AA5004   | 2-1/4" | 2-1/4"            | 2-7/16"           |
| AA5005   | 2-1/2" | 2-1/2"            | 2-11/16"          |
| AA5006   | 2-3/4" | 2-3/4"            | 2-15/16"          |
| AA5007   | 3"     | 3"                | 3-3/16"           |
| AA5008   | 3-1/4" | 3-1/4"            | 3-7/16"           |
| AA5009   | 3-1/2" | 3-1/2"            | 3-11/16"          |
| AA5010   | 3-3/4" | 3-3/4"            | 3-15/16"          |
| AA5011   | 4"     | 4"                | 4-3/16"           |
| AA5012   | 4-1/4" | 4-1/4"            | 4-7/16"           |
| AA5013   | 4-1/2" | 4-1/2"            | 4-11/16"          |
| AA5014   | 5"     | 5"                | 5-1/4"            |
| AA5015   | 57mm   | 50mm              | -                 |



| Spike Tooth |      |
|-------------|------|
| Part No.    | 860d |

| Drop Lock Pins |       |
|----------------|-------|
| Part No.       | AA891 |
| Part No.       | AA892 |
| Part No.       | AA893 |
| Part No.       | AA894 |



| Steering Wheel Spinners |     |
|-------------------------|-----|
| Part No.                | Fig |
| AA2701                  | 1   |
| AA2702                  | 2   |
| AA2703                  | 3   |





## ADVANCE AGRO INTERNATIONAL

Shop No.31, Community Centre, New Friends Colony,  
New Delhi - 110 065 (India)  
Tel.: 91-11-6847443, 4620498 Fax: 91-11-4624175  
Works : C-58, Sector-57, Noida - 201 301 (India)  
Telefax.: 91-11-91- 583500