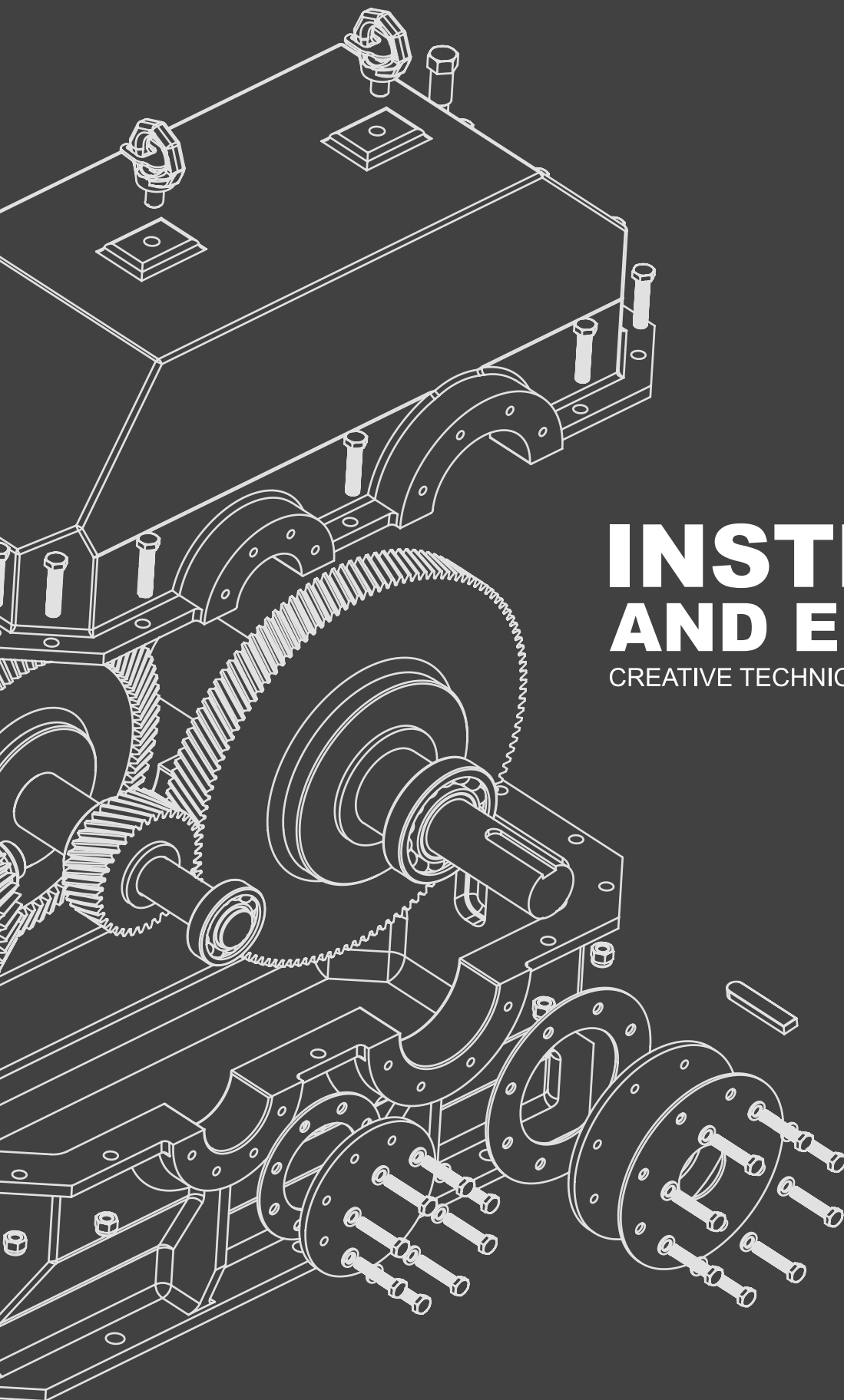


DOMACH

# INSTRUCT AND ENGAGE

CREATIVE TECHNICAL COMMUNICATION



**SERGIO G. C. DOURADO**

*sergio@domach.com.br*

+55 (11) 9 1206-2709

SERVICE CATALOG

Rev03-2025-january

## ABOUT US

WE ARE SPECIALISTS IN TECHNICAL DOCUMENTATION AND VISUAL PRESENTATIONS.

DOMACH specializes in creating innovative and interactive technical documentation for products. We develop user manuals, data sheets (technical data and specifications), installation guides, videos/animations, rendered images, 3D modeling, and technical detailing of parts and assemblies, work instructions (WI), and corporate videos.

We present your product in an educational, creative, animated, and interactive way, with the highest quality and layout standards. We believe that technical documentation can and should be engaging, avoiding monotony while making the content accessible and interesting.

Our approach ensures your product is presented in a unique and memorable way, sparking your customers' interest and, most importantly, helping them fully understand all its details.

**MISSION:** To organize your product's information and make it useful for the commercial, manufacturing, installation, and after-sales stages.

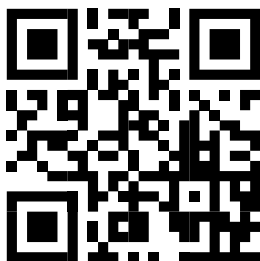
**VISION:** To be a national and international reference in technical documentation development.

**VALUES:** Objectivity, innovation, creativity, partnership, and respect for the environment.



Hello! My name is Sergio, and I am a professional with over 17 years of experience in the industrial sector, where I have combined my background in Mechanical Projects with my expertise in technical documentation. I have worked in product engineering, processes, research, and development.

My mission is to help your company stand out through high-quality, high-performance materials. With my experience, I am capable of creating documents that not only meet technical requirements but also facilitate understanding and the efficient use of your products and services.



[domach.com.br](http://domach.com.br)



[sergio@domach.com.br](mailto:sergio@domach.com.br)



+55 (11) 91206-2709



[linkedin.com/company/domach](https://www.linkedin.com/company/domach)



[@domachbrasil](https://www.instagram.com/domachbrasil)



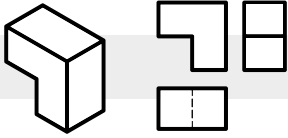
[facebook.com/domachbrasil](https://www.facebook.com/domachbrasil)



[youtube.com/@DOMACHBRASIL](https://www.youtube.com/@DOMACHBRASIL)

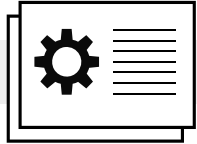
# SERVICES

PRECISION, CLARITY, AND RELIABILITY IN EVERY DOCUMENT



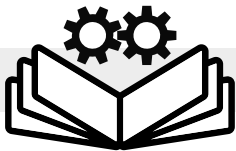
## DESIGN / PROJECT

3D modeling and 2D detailing of your project, whether for creation, improvement, or reverse engineering of a product.



## DATA SHEET

A data sheet to detail the basic product information and assist in selecting possible options.



## TECHNICAL MANUAL

A comprehensive and detailed document to guide the safe and efficient use, operation, and maintenance.



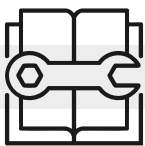
## RENDER

High-quality, realistic images to simulate the presentation of your product.



## ANIMATION / VIDEO

High-quality videos that highlight the product's details, functionality, and installation, or showcase the company's corporate profile.



## INSTALLATION GUIDE

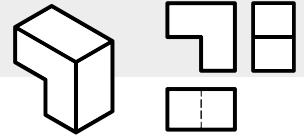
A detailed step-by-step guide to ensure efficiency and safety during assembly / installation.



## WORK INSTRUCTION (WI)

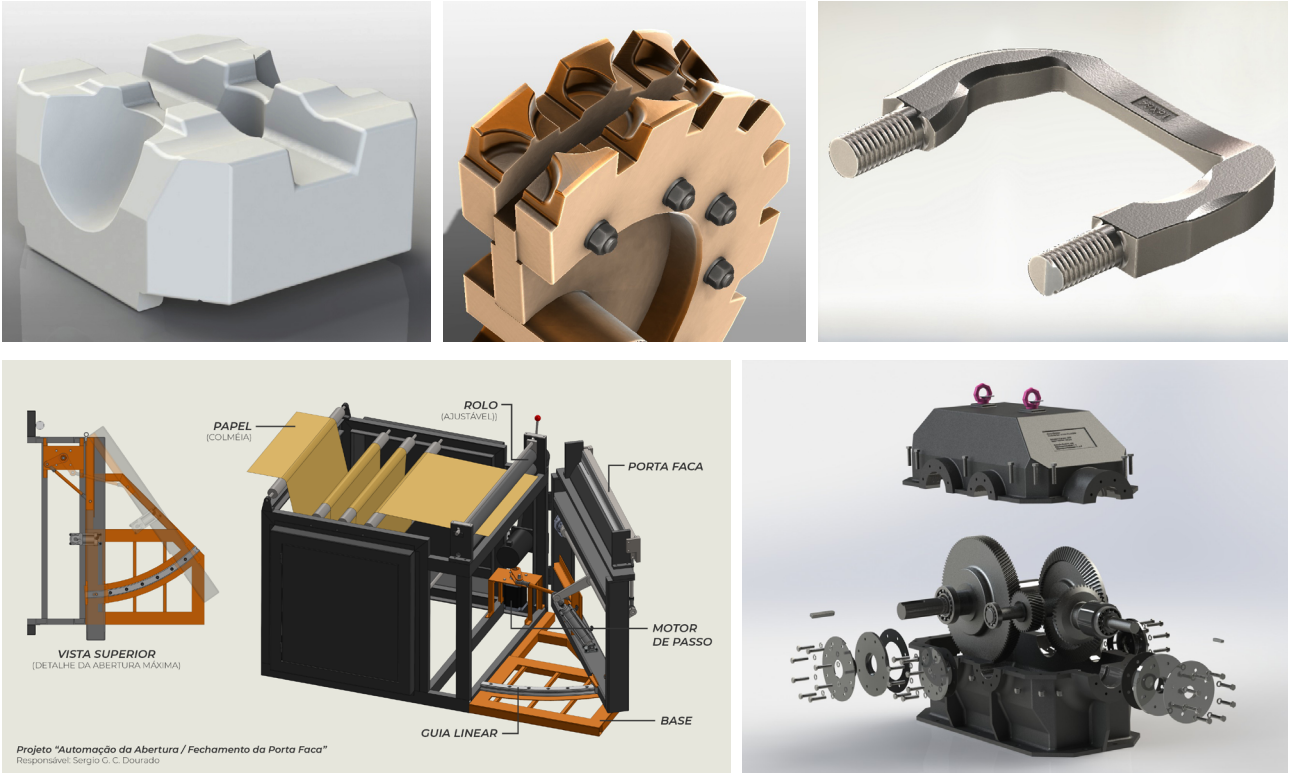
A guide with detailed descriptions of procedures and steps to perform one or more tasks or processes.

# DESIGN / PROJECT

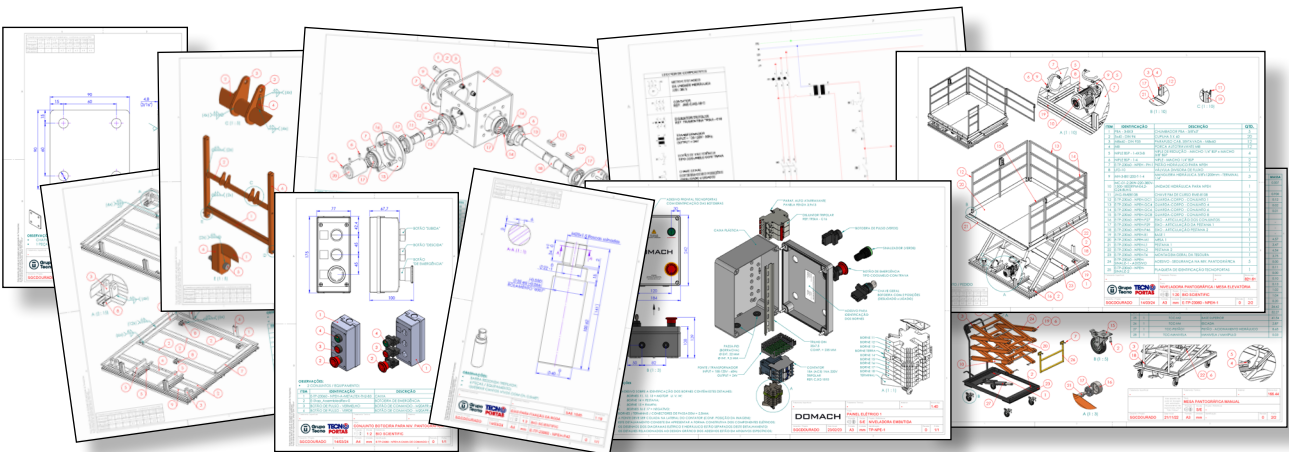


Design / Project is essentially the first stage in product development, as it is necessary to gather dimensional and functional details so that, combined with 3D modeling of parts and assemblies, the project takes shape to be detailed, manufactured, published, and used.

## 3D Modeling



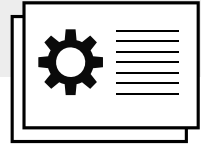
## Technical Detailing



Technical Detailing is the set of specifications required to manufacture or assemble the product. This document includes dimensions, tolerances, bill of materials, tables, and a legend for drawing identification. Additionally, it ensures that all professionals involved are informed about the product and have access to the manufacturing, construction, and assembly details.



# DATA SHEET



The data sheet is a technical document that presents the characteristics, functionalities, specifications, and applications of a product. Primarily used in the pre-sales phase, it helps in selecting the most suitable model, especially when there are variations in dimensions or capacity, ensuring more accurate choices.

Dimensions

Description

Title

Illustrations

Your logo

Note

Website or video

Presentation QR Code

Social Mídia

Identification

Copyright notice

Options Table

## NIVELADORA DE DOCA

### MODELO: EMBUTIDA E (DETALHES DO NICHOS)

O Nicho é uma estrutura metálica para a Embutida Eletro-hidráulica (NEEH) em docas não tem abertura do Fosso. Sendo possível o perpendicular ou paralelos às Docas ou também a 45°, devido a limitação de espaço para estacionar.

**OBSERVAÇÕES:**

- Solda tipo filete com cordão contínuo 6mm
- Caso for necessário, um técnico / homologa instalada para melhor dimensionar a solução

## NIVELADORA DE DOCA

### MODELO: EMBUTIDA ELETRO-HIDRÁULICA (DETALHES DO EQUIPAMENTO)

A Niveladora de Docas Embutida Eletro-hidráulica é um equipamento instalado em docas de Centros Logísticos para compensar o desnível de altura (acive e declive) entre o chão da doca e o veículo durante a operação de carregamento ou descarregamento de produtos, feito por operadores de empilhadeira, paletas e etc.

- Capacidade Nominal de Carga = 6.000 kgf;
- Inclinação máx. para trabalho (acive e declive) = 7°
- Velocidade máx. Trânsito (sob o equipamento) = 10 Km/h;
- Acabamento Superficial = pintada (preto fosco + amarelo segurança)
- Temperatura de Trabalho = de -10° C à +40° C;
- Ruído produzido < 70 db;

TAMANHO	NIVELADORA				ABERTURA			FOSSO		
	MASSA (kg)	NL	NA	LC	α	β	AA	AD	FL	FC
2000 X 2000 X 600	335	2045	600	400	1900	7°	283	283	2050	6
2000 X 2000 X 700	585	700	500	400	1900	7°	293	293	2050	6
2000 X 2500 X 600	615	600	400	400	2420	7°	343	343	2040	2550
2000 X 2500 X 700	645	700	500	400	2420	7°	353	353	2040	2550
2000 X 3000 X 600	705	600	400	400	2900	7°	403	298	3050	6
2000 X 3000 X 700	725	3045	700	500	2900	7°	413	413	3050	6

**OBSERVAÇÕES:**

- Os valores de "MASSA" são aproximados; considere como valor mínimo para dimensionar o dispositivo de içamento;
- A DOMACH observa as seguintes normas para desenvolver os projetos: EM 1398/1998, ABNT NBR 140 12100, NBR 12, NBR 10 e NR-77;
- As imagens são meramente ilustrativas e as especificações técnicas poderão ser alteradas sem aviso prévio, devido ao constante desenvolvimento da DOMACH;
- Para capacidade, dimensões ou acabamento superficial diferente da especificação, consulte a DOMACH, que realizará um estudo de caso e análise de projeto especial;
- Lembrando que todo projeto especial sofrerá impacto com prazo e preço de fornecimento;

DOMACH

facebook.com/domachbrasil

@domachbrasil

youtube.com/domachbrasil

linkedin.com/company/domach

sergio@domach.com.br

**DIREITOS AUTORAIS ©**

Nenhuma parte deste documento pode ser reproduzida ou transmitida sem a permissão da DOMACH.

NV-E-EH-DATASHEET-REV01 (22/09/2023) - FOLHA 01/04

The Data Sheet doesn't necessarily have to be a single page. You can include additional pages, such as instructions and prerequisites for your customer.

DOMACH

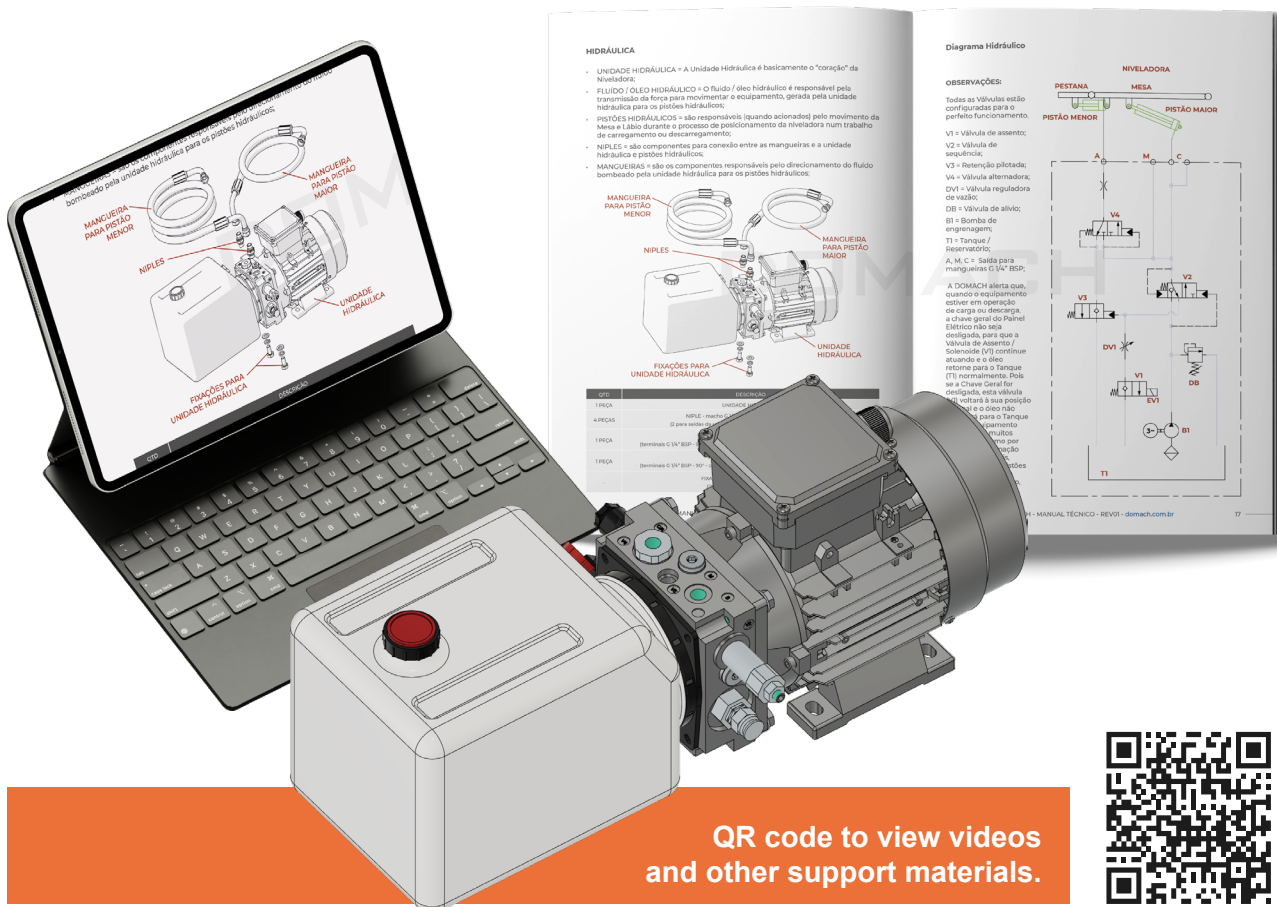
SERVICE CATALOG (REV03 / 2025)

5



The technical manual is the essential documentation that guides the user or installer on the features, operation, maintenance, and troubleshooting of a product. It includes illustrations, diagrams, and safety information, aiming to ensure the safe and efficient use of the product while preventing errors and accidents.

To ensure the confidentiality of your materials, DOMACH provides a copyright certificate (©) for each document developed.



**QR code to view videos and other support materials.**



Providing an adequate technical manual is essential for manufacturers worldwide, not only to ensure compliance with local regulations but also to protect the safety and efficiency of users. International standards require clear information on safety, operation, and maintenance of machinery, and well-prepared manuals help reduce the risk of accidents and legal disputes. Additionally, these manuals improve the customer experience by enabling users to operate equipment efficiently and reducing reliance on technical support. Creating detailed technical manuals also strengthens the product's competitiveness in the market, adding value and differentiating the brand. For companies looking to export, having well-structured manuals facilitates compliance with legal requirements in different countries, ensuring success in global trade.

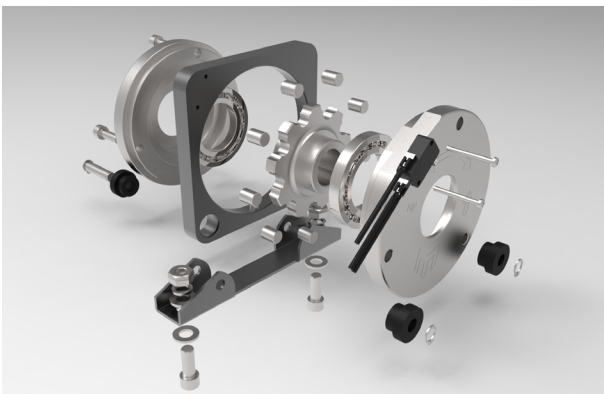
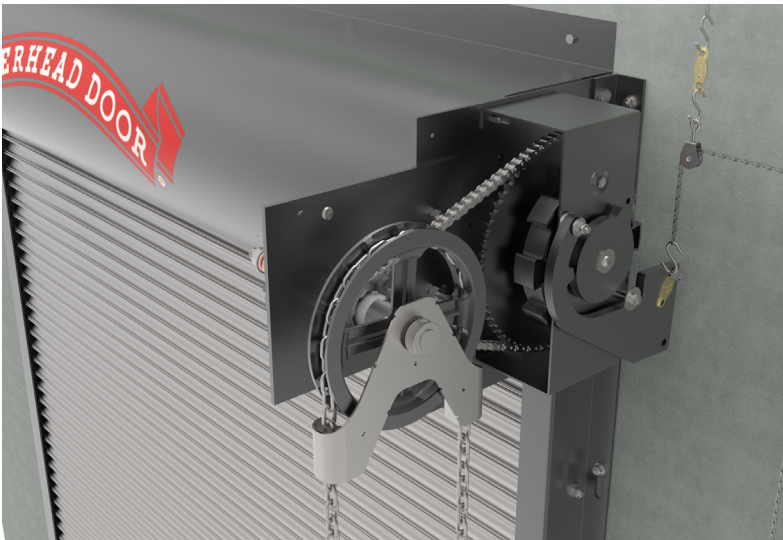
# RENDER



Rendering is the digital process of transforming a 3D model of a product into realistic images. It is essential for providing a detailed and true-to-life visualization of the product, allowing the customer to better understand its features, finishes, and details. Rendering offers an accurate representation, facilitating product presentation and decision-making.



Rendered images can be used in promotional materials, both printed and digital, such as brochures, websites, catalogs, social media posts, and especially for product presentations to your customer.





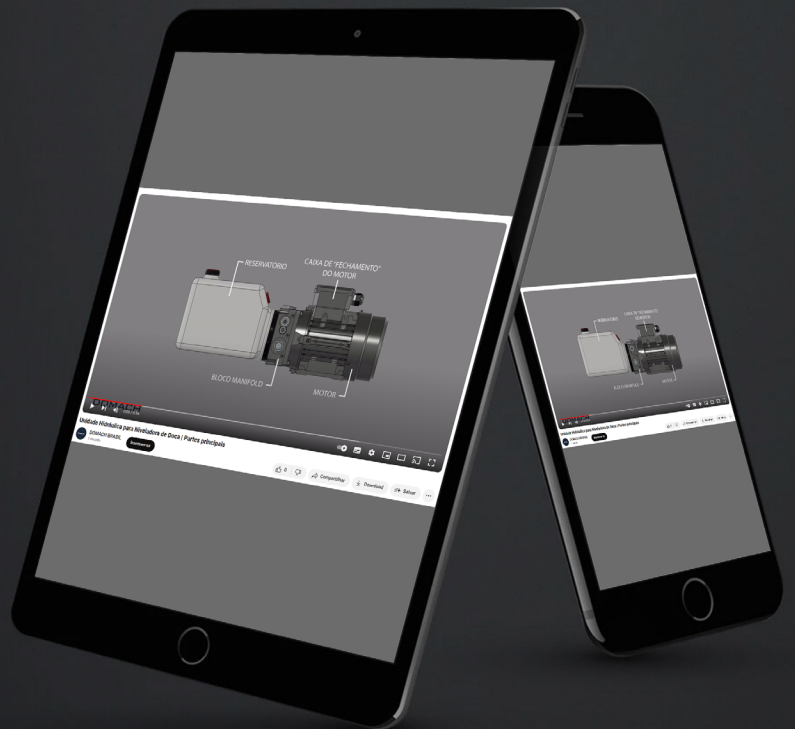
# ANIMATION / VIDEO



Animation and video are processes that transform the 3D model into dynamic representations, showcasing product details, assembly steps, or functionality. These resources are important for clearly and visually illustrating how the product should be used, helping the customer understand complex processes in an interactive and engaging way, which facilitates comprehension and learning.



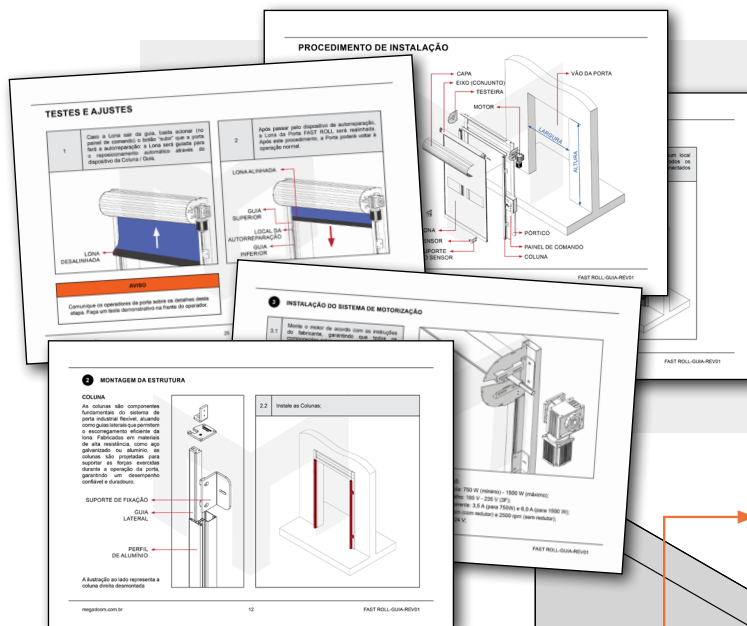
A QR Code (with a link to the video) can be included in the Technical Documentation. This allows the reader to access additional content that enhances their understanding of the product, its functionality, or the installation process.



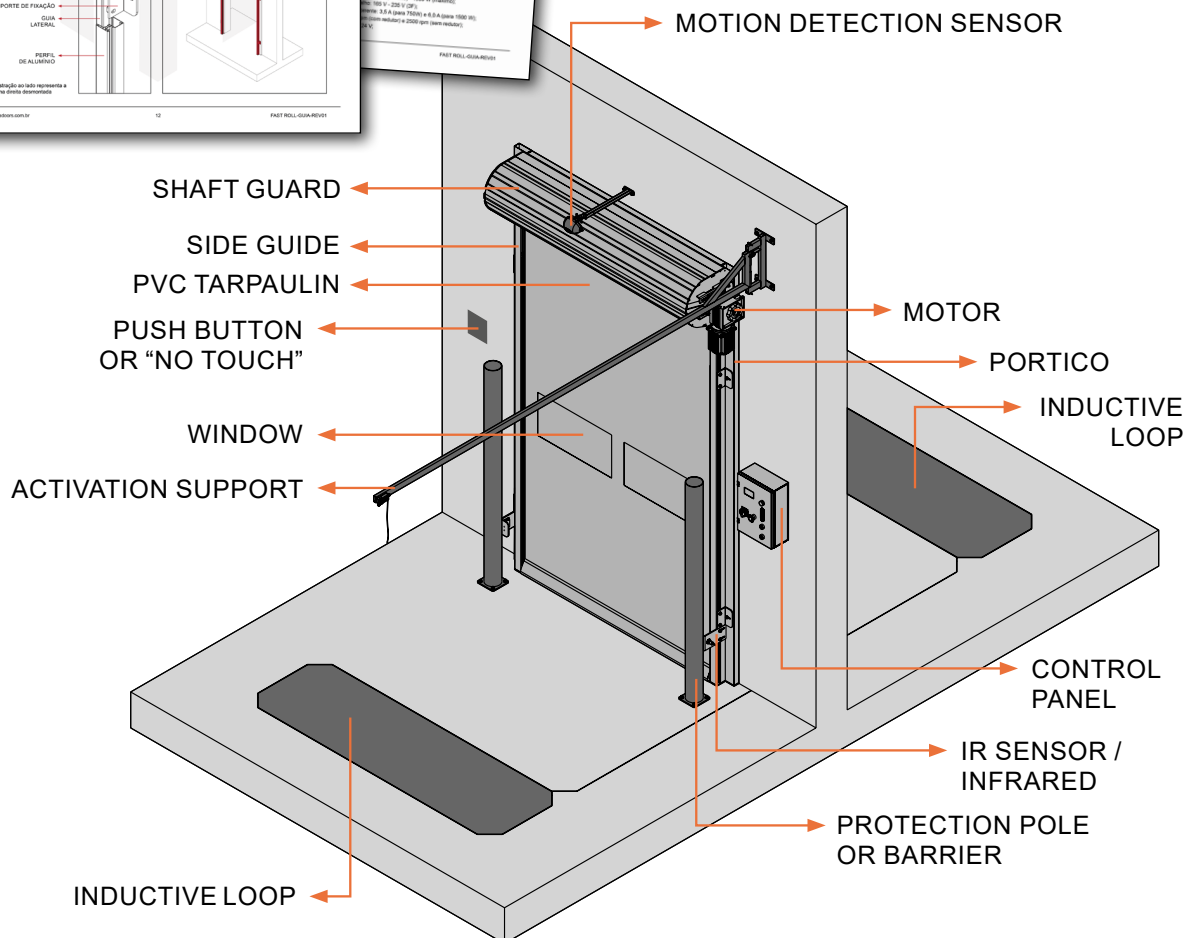
# INSTALLATION GUIDE



The Installation Guide is a technical document that provides detailed instructions on how to properly assemble, install, or configure a product. It is essential to ensure that the product is installed correctly, preventing errors that could compromise its functionality or safety. Its importance lies in offering a clear and accessible step-by-step process, making the installer's job easier and ensuring that the product operates efficiently and safely from the start.



Some manufacturers choose to keep the installation guide separate and exclusive for authorized (certified) personnel, as it contains confidential information and trade secrets. Additionally, this material can also be used for training employees about the product.

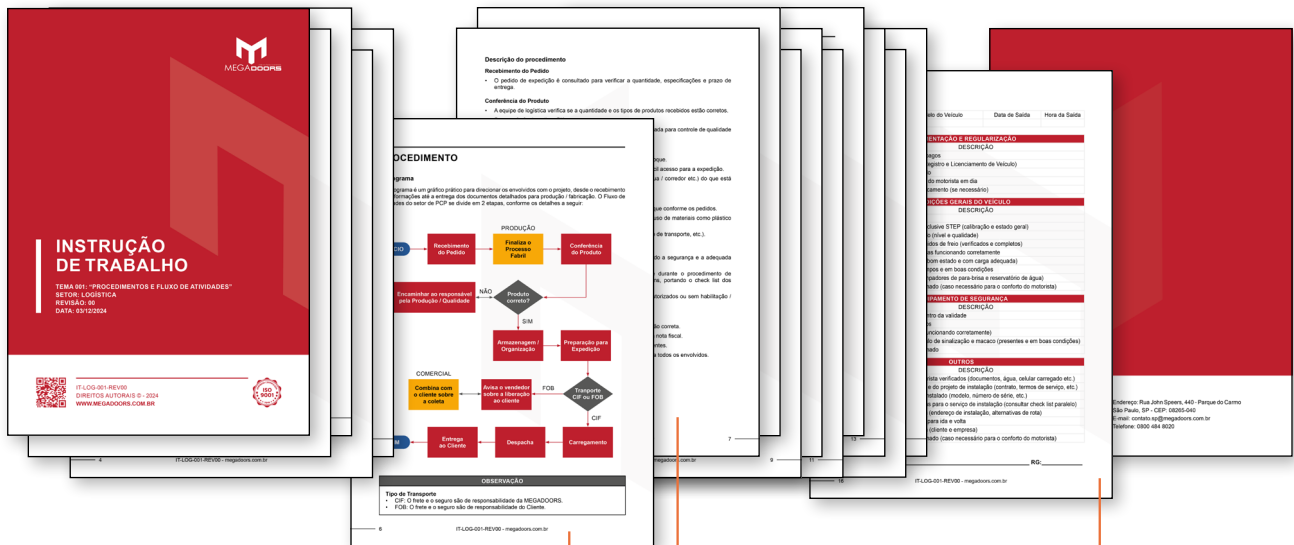




# WORK INSTRUCTION (WI)



The Work Instruction (WI) is a technical document that describes in detail and sequentially the procedures required to perform a specific task, ensuring it is carried out in a standardized and efficient manner. WIs are essential to ensure quality, safety, and compliance in operations, as well as to facilitate team training and reduce errors during the work process.



Activity Flowchart to streamline the routine and sequence of tasks and responsibilities.

Detailed description of the activities, explaining each action and limitations.

Among all the information, it is also possible to include checklists, lists, standards, etc.

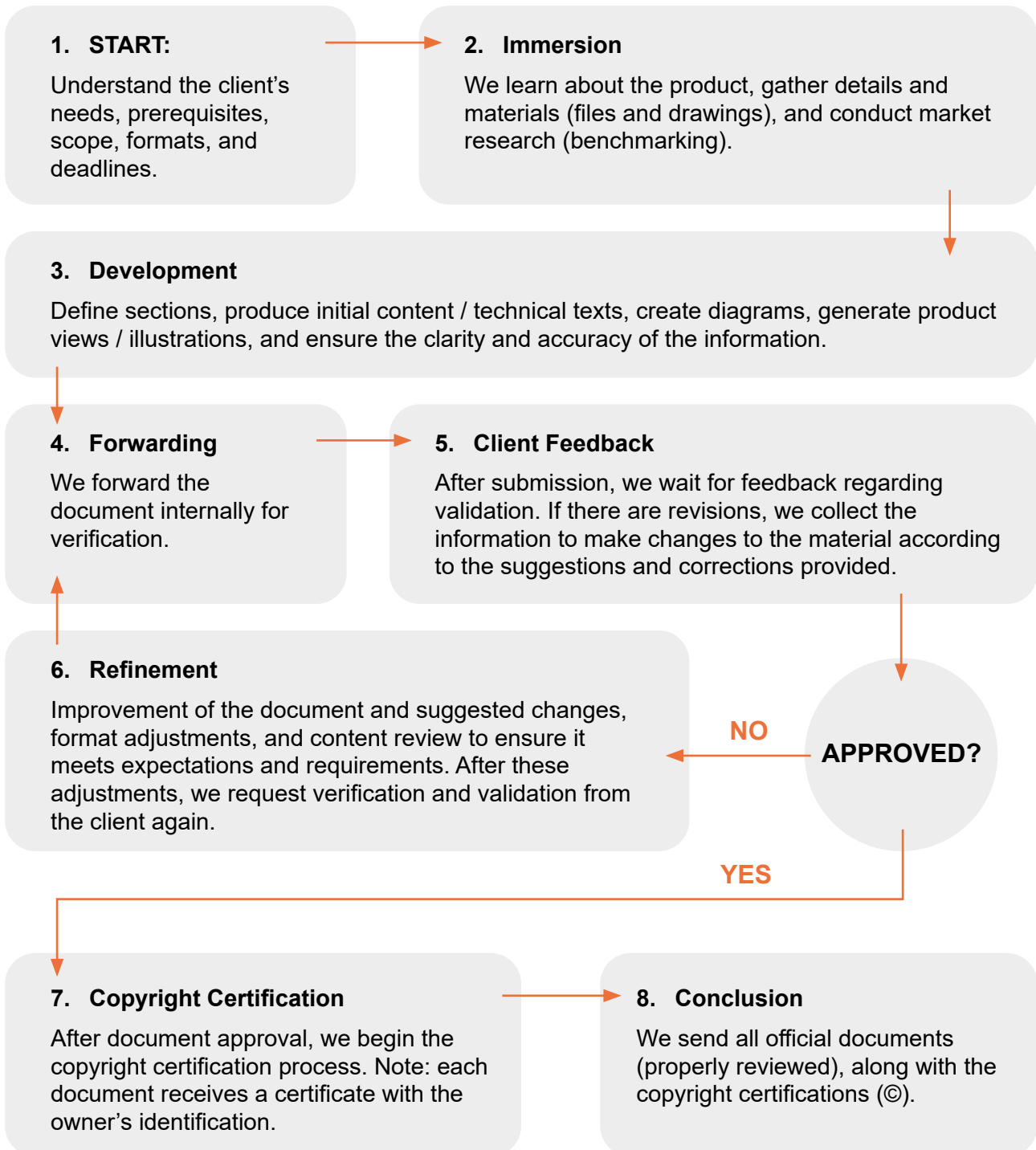
The Work Instruction (WI) is applicable to all departments within your company and is highly recommended to be developed for each of them. It is important to note that, depending on the specificities and needs of each area, it may be necessary to create different WIs to ensure that procedures are followed properly and efficiently.

# ISO 9001

ISO 9001 aims to ensure quality and consistency in processes within an organization. Work Instructions (WIs) are essential in this context, as they provide clear and detailed guidelines for performing activities. This helps standardize processes, minimize errors, and increase efficiency. Additionally, by documenting WIs in a structured manner, the company can meet the control and monitoring requirements set by the standard, ensuring compliance and improving customer satisfaction.

# HOW WE WORK?

A STRUCTURED PROCESS TO ENSURE EFFICIENCY AND QUALITY



# WHY CHOOSE OUR SERVICES?

## TRANSFORM COMPLEXITY INTO CLARITY

In a world where precision and clarity are essential, we offer more than just manuals and guides — we deliver solutions that simplify the understanding and efficient use of your machines and equipment. Our expertise in creating detailed and accessible technical documentation ensures that your users have everything they need to operate with confidence and safety.

By choosing our services, you are investing in 5 key factors:



**Professionalism:** Your customers are greatly satisfied when you provide detailed materials. With a well-crafted manual, customers feel more secure and confident, knowing they have access to crucial information that helps solve problems and maximize product performance. This attention to detail demonstrates the manufacturer's commitment to quality and the success of its customers.



**Enhanced User Experience:** Our manuals, datasheets, and guides are designed to simplify usage and maximize efficiency, reducing doubts and increasing user satisfaction.



**Agility:** Let us, experts in high-quality documentation, develop materials that combine the theoretical and practical experience of your product with beautiful layout and graphic design.



**Safety:** Clear, precise, and secure technical documentation. We offer copyright © certification, protecting you against plagiarism in your market.



**Cost Savings:** Technical documentation can help you save time and resources, as the detailed information allows your customers to avoid frequent post-sales support. Additionally, you can focus your team on what you do best: developing your product with dedication, creativity, and innovation.

**Choose our services to transform technical complexity into an intuitive and effortless experience. Together, we will elevate the quality of your documentation and increase your customers' confidence in your products.**

## TESTIMONIALS

### REAL FEEDBACK AND SATISFACTION

*"We would like to express our immense satisfaction with the services provided by designer Sergio (DOMACH) in the development of the project for our aquarium batteries. We are extremely pleased with the exceptional quality and commitment he demonstrated throughout the entire process. Sergio not only understood our needs but also exceeded them. His deep technical knowledge, combined with innovative ideas, resulted in a project that not only met but surpassed our expectations. The quality of Sergio's work is impressive; every detail was carefully crafted, and the product is not only efficient but also visually appealing."*

**Roberto Silva**  
Business Director at AQUATERRARIO OBRAS LTDA

*"Trusting someone's work when you don't know them can be challenging and cause a lot of insecurity, especially when time is tight.*

*In such moments, recommendations can save faces, deadlines, and projects.*

*Amid millions of messages and files exchanged, with much patience and competence, Sergio (DOMACH) did an exceptional job, handling all the hundreds of modifications and changes that a last-minute project demands.*

*Here is my recommendation and gratitude!"*

**Natália Passarella**  
Director at SINTERCAN

---

### CLIENTS:



Lider em Portas Automáticas

NAVILLE®



# CONTACT US TODAY

## HIRE OUR EXPERTISE IN TECHNICAL DOCUMENTATION.

Get in touch now and discover how we can help improve efficiency, reduce errors, and increase user satisfaction.

If you're reading this in the digital version, click the buttons below to get started:



[domach.com.br](http://domach.com.br)



[sergio@domach.com.br](mailto:sergio@domach.com.br)



+55 (11) 91206-2709



[linkedin.com/company/domach](https://www.linkedin.com/company/domach)



[@domachbrasil](https://www.instagram.com/domachbrasil)



[facebook.com/domachbrasil](https://www.facebook.com/domachbrasil)



[youtube.com/@DOMACHBRASIL](https://www.youtube.com/@DOMACHBRASIL)

**DOMACH**