

# UCF SERIES

Diffuser Submersible Dewatering Pumps



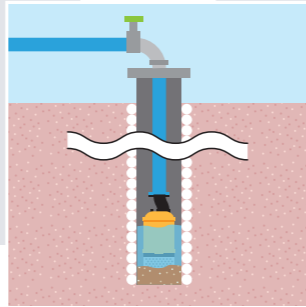
UCF-253A  
(Hose Coupling)



UCF-283A  
(Center Flange)

- The cylindrical and almost straight body brings no trouble in handling the pump.
- The discharge is two types; hose coupling and center flange connection. The model with the center flange connection is vertical in a case of being suspended because its outlet is on the same line as the centerline of the motor. The pumps remain stable without an unbalanced center of gravity.
- The top discharge and the cylindrical water channel provides efficient motor cooling.
- Rubber lining on the casing and the casing cover provides improved wear resistance.
- The impeller is made of ductile cast iron or high chrome cast iron (about 25% chromium) providing excellent wear resistance.
- Sacrificial anode is equipped as standard. It protects the pumps from corrosion.

## Applications



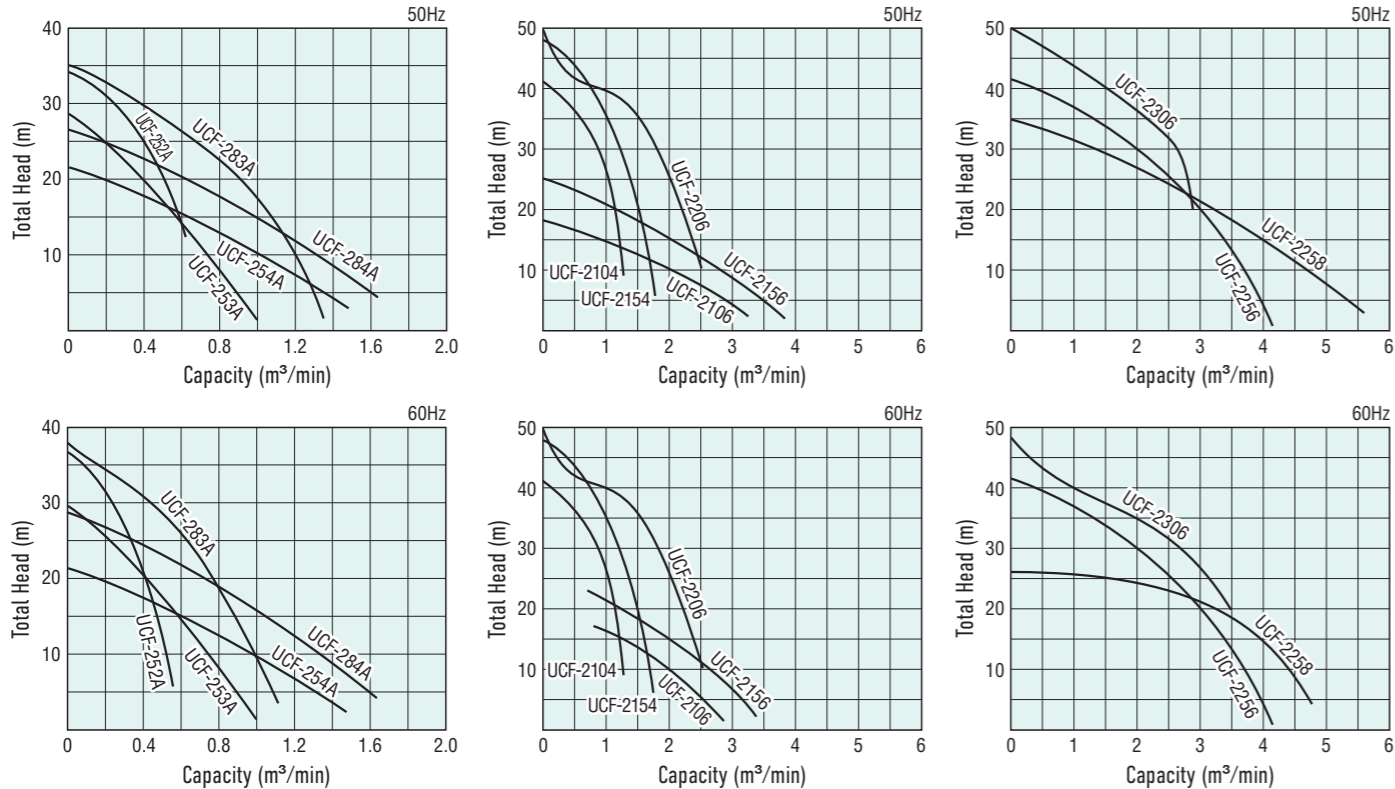
Ground water lowering - deep well and well-point drainage  
Drainage at basements / underpasses / mining sites / in pits

**Option**

- Cable Extension
- Discharge Modification
- Material Change
- Heat Resistant
- Seawater Resistant
- Painting Change
- Lubricant Oil Change

The available options vary depending on the model. For more information, refer to "Option" page 53.

## Performance Curve



## Main Specifications

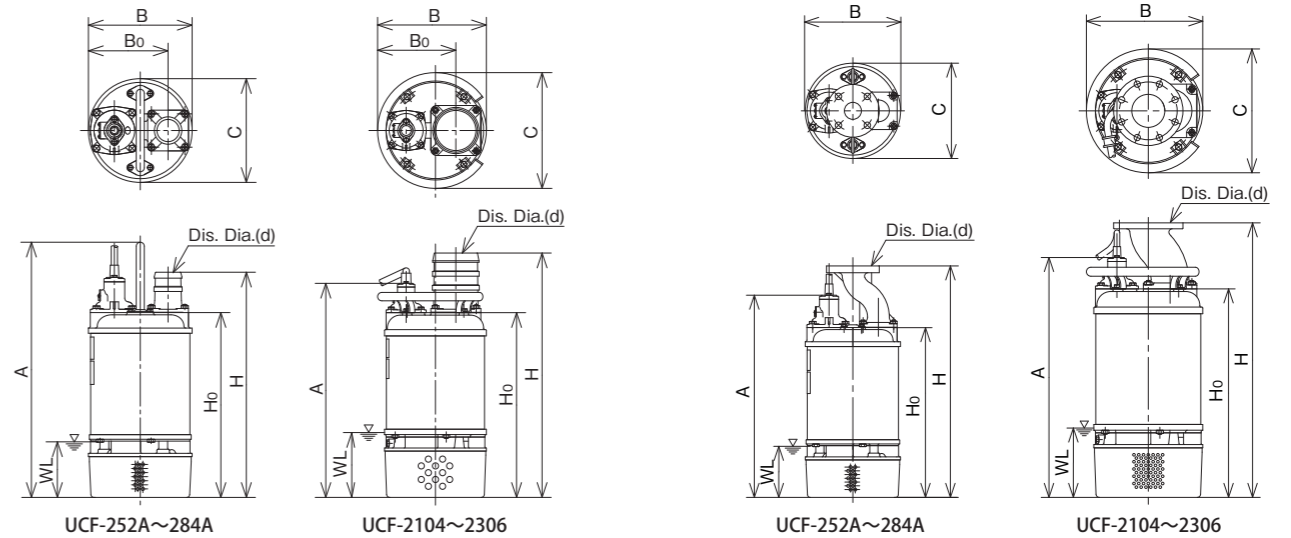
Discharge Diameter (mm)	50	80	100	80	100	100	100	150	150	150	150	200	150
Pump Models	UCF-252A	UCF-253A	UCF-254A	UCF-283A	UCF-284A	UCF-2104	UCF-2106	UCF-2154	UCF-2156	UCF-2206	UCF-2256	UCF-2258	UCF-2306
Motor Output (kW)	3.7	3.7	3.7	5.5	5.5	7.5	7.5	11	11	15	19	19	22
Medium	Rain Water / Spring Water / Muddy Water												
Temperature	Max 40 Degrees Celsius												
Shaft Seal	Double Type Mechanical Seal												
Shaft Bearing	Sealed Ball Bearing												
Impeller	High Chrome										*FCD500	High Chrome	*FCD500
Casing	*FCD500	*RL			*FCAD1200	*RL	*FCAD1200	*RL	*FCAD1200	*RL	*FCAD1200	*RL	*FCAD1200
Type/Pole	Dry Type Induction Motor/2pole												
Insulation Class	B						E			B			
Protector	Auto-Cut												
Frame	*FC200												
Shaft	Stainless Steel												
Discharge Type	Hose Coupling / Center Flange												

\*FCD : Ductile Cast Iron / RL : Rubber Lining / FCAD : Austempered Ductile Iron / FC Cast Iron

## Specifications

Discharge Diameter (mm)	Pump Models	Motor Output		Total Head		Capacity			Starting	Max Solid Through		Weight (without cable)		Cable Length	
		kW	HP	m	ft	m³/min	m³/hr	USGPM		mm	in	kg	lb	m	ft
50 (2)	UCF-252A	3.7	5	30	98	0.2	12	53	DOL	9	0.36	86/90	189/198	10	32.8
80 (3)	UCF-253A	3.7	5	20	66	0.5	30	132	DOL	9	0.36	80/85	176/187	10	32.8
100 (4)	UCF-254A	3.7	5	10	33	1	60	264	DOL	12	0.48	82/90	180/198	10	32.8
80 (3)	UCF-283A	5.5	8	28	92	0.5	30	132	DOL	9	0.36	80/85	176/187	10	32.8
100 (4)	UCF-284A	5.5	8	15	49	1	60	264	DOL	12	0.48	82/90	180/198	10	32.8
100 (4)	UCF-2104	7.5	10	27	89	1	60	264	DOL	8	0.32	113/118	249/260	10	32.8
150 (6)	UCF-2106	7.5	10	10	33	2	120	528	DOL	20	0.8	106/113	233/249	10	32.8
100 (4)	UCF-2154	11	15	35	115	1	60	264	DOL	8	0.32	118/123	260/271	10	32.8
150 (6)	UCF-2156	11	15	15	49	2	120	528	DOL	20	0.8	111/118	244/260	10	32.8
150 (6)	UCF-2206	15	20	25	82	2	120	528	DOL	8	0.32	151/159	332/350	10	32.8
150 (6)	UCF-2256	19	25	30	98	2	120	528	DOL	20	0.8	225/231	495/508	10	32.8
200 (8)	UCF-2258	19	25	15	49	4	240	1,057	DOL	20	0.8	214/224	471/493	10	32.8
150 (6)	UCF-2306	22	30	35	115	2	120	528	DOL	20	0.8	228/231	502/508	10	32.8

The figure in the left of " / " is for Hose Coupling, in the right is for Center Flange.



## External Diagrams (Hose Coupling) (mm)

Pump Models	d	H	H <sub>0</sub>	A	B	B <sub>0</sub>	C	WL
UCF-252A	50	584	499	689	280	215	280	150
UCF-253A	80	609	499	689	280	215	280	150
UCF-254A	100	609	499	689	280	215	280	150
UCF-283A	80	609	499	689	280	215	280	150
UCF-284A	100	609	499	689	280	215	280	150
UCF-2104	100	774	632	727	353	254	375	210
UCF-2106	150	826	632	727	353	254	375	210
UCF-2154	100	741	599	694	353	254	375	210
UCF-2156	150	793	599	694	353	254	375	210
UCF-2206	150	843	649	744	353	254	376	210
UCF-2256	150	901	699	794	430	290	459	250
UCF-2258	200	931	699	794	430	290	459	250
UCF-2306	150	901	699	794	430	290	459	250

WL: Pump Starting Level

## External Diagrams (Center Flange) (mm)

Pump Models	d	H	H <sub>0</sub>	A	B <sub>0</sub>	C	WL
UCF-252A	50	681	499	594	280	280	150
UCF-253A	80	689	499	594	280	280	150
UCF-254A	100	701	499	594	280	280	150
UCF-283A	80	689	499	594	280	280	150
UCF-284A	100	701	499	594	280	280	150
UCF-2104	100	834	632	727	353	353	219
UCF-2106	150	859	632	727	353	353	210
UCF-2154	100	801	599	694	353	353	210
UCF-2156	150	826	599	694	353	353	210
UCF-2206	150	876	649	744	353	353	210
UCF-2256	150	911	699	794	430	430	250
UCF-2258	200	951	699	794	430	430	250
UCF-2306	150	911	699	794	430	430	250

WL: Pump Starting Level