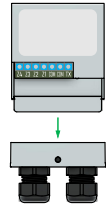


Quick Start: Using Pluvion 2-WIRE to connect 4 Zones from a Sprinkler Timer to the Valves

Pluvion 2-WIRE provides a solution to connect a sprinkler timer to the valves using 2-conductor wiring for 1) New installations, 2) Repair of an existing system, 3) Adding zones without replacing existing sprinkler wiring.

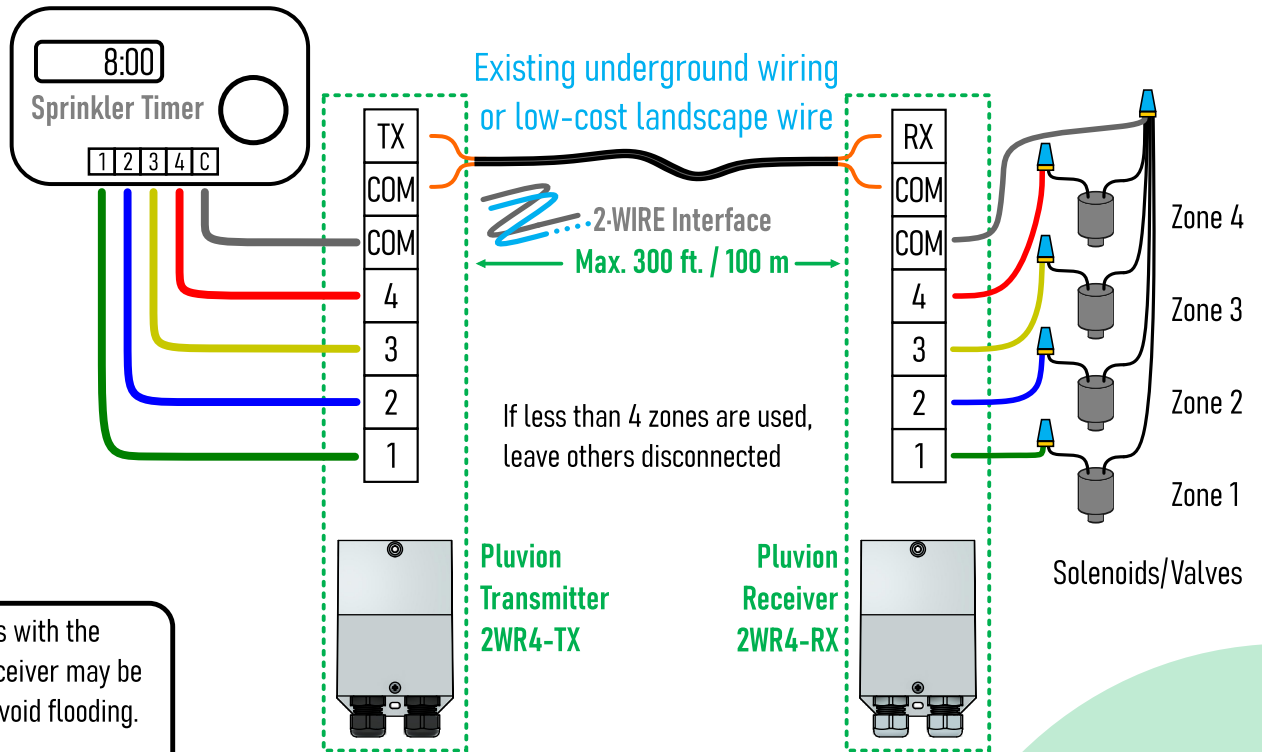
This Quick Start guide will focus on the repair of an existing system with damaged wiring. Please refer to the installation manual for different use cases and important installation instructions of the system.

- 1 Identify the transmitter with BLACK connectors and the receiver with WHITE connectors. Remove the cover of both devices using a Phillips screwdriver.
- 2 Pull the connector base from the board assembly.
- 3 Refer to the wiring diagram on the right for connections to the sprinkler timer and valves. Any wire colors can be used to connect the timer and valves. For the 2-WIRE interface between the transmitter and the receiver, use 2 functional conductors of any color.



- ! Install the transmitter near the sprinkler timer. Install the receiver near the valves.
- ! This is not a wireless product: a 2-conductor wire is required between the transmitter and receiver, either reusing 2 functional conductors in the existing sprinkler wire, or 18/2 landscape wiring.

For outdoor installation ensure a correct orientation of the devices with the connectors facing down. Avoid exposure to standing water. The receiver may be installed in a valve box, as long as it is placed high in the box to avoid flooding.



Tools Needed: For wall mounting:

Reuse existing sprinkler wire if at least 2 conductors are functional, or use 18/2 landscape wire.
Wall mount the transmitter and receiver, or use a snap ring to attach devices to PVC pipes.

SCAN QR FOR INSTALLATION MANUAL v1.10