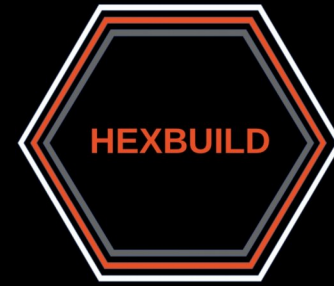




Hexbuild – **Hex**expandables
Magic in a Box



Hexbuild Container Structures



Hexbuild is the leader of China's Light Steel Building Industry. Manufacturing energy saving light steel structure buildings, we are devoted to the research & development, application and popularisation of such structures on a global scale.

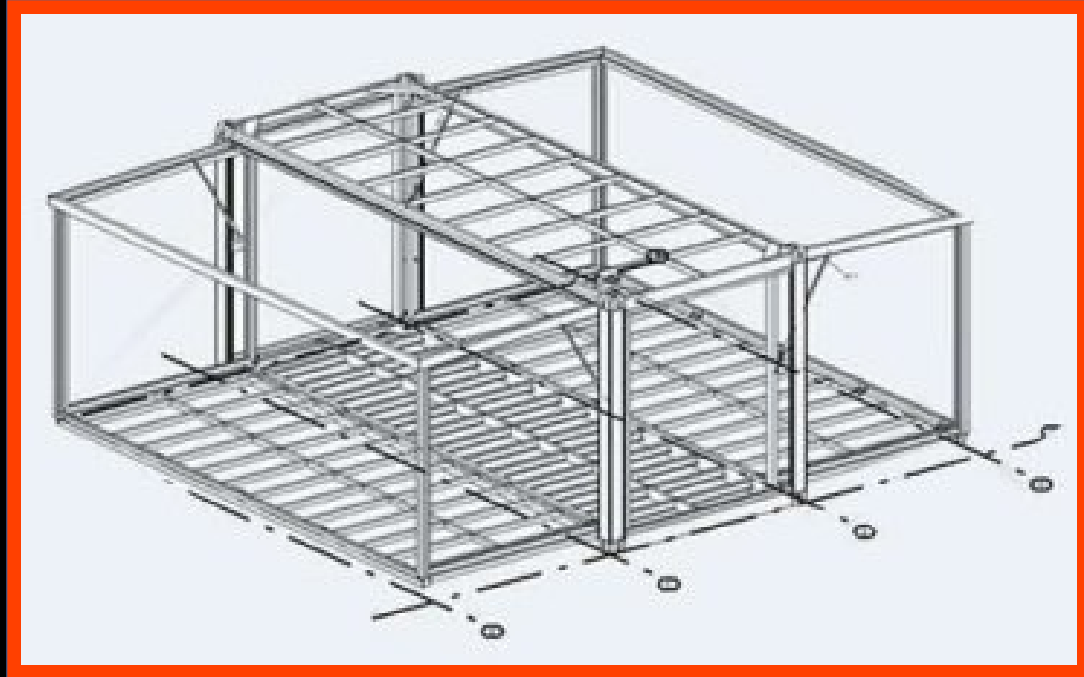
With a hard working team and state of the art working environment. Our structures are very diversified and offer turnkey solutions, attractive exterior designs and finishes and practical interiors. A one stop solution from design to supply.

Hexbuild supply many solutions across prefabricated houses, light steel villas, *container houses*, portable toilets and security staff boxes, office blocks, schools, hospitals and warehouses and expandable housing units.

Our company is committed to providing high-class quality and efficient pre and after sale services, enhancing our reputation with our many customers around the world, including those in Angola, Ethiopia, Nigeria, South Africa, Somalia, Morocco, Russia, Kyrgyzstan, United Arab Emirates, Saudi Arabia, Iran, Iraq, Peru, Maldives, Vietnam, United States of America, Malaysia etc.

We have assembled a team of high quality trained professional technicians and on-site installation teams, providing customers with a full, complete service from project concept to design, manufacture, construction to final installation. We ensure through our 25 years of experience building these structures, to offer our customers the most scientific and effective solutions to their requirements.

Expandable Units



Hexbuild – Hexexpandable Container Housing

The expandable container house, is one of our most popular designs. Constructed with high insulation properties and manufactured to a high specification. Several size options and flexible internal configurations are available. Supplied empty or with rooms and bathroom fitted. Two of our introduction sized units can be loaded into 1 x 40' High Cube container. The smallest option expands to 37m² or approximately 2.5 times the size of a single container unit. Uses can include housing, holiday homes, mobile clinics, classrooms, site offices and workers camp accommodation.

Qualifications: CE, ISO9001, ECM, ISO, Australian Standard Certification, Glass Wool Test Reports.







Sustainability

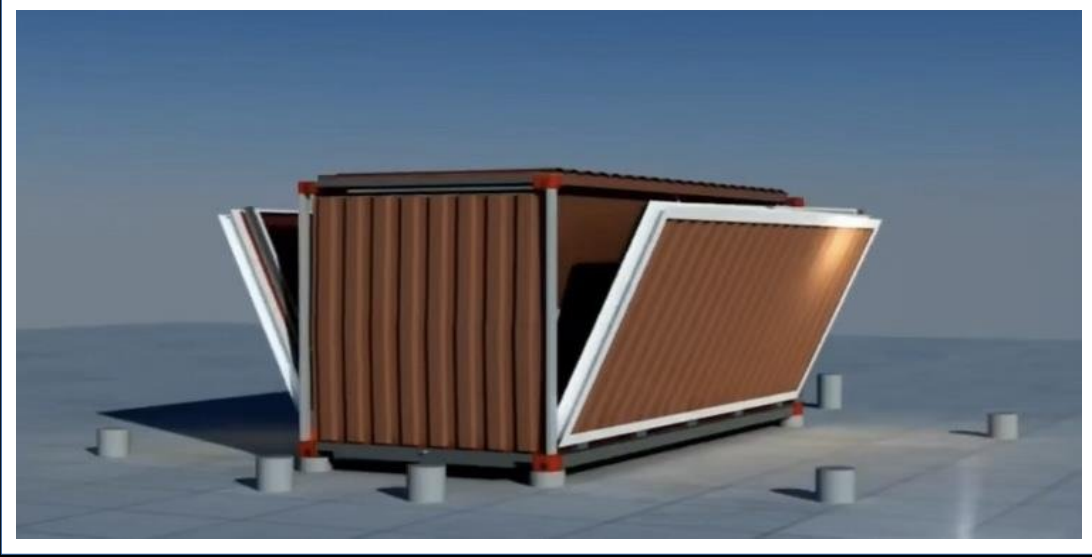


HEXBUILD also recognise our responsibilities to the environment and we utilise, wherever possible, the most eco-friendly materials to construct our structures.

We also offer solar power solutions, designed specifically for each individual building and a customers specific usage requirements.

SUSTAINABLY BUILT & ECO FRIENDLY

The Journey Unfolds



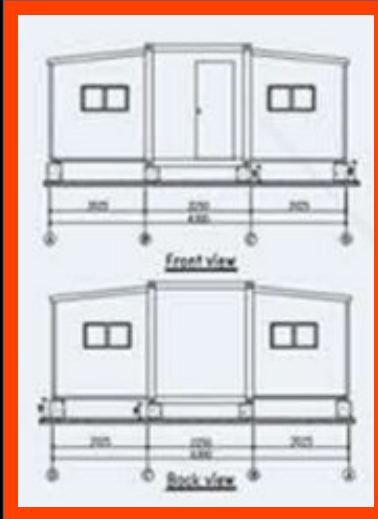
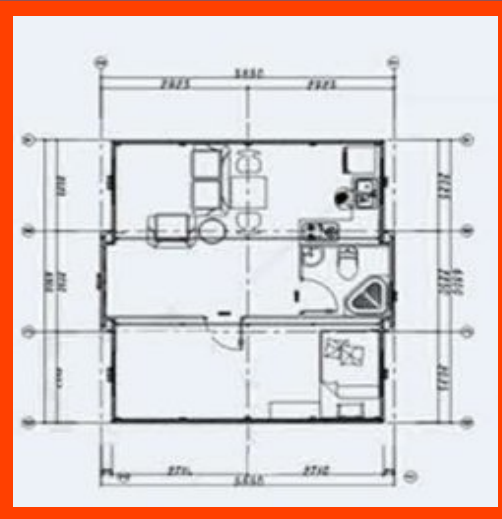
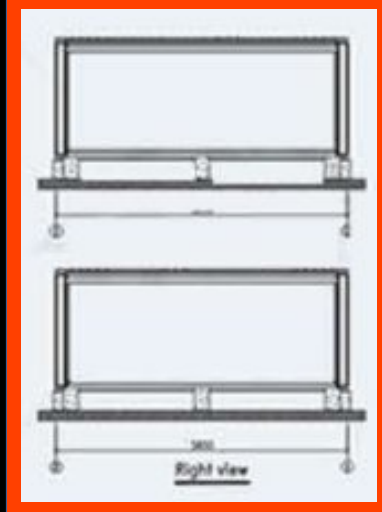
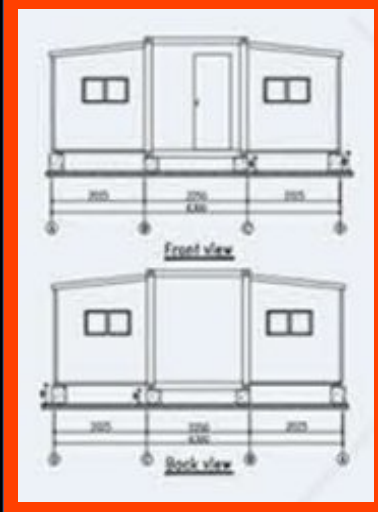
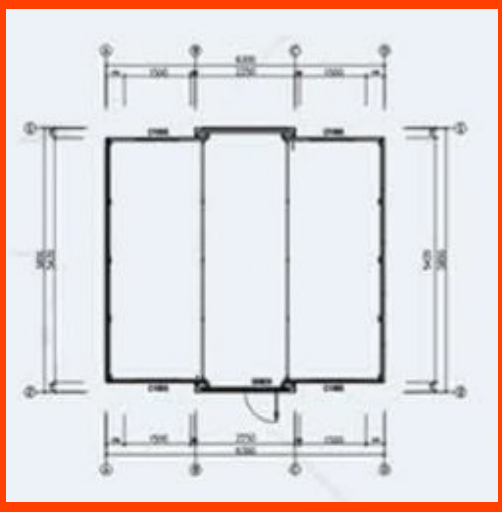


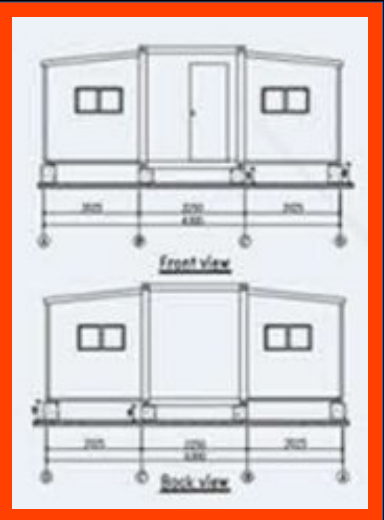
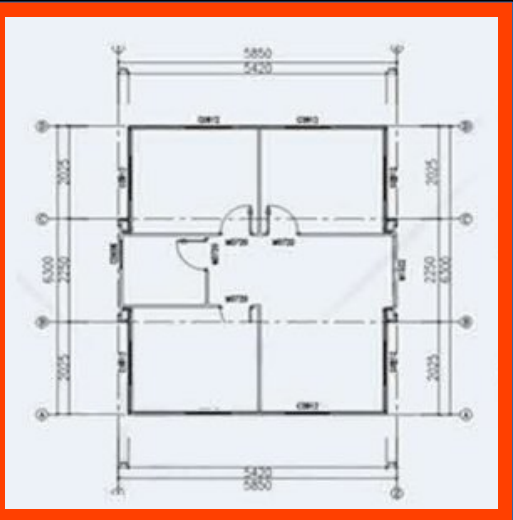
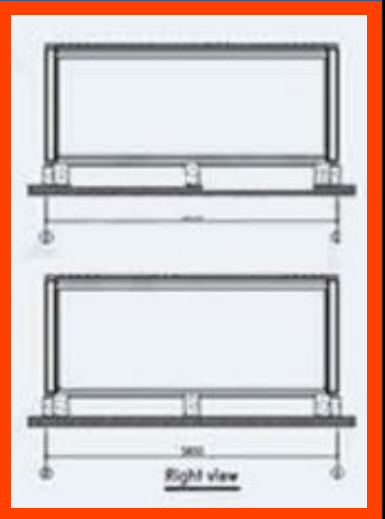
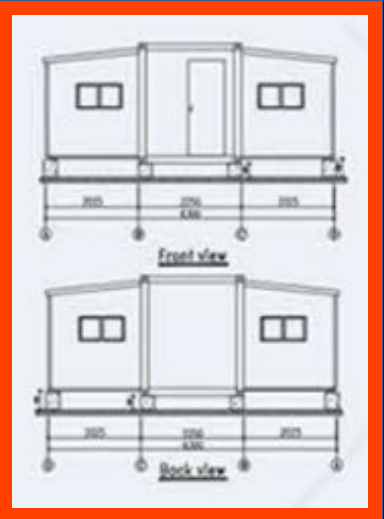
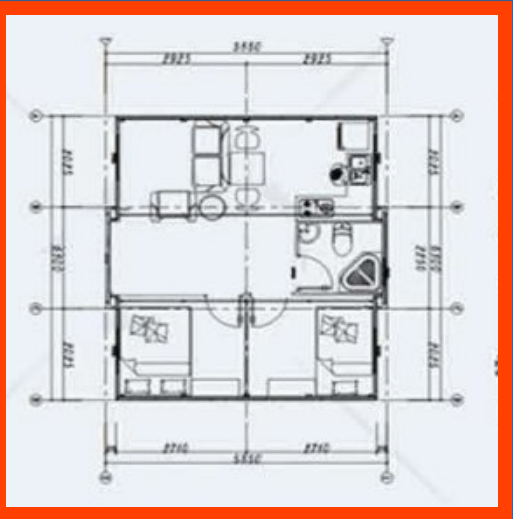






Available Layouts





Interiors



Case Study - USA



Two bedrooms & One bathroom

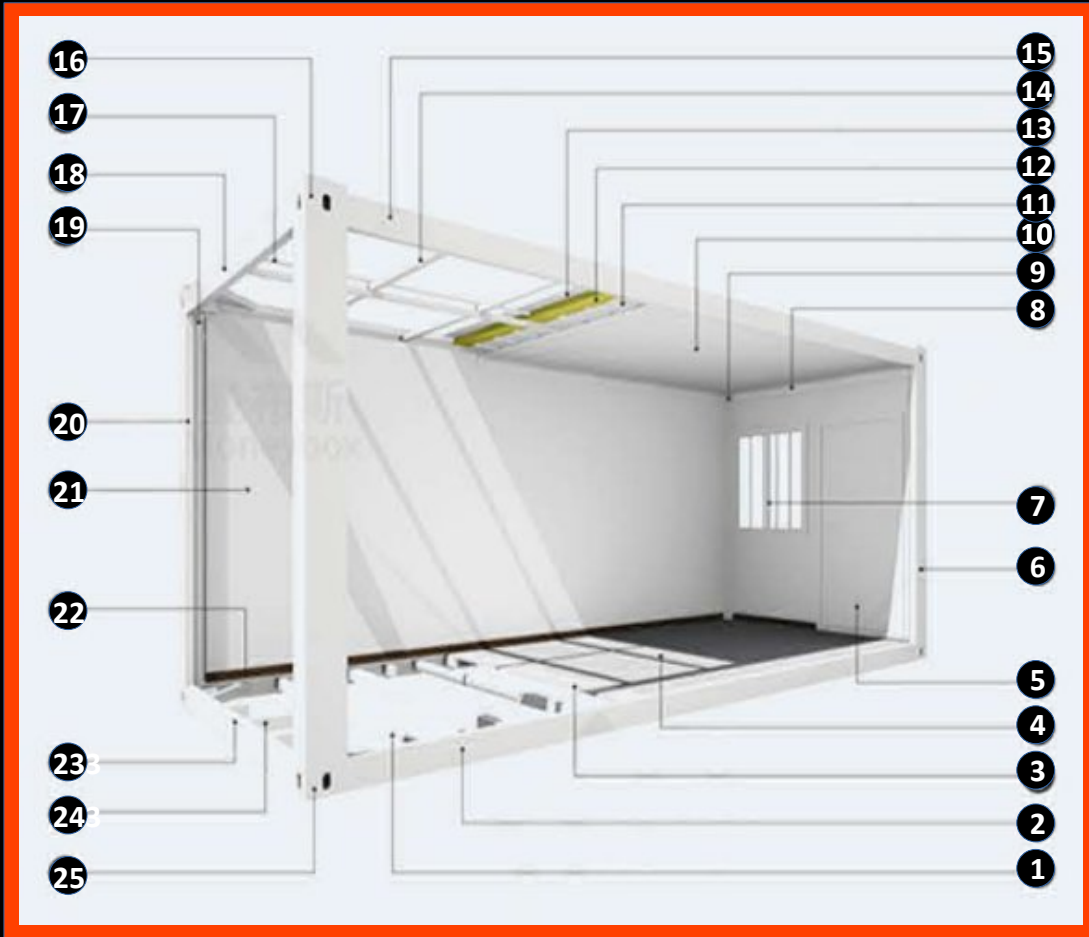
www.hexbuild.com

Case Study - USA



Case Study - USA





- | | |
|---|---|
| 1 Bottom Cross Beam 80 x 80 x 1.8mm, 80 x 40 x 1.8mm Galvanized Steel | 14 Top Cross Beam 80 x 40 x 1.5mm Galvanized Steel |
| 2 Bottom Beam 160 x 3.0mm, Galvanized Steel | 15 Top Beam 160 x 3.00mm Galvanized Steel |
| 3 18mm Fibre Cement Board | 16 Top Corner Fitting, 200 x 160 x 210 x 4mm |
| 4 1.6mm PVC Floor Leather | 17 Top Cross Beam 80 x 4 x 1.5mm Galvanized Steel |
| 5 Steel Door 840 x 2,040mm | 18 Top Beam 160x2.5mm Galvanized Steel |
| 6 Corner Fitting, 160 x 210 x 160 x 4mm | 19 5mm PVC Downspouts |
| 7 UPVC Window, Double Glass 5+9A+5 800 x 1,100mm with mosquito netting | 20 Angle Steel Pillar, 210 x 160 x 2.75mm Galvanized Steel |
| 8 Inside Trim, 0.426mm Steel Sheet | 21 50mm EPS Sandwich Panel 0.376mm Steel Sheet |
| 9 Inside Trim, 0.426mm Steel Sheet | 22 PVC Skirting |
| 10 0.476mm Steel Sheet Ceiling | 23 Bottom Beam 160 x 3.5mm, Galvanized Steel |
| 11 Middle Strong Steel Plate, 0.326 Steel Sheet | 24 Bottom Cross Beam 80 x 40 x 1.8mm Galvanized Steel |
| 12 100mm Glass Wool 16kg/m2 | 25 Bottom Corner Fitting 160 x 210 x 160 x 4.0mm |
| 13 Galvanized Steel Plate 0.476 Steel Sheet | |

Hexbuild – Container system construction



- * Wind Resistant
- * 100% Waterproof
- * Earthquake Resistant
- * Fast & Easy Assembly
- * Durable & Long Lifespan
- * Rust & Corrosion Resistant

Packing & Shipping



Delivering The Project- Important Points To Be Addressed:

The Hexbuild Team are always on hand to make the selection of which structure best suits a customer's particular requirements for any project and in order for us to facilitate speedy and smooth progress, we need to address the points as listed below.

General Issues

- ★ **Landscaping issues and aesthetic appeal on site.**
- ★ **Is the building selected the ideal one for the proposed use by the customer.**
- ★ **Is there a possibility that the customer will wish to add to the Hexbuild structure in the future?**
- ★ **Proposed site layout with regard to existing buildings & finishes required to match other local buildings.**
- ★ **Precise details of customers required layout and exterior and interior finish of Hexbuild structure with illustrative photos from customer of finishes if possible.**

Access to Build Site

- ★ **Access for container lorry to site/or close to site.**
- ★ **Consider possibility of over-lift of the Hexbuild structure to the site.**
- ★ **Distance from proposed site of the Hexbuild structure to the access road.**
- ★ **If the proposed site is to the rear of any building, is there access to the site, and what is the width/height of that access.**
- ★ **Possible Health and Safety Issues/Hazards – Overhead power cables/Public safety concerns/Local Hazards/Traffic conditions/Security on site.**



Utilities

- ★ Availability of access to deliver/install septic tank
- ★ Local Authority restrictions in connecting to utilities.
- ★ Position of possible sewer connection/site for septic tank
- ★ Quality of supply (Water pressure/Electricity Ampere's available).
- ★ Possibility of customer wanting to enlarge the supplied Hexbuild structure in the future.
- ★ Location of mains water/electricity/sewage and distance from the Hexbuild structure proposed final site.

Hexbuild – Hexexpandables
Magic in a Box

CONTACT US

Hong Kong & United Kingdom:

Peter Hurst

TEL: +852 93073664 (Hong Kong)

TEL: +44 (0) 77439 48674 (UK)

Email: peterhurst@hexbuild.com

United Kingdom & Global:

Frank Daly

TEL: +44 (0) 7775 694157

Email: frank@hexbuild.com
orderlineglobal@gmail.com

PDQ HK Limited.
Units 2804-07, 28th Floor,
Man Yee Building,
68, Des Voeux Road Central,
Hong Kong.

COMPANY NUMBER 1595036.

www.hexbuild.com

