

SAMPLE PROJECT GLASS WINDSCREEN AND GATES

1234 STREET ADDRESS
CITY, ST 12345

COMPANY
LOGO
HERE

COMPANY ADDRESS
CITY, STATE 12345
PHONE (123) 456-7890
www.companywebsite.com

STAMPS

MATERIAL LIST

MFR.	MODEL	TYPE	FINISH	GLASS	EXT/INT	NOTE
CRL	AWS	ALUMINUM WINDSCREEN SYSTEM	MATTE BLACK	GL1T	EXT	RECTANGULAR ALUMINUM POST WINDSCREEN SYSTEM W/ 2" X 2 5/8" POSTS @ 6'-0" HEIGHT
CRL	ARS	ALUMINUM FRAMED GATE	MATTE BLACK	GL1T	EXT	ALUMINUM FRAMED GATE W/ 10" BOTTOM RAIL @ 6'-0" HEIGHT

SCHEDULE:

POOL GATES

MARK	HW SET	HINGE SIDE	DOOR SWING	GLASS TYPE	NET GATE OPENING
G-3.A	PG1	LEFT	OUT	GL1T	3'-2" X 6'-0"
G-3.B	PG1	RIGHT	OUT	GL1T	3'-2" X 6'-0"
G-3.C	PG1	LEFT	OUT	GL1T	3'-2" X 6'-0"
G-3.D	PG1	RIGHT	OUT	GL1T	3'-2" X 6'-0"
G-3.E	PG1	LEFT	OUT	GL1T	3'-2" X 6'-0"

NOTE: GATE OPENING WIDTH TO BE 3'-2" TYP., TO ALLOW FOR +2'-10" CLEAR OPENING WHEN IN A 90° OPEN POSITION

GLASS TYPES

TYPE	THICKNESS	DESCRIPTION
GL1T	3/8"	3/8" CLEAR TEMPERED GLASS W/ FLAT POLISHED EXPOSED EDGES

HARDWARE SET:

PG1

QTY	PART NO.	DESCRIPTION	FINISH	MFR
2	TCHD1BL	HEAVY-DUTY ADJUSTABLE GATE HINGE	BLACK	CRL
1	AR74R1DU	RIM DEVICE STRIKE 12/24 VDC	DKBRZ	ADAMS RITE
1	AR74HBL	ELECTRIC STRIKE HOUSING	BLACK	ADAMS RITE
1	35AEO3313	RIM EXIT DEVICE - EXIT ONLY 36" SMOOTH	DKBRZ	VON DUPRIN
1	360L613	LEVER LOCK TRIM LESS CYLINDER	DKBRZ	CRL
1	DC7015SC8KDSC	RIM CYLINDER	SATIN	CRL

NOTE: DARK BRONZE ANODIZED FINISH TO BE PROVIDED FOR HARDWARE WHERE MATTE BLACK IS NOT AVAILABLE

GENERAL NOTES

ALL DIMENSIONS TO BE FIELD VERIFIED BY INSTALLING CONTRACTOR PRIOR TO FABRICATION

CAULKING TO BE: SAMPLE ONLY; NOT FOR USE

ARCHITECTURAL SET: SAMPLE ONLY; NOT FOR USE

DRAWING INDEX

C1 COVER SHEET
P1 FLOOR PLAN SHEET
E1-E3 ELEVATION SHEETS
D1-D5 DETAIL SHEETS

NOTE: SAMPLE ONLY; NOT FOR USE

LEGEND

R.O. ROUGH OPENING
F.D. FRAME DIMENSION
O.A. OVERALL
D.L.O. DAYLIGHT OPENING
D.O. DOOR OPENING
N.T.S. NOT TO SCALE
F.F. FINISH FLOOR
O.H. OPPOSITE HAND
EQ. EQUAL
V.I.F. VERIFY IN FIELD
B.O. BY OTHERS
I.G.U. INSULATED GLASS UNIT
G.D. GLASS DIMENSION
E.T.R. EXISTING TO REMAIN

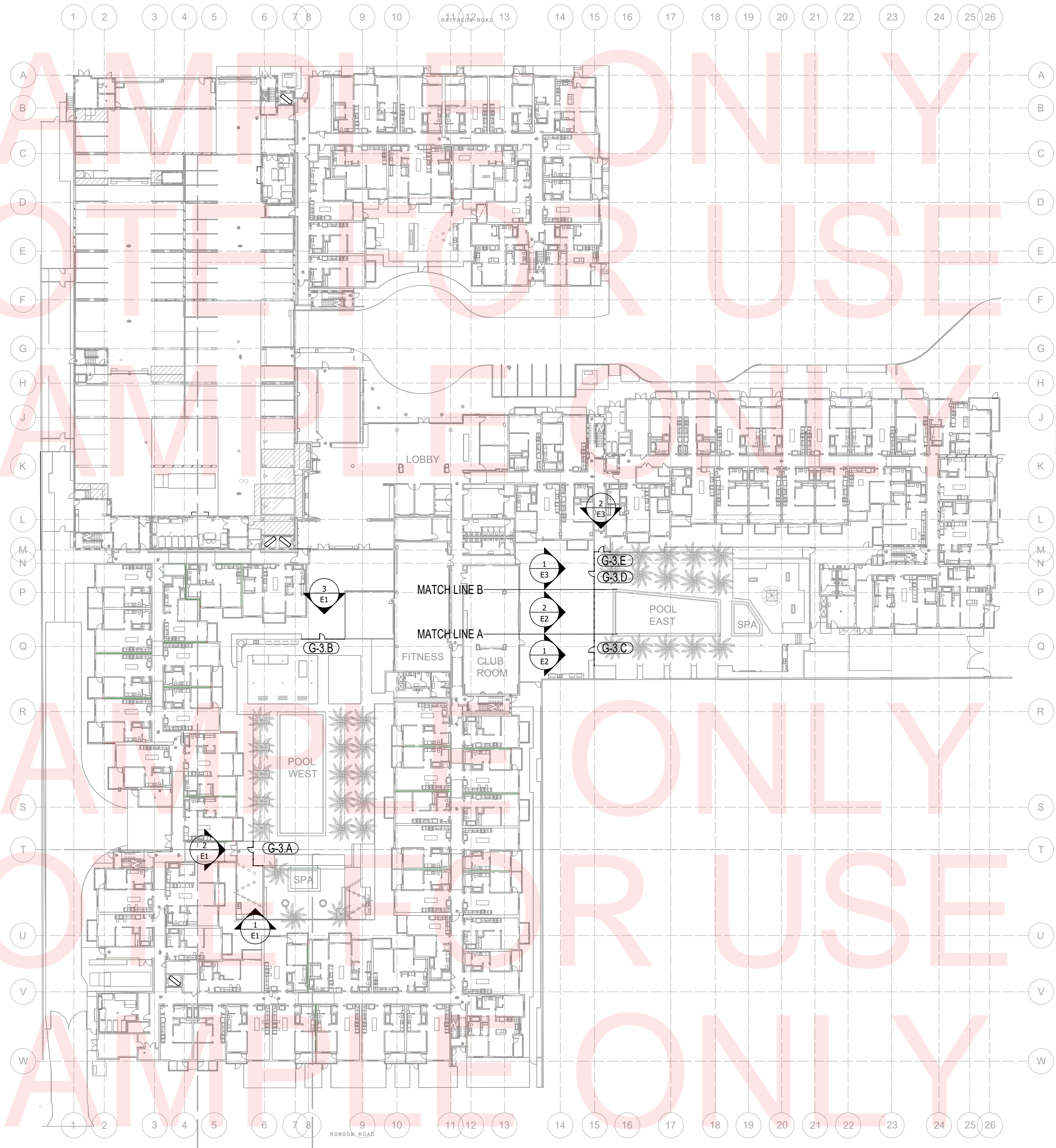
PROJECT NAME
PROJECT ADDRESS
CITY, STATE 12345

REVISION:

- 1.
- 2.
- 3.
- 4.
- 5.

PROJECT NR: 12345
DATE: 00-00-2000
DRAWN BY: XX
CHECKED BY: XX
SCALE: AS NOTED
SHEET NUMBER:

C1



COMPANY LOGO HERE

COMPANY ADDRESS
CITY, STATE 12345
PHONE (123) 456-7890
www.companywebsite.com

STAMPS

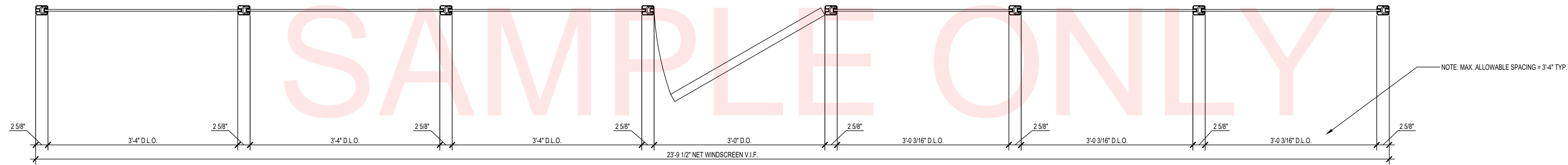
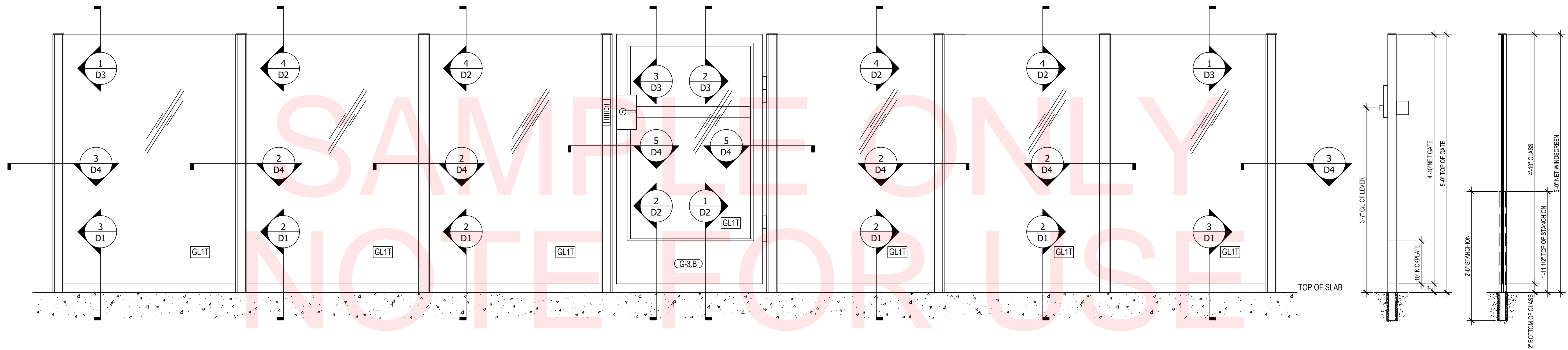
PROJECT NAME
PROJECT ADDRESS
CITY, STATE 12345

REVISION:

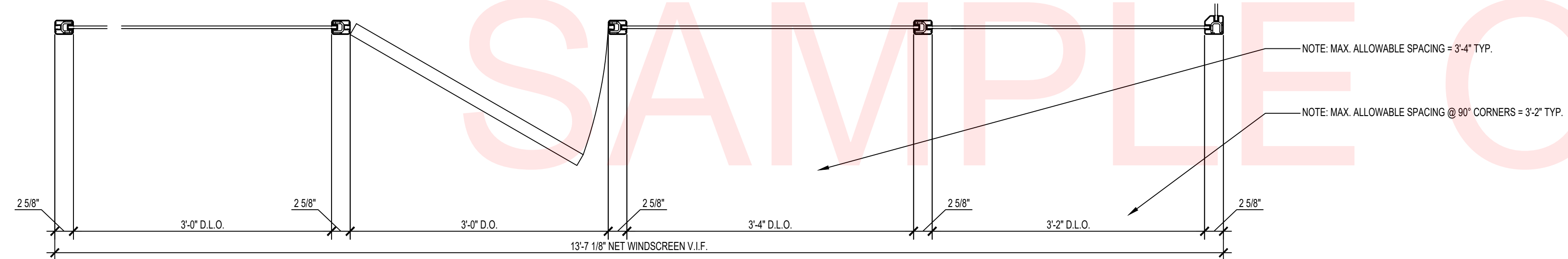
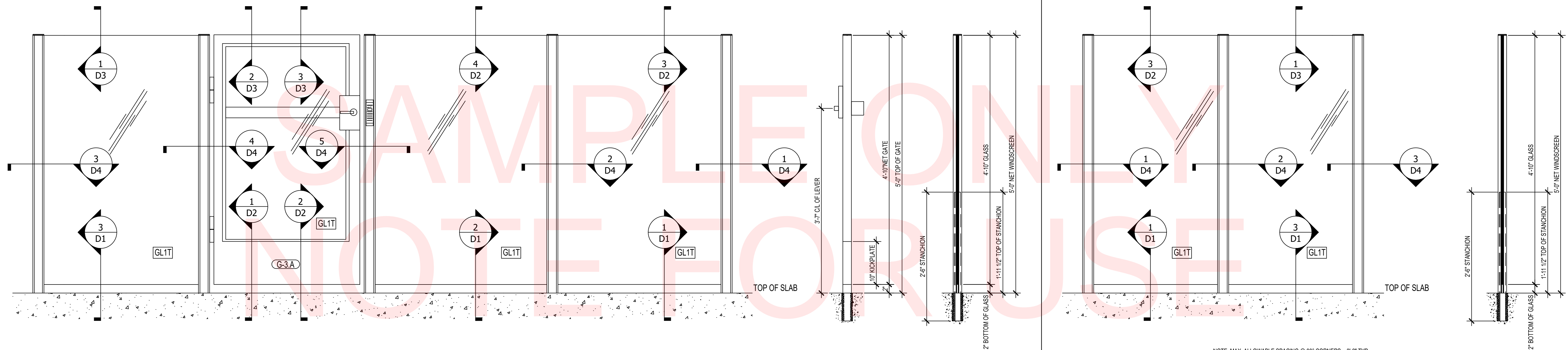
- 1.
- 2.
- 3.
- 4.
- 5.

PROJECT NR: 12345
DATE: 00-00-2000
DRAWN BY: XX
CHECKED BY: XX
SCALE: AS NOTED
SHEET NUMBER:

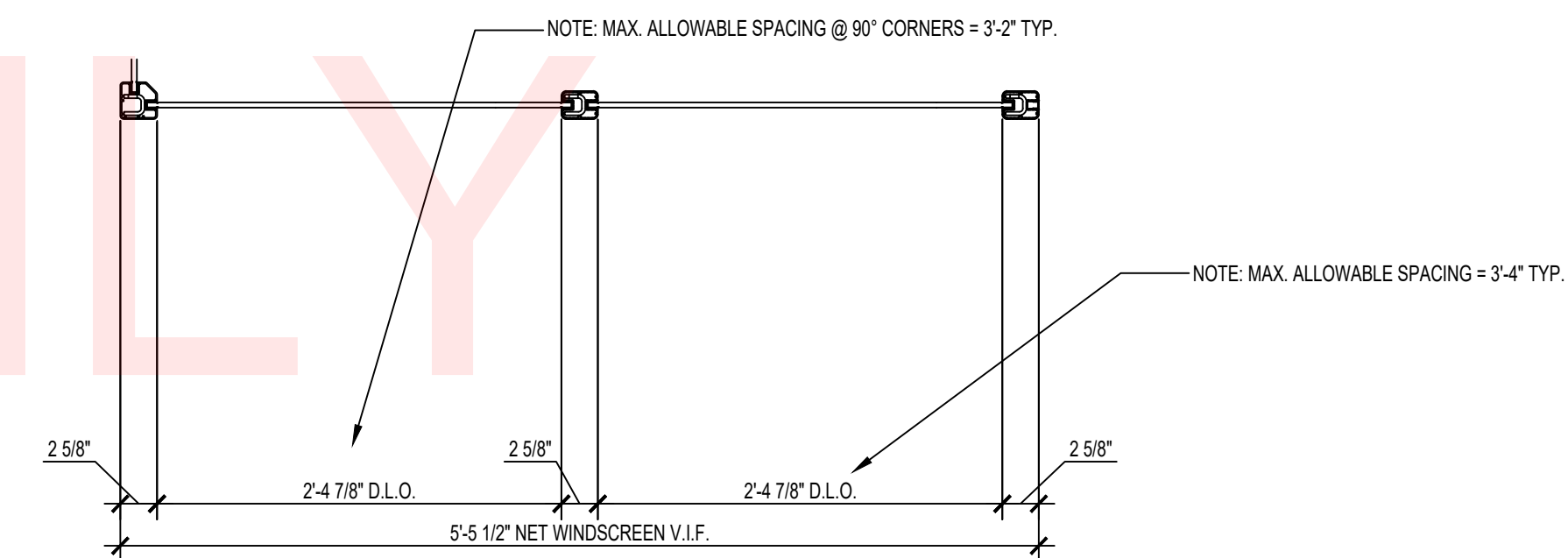
P1



ELEVATION - NORTH @ POOL WEST
SCALE: 1" = 1'-0" **3**



ELEVATION - WEST @ POOL WEST
SCALE: 1" = 1'-0" **2**



ELEVATION - SOUTH @ POOL WEST
SCALE: 1" = 1'-0" **1**

COMPANY
LOGO
HERE

COMPANY ADDRESS
CITY, STATE 12345
PHONE (123) 456-7890
www.companywebsite.com

STAMPS

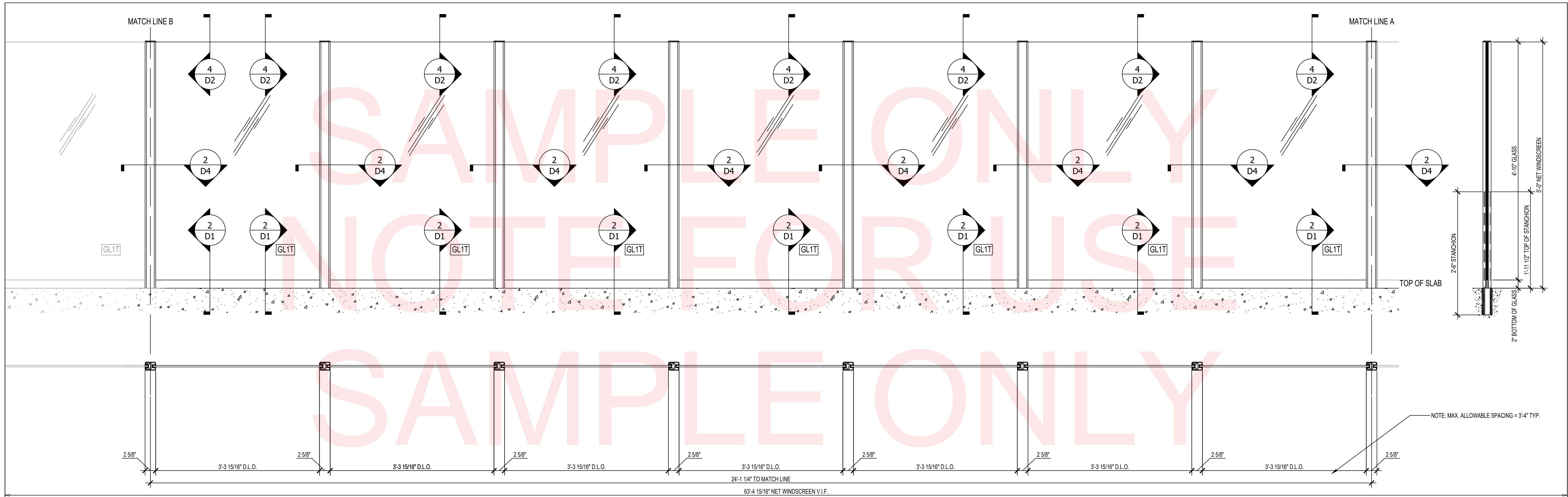
PROJECT NAME
PROJECT ADDRESS
CITY, STATE 12345

REVISION:

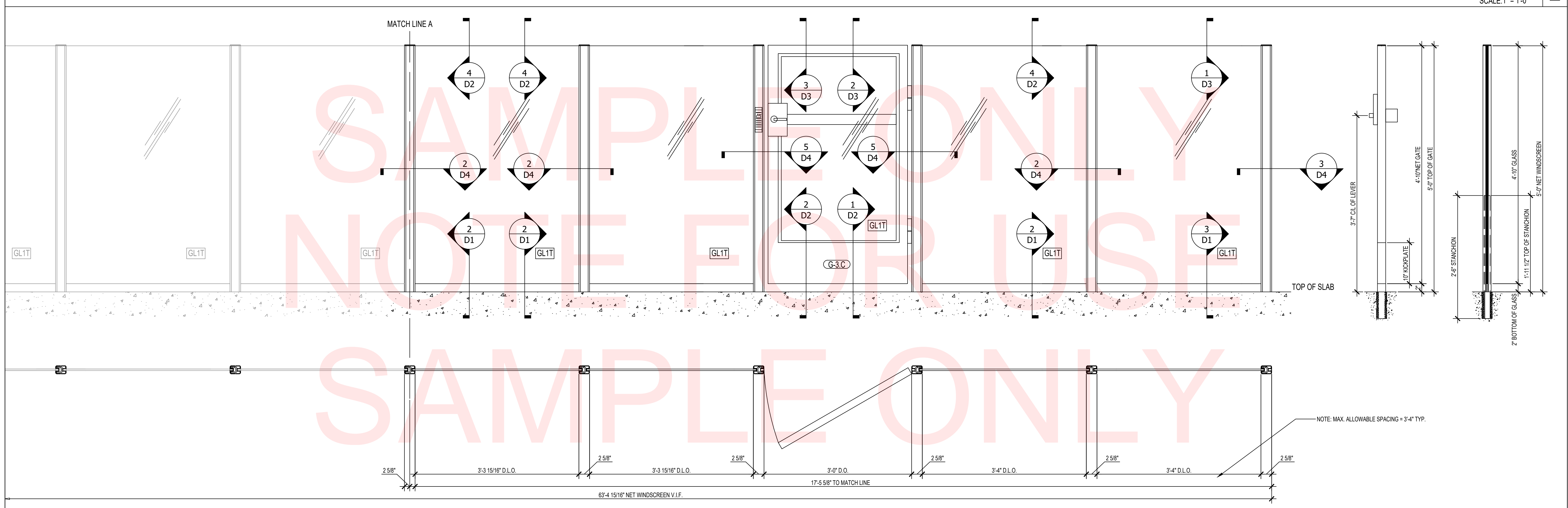
- 1.
- 2.
- 3.
- 4.
- 5.

PROJECT NR: 12345
DATE: 00-00-2000
DRAWN BY: XX
CHECKED BY: XX
SCALE: AS NOTED
SHEET NUMBER:

E1



ELEVATION - WEST SEGMENT B @ POOL EAST
SCALE: 1" = 1'-0" **2**



ELEVATION - WEST SEGMENT A @ POOL EAST
SCALE: 1" = 1'-0" **1**

COMPANY LOGO
HERE
COMPANY ADDRESS
CITY, STATE 12345
PHONE (123) 456-7890
www.companywebsite.com
STAMPS

PROJECT NAME
PROJECT ADDRESS
CITY, STATE 12345

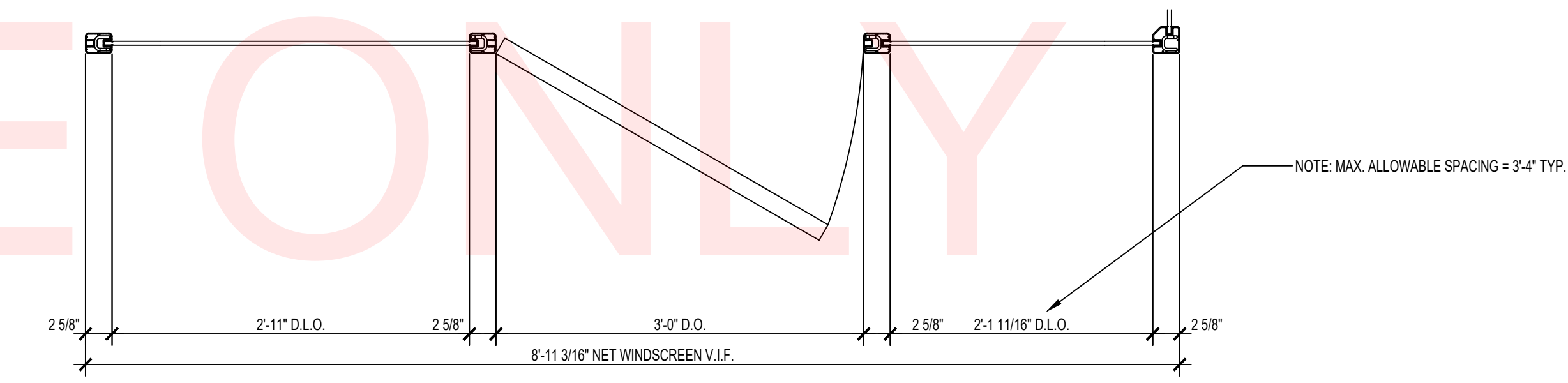
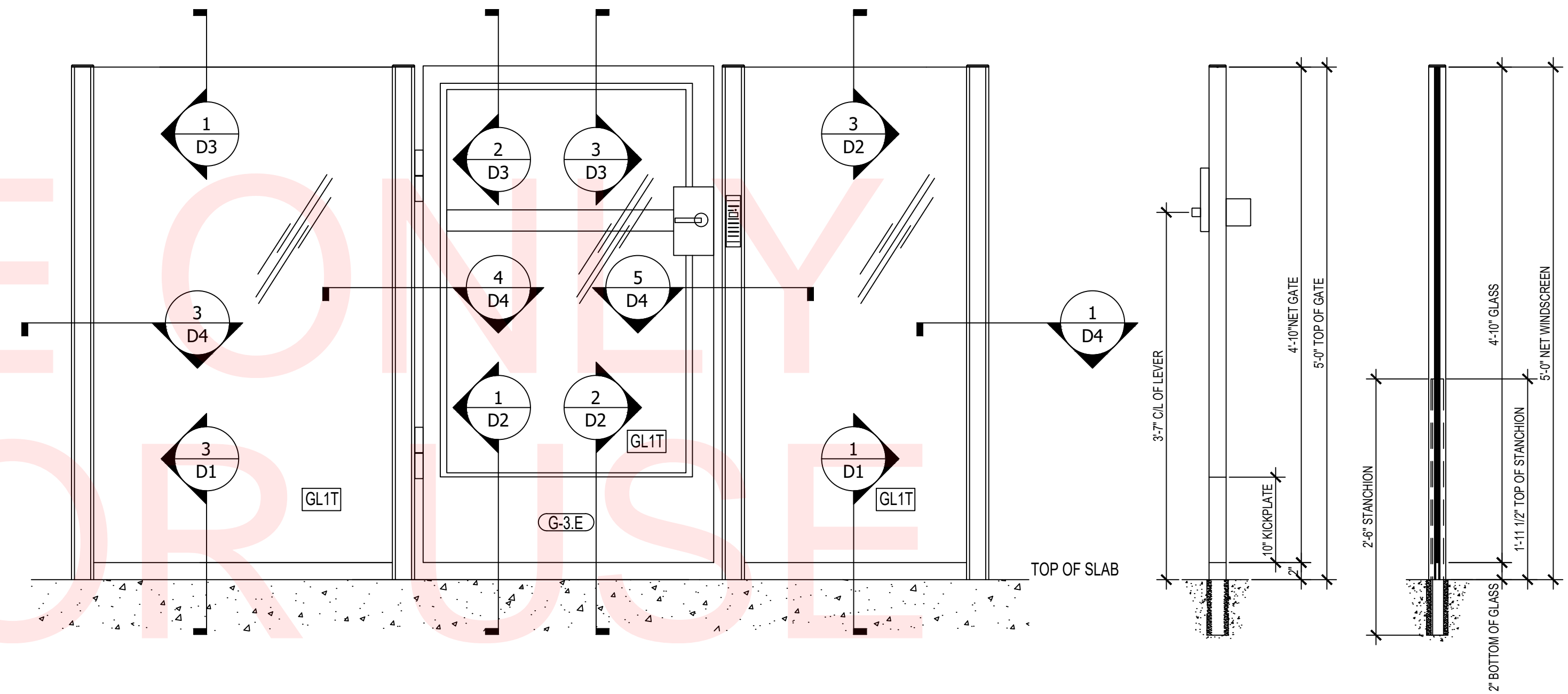
REVISION:

- 1.
- 2.
- 3.
- 4.
- 5.

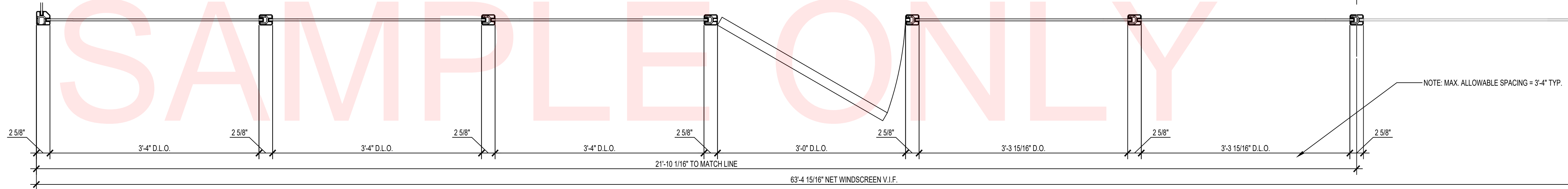
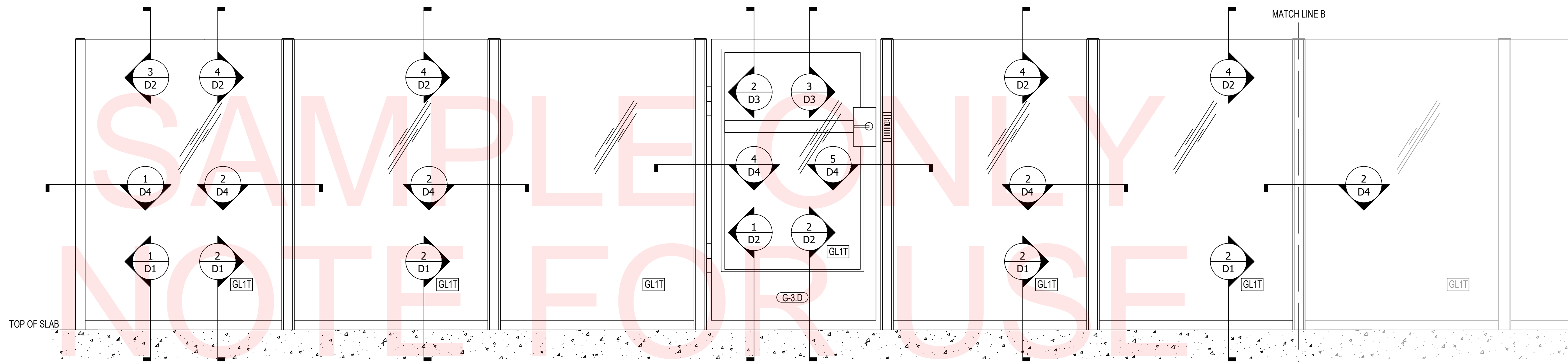
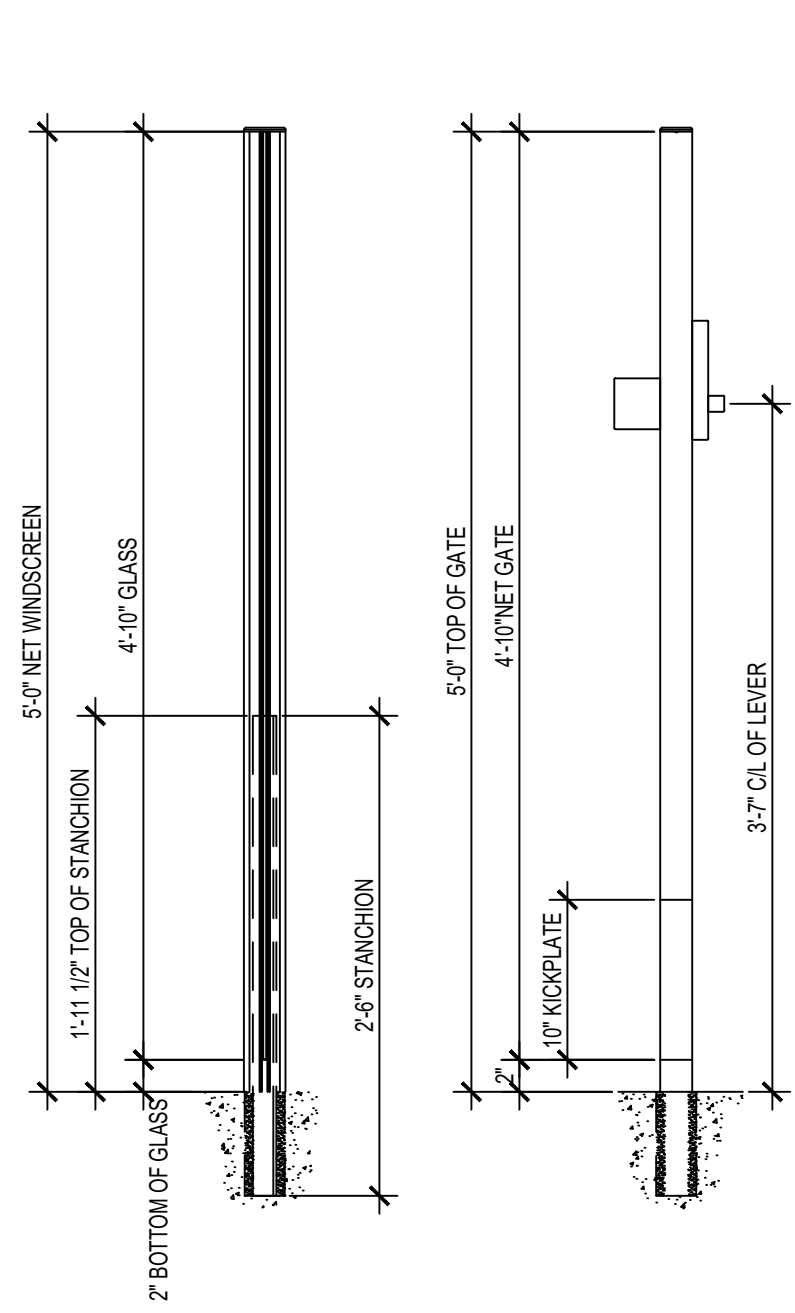
PROJECT NR: 12345
DATE: 00-00-2000
DRAWN BY: XX
CHECKED BY: XX
SCALE: AS NOTED
SHEET NUMBER:

E2

SAMPLE ONLY
NOTE FOR REUSE
SAMPLE ONLY



ELEVATION - NORTH @ POOL EAST
SCALE: 1" = 1'-0" **2**



ELEVATION - WEST SEGMENT C @ POOL EAST
SCALE: 1" = 1'-0" **1**

COMPANY LOGO
HERE
COMPANY ADDRESS
CITY, STATE 12345
PHONE (123) 456-7890
www.companywebsite.com

STAMPS

PROJECT NAME
PROJECT ADDRESS
CITY, STATE 12345

REVISION:

- 1.
- 2.
- 3.
- 4.
- 5.

PROJECT NR: 12345
DATE: 00-00-2000
DRAWN BY: XX
CHECKED BY: XX
SCALE: AS NOTED
SHEET NUMBER:

E3

COMPANY
LOGO
HERE

COMPANY ADDRESS
CITY, STATE 12345
PHONE (123) 456-7890
www.companywebsite.com

STAMPS

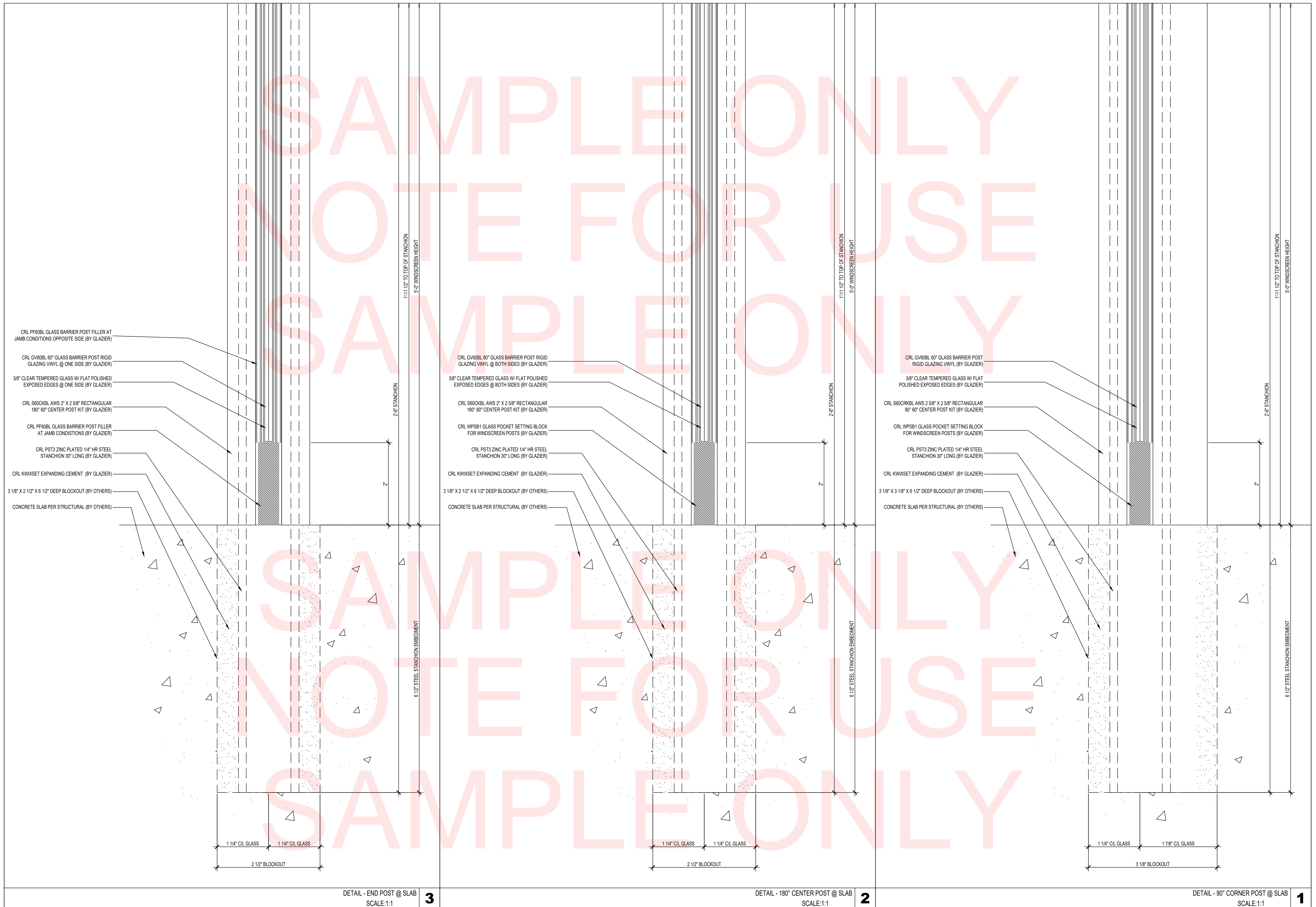
PROJECT NAME
PROJECT ADDRESS
CITY, STATE 12345

REVISION:

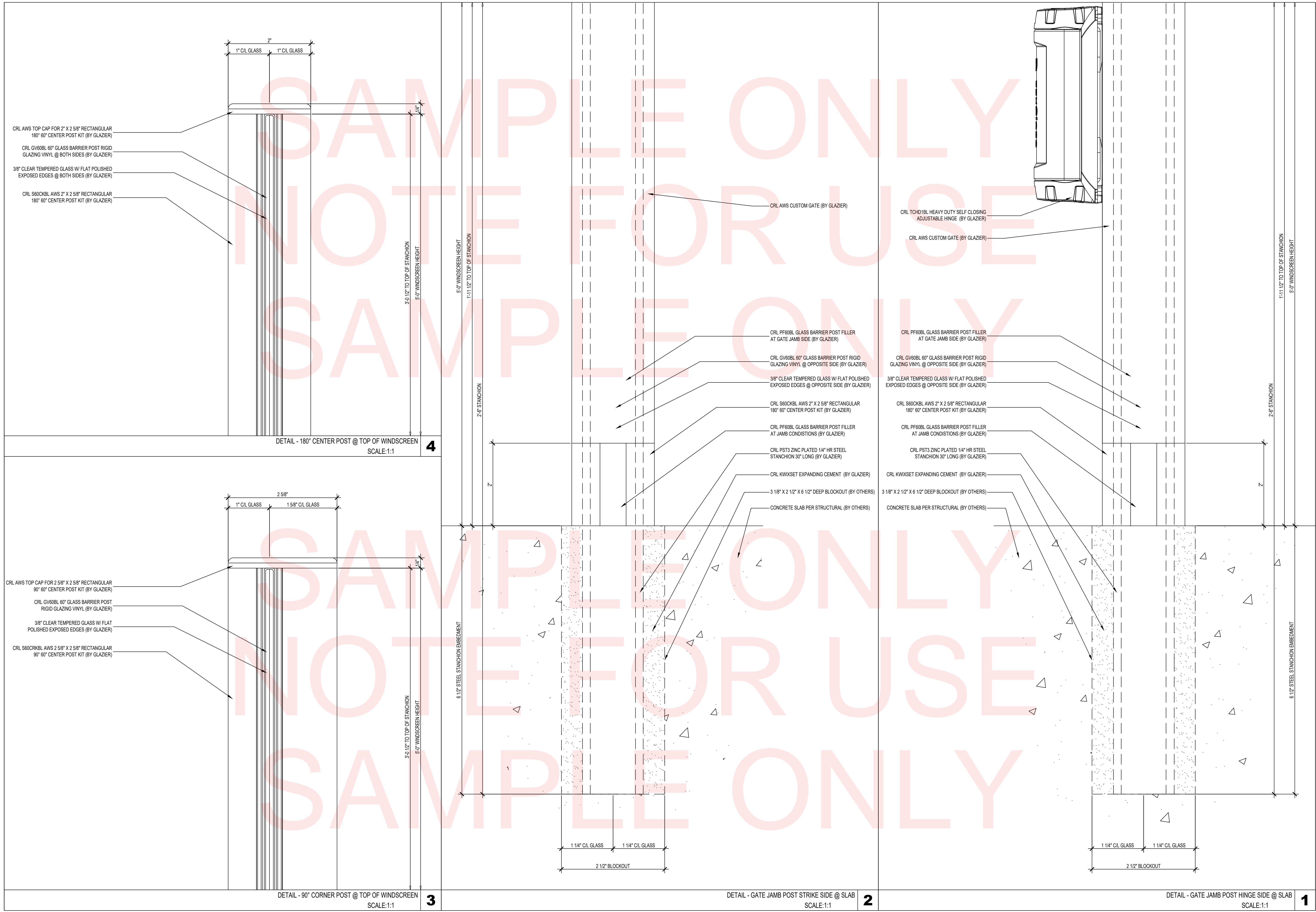
- 1.
- 2.
- 3.
- 4.
- 5.

PROJECT NR: 12345
DATE: 00-00-2000
DRAWN BY: XX
CHECKED BY: XX
SCALE: AS NOTED
SHEET NUMBER:

D1



SAMPLE ONLY
NOTE FOR USE
SAMPLE ONLY
SAMPLE ONLY
NOTE FOR USE
SAMPLE ONLY



COMPANY LOGO
HERE

COMPANY ADDRESS
CITY, STATE 12345
PHONE (123) 456-7890
www.companywebsite.com

STAMPS

PROJECT NAME
PROJECT ADDRESS
CITY, STATE 12345

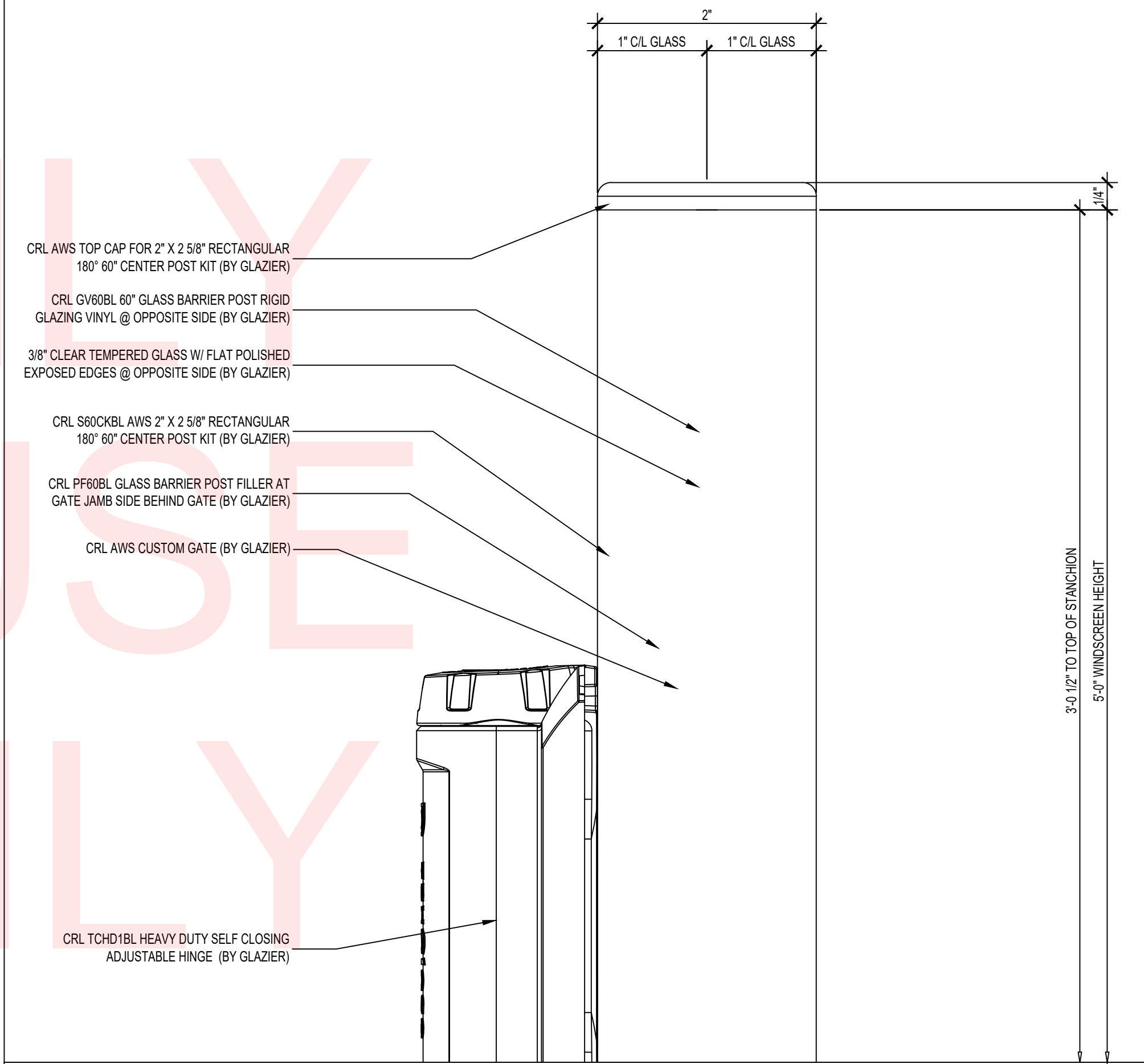
REVISION:

- 1.
- 2.
- 3.
- 4.
- 5.

PROJECT NR: 12345
DATE: 00-00-2000
DRAWN BY: XX
CHECKED BY: XX
SCALE: AS NOTED
SHEET NUMBER:

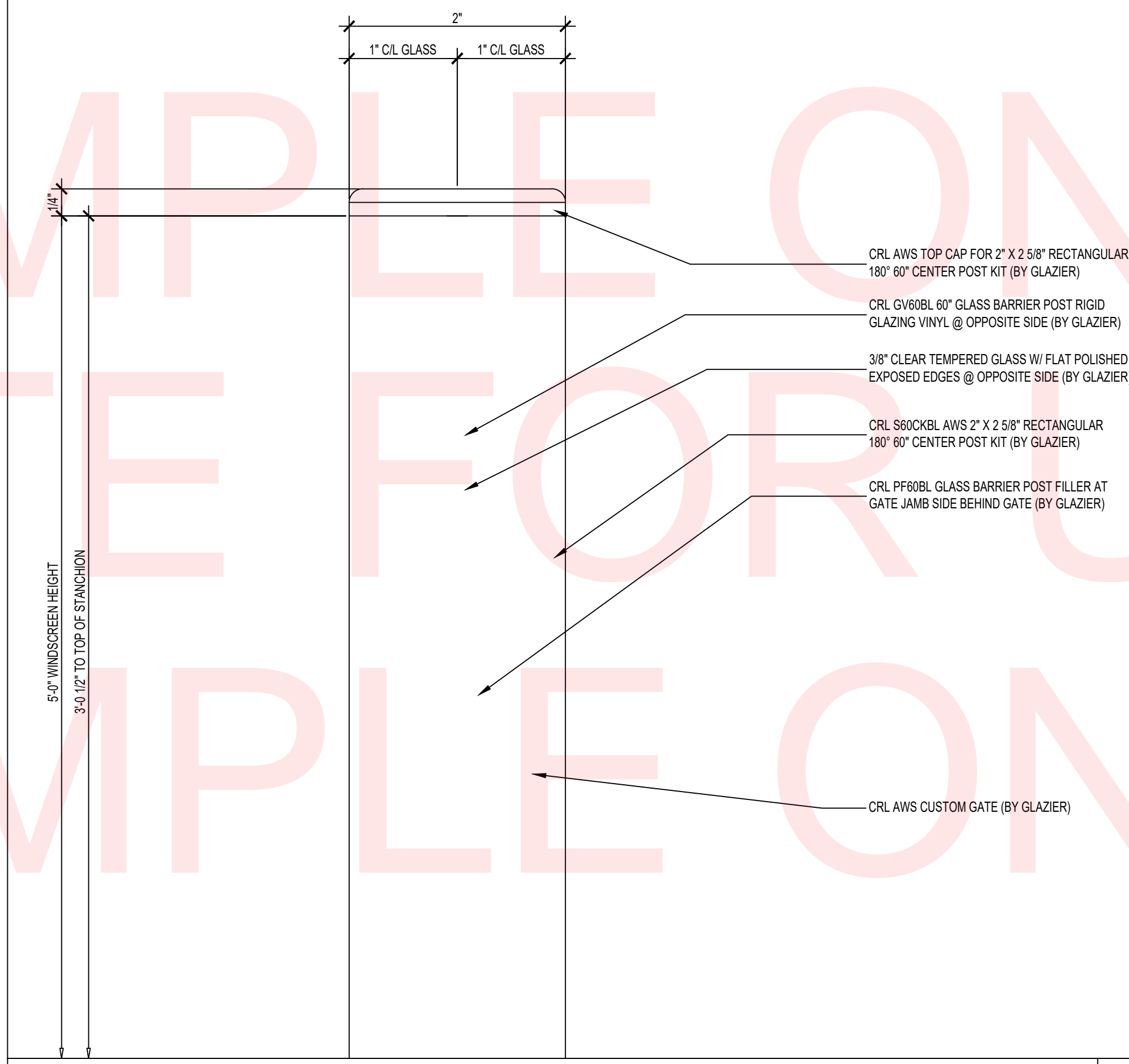
D2

SAMPLE ONLY
 NOTE FOR USE
 SAMPLE ONLY



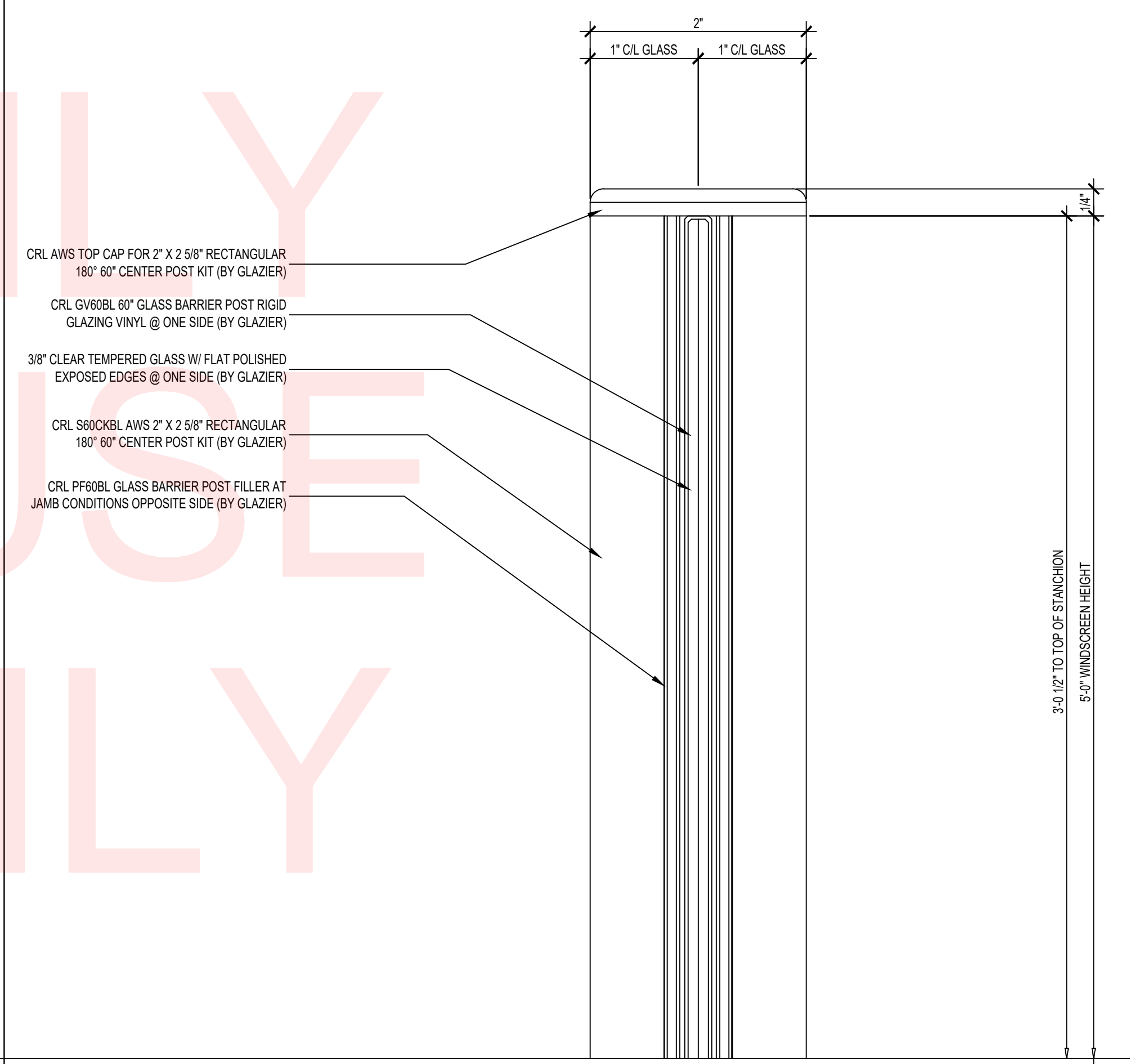
CRL AWS TOP CAP FOR 2' X 2 5/8" RECTANGULAR
 180° 60° CENTER POST KIT (BY GLAZIER)
 CRL GV80BL 60° GLASS BARRIER POST RIGID
 GLAZING VINYL @ OPPOSITE SIDE (BY GLAZIER)
 3/8" CLEAR TEMPERED GLASS W/ FLAT POLISHED
 EXPOSED EDGES @ OPPOSITE SIDE (BY GLAZIER)
 CRL S80CKBL AWS 2' X 2 5/8" RECTANGULAR
 180° 60° CENTER POST KIT (BY GLAZIER)
 CRL PFR0BL GLASS BARRIER POST FILLER AT
 GATE JAMB SIDE BEHIND GATE (BY GLAZIER)
 CRL AWS CUSTOM GATE (BY GLAZIER)
 CRL TCHD18L HEAVY DUTY SELF CLOSING
 ADJUSTABLE HINGE (BY GLAZIER)

DETAIL - GATE JAMB POST HINGE SIDE @ TOP OF WINDSCREEN
 SCALE:1:1 **2**



CRL AWS TOP CAP FOR 2' X 2 5/8" RECTANGULAR
 180° 60° CENTER POST KIT (BY GLAZIER)
 CRL GV80BL 60° GLASS BARRIER POST RIGID
 GLAZING VINYL @ OPPOSITE SIDE (BY GLAZIER)
 3/8" CLEAR TEMPERED GLASS W/ FLAT POLISHED
 EXPOSED EDGES @ OPPOSITE SIDE (BY GLAZIER)
 CRL S80CKBL AWS 2' X 2 5/8" RECTANGULAR
 180° 60° CENTER POST KIT (BY GLAZIER)
 CRL PFR0BL GLASS BARRIER POST FILLER AT
 GATE JAMB SIDE BEHIND GATE (BY GLAZIER)
 CRL AWS CUSTOM GATE (BY GLAZIER)

DETAIL - GATE JAMB POST STRIKE SIDE @ TOP OF WINDSCREEN
 SCALE:1:1 **3**



CRL AWS TOP CAP FOR 2' X 2 5/8" RECTANGULAR
 180° 60° CENTER POST KIT (BY GLAZIER)
 CRL GV80BL 60° GLASS BARRIER POST RIGID
 GLAZING VINYL @ ONE SIDE (BY GLAZIER)
 3/8" CLEAR TEMPERED GLASS W/ FLAT POLISHED
 EXPOSED EDGES @ ONE SIDE (BY GLAZIER)
 CRL S80CKBL AWS 2' X 2 5/8" RECTANGULAR
 180° 60° CENTER POST KIT (BY GLAZIER)
 CRL PFR0BL GLASS BARRIER POST FILLER AT
 JAMB CONDITIONS OPPOSITE SIDE (BY GLAZIER)

DETAIL - END POST @ TOP OF WINDSCREEN
 SCALE:1:1 **1**

COMPANY
 LOGO
 HERE
 COMPANY ADDRESS
 CITY, STATE 12345
 PHONE (123) 456-7890
 www.companywebsite.com

STAMPS

PROJECT NAME
 PROJECT ADDRESS
 CITY, STATE 12345

REVISION:

- 1.
- 2.
- 3.
- 4.
- 5.

PROJECT NR: 12345
 DATE: 00-00-2000
 DRAWN BY: XX
 CHECKED BY: XX
 SCALE: AS NOTED
 SHEET NUMBER:

D3

COMPANY
LOGO
HERE

COMPANY ADDRESS
CITY, STATE 12345
PHONE (123) 456-7890
www.companywebsite.com

STAMPS

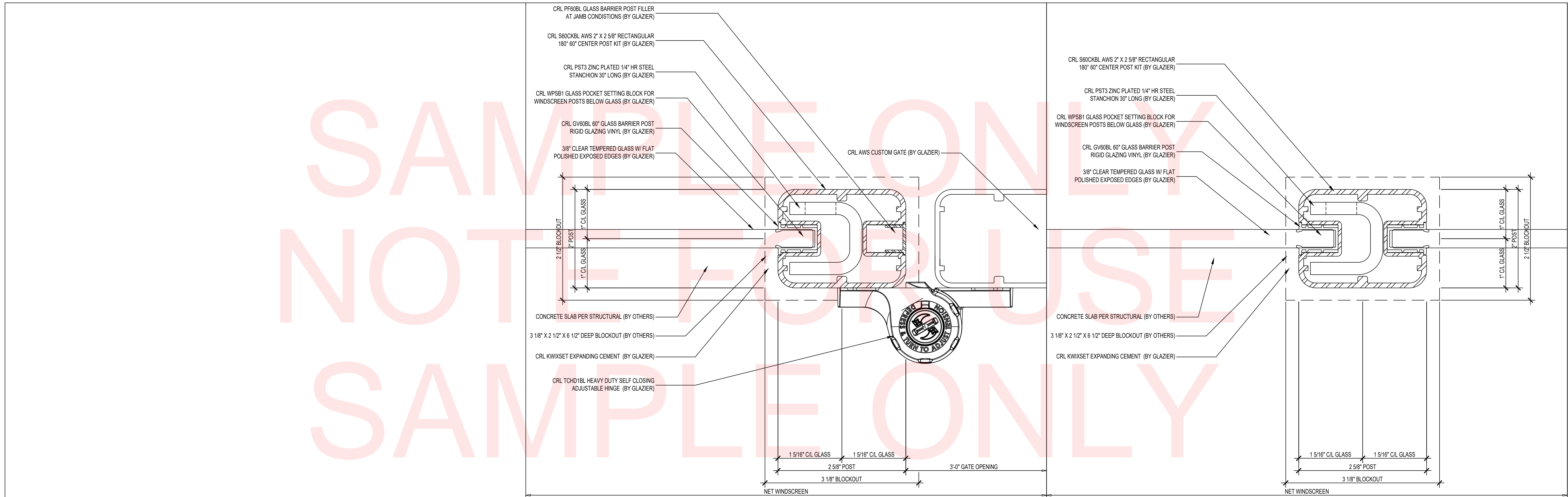
PROJECT NAME
PROJECT ADDRESS
CITY, STATE 12345

REVISION:

- 1.
- 2.
- 3.
- 4.
- 5.

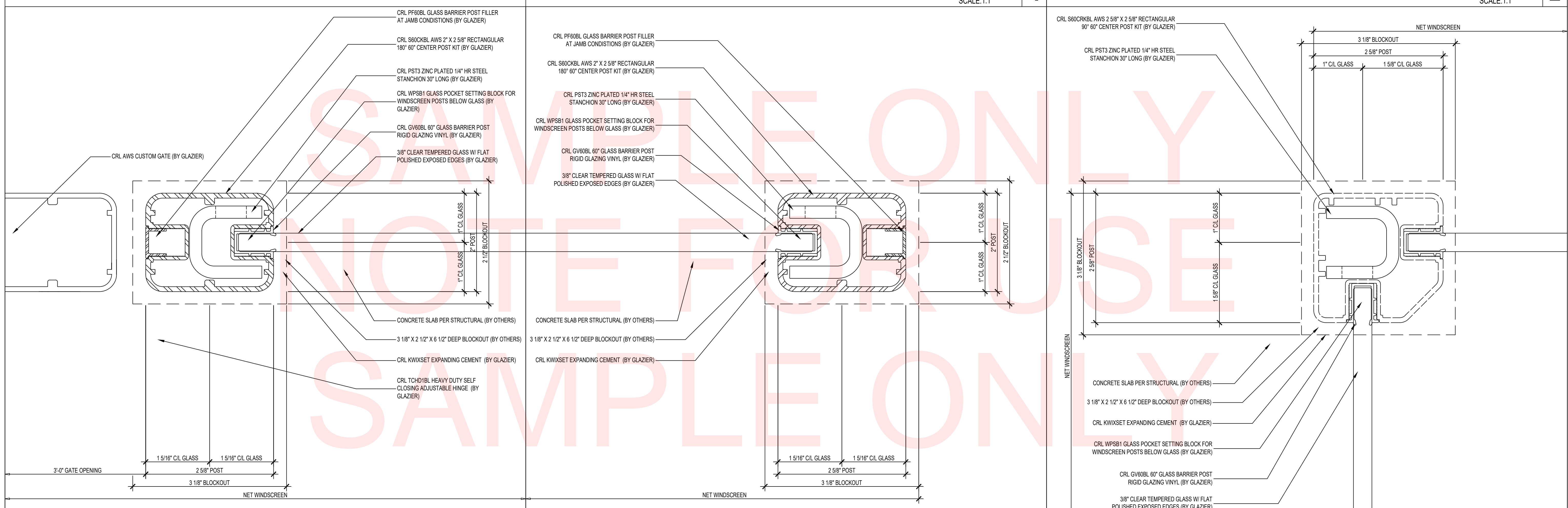
PROJECT NR: 12345
DATE: 00-00-2000
DRAWN BY: XX
CHECKED BY: XX
SCALE: AS NOTED
SHEET NUMBER:

D4



PLAN DETAIL - GATE JAMB POST @ HINGE SIDE
SCALE:1:1 **4**

PLAN DETAIL - 180° CENTER POST
SCALE:1:1 **2**



PLAN DETAIL - GATE JAMB POST @ STRIKE SIDE
SCALE:1:1 **5**

PLAN DETAIL - END POST
SCALE:1:1 **3**

PLAN DETAIL - 90° CORNER POST
SCALE:1:1 **1**