

SAMPLE PROJECT SHOWER DOOR ASSEMBLY ADDRESS, CITY, ST 12345

C1 - COVER SHEET

SHOWER DOOR GLAZING - 3/8"
CLEAR TEMPERED W/ FLAT
POLISH AND MITER @ 90°

P1 - PLAN SHEET

SHOWER DOOR HARDWARE
FINISH - POLISHED CHROME

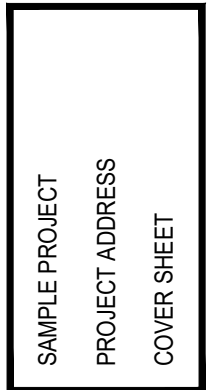
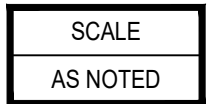
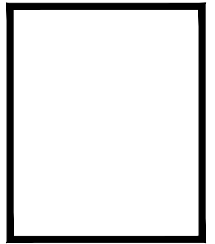
E1-E2 - ELEVATION SHEETS

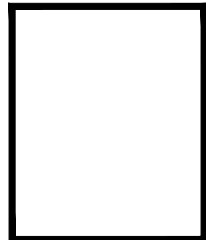
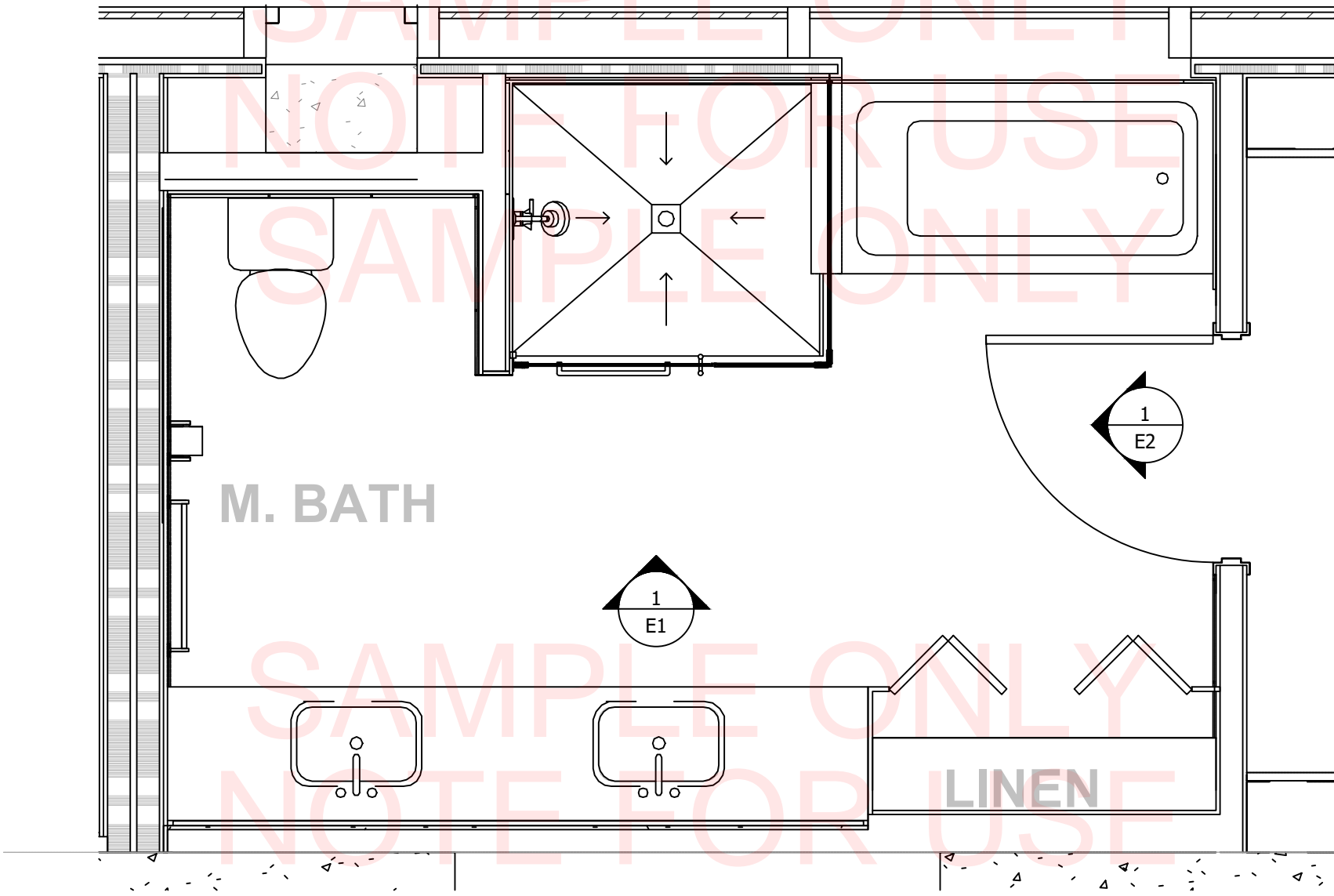
TOWEL BAR - PRL PL-18SSTBCH
3/4" DIA. X 18"

D1-D7 - DETAIL SHEETS

LADDER PULL SET - PRL PL-MLPCH
3/4" DIA. X 12" OAD/8" CTC

SHOWER HINGES - PRL
PL-TBHD074CH SHORT BACK
PLATE HINGE





YOUR LOGO HERE
 COMPANY ADDRESS
 CITY, ST 12345
 PH. (123) 456-7890

SCALE
 AS NOTED

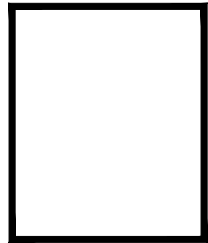
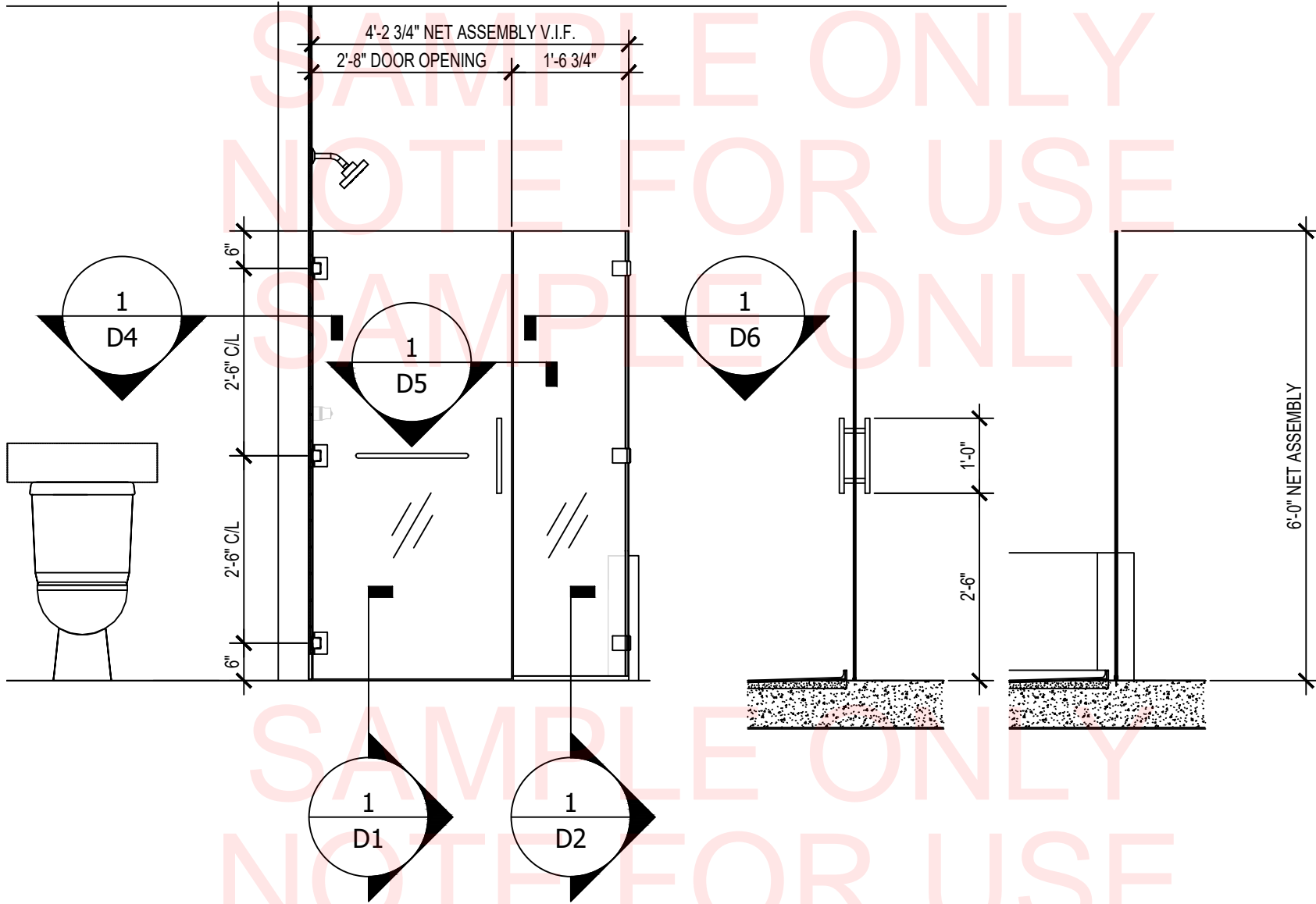
SAMPLE PROJECT
 PROJECT ADDRESS
 PLAN SHEET

P1

1

ENLARGED FLOOR PLAN - PH 3901 MASTER BATH

Scale: 1/2" = 1'-0"



YOUR LOGO HERE
 COMPANY ADDRESS
 CITY, ST 12345
 PH. (123) 456-7890

SCALE
 AS NOTED

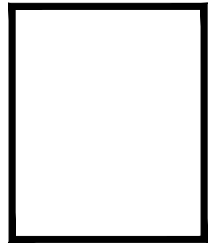
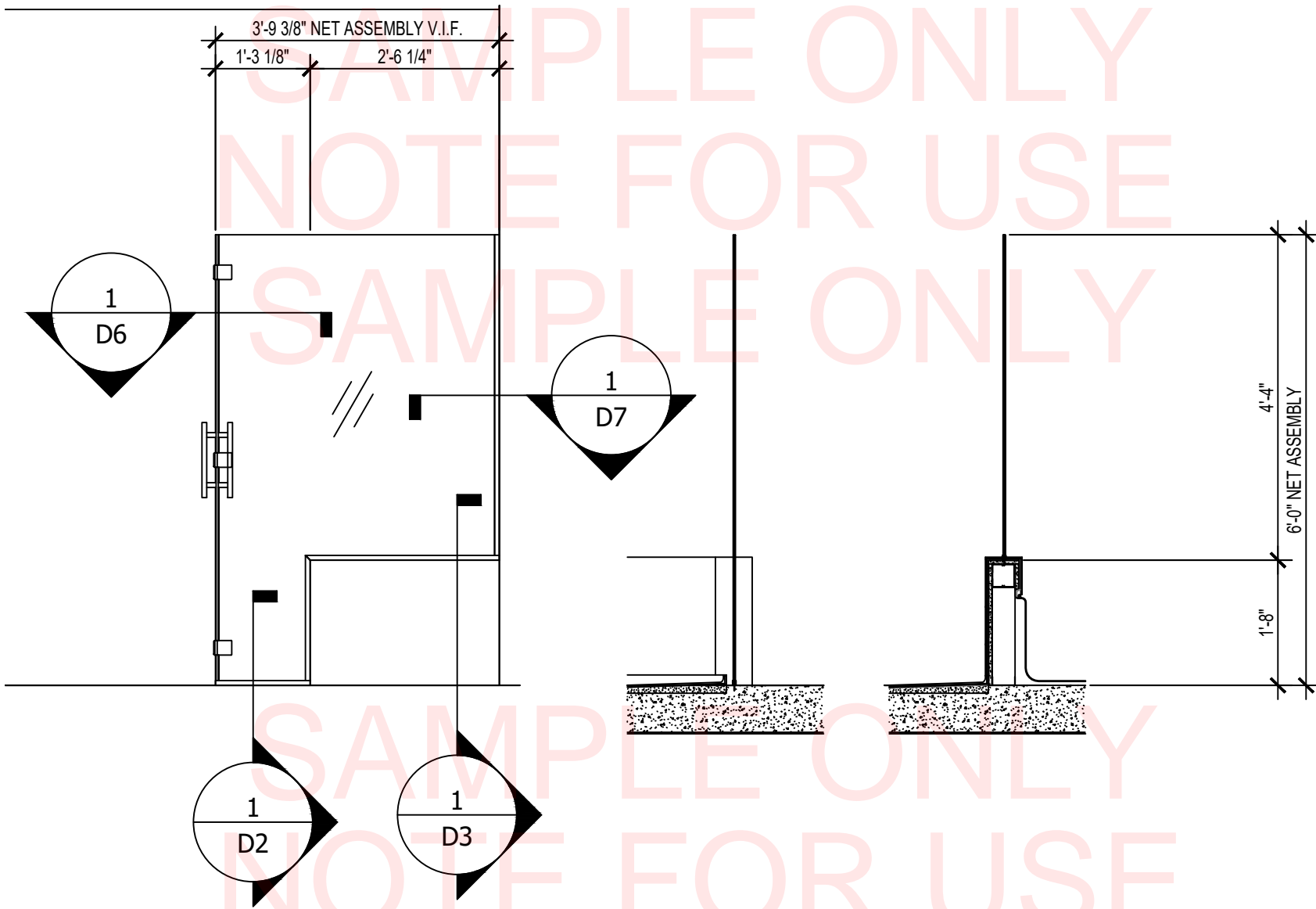
SAMPLE PROJECT
 PROJECT ADDRESS
 ELEVATION SHEET

E1

1

INTERIOR ELEVATION - PH 3901 MASTER BATH SOUTH

Scale: 1/2" = 1'-0"



YOUR LOGO HERE
 COMPANY ADDRESS
 CITY, ST 12345
 PH. (123) 456-7890

SCALE
 AS NOTED

SAMPLE PROJECT
 PROJECT ADDRESS
 ELEVATION SHEET

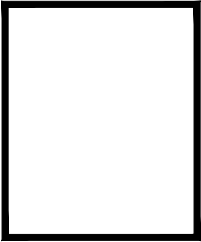
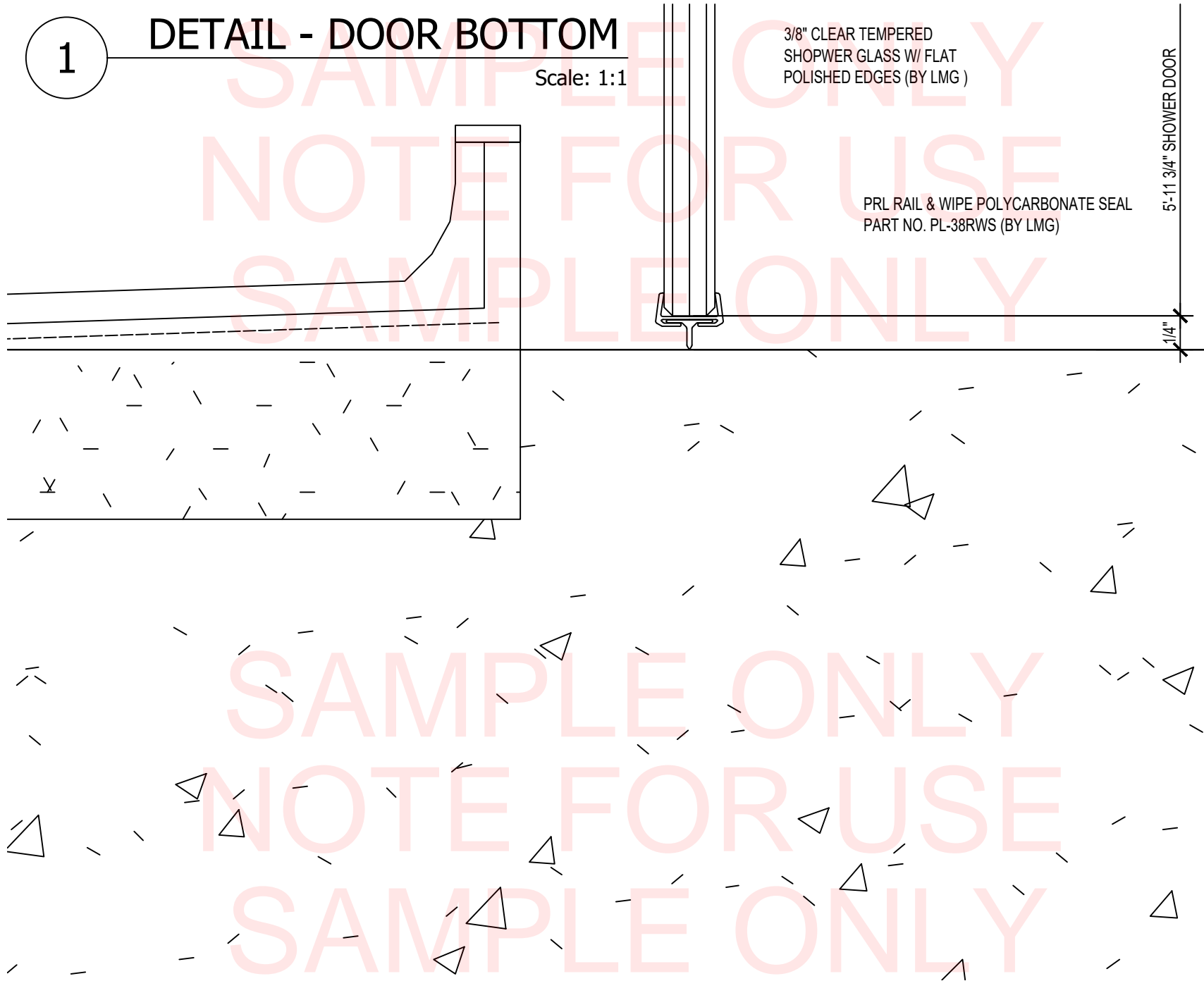
E2

1 INTERIOR ELEVATION - PH 3901 MASTER BATH EAST
 Scale: 1/2" = 1'-0"

1

DETAIL - DOOR BOTTOM

Scale: 1:1



YOUR LOGO HERE

COMPANY ADDRESS
CITY, ST 12345
PH. (123) 456-7890

SCALE

AS NOTED

SAMPLE PROJECT
PROJECT ADDRESS
DETAIL SHEET

D1

1

DETAIL - SIDELITE

Scale: 1:1

3/8" CLEAR TEMPERED
SHOPWER GLASS W/ FLAT
POLISHED EDGES (BY LMG)

PRL POLISHED CHROME
U-CHANNEL 9/16" X 3/4" PART
NO. 38UCHSLCH (BY LMG)

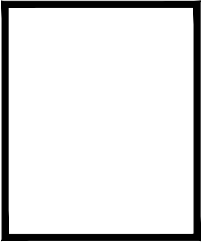
DOWSIL 786 MILDEW RESISTANT
SILICONE SEALANT (BY LMG)

1/4" DIA. SIMPSON TITEN HD SCREW
ANCHOR W/ 1-5/8" MIN. EMBEDMENT & 2"
MIN EDGE DISTANCE @ 6" O.C. (BY LMG)

6'-0" NET ASSEMBLY

3/4"

9/16"



YOUR LOGO HERE
COMPANY ADDRESS
CITY, ST 12345
PH. (123) 456-7890

SCALE
AS NOTED

SAMPLE PROJECT
PROJECT ADDRESS
DETAIL SHEET

D2

PRL POLISHED CHROME
U-CHANNEL 9/16" X 3/4" PART
NO. 38UCHSLCH (BY LMG)

3/8" CLEAR TEMPERED
SHOPWER GLASS W/ FLAT
POLISHED EDGES (BY LMG)

DOWSIL 786 MILDEW RESISTANT
SILICONE SEALANT (BY LMG)

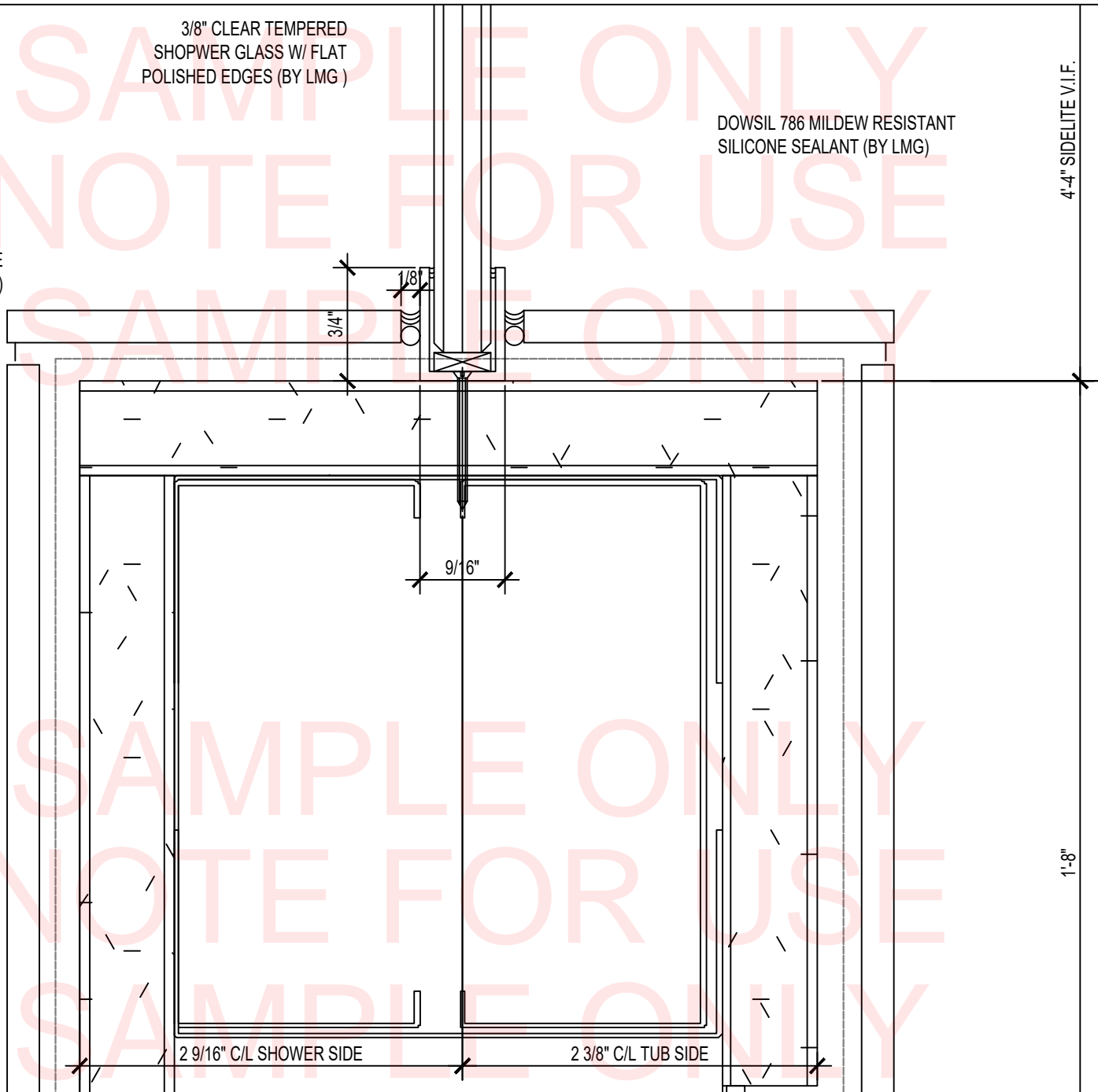
TILE ON INSET
(BY OTHERS)

WATERPROOFING
MEMBRANE (BY OTHERS)

5/8" DENSSHIELD TILE
BACKER BD. (BY OTHERS)

3 5/8" METAL
STUD BOX BEAM
(BY OTHERS)

#12-14 ITW BUILDEX
TEKS/3 SCREWS @ 6"
O.C. W/ 1" MIN EDGE
DISTANCE (BY LMG)



YOUR LOGO HERE

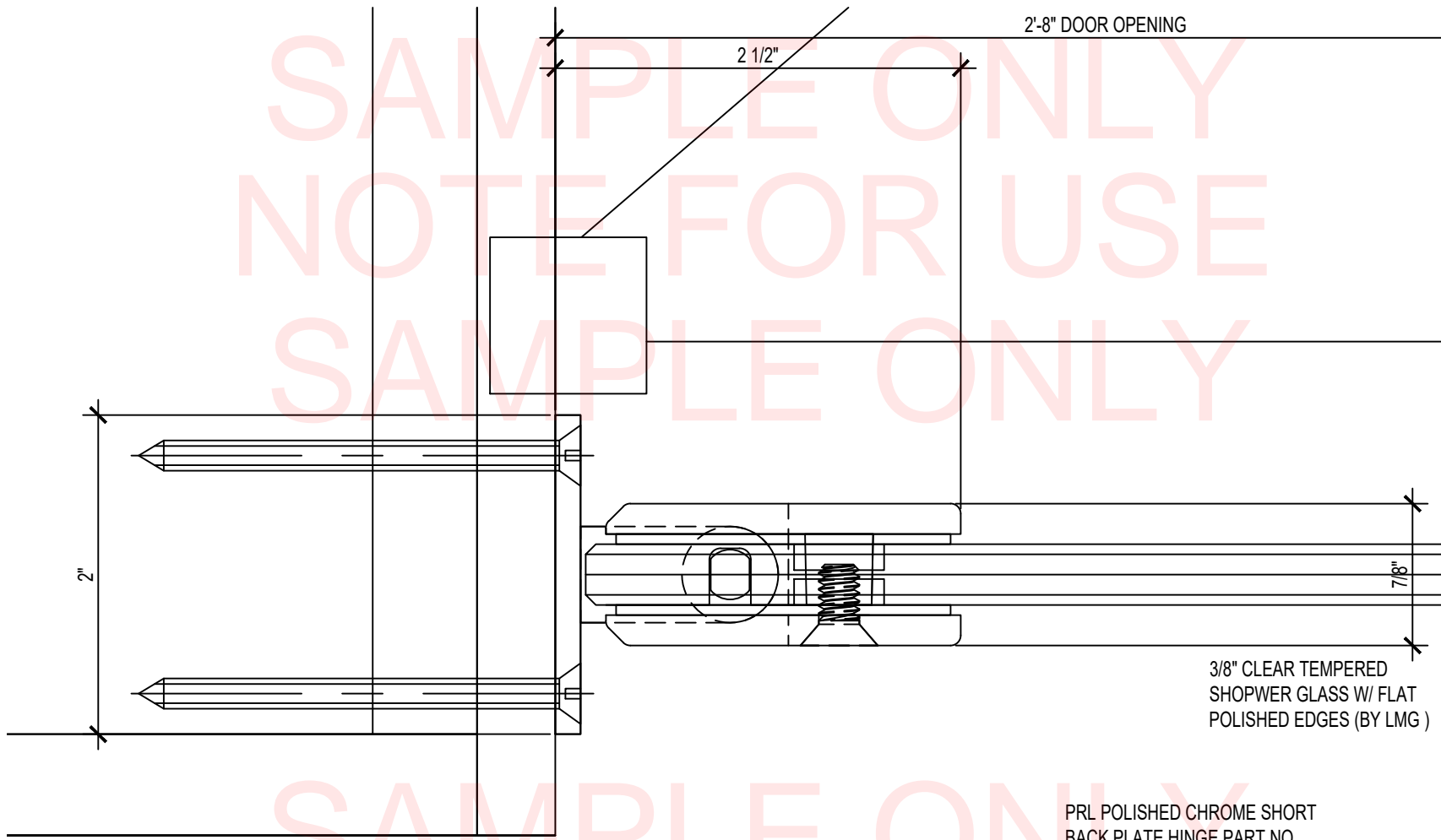
COMPANY ADDRESS
CITY, ST 12345
PH. (123) 456-7890

SCALE

AS NOTED

SAMPLE PROJECT
PROJECT ADDRESS
DETAIL SHEET

D3



#14-14 ITW BUILDEX
 TEKS/3 SCREWS @ 4 PER
 HINGE PLATE W/ 1" MIN
 EDGE DISTANCE (BY LMG)

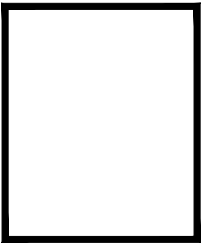
PRL POLISHED CHROME SHORT
 BACK PLATE HINGE PART NO.
 PL-TBHD074CH (BY LMG)

3/8" CLEAR TEMPERED
 SHOPWER GLASS W/ FLAT
 POLISHED EDGES (BY LMG)

DETAIL - DOOR HINGE

1

Scale: 1:1

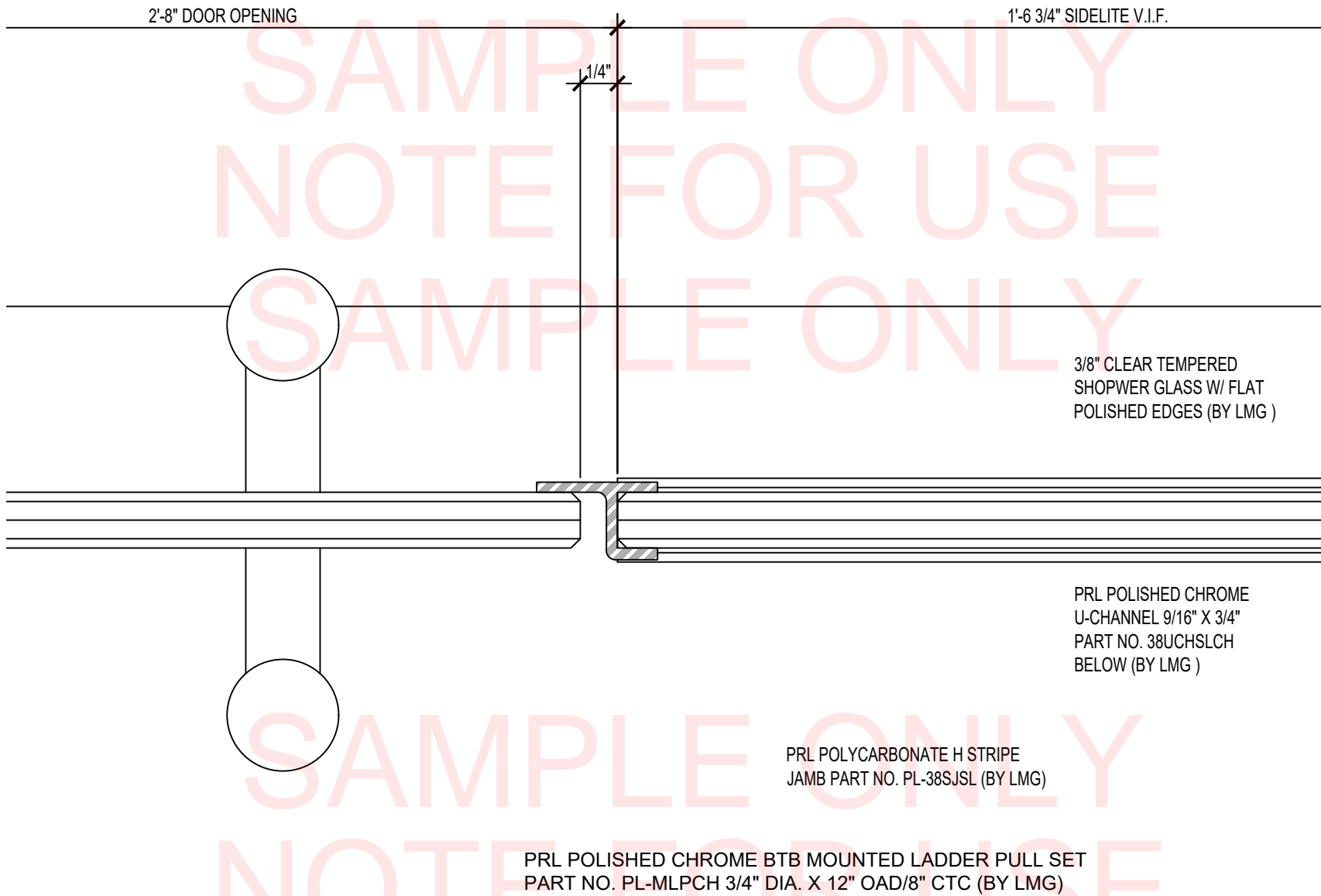


YOUR LOGO HERE
 COMPANY ADDRESS
 CITY, ST 12345
 PH. (123) 456-7890

SCALE
 AS NOTED

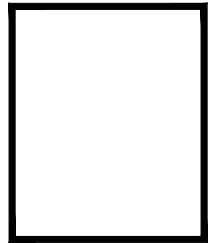
SAMPLE PROJECT
 PROJECT ADDRESS
 DETAIL SHEET

D4



SAMPLE ONLY
NOTE FOR USE
SAMPLE ONLY

SAMPLE ONLY
NOTE FOR USE
SAMPLE ONLY



YOUR LOGO HERE

COMPANY ADDRESS
CITY, ST 12345
PH. (123) 456-7890

SCALE
AS NOTED

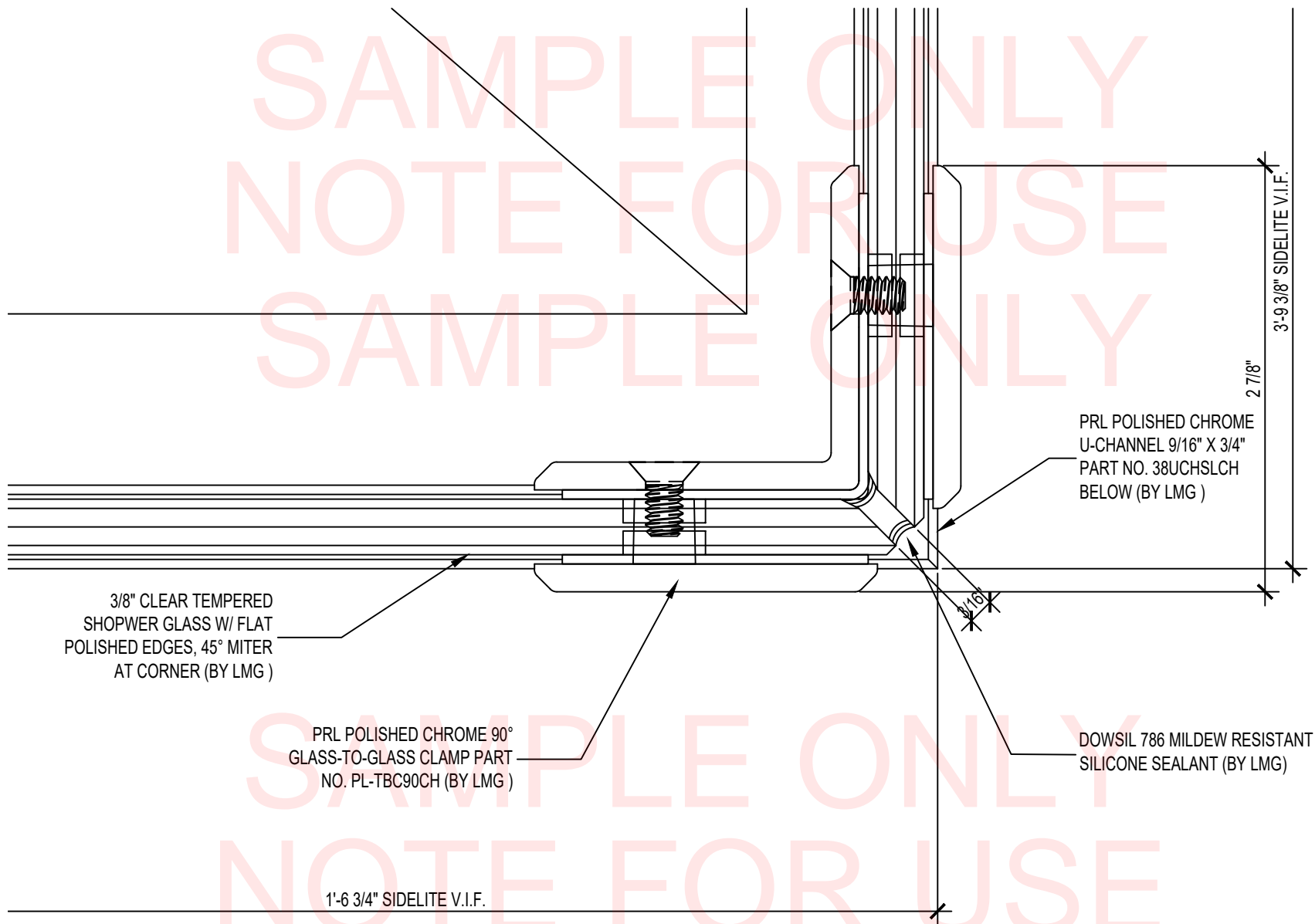
SAMPLE PROJECT
PROJECT ADDRESS
DETAIL SHEET

D5

1

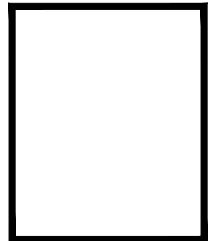
DETAIL - DOOR STRIKE

Scale: 1:1



1 DETAIL - 90° GLASS-TO-GLASS CORNER

Scale: 1:1



YOUR LOGO HERE

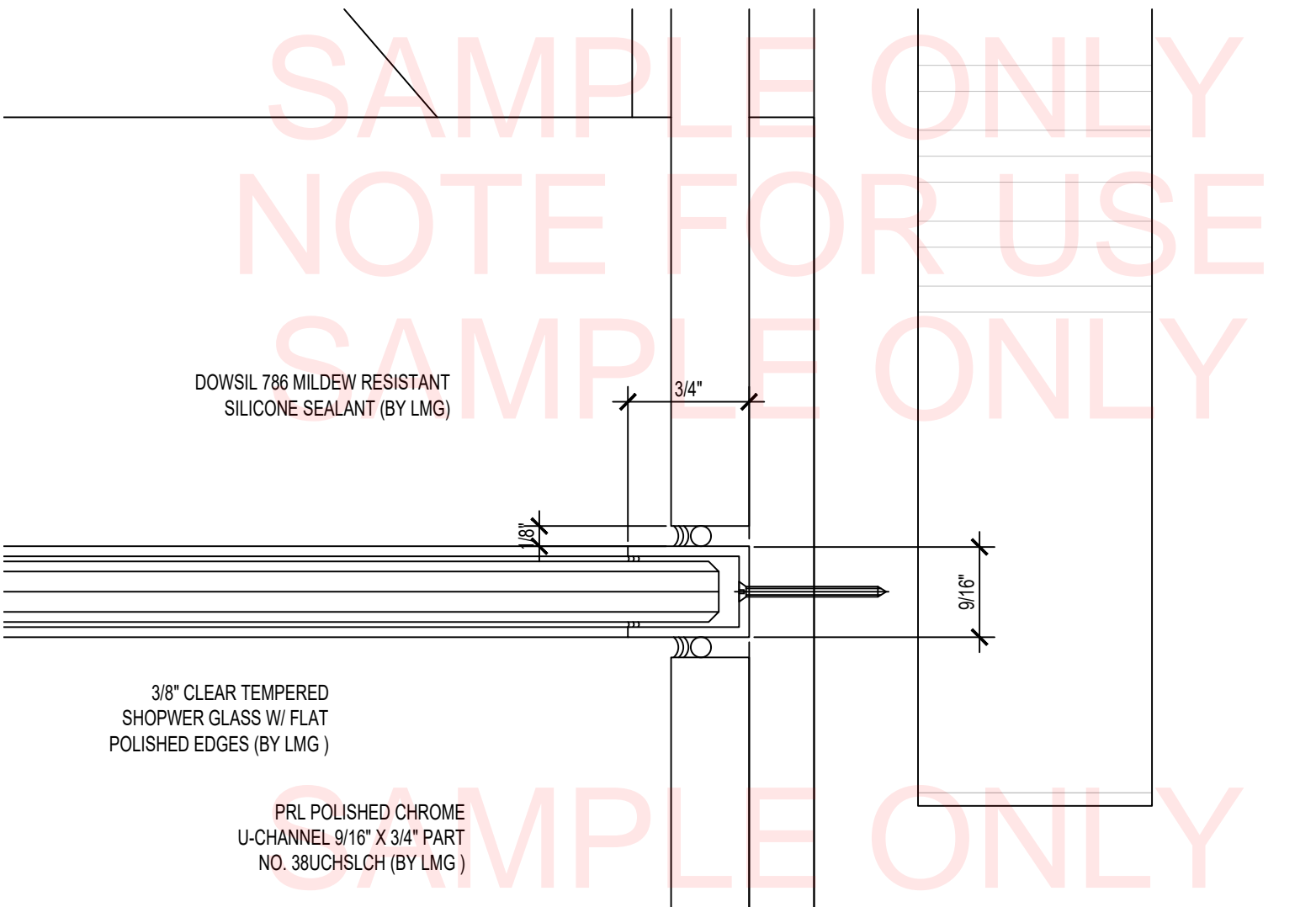
COMPANY ADDRESS
CITY, ST 12345
PH. (123) 456-7890

SCALE
AS NOTED

SAMPLE PROJECT
PROJECT ADDRESS
DETAIL SHEET

D6

SAMPLE ONLY
NOTE FOR USE
SAMPLE ONLY



DOWSIL 786 MILDEEW RESISTANT
SILICONE SEALANT (BY LMG)

3/8" CLEAR TEMPERED
SHOPWAX GLASS W/ FLAT
POLISHED EDGES (BY LMG)

PRL POLISHED CHROME
U-CHANNEL 9/16" X 3/4" PART
NO. 38UCHSLCH (BY LMG)

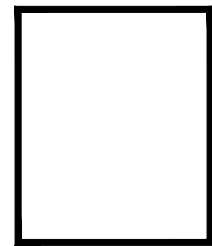
3'-9 3/8" SIDELITE V.I.F.

#12-14 ITW BUILDEX
TEKS/3 SCREWS @ 6"
O.C. W/ 1" MIN EDGE
DISTANCE (BY LMG)

1

DETAIL - GLASS AT WALL

Scale: 1:1



YOUR LOGO HERE
COMPANY ADDRESS
CITY, ST 12345
PH. (123) 456-7890

SCALE
AS NOTED

SAMPLE PROJECT
PROJECT ADDRESS
DETAIL SHEET

D7