

SAMPLE PROJECT MAGNETIC GLASS MARKER BOARDS

1234 PROJECT ADDRESS
CITY, ST 12345

COMPANY
LOGO
HERE

COMPANY ADDRESS
CITY, STATE 12345
PHONE (123) 456-7890
www.companywebsite.com

STAMPS

| MATERIAL LIST | | | | | | |
|---------------|------------|-------------------------|----------------|-------|---------|---|
| MFR. | MODEL | TYPE | FINISH | GLASS | EXT/INT | NOTE |
| CLARUS | T-TRIM | BUTT JOINT TRIM | SATIN ANODIZED | EQ-33 | INT | MFR. PROVIDED T-TRIM FOR VERTICAL BUTT JOINTS, TYP. |
| CLARUS | L-CHANNEL | BOTTOM TRIM | SATIN ANODIZED | EQ-33 | INT | MFR. PROVIDED L-CHANNEL FOR BOTTOM OF BOARDS, TYP. |
| LOCTITE | PL PREMIUM | ADHESIVE | N/A | N/A | INT | REFER TO MFR. INSTALLATION INSTRUCTIONS |
| EXREME | E6000 | ADHESIVE & SEALANT | N/A | N/A | INT | REFER TO MFR. INSTALLATION INSTRUCTIONS |
| 3M | VHB | STRUCTURAL GLAZING TAPE | N/A | N/A | INT | REFER TO MFR. INSTALLATION INSTRUCTIONS |
| | | | | | | |
| | | | | | | |

| GLASS TYPES | | |
|-------------|-----------|---|
| TYPE | THICKNESS | DESCRIPTION |
| EQ-33 | 1/4" | CLARUS BOARD "WALL2WALL" - MAGNETIC, LOW-IRON TEMPERED GLASS W/ FLAT POLISHED EDGES AND "PURE WHITE" C100 BACKPAINT |
| | | |

| GENERAL NOTES | |
|---|--------------------------|
| ALL DIMENSIONS TO BE FIELD VERIFIED BY INSTALLING CONTRACTOR PRIOR TO FABRICATION | |
| CAULKING TO BE: | N/A |
| ARCHITECTURAL SET: | SAMPLE ONLY; NOT FOR USE |

| DRAWING INDEX | |
|---------------|--------------------------|
| C1 | COVER SHEET |
| P1-P2 | FLOOR PLAN SHEETS |
| E1-E7 | ELEVATION SHEETS |
| D1-D2 | DETAIL SHEETS |
| NOTE: | SAMPLE ONLY; NOT FOR USE |

| LEGEND | |
|--------|----------------------|
| R.O. | ROUGH OPENING |
| F.D. | FRAME DIMENSION |
| O.A. | OVERALL |
| D.L.O. | DAYLIGHT OPENING |
| D.O. | DOOR OPENING |
| N.T.S | NOT TO SCALE |
| F.F. | FINISH FLOOR |
| O.H. | OPPOSITE HAND |
| EQ. | EQUAL |
| V.I.F. | VERIFY IN FIELD |
| B.O. | BY OTHERS |
| I.G.U. | INSULATED GLASS UNIT |
| G.D. | GLASS DIMENSION |
| E.T.R. | EXISTING TO REMAIN |

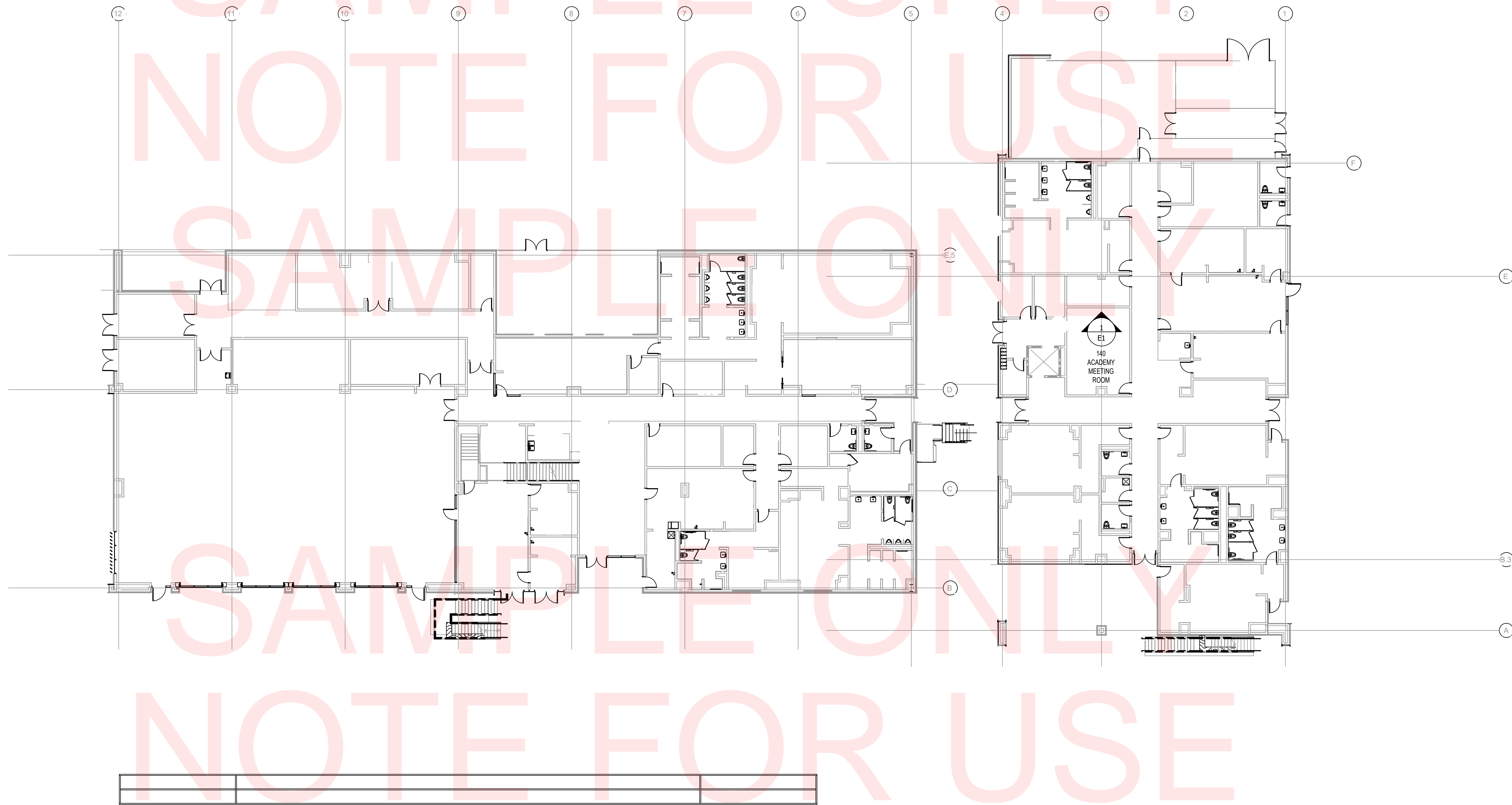
PROJECT NAME
PROJECT ADDRESS
CITY, STATE 12345

REVISION:

-
-
-
-
-

PROJECT NR: 12345
DATE: 00-00-2000
DRAWN BY: XX
CHECKED BY: XX
SCALE: AS NOTED
SHEET NUMBER:

C1



COMPANY LOGO HERE

COMPANY ADDRESS
CITY, STATE 12345
PHONE (123) 456-7890
www.companywebsite.com

STAMPS

PROJECT NAME
PROJECT ADDRESS
CITY, STATE 12345

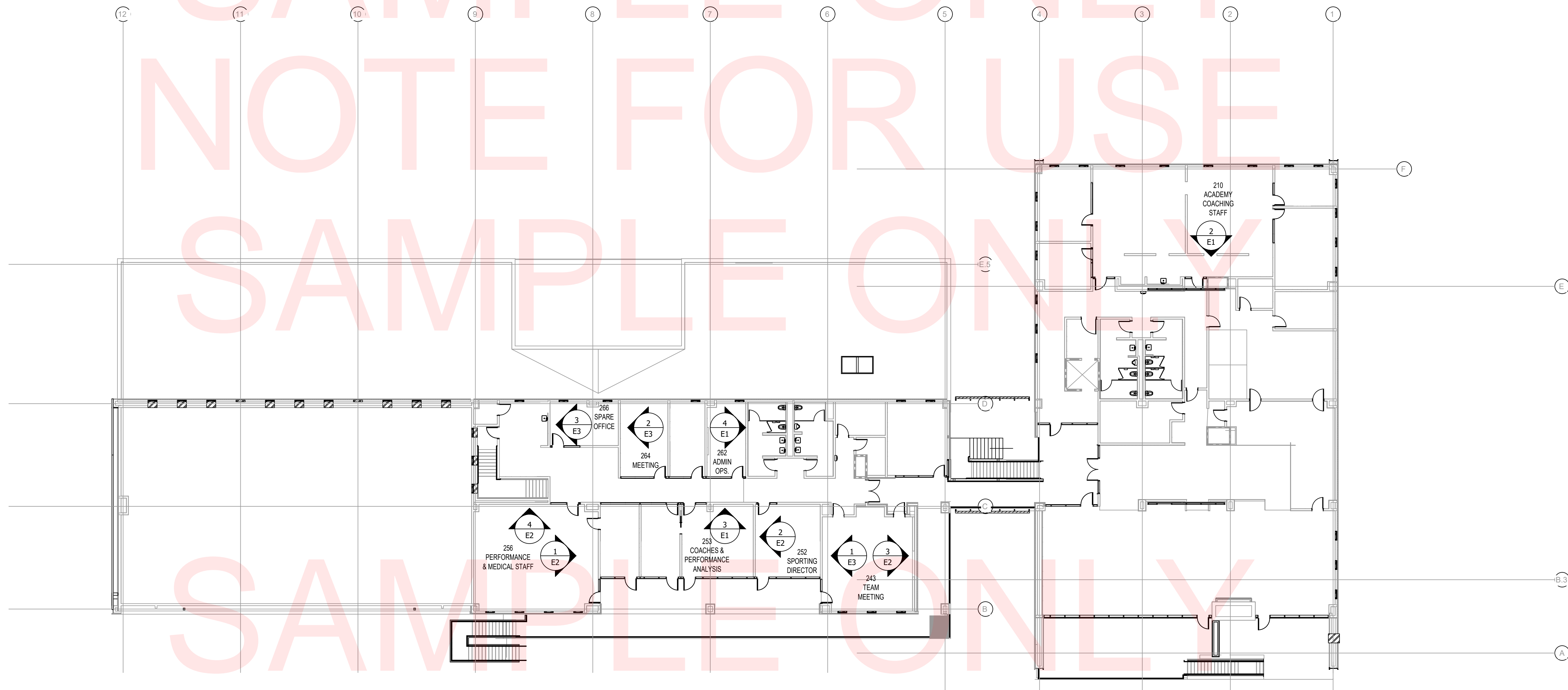
REVISION:

- 1.
- 2.
- 3.
- 4.
- 5.

PROJECT NR: 12345
DATE: 00-00-2000
DRAWN BY: XX
CHECKED BY: XX
SCALE: AS NOTED
SHEET NUMBER:

P1

SAMPLE ONLY
NOTE FOR USE
SAMPLE ONLY
NOTE FOR USE
SAMPLE ONLY



COMPANY
LOGO
HERE

COMPANY ADDRESS
CITY, STATE 12345
PHONE (123) 456-7890
www.companywebsite.com

STAMPS

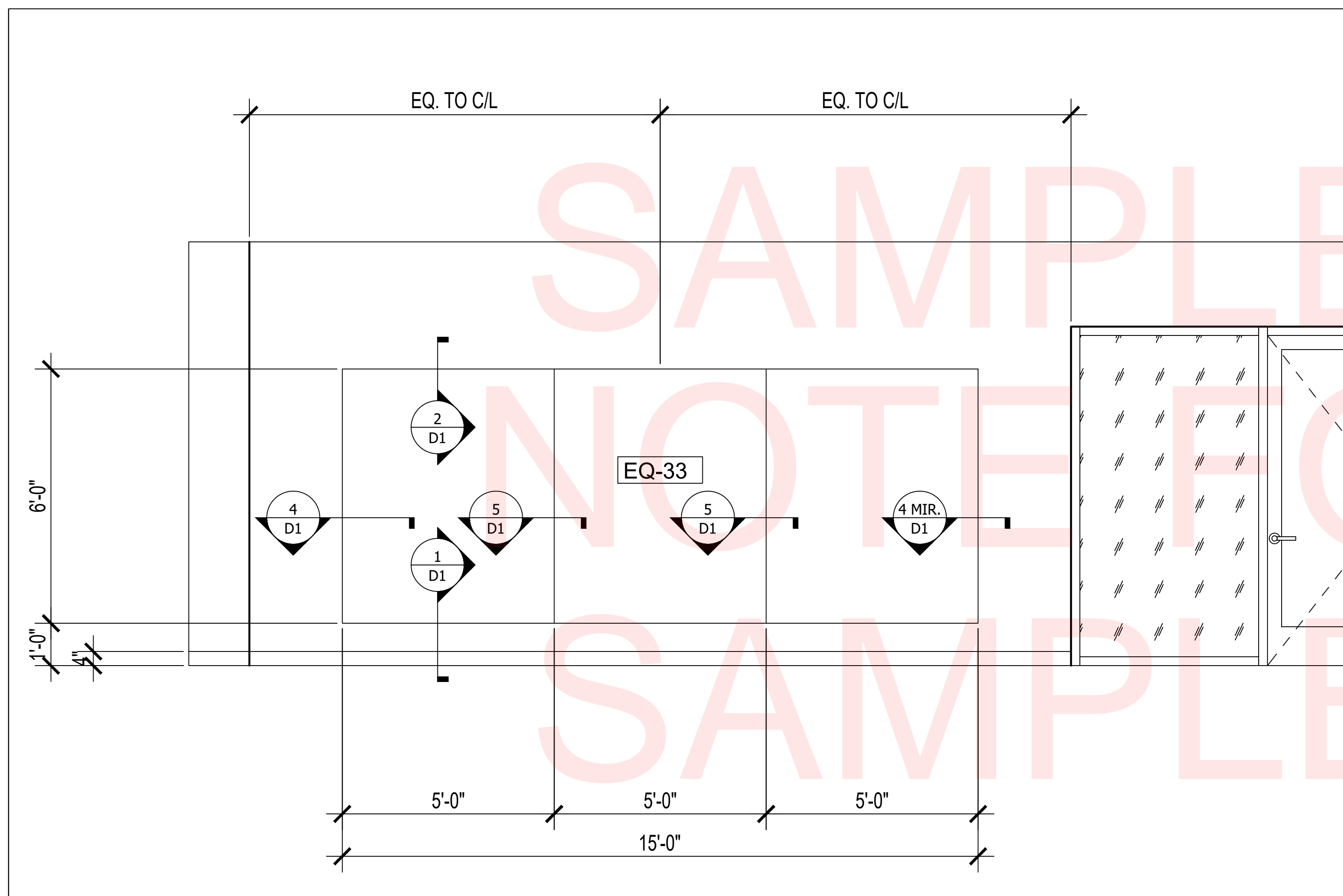
PROJECT NAME
PROJECT ADDRESS
CITY, STATE 12345

REVISION:

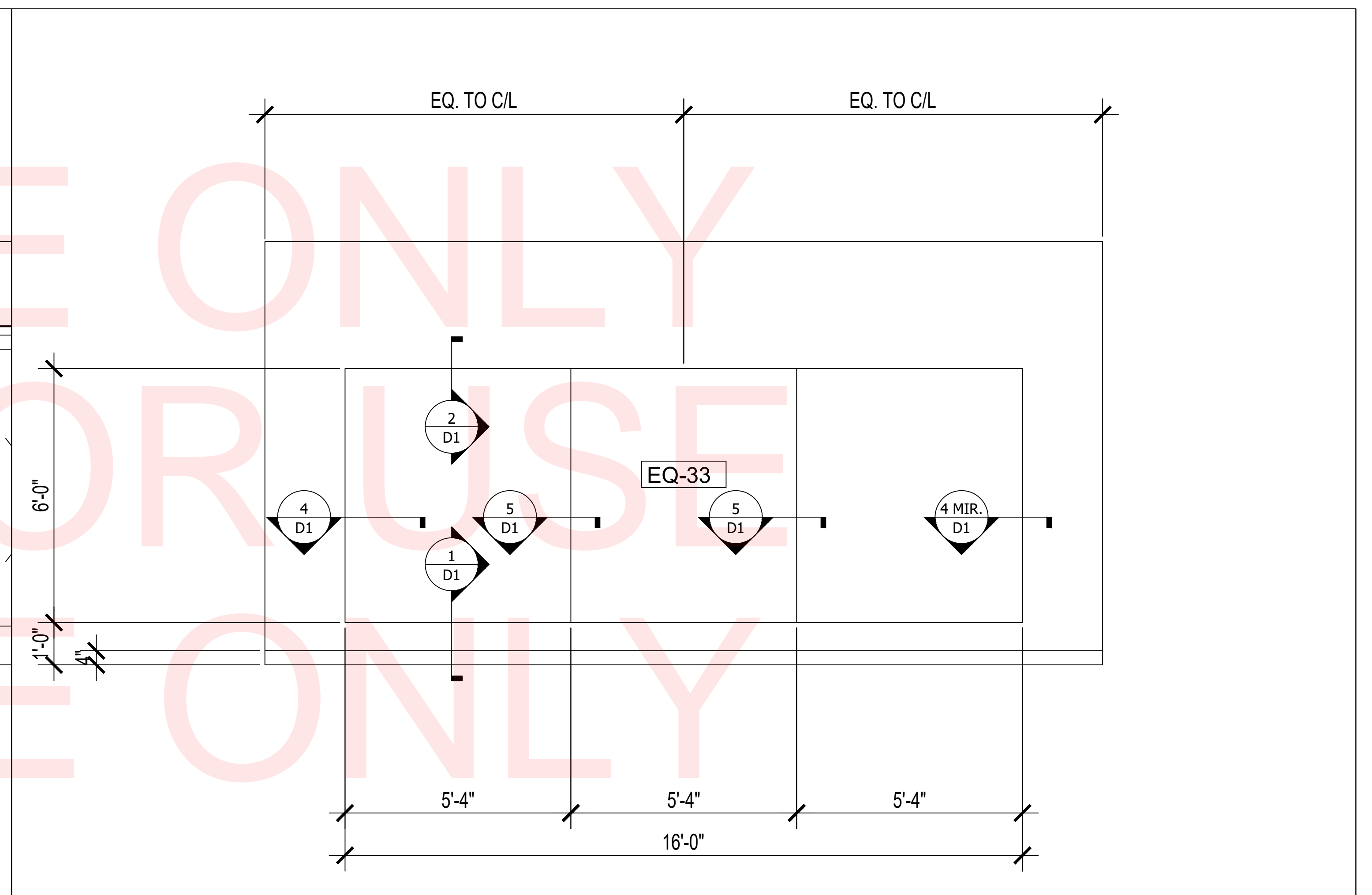
- 1.
- 2.
- 3.
- 4.
- 5.

PROJECT NR: 12345
DATE: 00-00-2000
DRAWN BY: XX
CHECKED BY: XX
SCALE: AS NOTED
SHEET NUMBER:

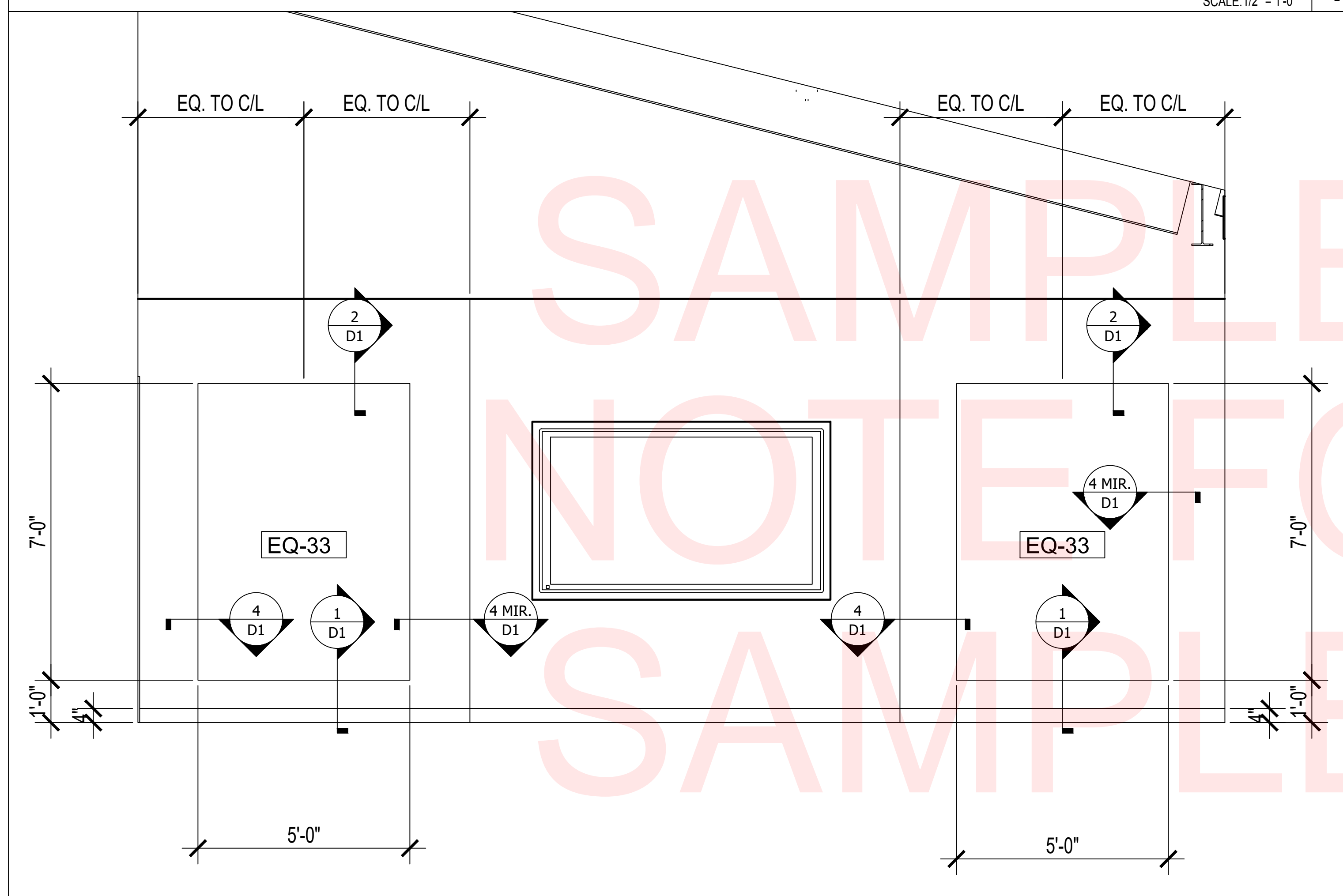
P2



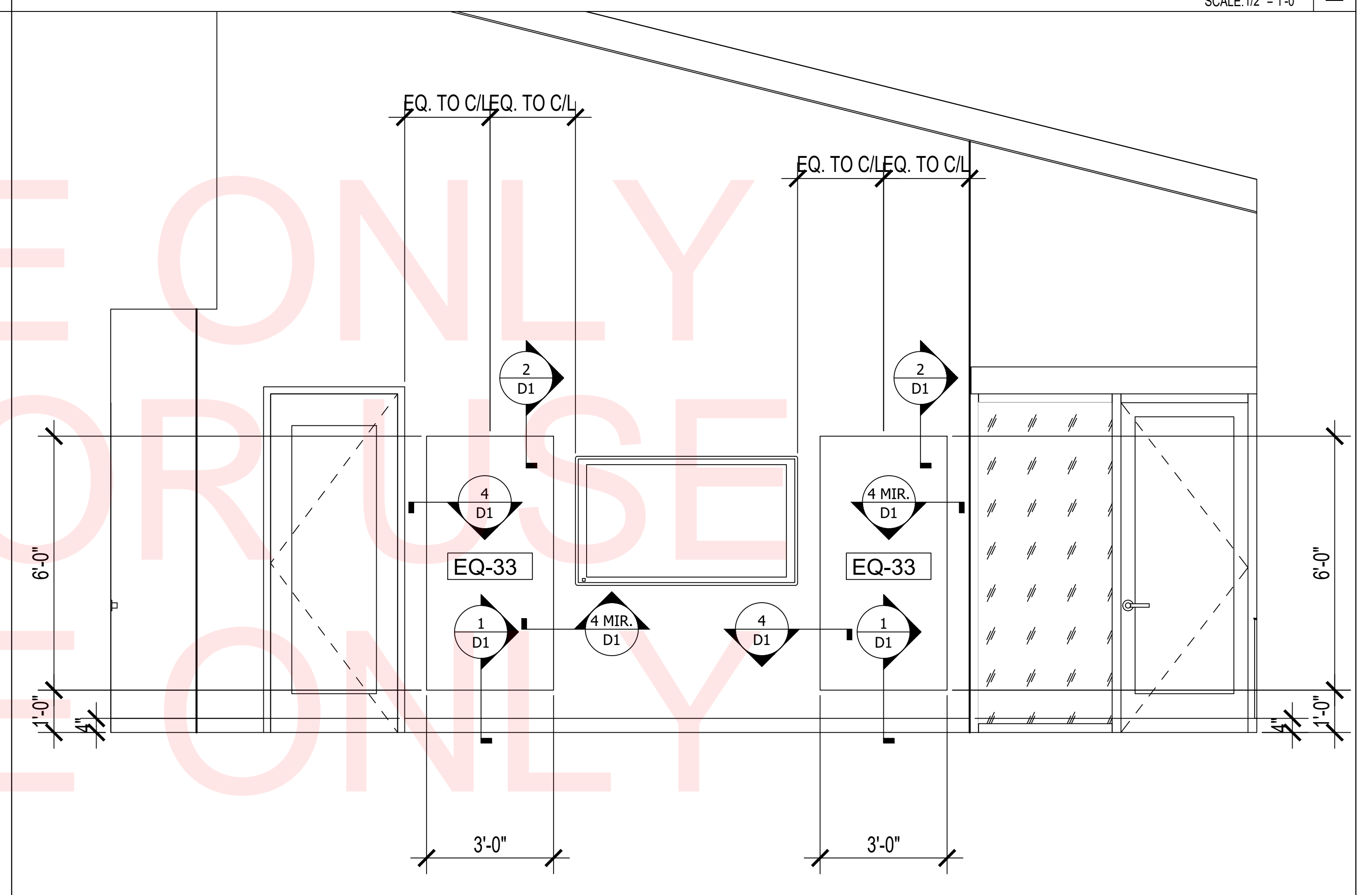
MEDICAL STAFF 256 - NORTH ELEVATION
SCALE: 1/2" = 1'-0" **4**



SPORTING DIR 252 - WEST
SCALE: 1/2" = 1'-0" **2**



TEAM MEETING 243 - EAST ELEVATION
SCALE: 1/2" = 1'-0" **3**



PERFORMANCE & MEDICAL 256 - EAST
SCALE: 1/2" = 1'-0" **1**

COMPANY LOGO
HERE
COMPANY ADDRESS
CITY, STATE 12345
PHONE (123) 456-7890
www.companywebsite.com
STAMPS

PROJECT NAME
PROJECT ADDRESS
CITY, STATE 12345

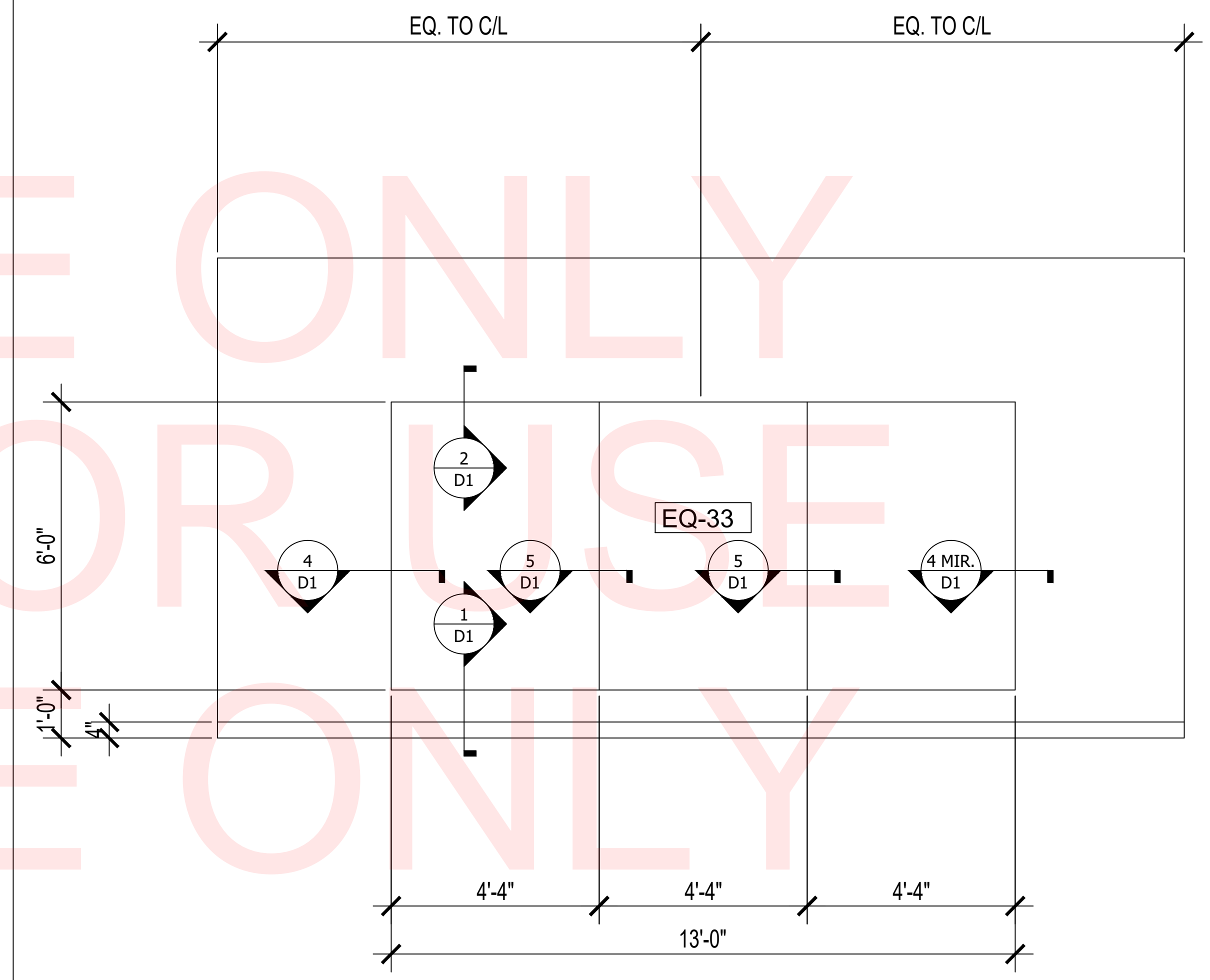
REVISION:

- 1.
- 2.
- 3.
- 4.
- 5.

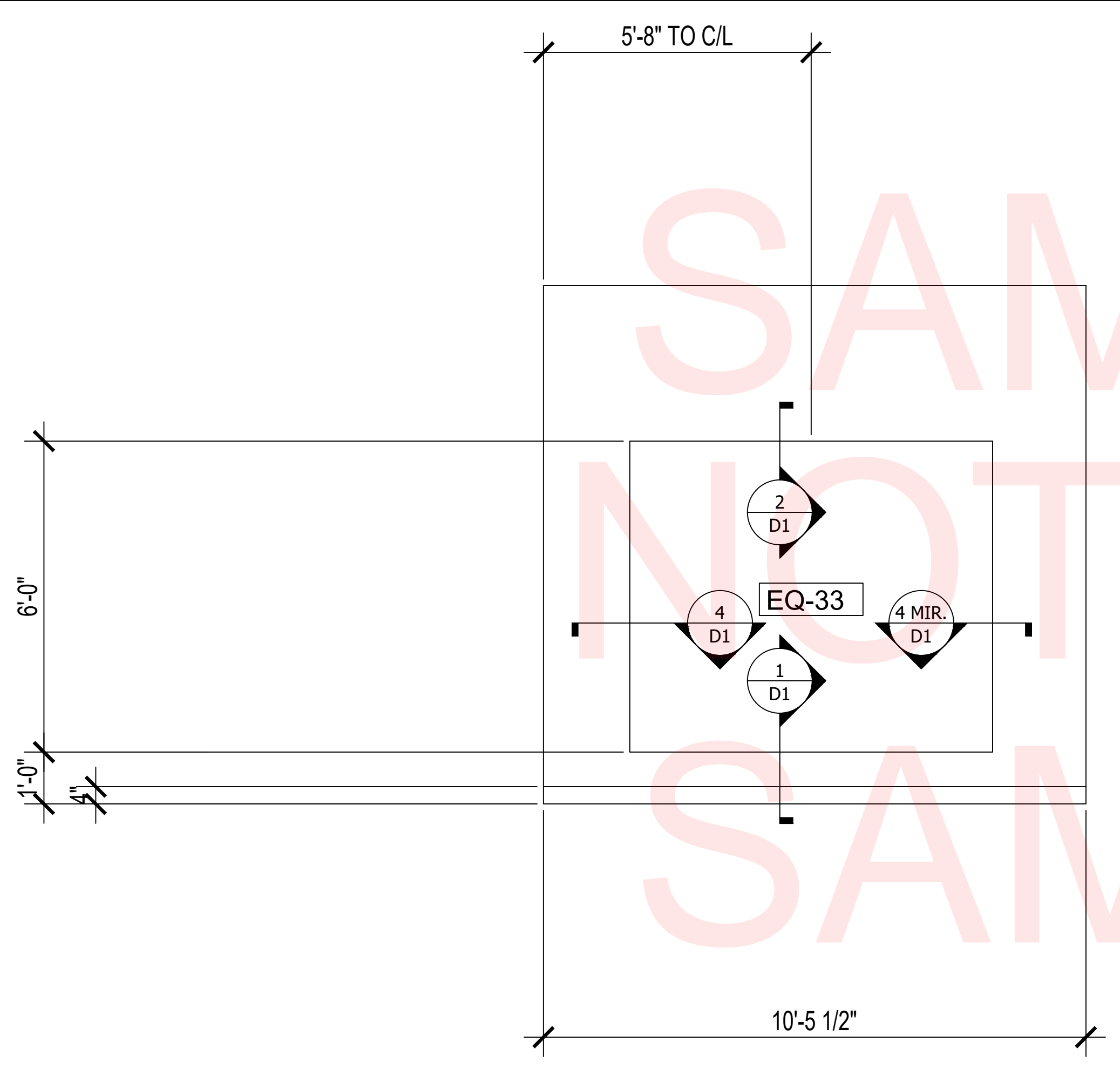
PROJECT NR: 12345
DATE: 00-00-2000
DRAWN BY: XX
CHECKED BY: XX
SCALE: AS NOTED
SHEET NUMBER:

E2

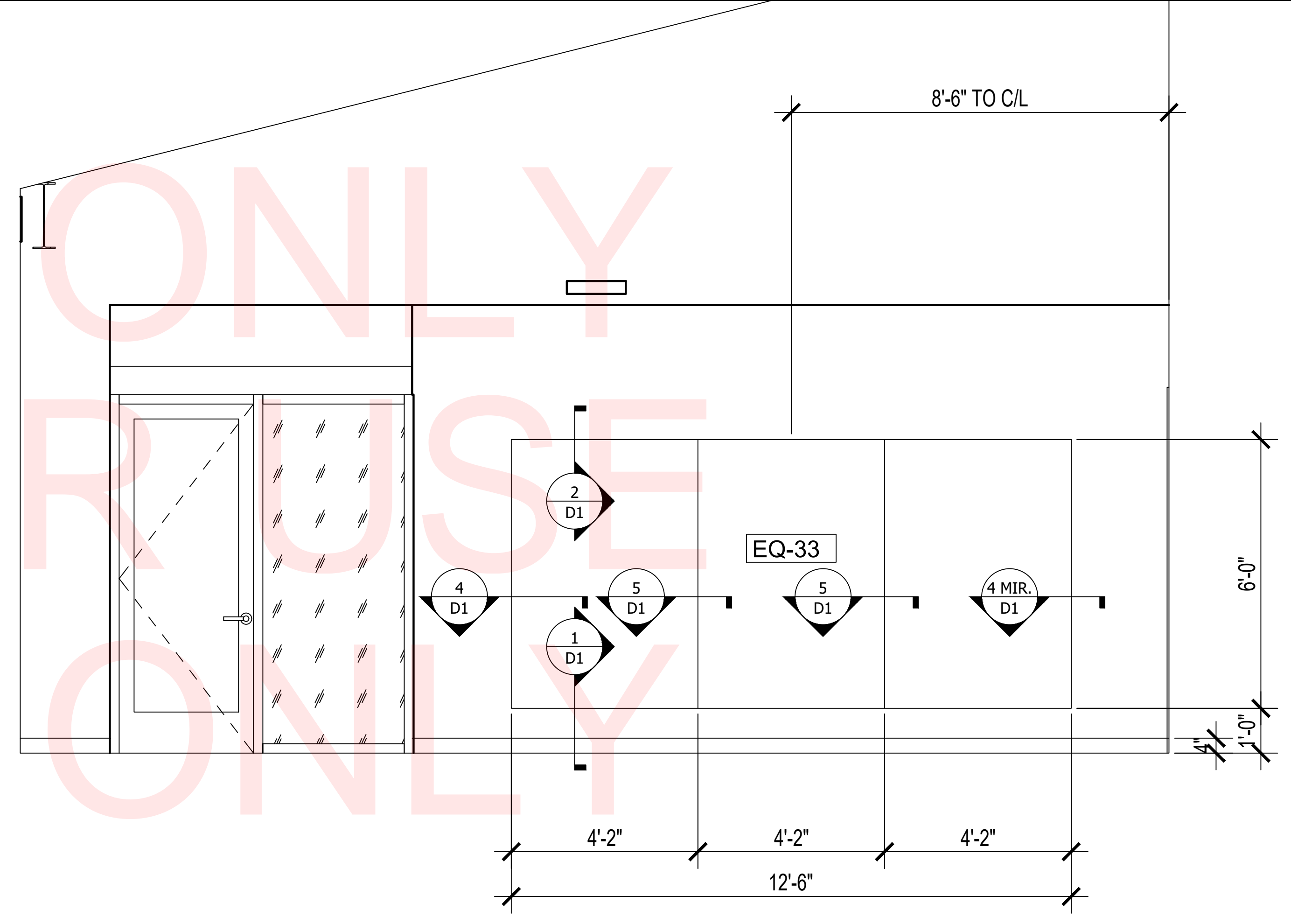
SAMPLE ONLY
 NOTE FOR USE
 SAMPLE ONLY



MEETING 264 - WEST
 SCALE: 1/2" = 1'-0" **2**



SPARE OFFICE 266 - WEST
 SCALE: 1/2" = 1'-0" **3**



TEAM MEETING ROOM 243 - WEST
 SCALE: 1/2" = 1'-0" **1**

COMPANY LOGO
 HERE
 COMPANY ADDRESS
 CITY, STATE 12345
 PHONE (123) 456-7890
 www.companywebsite.com
 STAMPS

PROJECT NAME
 PROJECT ADDRESS
 CITY, STATE 12345

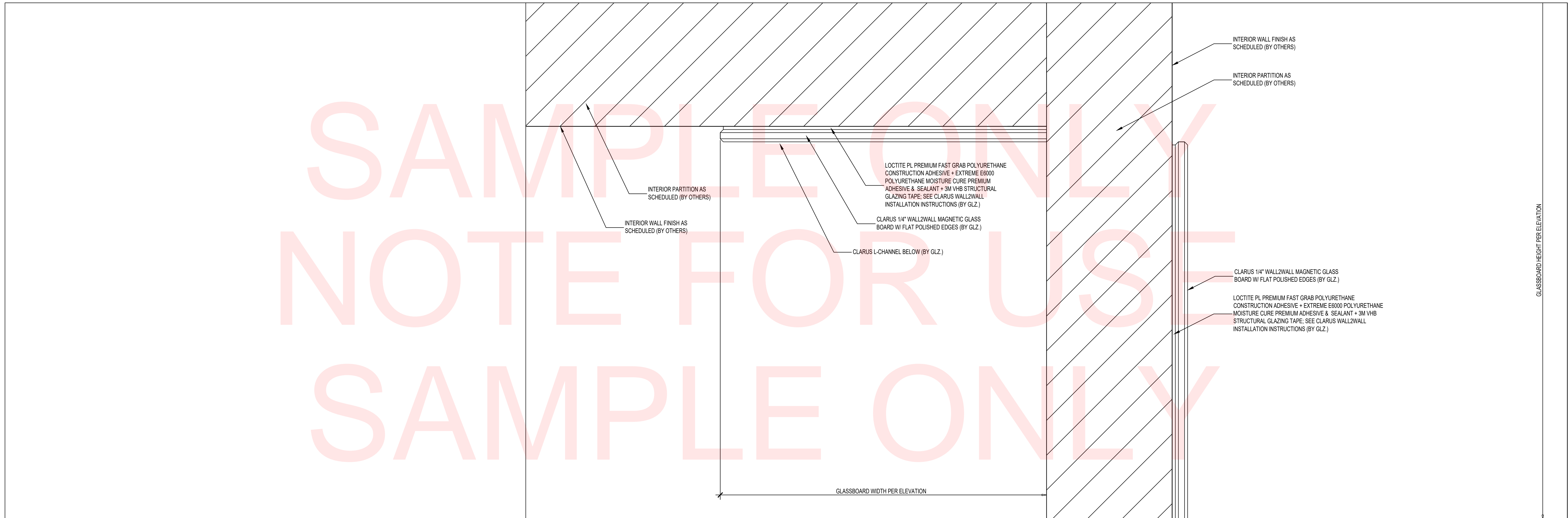
REVISION:

- 1.
- 2.
- 3.
- 4.
- 5.

PROJECT NR: 12345
 DATE: 00-00-2000
 DRAWN BY: XX
 CHECKED BY: XX
 SCALE: AS NOTED
 SHEET NUMBER:

E3

SAMPLE ONLY
NOTE FOR USE
SAMPLE ONLY

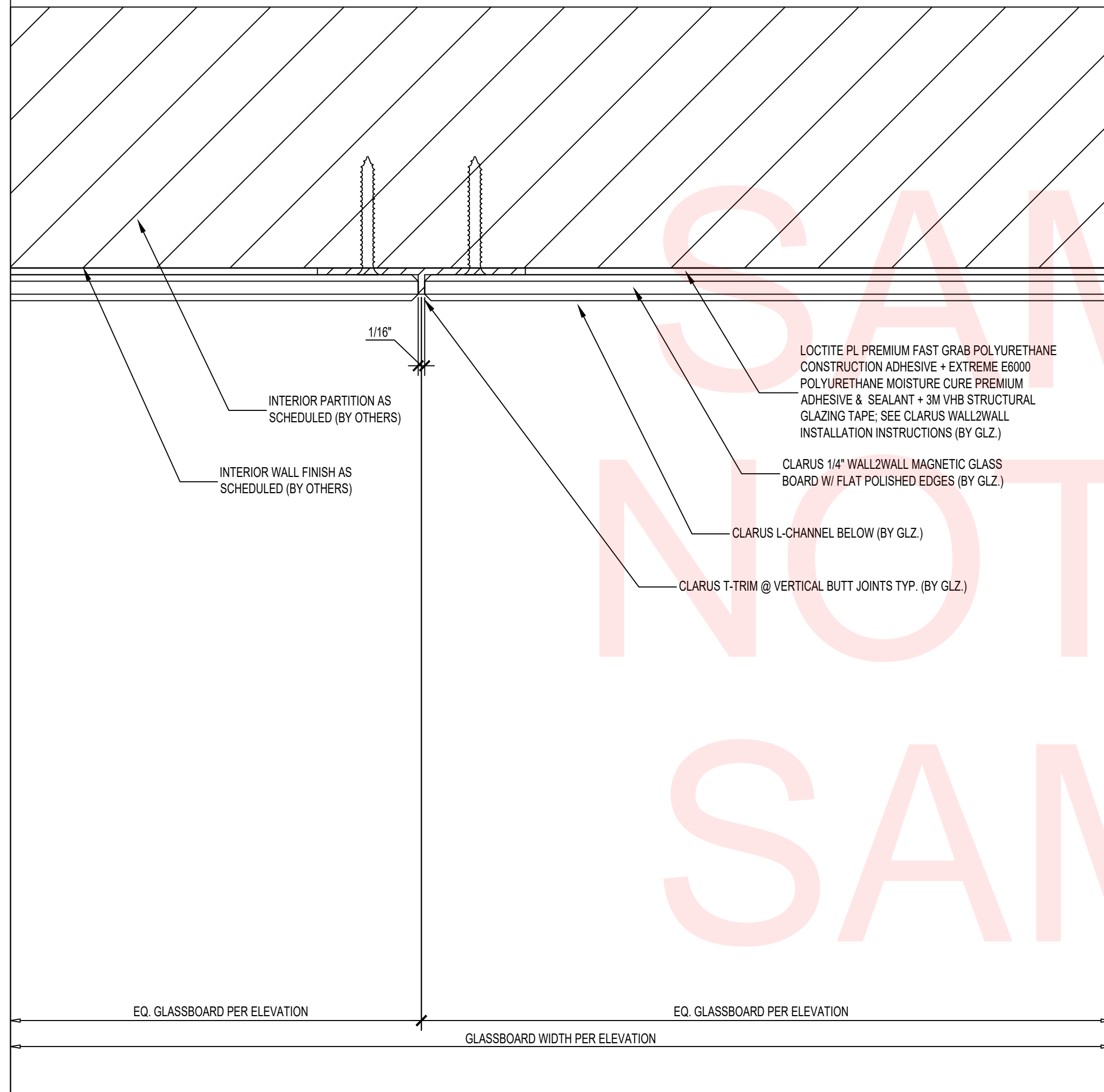


DETAIL - VERTICAL EDGE OF GLASSBOARD
SCALE:1:1

4

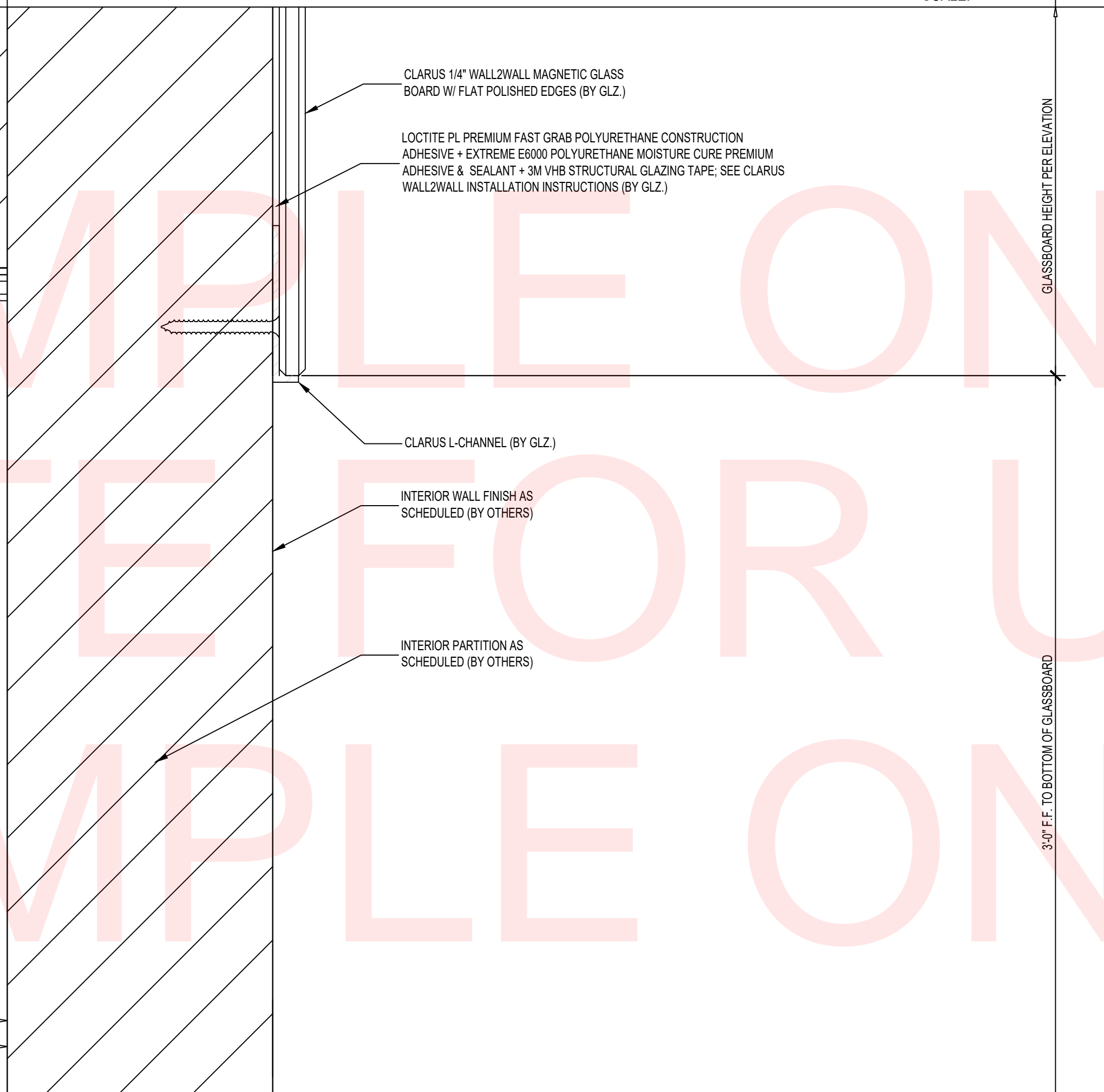
DETAIL - TOP OF GLASSBOARD
SCALE:1:1

1



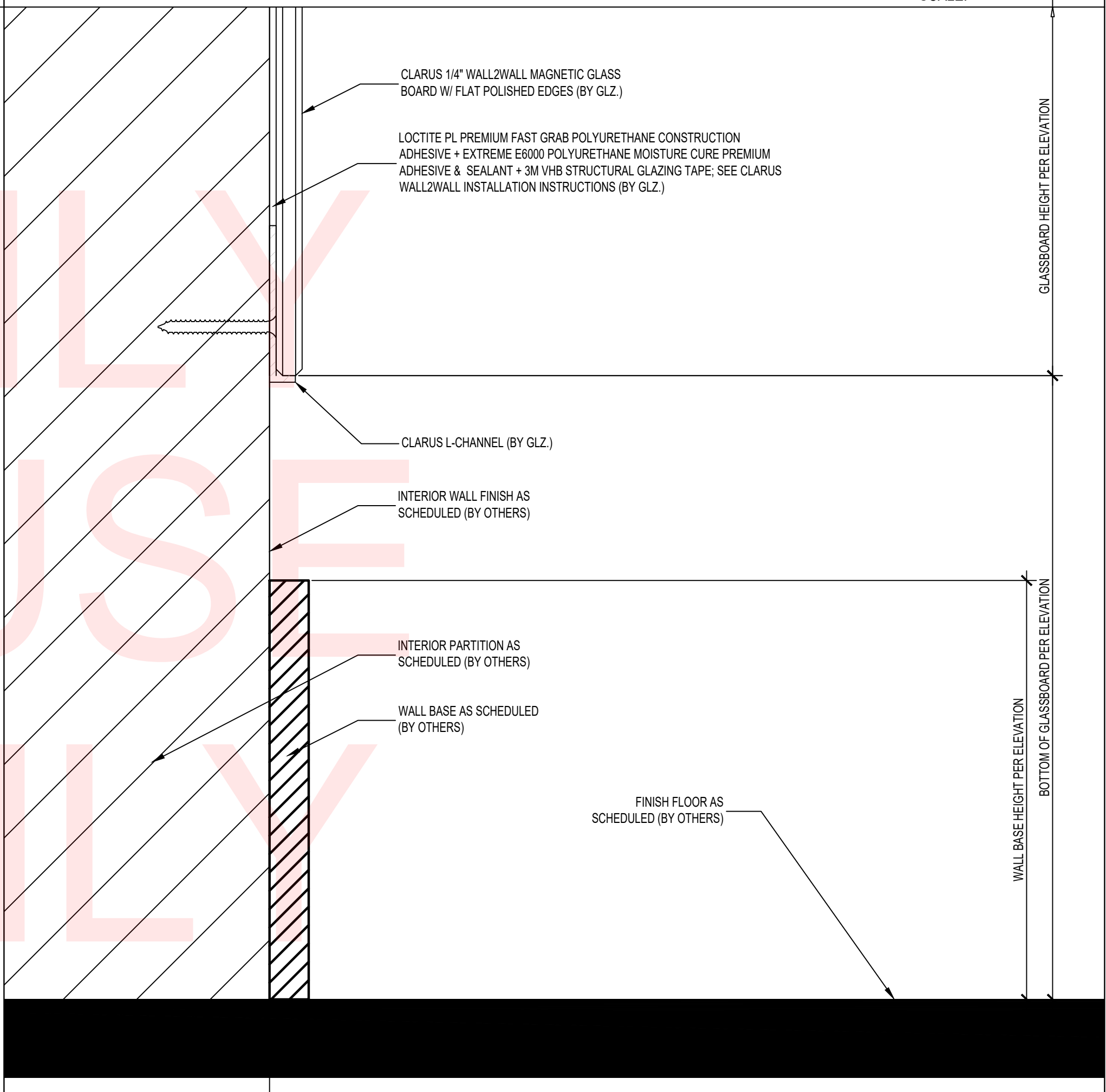
DETAIL - VERTICAL BUTT JOINT AT GLASSBOARD
SCALE:1:1

5



DETAIL - BOTTOM OF GLASSBOARD AT WALL SURFACE
SCALE:1:1

3



DETAIL - BOTTOM OF GLASSBOARD AT WALL BASE
SCALE:1:1

1

COMPANY
LOGO
HERE

COMPANY ADDRESS
CITY, STATE 12345
PHONE (123) 456-7890
www.companywebsite.com

STAMPS

PROJECT NAME
PROJECT ADDRESS
CITY, STATE 12345

REVISION:

- 1.
- 2.
- 3.
- 4.
- 5.

PROJECT NR: 12345
DATE: 00-00-2000
DRAWN BY: XX
CHECKED BY: XX
SCALE: AS NOTED
SHEET NUMBER:

D1