



# OCEANIC VENTURE & CO.

Mobile no: 9987083321/9820903752/  
7977948937 Office no : 8065486906

Email: [oceanicventure04@gmail.com](mailto:oceanicventure04@gmail.com)



***A HUB FOR MARINE SAFETY & ALL KIND OF  
DECK HARDWARE PRODUCTS***

# 1. ADULT LIFE JACKET OV95/OV120/OV140



<b>Application</b>	Aquatic Work Environments, Boating and Rowing, Commercial, and Industrial Shipping, Fishing, Flood and Natural Disaster Rescue, Home, Professional Equipment, Water Parks and Swimming Pools, Water Sports, Waterborne Transportation.
<b>Certificate</b>	CE APPROVED
<b>Closure Type</b>	Buckles
<b>Color</b>	Orange
<b>Filling Material</b>	Polyethylene Foam
<b>Reflective Elements</b>	Yes
<b>Shell Material</b>	Polyester
<b>Size</b>	Free
<b>Suitable for</b>	Adult
<b>Outside Material</b>	Terylene Oxford Textile
<b>Buoyancy Material</b>	EPE Polyethylene Foam
<b>Buoyancy Loss</b>	<5%
<b>Weight Capacity</b>	<ul style="list-style-type: none"><li>• 95 Kgs</li><li>• 120 Kgs</li><li>• 140 Kgs</li></ul>

## 2. JUNIOR LIFE JACKET OV35



<b>Application</b>	Aquatic Work Environments, Boating and Rowing, Commercial, and Industrial Shipping, Fishing, Flood and Natural Disaster Rescue, Home, Professional Equipment, Water Parks and Swimming Pools, Water Sports, Waterborne Transportation.
<b>Certificate</b>	CE APPROVED
<b>Closure Type</b>	Buckles
<b>Color</b>	Orange
<b>Filling Material</b>	Polyethylene Foam
<b>Reflective Elements</b>	Yes
<b>Shell Material</b>	Polyester
<b>Size</b>	Free
<b>Suitable for</b>	Kids
<b>Outside Material</b>	Terylene Oxford Textile
<b>Buoyancy Material</b>	EPE Polyethylene Foam
<b>Buoyancy Loss</b>	<5%
<b>Weight Capacity</b>	<ul style="list-style-type: none"><li>• 35 kgs</li></ul>

### 3. RHINO ADULT LIFE JACKET



<b>Application</b>	Aquatic Work Environments, Boating and Rowing, Commercial, and Industrial Shipping, Fishing, Flood and Natural Disaster Rescue, Home, Professional Equipment, Water Parks and Swimming Pools, Water Sports, Waterborne Transportation.
<b>Gender</b>	Unisex
<b>Closure Type</b>	Buckles
<b>Color</b>	Bright Orange or Yellow
<b>Filling Material</b>	Polyethylene Foam
<b>Lining</b>	Soft, breathable mesh lining
<b>Shell Material</b>	Polyester
<b>Size</b>	Free
<b>Suitable for</b>	Adult
<b>Weight Capacity</b>	<ul style="list-style-type: none"><li>• 75 Kgs</li></ul>

## 4. RHINO JUNIOR LIFE JACKET



<b>Application</b>	Aquatic Work Environments, Boating and Rowing, Commercial, and Industrial Shipping, Fishing, Flood and Natural Disaster Rescue, Home, Professional Equipment, Water Parks and Swimming Pools, Water Sports, Waterborne Transportation.
<b>Gender</b>	Unisex
<b>Closure Type</b>	Buckles
<b>Color</b>	Bright Orange or Yellow
<b>Filling Material</b>	Polyethylene Foam
<b>Lining</b>	Soft, breathable mesh lining
<b>Shell Material</b>	Polyester
<b>Size</b>	Free
<b>Suitable for</b>	Kids
<b>Weight Capacity</b>	<ul style="list-style-type: none"><li>• 35 Kgs</li></ul>

## 5. VALERIA LIFEJACKET



<b>Purpose</b>	Help keep a person afloat in water and reduce the risk of drowning.
<b>Application</b>	Boating, kayaking, rafting, fishing, water transport, and emergency situations
<b>Closure Type</b>	Buckles
<b>Certificate</b>	Solas
<b>Color</b>	Bright Orange or Yellow
<b>Filling Material</b>	Polyethylene Foam
<b>Shell Material</b>	Polyester
<b>Size</b>	Free
<b>Suitable for</b>	Adults
<b>Weight Capacity</b>	180 KG



## 6. INFLATABLE LIFE JACKET CREW SAVER 150 TON



- Provides a minimum of 35lbs of buoyancy when inflated Compact and lightweight to suit everyday use with any clothing Durable cover.
- Easy to repack after inflation.
- Form-fitting neckline allows for greater range of head movement Webbing tidy's
- Manual inflation tube
- Unique chin support tilts your head back to help keep your airways clear Light or light attachment point included in all lifejackets, a light is essential if you are making a long voyage or night passage.
- Supplied with an approved whistle.

# 7. INFLATABLE LIFE JACKET SIGMA 170N & LAMBDA 275N



<b>Material</b>	Soft PVC fabric material & belt material is top quality, into a nylon reflective tape. Individual fabric covers four tailored pieces. 2 x 33-gram CO2 red valise with Velcro and Retro bottle if provided
<b>Features</b>	Easy access whistle & life jacket light position, comfortable to wear, Easy re-packing, lifting loop & prices fit design, user infrastructures imprint. Instruction manual is provided for how to wear it on entering water this jacket inflates automatically.
<b>Application</b>	Water ride, cruise marine applications. Sea going ships, oil shore installation. Suitable for adult having chest size 70 to 150 cm (28" to 56")
<b>Color</b>	Red or Yellow
<b>Buoyancy</b>	150N (33g CO <sub>2</sub> ) or 270N (60g CO <sub>2</sub> )
<b>Adjustability</b>	Chest size up to 175 cm, expandable with belt extender
<b>Size</b>	Free
<b>Benefits</b>	Fast inflation, even under extreme temperatures High visibility, ensuring easy user location Compact and adjustable design for convenient storage and comfortable use



## 8. LIFE JACKETS LIGHTS



Designed to operate safely in potentially explosive atmospheres, it is fully compliant with the ATEX Directive 2014/34/EU and the IECEx scheme. Water-activated, extra powerful LED light with luminous intensity exceeding 0,75 cd. ON-OFF button for manual operation when out of the water. High performance and sustainability, with lithium battery that ensures 5-year lifetime and more than 8 hours of continuous operation. Operating Temperature: from  $-35^{\circ}\text{C} < T_a < +80^{\circ}\text{C}$ . Durable plastic housing, 100% waterproof via ultrasound welding and epoxy resin for extra safety. With attachment clamp for variety of lifejacket sizes/types, that fits & locks easily in two moves (for every 20 - 40 mm lifejacket belt), providing a secure fitting and preventing the light from being dislodged by brusque movements. Clearly marked approvals for inspection purposes.

Ideal for

- offshore oil and gas platforms
- oil tankers and chemical tankers
- refineries and petrochemical plants
- hazardous industrial zones (ATEX Zones 0, 1, or 2)

## 9. RING BUOY 2.5 KG



<b>Model</b>	MMLB2.5
<b>OD</b>	720 mm
<b>ID</b>	420 mm
<b>Depth</b>	100 mm
<b>Drop Height</b>	30 mtrs
<b>Size</b>	76.2 cm (Diameter)
<b>Colour</b>	Orange
<b>Material</b>	Polyurethane
<b>Buoyancy</b>	145N
<b>Product Dimensions</b>	76.2L x 76.2W Centimetres
<b>Item Weight</b>	2.800 Kilograms
<b>Age Range</b>	Adult (18+ Years)
<b>Special Feature</b>	4 Strong Grab Lines for Secure Holding, High-Visibility Orange with Reflective Tape, Lightweight (2.5 kg) Yet Durable Construction, Quick-Throw Design for Emergency Rescue, Weather & UV-Resistant Polyurethane Foam



# 10. RING BUOY 4 KG



<b>Model</b>	MMLB2.5
<b>OD</b>	720 mm
<b>ID</b>	420 mm
<b>Depth</b>	100 mm
<b>Drop Height</b>	30 mtrs
<b>Size</b>	76.2 cm (Diameter)
<b>Colour</b>	Orange
<b>Material</b>	Polyurethane
<b>Buoyancy</b>	145N
<b>Product Dimensions</b>	76.2L x 76.2W Centimetres
<b>Item Weight</b>	4 Kilograms
<b>Age Range</b>	Adult (18+ Years)
<b>Special Feature</b>	4 Strong Grab Lines for Secure Holding, High-Visibility Orange with Reflective Tape, Lightweight (2.5 kg) Yet Durable Construction, Quick- Throw Design for Emergency Rescue, Weather & UV-Resistant Polyurethane Foam
<b>Weight Limit</b>	100 Kilograms
<b>Personal Flotation Device Type</b>	Buoyancy Aid



## 11. SI LIGHTS



- Floating LED Buoy Yellow and Orange light fishnets and signalling at sea.
- Switches on by manual selector or by automatic twilight activator under 50 lux (turns off over 50 lux). Flashes every 5 seconds within 3 miles range.
- Power source: 2 AA type batteries (included), light autonomy: about 25 nights.



## 12. BUOYANT LIFELINE



- Material: PP Filament Rope Color: Orange / Yellow Length: 30m / 25m Diameter:  $\Phi 8\text{mm}$
- Nylon Handle Strap: Enable a rescuer to hold the Buoyant Line firmly at one end in survival situation Minimum Breaking Strength: 6 kN
- Usability: It is suitable to throw the lifebuoy rings to the drowning personnel.

## 13. RESQUE QUIT



Soft rubber throwing Quoit with approx. 30 meters of 5mm PE braided rope. The Rubber Ring (Quoit) floats in water but has enough weight that it can be thrown far distances when a man overboard situation occurs. The whole unit is small enough to be stowed in most line throwing holders and provides one of the best values for money options for safety throw ropes.

### Specifications

- Outside Diameter of Ring: 155mm
- Rope Diameter: 5mm PE
- Rope Length: 30m

## 14. BUOYANT APPARATUS



Buoyant apparatus is flotation equipment (other than lifeboats, life rafts, and personal flotation devices) designed to support a specified number of persons in the water, are available in capacity of 8,10,12,14 & 20 as per MMD/ MMB norms.



## 15. HANDHELD TORCH



Beam Distance	Long Range
Mounting Type	Handheld
Model No.	TD-70004-50W-P70
Power	15 W
Battery Type	Lithium-ion
Body Material	ABS
Battery	Rechargeable
Usage	Fire Emergency, Patrolling, Camping, Flood Rescue



- TD-70004-50W-P70 LED Mobile lighting TD-7000A-50W-P70
- Rechargeable Let me light up your night lights Digital Searchlight
- T6 upgraded version of the second-generation Energy saving. Imported parts Super waterproof Microcomputer control.

## 16. FIRST AID KIT BOX



First Aid Kit (Model: HI / FAK / 116) is manufactured as per SOLAS.

Standard & Merchant Shipping It is approved by Indian Registrar of Shipping Mumbai.



# 17. MEGAPHONE SPEAKER

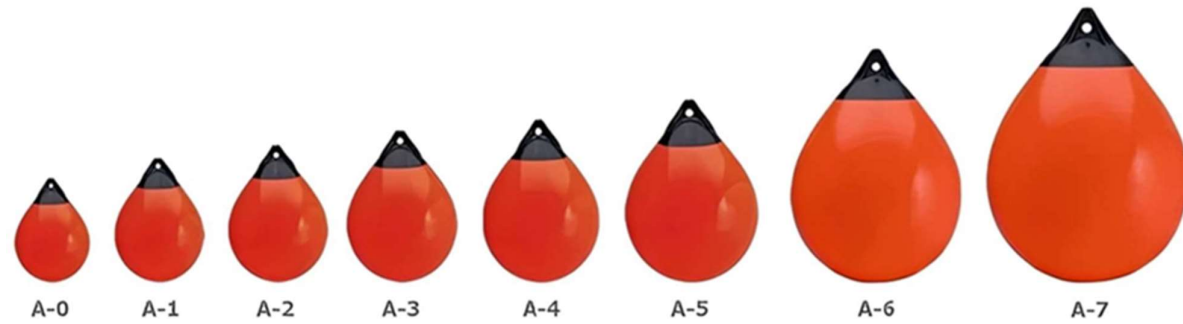


<b>Power Source</b>	Battery Powered, Corded Electric, Rechargeable
<b>Connector Type</b>	USB
<b>Material</b>	ABS Plastic
<b>Weight</b>	500 Grams
<b>Audio Input</b>	Microphone, USB, Other Audio Devices
<b>Recommended Uses for Product</b>	Security, Schools, Firefighters, Public Announcement, Event, Public Meetings, Cheer Leaders, Emergency, Office etc
<b>Dimensions</b>	22 x 21.9 x 13.4 cm; 500 g
<b>Batteries</b>	1 Lithium-Ion batteries required. (included)
<b>Mounting Hardware</b>	Megaphone speaker, Rechargeable Battery, Battery Charger, USB Cable - Each 1 No.
<b>Audio Wattage</b>	30 Watts



**BACK PANNEL**

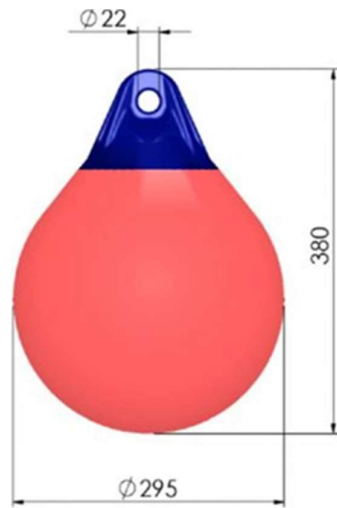
# 18. APPLE BOUYES



• AVAILALABLE IN 8 SIZES



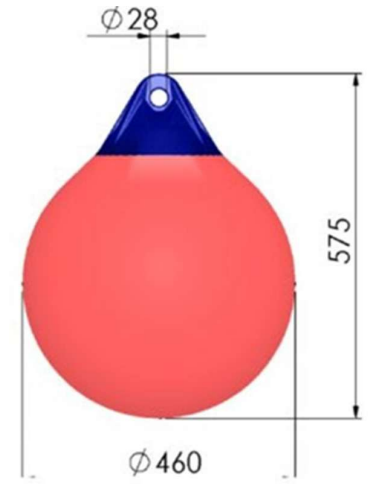
**Polyform A0 Heavy Duty Buoy**



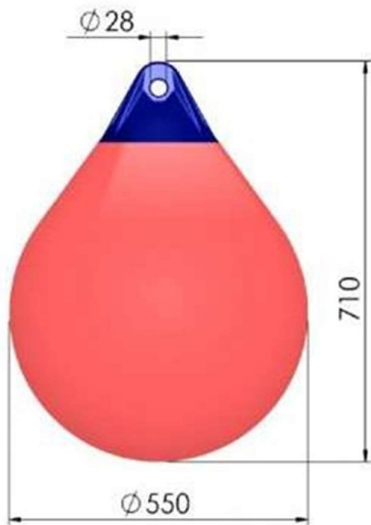
**Polyform A1 Heavy Duty Buoy**



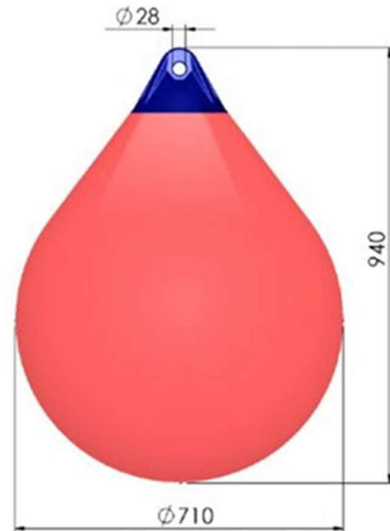
**Polyform A2 Heavy Duty Buoy**



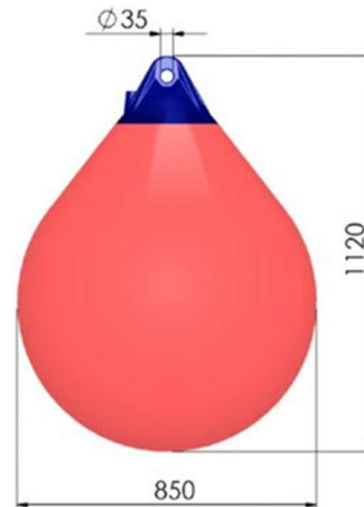
**Polyform A3 Heavy Duty Buoy**



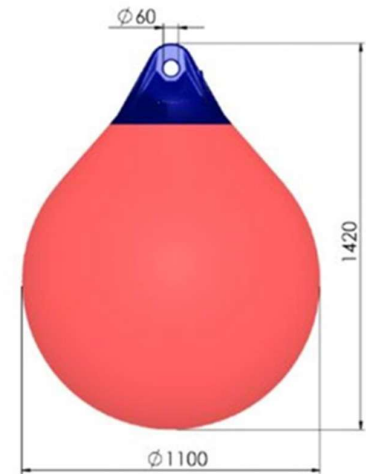
**Polyform A4 Heavy Duty Buoy**



**Polyform A5 Heavy Duty Buoy**



**Polyform A6 Heavy Duty Buoy**

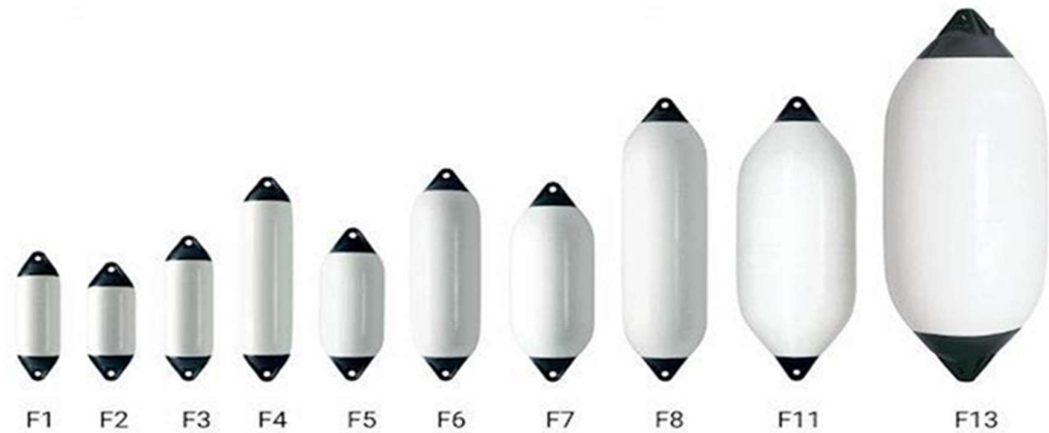


**Polyform A7 Heavy Duty Buoy**

# 19. POLYFORM'S FENDER

## FEATURES

- Wide range of sizes to suit any vessel.
- Unique vinyl valve seals securely
- Even wall thickness for maximum strength and durability
- Multiple ribbed reinforced rope holds.
- Twin – eye design for vertical or horizontal use.
- Designed for use in permanent unprotected moorings, pilings, locks and concrete walls.



Model	Dimensions (cm)	Recommended Boat Size
F-1	15,2 × 61,0	20'-25'
F-02	19,1 × 66,0	20'-30'
F-2	20,8 × 63,5	20'-30'
F-3	20,8 × 76,2	20'-30'
F-4	21,6 × 102,9	30'-35'
F-5	27,9 × 76,2	30'-40'
F-6	27,9 × 106,7	35'-50'
F-7	38,1 × 104,1	50'-60'
F-8	38,1 × 147,3	50'-70'
F-10	45,7 × 127,0	60'-70'
F-11	53,8 × 146,1	60' and up

# 20. DINGHY BOATS



Model Num: - BP175 / IBP200 / IBP230 / IBP260 / IBP300

## Specifications

- 4 internal rod holders
- 2 watertight 8" luggage compartments
- Handles for carrying the kayak.
- Side handles for carrying the kayak.
- 8 drain plugs.
- Drain plug.
- Rigging at the stern
- 2 foam seats with backrests.
- 2 built in beverage places.



### INFLATABLE FISHING BOAT

<b>Features:</b>	Premium-Grade Material	Length: 3 meters	<b>Specifications:</b>
	Compact & Portable	Width: 1.4 meters	
	Ergonomic Design	Loading Capacity: 400 kg	
	Enhanced Fishing Features	Material: 0.9mm PVC	
	Easy Setup	Chambers: 3	
<b>Why Choose Fishing Boat?</b>			
• <b>Versatility:</b> Ideal for fishing, leisure trips, or as a yacht tender.			
• <b>Durability:</b> Engineered to withstand rugged environments.			
• <b>Ease of Use:</b> Quick setup and portability make it perfect for both beginners and seasoned anglers.			



## 21. RESCUE BOATS

### Model. UB320

- Length (CM). 320 Width (CM). 151 Tube Diameter (CM).
- 42 Air Chamber. 3+1 Max Engine (HP). 10 Max Persons.
- 4 Max Loading (KG). 465 |Gross Weight (KG). 60 Material. PVC/Hypalon

### Model. UB420

- Length (CM). 420 Width (CM). 191 Tube Diameter (CM).
- 50 Air Chamber. 4+1 Max Engine (HP). 25 Max Persons.
- 6 Max Loading (KG). 800 |Gross Weight (KG). 90 Material. PVC/Hypalon

### Model. UB480

- Length (CM). 480 Width (CM). 190 Tube Diameter (CM).
- Air Chamber. 4+1 Max Engine (HP). 30 Max Persons.
- 8 Max Loading (KG). 1000 |Gross Weight (KG). 102 Material. PVC/Hypalon

### Model. UB520

- Length (CM). 520 Width (CM). 220 Tube Diameter (CM).
- 55 Air Chamber. 5+1 Max Engine (HP). 40 Max Persons.
- 10 Max Loading (KG). 1200 |Gross Weight (KG). 119 Material. PVC/Hypalon

### Model. UB600

- Length (CM). 600 Width (CM). 230 Tube Diameter (CM)
- 60 Air Chamber. 7+1 Max Engine (HP). 90 Max Persons.
- 14 Max Loading (KG). 1700 |Gross Weight (KG). 129 Material/Hypalon



## 22. WATER SPORT SAFETY HELMET



### Features:

- These lightweight, waterproof, and durable water sport helmets
- 11 air vent design.
- Made from a hard PC Alloy hard shell, waterproof EVA inner and with ear protectors as standard it is both a very safe and reliable helmet.
- Available in a bright colour to improve visibility on the water.
- All helmets have a ratchet wheel adjustment to ensure the perfect fit.

<b>Colour</b>	ORANGE, YELLOW, RED
<b>Age Range (Description)</b>	Adult
<b>Size</b>	L
<b>Special Feature</b>	Adjustable Strap
<b>Outer Material</b>	Acrylonitrile Butadiene Styrene (ABS), Plastic
<b>Recommended Uses For Product</b>	Rafting
<b>Dimension</b>	15 x 8 x 15 Centimetres
<b>Inner Material</b>	Foam
<b>Weight</b>	850 Grams
<b>Style</b>	Half Size



## 23. OARS LOCK



- Oar row locks are used to secure rowing oars to your boat.
- Reinforced super tough black synthetic plastic, rustproof, rattle and squeak free.

## 24. OARS PADDLE



### Description:

- A kayak paddle has two blades attached to the shaft of the paddle. The shaft is the part of the paddle that you hold, and the blades are the part that you use to pull yourself and the kayak through the water. The paddle is longer than a canoe paddle. and is handled from the middle of the shaft.
- Made of high strength PVC material, thickened, reinforced, wear - resistant, not easy to break.
- Lightweight, foldable, and easy to carry.
- Easy to install and convenient to use.
- Suitable for various water entertainments, sports, activities and competitions of canoeing, kayaking, rafting and inflatable boat, etc.
- Complete your boat safety supply kit with this durable expanding paddle.

### Specification:

- Material: PVC
- Size: 53x16cm/20.87x 6.30 inch
- Length: 53-108cm/20.87-42.52 inch



## 25. SAFETY PRODUCT

### HEAT DETECTOR



The Discovery Marine Heat Detector is specially designed to withstand demanding maritime environments. Featuring a low airflow housing, it allows optimum flow, thus improving the accuracy of thermal detection. Thanks to its unique thermistor, the detector effectively monitors the temperature of the surrounding air, ensuring a quick response to the heat variations. Its robustness and reliability make it an ideal choice for ships and other maritime applications, ensuring increased safety against fire risks. Compact and easy to install, the Discovery detector is essential for the protection of people and equipment in critical environments.



### SMOKE DETECTOR



Smoke alarms are essential safety devices available in various types, including **photoelectric, ionization, and dual-sensor models**, with many modern options offering smart home integration. The best choice depends on the specific location and the type of fire risk present.



## 26. MARINE COMPASS

### NAVTECH 65/35-BK/WH



Made from durable ABS material, it is waterproof and corrosion-resistant, suitable for harsh marine conditions. ILLUMINATED Marine. Compass 12 Volt Corrosion Resistant



### OFFSHORE 95 COMPASS BK/WH



- Boat size: From 5 to 9 M (17 to 30 Ft )
- Integrated 12V or 24V LED lighting is standard, spreading illumination evenly to prevent eye strain during night use.



# OFFSHORE 135 COMPASS BK/WH



- Boat size: 9 Meters and above (30 FT +)
- It includes 12/24 V LED lighting for visibility during night navigation.



# ANALOG COMPASS



This is compass, for fishing vessel use , Round marine/navigation compass Clearly marked 360° scale (0– 360 degrees) Direction indicators: N, NE, E, SE, S, SW, W, NW High-contrast black markings on white dial for easy readability Central dome/float capsule for smooth needle movement CPS 130 marking visible on dial Sturdy white outer casing Designed for boat, ship, or marine navigation Likely flush or surface mount type Suitable for dashboard or control panel installation Analog, non-digital compass Built for outdoor and marine conditions.



## 27. ANCHOR



### DANFORTH ANCHOR

Material: GI & SS

Weight: 5 to 25 Kgs



### GALVANIZED FOLDING ANCHOR

Sizes available between 3 kg - 35 kg



### FISHERMAN ANCHOR WITH 5 ARROWS (GRAPNEL)

Size Available between 3 kg – 5 Kg / 6 Kg 60 Kg / 65 Kg -125 Kg



### EMERALD ANCHOR

MS Anchor with 2 Arrows



### DELTA ANCHOR

high holding power-to-weight ratio and perform.



## 28. ICOM

### IC – M25



- 5-watt output power for reliable marine communication
- Slim, lightweight design – only 218g and 30.5mm thick
- IPX7 waterproof rating – submersible to 1m for 30 minutes
- Float'n Flash™ – flashes LED light and backlit display when floating.
- USB charging (Micro-B) – charge via power bank, car, or solar
- Loud 550mW speaker output with AquaQuake™ water drain
- Large, easy-to-read backlit LCD screen
- Dual and Tri-Watch channel monitoring
- Instant access to Channel 16 or your favourite channel
- 11-hour battery life (1500mAh Li-ion internal battery)
- Battery life indicator and auto power saver



### IC – M37



- More power, more waterproof, more form factor
- Voice boost and mute functions
- Low Battery Alert Function
- Dual/Tri-Watch Functions
- Float n Flash Function
- Instant Access to Chanel and call Channel
- Favourite Channel Function
- Weather Channels with Weather Alert Function



## IC-M330G WITH DSC / GPS



- Ultra Compact Body, Flexible Installation
- New Speaker Delivers Dynamic, Clear Audio
- GPS Receiver Built-in (IC-M330G)
- IPX7 submersible (1 m depth of water for 30 minutes)
- Common NMEA interface for external GPS/NAV connection
- MA-500TR Class B AIS transponder compatible
- Tag scan and favourite channel functions.
- Dual/tri-watch function for monitoring CH16 and/or call channel, Priority scan function
- Display and keypad backlighting.
- External speaker connection
- Weather channel with weather alert
- Supplied hand microphone, HM-235B/W, with channel up/down keys and a CH16/Call channel key.
- 3-digit or 4-digit channel display selectable



## ICOM'S M424-G



- Intuitive User Interface
- Built-in GPS
- Common NMEA Interface
- Compatible with MA-500TR Class B AIS Transceiver
- IPX7 Submersible Protection
- Simple remote-control speaker-microphone, HM- 205B/SW
- NMEA 0183 connectivity
- Marine Commander™ compatible
- IPX7 submersible protection (1m depth for 30 minutes)
- Weather channels with alert function
- Supports 4-digit channels



# 29. WALKIE - TALKIE

# EVOX



## X1 Ultra WALKIE TALKIE

- License free PMR446
- IP68 waterproof dust proof
- One Key Frequency Copy
- Noise Cancellation
- 200 Channels
- Multi Charger way: desk charger / Type C
- 2 Tone / 5 Tone
- Torching Function



## X1 ULTRA

### WALKIE TALKIE

#### Main Function

- DOT-Matrix LCD displays
- Power-on mode selectable
- DTMF calling channels quick assignment.
- Wide / mild / narrow bandwidth selectable
- 200 Channels
- Dual band, dual wait, dual standby.
- Busy channel lock.
- Scan: frequency and CTCSS scan
- TOT
- ANI
- Remote stun/kill/activate.
- PTT ID
- FM radio for 24 channels storage
- VOX
- Battery saving
- Scrambler
- Multiple types for keys lock setting
- Multi- Display mode
- DTMF
- Backlight brightness settings.
- COMP
- 1750Hz tone
- 2 Tone/5 Tone
- CTCSS/DCS

#### Technical

##### General

Channel storage: 200  
Voltage: 7.4VDC  
Working Temperature: -10° C + 50° C  
Weight: 295g (includes antenna & battery)  
Dimension: 126x62x43mm

##### Receiver

Frequency: PMR446MHz  
Sensitivity:  $\leq 0.2\mu V$   
Occupied Bandwidth:  $\leq 16KHz$   
Selectivity:  $\geq 65dB$   
Intermediation:  $\geq 55dB$   
Audio Power:  $> 500m W$   
Audio Distortion:  $\leq 10\%$   
Frequency stability: 5ppm  
Current: standby: 60mA working: 250mA.  
Audio Response(300-3400HZ): +7—12.5dB

##### Transmitter

Frequency: PMR446MHz  
Power: 0.5W  
Modulation Type: FM  
Spurious Power:  $\leq -15dB$   
Modulation Noise:  $< -40dB$   
Modulation Distortion:  $< 5\%$   
Frequency stability: 5ppm  
Max Fr. Deviation:  $\leq \pm 5 KHz$   
Current: 1600mAh  
Audio Response(300-3400HZ): +6.5—14dB

#### Standard Accessories



# EVOX X10

LICENSE FREE

FM TRANSMISSION

Made of durable and sturdy materials

## MAIN FUNCTION

- Boot prompt sound
- 16 channel
- English voice broadcast
- Power saving function
- VOX voice control function
- Scan function
- Low voltage prompt
- Launch time limit
- Static noise level setting
- Perturbation function
- Pressure expansion function
- Frequency hopping function is anti-string frequency
- Non-standard analog sub-audio(QT)/non-standard digital sub-audio (DQT)
- SK1 side button short press volume +
- SK2 side button Short Volume-
- Analog Subaudio (QT)/Digital Subaudio (DQT)
- Timeout timer (TOT)

Help to provide perfect communications

AI NOISE REDUCTION  
FUNCTION



STRONG LIGHT  
FLASHLIGHT



# EVOX

## RUGGED RADIO

## TECHNICAL SPECIFICATION

### GENERAL

Product model	:	X10
Device name	:	Handheld Radio
Channel capacity	:	16
Channel spacing	:	25KHz/12.5KHz
Working voltage	:	DC4.2V
Frequency range	:	PMR446
Standard battery	:	3000 mAh Lithium Battery
Charging method	:	Direct charge of TYPE-C body (Optional)
Antenna impedance	:	50Ω
Working temperature	:	-20°C ~ +50°C
Weight	:	231g
Size: HxWxD (mm)	:	110*59x38mm (Excluding Antenna)

### TRANSMITTER

frequency stability	:	+/-2.5ppm
reference sensitivity	:	Better than the-119 dBm
Neighbor selectivity	:	≥65dB
acoustic frequency response	:	≤+2dB & ≥-10dB
Rated audio power	:	500mW
Receive SNR	:	≥40dB
Audio distortion	:	≤5%
Co-channel inhibition	:	≥-8 dB

### RECEIVER

Launch modulation	:	3KHz
Emission SNR	:	≥45dB
Emission of stray radiation	:	≤7.5uW
Neighbor power	:	≤-65dB
frequency stability	:	+/-2.5ppm
frequency swing	:	≤5KHz
modulating characteristic	:	+1dB ~ -3dB
modulation distortion	:	≤5%



## 30. GARMIN

### GARMIN GPS ANTENNA



<b>Water Rating</b>	IPX7
<b>Battery Life</b>	Up to 18 hours
<b>Physical dimensions</b>	6.6 x 15.2 x 3.0 cm
<b>Display size</b>	2.6" diagonal (6.6 cm)
<b>Display type</b>	4 level gray LCD
<b>Weight</b>	203.11 g
<b>battery</b>	2 AA
<b>Interface</b>	USB and Serial
<b>Storage</b>	1,000 waypoints and 100 tracks



### GARMIN BRONZE TRANSDUCER



Now, fishermen who want clear, crisp fish arches with excellent target separation have a new option for mounting our popular CHIRP transducer. GT15M-TH is available as a thru-hull mount perfect for wooden or fiberglass fishing boats with the very first Garmin designed long stem mount transducer that has good depth performance. The 8-pin transducer features mid-band CHIRP traditional sonar (85- 165 kHz) and has a power rating of 600 W (RMS). General Frequency CHIRP Mid-band (85-165 kHz) Power 600 W (RMS) Beamwidth 24-13 Maximum depth 1,900 ft. freshwater Depth/Speed/Temperature Depth and Temperature Number of pins 8-pin Cable length 15 meters, Supported deadrise 0°- 6° deadrise



## GARMIN 350 FF PLUS



- Sonar Frequency: 50/77/200kHz
- Display resolution: 480 x 800 pixels.
- Display type: WVGA display Physical dimensions: 176.0 mm x 190.0 mm x 66.0 mm
- Mounting options: Bail or flush Transmit power: 300W (RMS)
- Weight: 696.0 g (1.53 lbs)
- Water rating: IPX7
- Power consumption: 6.4 W
- Voltage range: 10V - 36V DC input
- Scanning Sonar Frequency: 260/455/800kHz



## GARMIN GPS MAP 585 PLUS



- Brand: Garmin Physical dimensions: 176.0 mm x 190.0 mm x 66.0 mm Weight: 816.0 g Transmit power: 600W. (RMS) Scanning Sonar Frequency: CHIRP 260/455/800kHz Voltage range: 10V-36V DC
- input Display type: WVGA display Display resolution: 480 x 800 pixels Routes: 200 Power consumption: 7.6 W Sonar Frequency: 50/77/200kHz CHIRP (Low, Mid, High) Waypoints: 12,000 Accepts data cards: 2 standard SD Maximum depth: 1,750 ft freshwater, 830 ft saltwater (depth capacity is dependent on water bottom type).

## 31. GPS

### E TREX® 10 (HANDHELD GPS)



<b>Dimensions</b>	5.4 x 10.3 x 3.3 cm; 142 g
<b>Resolution</b>	480 x 272
<b>Special Features</b>	Waterproof
<b>Mounting Hardware</b>	Etrex 10, usb cable, manual
<b>Standing screen display size</b>	2 Inches
<b>Display Type</b>	LCD, LED
<b>Audio output mode</b>	mono
<b>Battery Average Life</b>	25 Hours
<b>Batteries</b>	2 AA
<b>Connector Type</b>	USB
<b>Device interface - primary</b>	Buttons
<b>Mounting Type</b>	Handheld
<b>Weight</b>	142 g



### GPS 12H



<b>Mounting Hardware</b>	GA 38, Antenna cable (32 ft/10 m), Installation instruction
<b>Case material</b>	Fully gasket, high-impact plastic alloy, waterproof to IPX7
<b>Weight</b>	201g
<b>Temperature range</b>	22° F to 176° F (-30° C to 80° C)
<b>Dimensions</b>	3 19/32" x 1 15/18" (91.6 mm x 49.5 mm)

## 32. FURUNO

### FCV- 688



Furuno FCV-688, 5.7 Inch LCD Fish Finder (LCD Color Sounder + Transducer) with 520-5PSD Plastic Thru-Hull Transducer, 600W (8-Meter Cable with 10-Pin) Fast Transmission Rate Up to 3000 PRR Per Minute

**Probability Mode :** The probability display mode shows the most probable bottom composition in graph form.  
**Graphic mode :** The standard graphic display mode shows the most probable bottom composition by graphic or four colours.

**High-Performance Transducer:** Delivers up to 600 watts of power, providing accurate and reliable depth readings for both saltwater and freshwater environments. **10-Pin Connector:** Easy installation with a 10-pin plug, compatible with a wide range of fish finders and marine electronics. **Durable Construction:** Made from high-quality plastic for long-lasting durability and resistance to harsh marine conditions.

<b>Brand</b>	Furuno
<b>Power Source</b>	Corded Electric
<b>Screen Size</b>	5.7 Inches
<b>Display Type</b>	LCD
<b>Item Weight</b>	2078 Grams
<b>Product Dimensions</b>	16.5L x 8.2W x 20H Centimetres
<b>Maximum measuring depth</b>	100 Meters
<b>Mounting Type</b>	Thru-Hull Mount
<b>Item model number</b>	Colour Sounder with Transducer Fish Finder

## GP-39 GPS

The FURUNO GPS navigator GP-39A provides accurate and reliable position fixing, thanks to a 12-channel GPS receiver combined with integrated SBAS (WAAS/EGNOS/MSAS) technology.

The GP-39A has various display modes (Plotter, Highway, Steering, NAV data, Satellite monitor and 2 user-customizable modes) on the 4.2" color LCD. Up to 3,000 points of ship track, 10,000 waypoints and 100 routes (each with up to 30 waypoints) can be stored. The waypoint and route data can be exported/imported via a USB flash drive or signal converter.

The GP-39A can be networked with a fish finder, sonar, radar or other navigation equipment for feeding highly accurate navigation data.

SBAS capable for better positioning calculations. SBAS is a general term for a GPS navigation system with differential correction by means of geostationary satellites. In the US, it is called WAAS (Wide Area Augmentation System), whereas in Europe and Japan, it is called EGNOS (European Geostationary Navigation Overlay System) and MSAS (MSAT Satellite-based Augmentation System), respectively.

Highly accurate position fixing GPS navigator with clear color LCD

- a) Newly designed GPS core delivers enhanced position fixing accuracy
- b) 4.2-inch-high resolution colour LCD
- c) Storage for 3000 track points and 10000-way points and 100 routes
- d) SBAS capable for better positioning calculations
- e) 7 display modes available including 2 user compatible modes



## 33. HIGH-SENSITIVITY AIS

High-Sensitivity GPS and high efficiency AIS communication technology, which can help you manage your vessels by immediate addressing and SOG. Suitable to install on the offshore vessel, lake boat for collision avoidance.

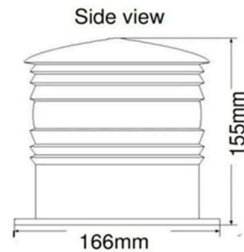
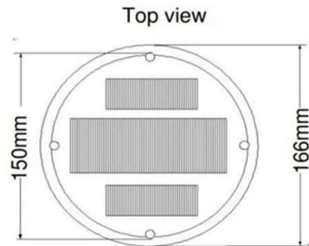
### Features

- Transmission range: 10~16 NM
- Operating time: Up to 20 days (reporting interval: 3 min)
- Easy to install, Easy to Track
- Interval Setting: (Every 15,30 Seconds or 1~6 minutes)
- High-quality and high-reliability battery
- Weather-proof and high gain antenna
- Drop-proof and weather-proof housing.
- Waterproof: IPX8



## 34. NAVIGATION LIGHT

### SOLAR NAVIGATION LIGHT



<b>Usage/Application</b>	MARINE
<b>Color</b>	RED/GREEN/WHITE/AMBER
<b>Lighting Color</b>	Cool White
<b>Power Source</b>	Solar, Sun Light
<b>Power</b>	5 W
<b>Usage</b>	Ship, Airport
<b>Light Source</b>	LED Lamp
<b>Visibility</b>	2 NM
<b>WORKING LIFETIME</b>	100000 HOURS
<b>CHARGE TIME</b>	10-12 HOURS
<b>PATTERN</b>	STEADY OR FLASH
<b>FLASHING RATE</b>	40/MIN +/-5
<b>WEIGHT</b>	0.8 KG

### NAVIGATION BULB 12V/24V 25W BAY 15



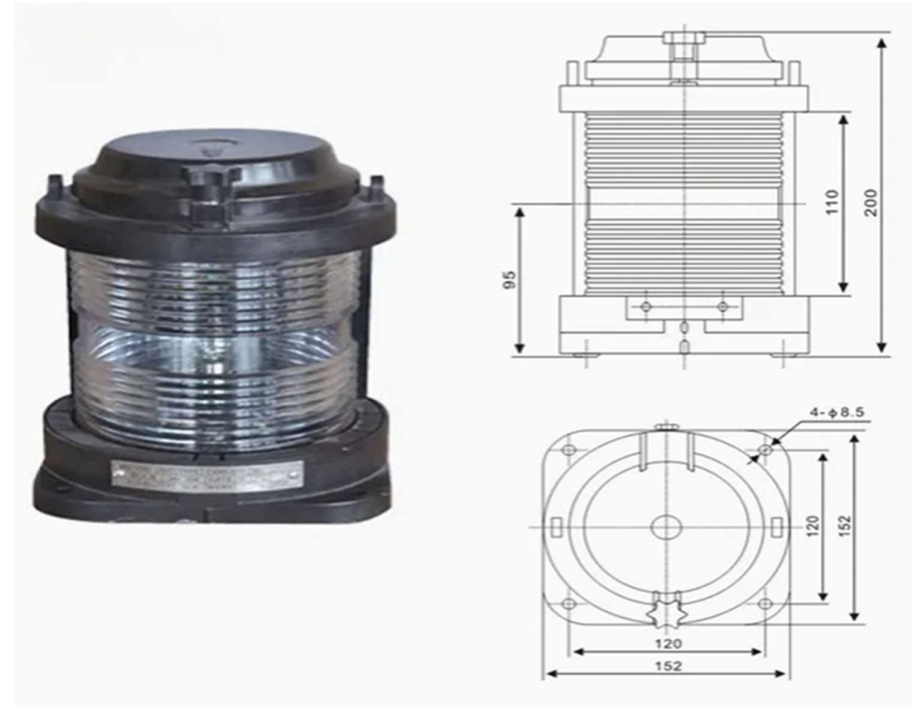
The BAY15d style Hella replacement light bulb has a special pronged end cap for the Hella 2984 series of navigation lamps. This bulb has a Small Bayonet Cap (BAY15d) fitting, which consists of a 15mm two contact base and a bayonet fitting with offset pins. The incandescent light bulb is suitable for 24-volt electrical systems and is rated 25 watts.

<b>Length</b>	69.5mm
<b>Voltage Description</b>	24V DC
<b>Light Color</b>	White
<b>Wattage</b>	25W
<b>Fitting</b>	BAY15d. Pointed with a special pronged end cap for Hella 2984 series lights
<b>Bulb Description</b>	Incandescent Bay15d
<b>Diameter Description</b>	25.5mm

## NAVIGATION LIGHT SINGLE TIER



## NAVIGATION LIGHT DOUBLE TIER



Our Single/Double Tier Marine Navigation Light System is designed to meet a wide range of marine navigational requirements, ensuring clear visibility and compliance with international maritime safety regulations. These lights provide reliable performance, making them essential for safe navigation in various marine environments.

**Key Features & Benefits:** High-Visibility Signal Lighting – Provides clear navigation guidance Durable & Weather-Resistant – Built for harsh marine environments Energy-Efficient & Long-Lasting – Ensures optimal performance with minimal maintenance Compliant with Maritime Regulations – Meets international navigation light standards Compact & Easy to Install – Suitable for various vessel types.

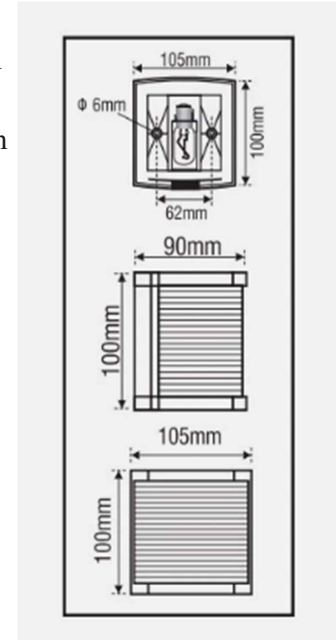
**Ideal Applications:** ✓ Commercial & Cargo Vessels ✓ Fishing & Offshore Vessels ✓ Naval & Defence Ships ✓ Harbor & Port Navigation Systems Built for reliability and durability, our Single Tier Navigation Lights offer trusted safety and navigation solutions for maritime operations.

## ALDOUX ALD20MS BOAT YACHT 20 METER STERN



The Classic N20 series of navigation lights is designed and type-approved for vessels under 20 meters. Manufactured from a special compound of ABS and polycarbonate with shatterproof acrylic lens, non-magnetic stainless steel electrical contacts and a nitrile water resistant seal to provide reliable long life. All coloured lens lamps are supplied with a 12V 25W bulb and the clear lens lamps with a 12V / 10W bulb.

Volts	<b>12V/10W</b>
Degrees	<b>135</b>
Material	<b>Acrylic / Polycarbonate ABS</b>
Length (cm)	<b>10</b>
Height (cm)	<b>9</b>
Width (cm)	<b>10,5</b>
Weight (grams)	<b>360</b>
Volume (cm <sup>3</sup> )	<b>2025</b>



## ALDOUX ALD20MAW BOAT YACHT 20 METER



White Signal 360-degree LED light - Classic S20 (black housing). Designed for both sail and powerboat applications. Classic design considered the industry standard for vessels up to 20 meters in length. This maxi series of "Classic S20" navigation lights is designed and type approved for vessels under 20m. Made of a special compound of ABS and polycarbonate with shatterproof acrylic lens, non-magnetic stainless steel electrical contacts and a nitrile water resistant seal to provide reliable long life.

- For vessels up to 20m
- Visible distance: 2nm
- Voltage 12 or 24V DC
- Low Power consumption – only 4W
- Deck or mast mounting. Waterproof, non-corrosion, non-magnetic.

## 35. BOAT ACCESSORIES

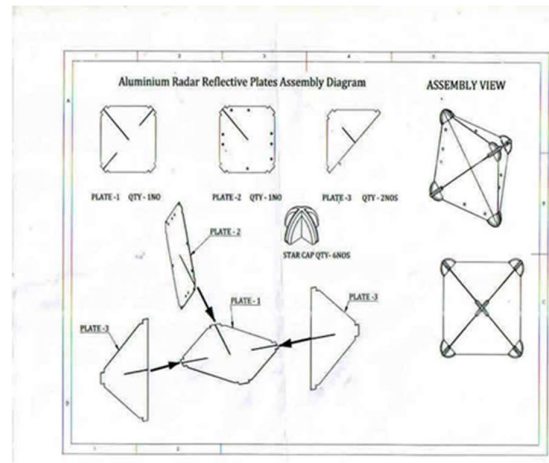
### TRUMPET HORN SINGLE & DOUBLE



This Marine Electric single / Dual Trumpet Horn sounds at 115 db. This horn is maintenance-free and does not require a compressor or hoses. The unit is pre-wired for easy installation and all the elements are made of polished AISI316 stainless steel. This Electric Horn is ideal for marine applications, boats, RVs, and trucks, suitable in freshwater or saltwater environment.

Application	Vessel
Type	Single or Dual trumpets
Product Name	Marine horn
Material	Stainless Steel 304
Voltage	DC 12V/24V
Frequency	450hz for single trumpet and 320hz for dual trumpets
Length	40cm for single trumpet and 40cm/46cm for dual trumpets

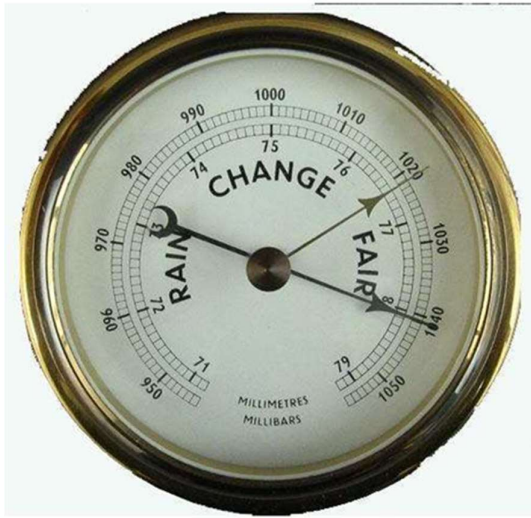
### RADAR REFLECTOR



Manufactured with light alloy metal sheet, corrosion resistant, provided head corner with nylon cap protection. Folding model for easy storage when not required Certified: BS 1508729-1:2010 Passive Approvals: EC Type Examination Certificate IMPA CODE: 330190 Size: 229X229X1.5MM

Material: Light Alloy Metal Sheet Head Corner Caps: Nylon Design: Octahedral which lay flat or quickly re-assemble

## BAROMETER



- A barometer is a scientific instrument that is used to measure air pressure in a certain environment. Pressure tendency can forecast short term changes in the weather.
- Triple scale barometer feature reading in cmHg, inHg and mbar Hole present for wall mounting Adjust automatically once set. Material: Brass Length (Metric): 152mm Diameter (Metric) 152mm
- Face: 152mm

## ALDIS SIGNALLING LAMP COMPLETE WITH 12/24V BULB.



- Capable of maximum daylight signalling range of 8 miles, Beam divergence of 5".
- Transmission rate of 12 words per minute can be achieved. +Light reduction & coloured filters provide control of light output.as required. +5.5 meters of supply cable fitted as standard. Stowage Box (Aluminium)
- All aluminium construction fitted with a super purity aluminium parabolic reflector.

# 36. BINOCULARS

## NIGHT VISION BINOCULARS MODEL: - NV400-B

NV400-B Digital Night Vision Binocular

NV400-B is a Digital Type Night Vision Binocular that provides you with resolution equivalent to traditional Gen 2 type night vision binocular. As it is a digital type of night vision equipment, you can use it even during daytime without worrying that exposure to light will damage the binocular (traditional night vision binoculars can be damaged easily when turned on in bright environment).



### Parts overview

- 1. Infrared filter cap (uv-ir filter cap)
- 2. Objective focus
- 3. USB port
- 4. A/V out
- 5. Micro-SD card slot
- 6. Mode-button
- 7. On/Off button
- 8. IR-button
- 9. Snap-button
- 10. Zoom-button
- 11. IR Illuminator
- 12. Ocular
- 13. Battery case
- 14. Tripod adapter
- 15. Battery case

Application	Fishing and boating at night, Search and rescue, for night scene, Explore the cave, Night patrol, hunting, For night navigation, Ornamental wildlife
Name	Digital big screen night vision device
Model	NV400B
Magnification (optical)	3.5-7 times
Digital zoom	2X
Objective lens	31mm
Working voltage	4.5V-6V
Size	205 * 55 * 140mm
Weight	850g
Screen resolution	320 * 240 pixels
Micro SD card	from 4GB to 32G
Adjustable	Eyepiece
Powerful infrared light Reachable in the dark	400m / 1300ft
Infrared light	infrared LED 850NM 3W
JPEG	1280x720p
Video	1280x720 @ 30FPS

## WATERPROOF BINOCULARS 7X50 B-2



The BAK 4 prisms create the sharpest and clearest images possible in a binocular in this price range. All lenses are multi-coated for long lasting protection. The superior prisms combined with large lens diameters make these binoculars very suitable for use in difficult conditions such as twilight or bad weather. The binoculars have a robust soft touch casing and ergonomic design making them easy and stable to hold. The rubber eyecups can be rolled down, which allows wearers of (sun) glasses to easily use the binoculars. Supplied with bag, floatation strap and lens caps. Magnification: 7x; Lens diameter 50 mm. Waterproof and fog-free (filled with nitrogen). Fixed focus and central variable focus. Flexible eyecups for use with (sun) glasses. Ergonomic design and non-slip grip.

<b>Magnification</b>	7x
<b>Objective lens diameter</b>	50 mm
<b>Prism type / Material</b>	Porro prism / <b>BAK4</b> glass
<b>Optical coating</b>	Multi-coated lenses (green coating) with anti-glare and anti-UV properties
<b>Waterproof and fog-free</b>	Yes (filled with nitrogen)
<b>Focus system</b>	Fixed focus and central variable focus
<b>Eyecups</b>	Flexible roll-down rubber eyecups for use with glasses
<b>Housing</b>	Robust soft touch casing, ergonomic design, non-slip grip (yellow/black color)
<b>Weight</b>	990 grams
<b>Included accessories</b>	Bag, floatation strap, and lens caps

# 37. BILGE PUMP

## STARFLO BILGE PUMP

### STARFLO 12V/24V AUTO 1100GPH BOAT BILGE



- Model : WELBP1-G1100-02
- HEAD: 5.0m, Volt : 12v/24v, Amps:3.8A/2.0A
- Wire:100CM (6 foot), Outlet hose:29mm
- 29 mm hose barb discharge outlet.
- 12V/24V with 6-foot Wire leads
- Stainless steel shaft, Anti-rust, and corrosion performance
- submersible completely, Motor allow cleaning and impeller area can be removed
- Easy to clean snap lock strainer.
- Water cooled motor for long life and ignition protected avoid burn-out.
- Run dry is available. With Auto float switch
- Silent and vibration less operation,Exclusive moisture tight seals
- Impact Resistant ABS housing



### STARFLO 12V/24V MANUAL 1100GPH BOAT BILGE



- Model : WELBP1-G1100-01
- HEAD: 5.0m, Volt : 12v/24v, Amps:3.8A/2.0A
- Wire:100CM (6 foot), Outlet hose:29mm
- 29 mm hose barb discharge outlet.
- 12V/24V with 6-foot Wire leads
- Stainless steel shaft, Anti-rust, and corrosion performance
- submersible completely, Motor allow cleaning and impeller area can be removed.
- Easy to clean snap lock strainer.
- Water cooled motor for long life and ignition protected avoid burn out.
- Run dry is available. Silent and vibration less operation
- Exclusive moisture tight seal.Impact Resistant ABS housing



## STARFLO 12V/24V AUTO 1500GPH BOAT BILGE



- Model : WELBP1-G1500-02
- HEAD: 5.0m, Volt : 12v/24v, Amps:3.8A/2.0A
- Wire:100CM (6 foot), Outlet hose:29mm
- 29 mm hose barb discharge outlet.
- 12V/24V with 6-foot Wire leads
- Stainless steel shaft. anti-rust and corrosion performance
- submersible completely
- Motor allow cleaning and impeller area can be removal.
- Easy to clean snap lock strainer.
- Water cooled motor for long life and ignition protected avoid burn-out
- Run dry is available. With Auto float switch
- Silent and vibration less operation
- Exclusive moisture tight seals
- Impact Resistant ABS housing



## STARFLO 12V/24V MANUAL 1500GPH BOAT BILGE



- Model : WELBP1-G1500-01
- HEAD: 5.0m, Volt : 12v/24v, Amps:3.8A/2.0A
- Wire:100CM (6 foot), Outlet hose:29mm
- 29 mm hose barb discharge outlet.
- 12V/24V with 6-foot Wire leads
- Stainless steel shaft. anti-rust and corrosion performance
- submersible completely
- Motor allow cleaning and impeller area can be removal.
- Easy to clean snap lock strainer.
- Water cooled motor for long life and ignition protected avoid burn out.
- Run dry is available.
- Silent and vibration less operation
- Exclusive moisture tight seals. Impact Resistant ABS housing



## STARFLO 12V/24V MANUAL 2000GPH BOAT BILGE



- Model : WELBP1-G2000-01
- HEAD: 5.0m, Volt : 12v/24v, Amps:3.8A/2.0A
- Wire:100CM (6 foot),Outlet hose:29mm
- 29 mm hose barb discharge outlet.
- 12V/24V with 6-foot Wire leads
- Stainless steel shaft
- anti-rust and corrosion performance
- submersible completely
- Motor allow cleaning and impeller area can be removal.
- Easy to clean snap lock strainer.
- Water cooled motor for long life and ignition protected avoid burn out.
- Run dry is available.
- Silent and vibration less operation
- Exclusive moisture tight seals
- Impact Resistant ABS housing



## STARFLO 12V/24V MANUAL 3700GPH BOAT BILGE



- Model : WELBP1-G3700-01
- HEAD: 5.0m, Volt : 12v/24v, Amps:3.8A/2.0A
- Wire:100CM (6 foot), Outlet hose:29mm
- 29 mm hose barb discharge outlet.
- 12V/24V with 6-foot Wire leads
- Stainless steel shaft. anti-rust and corrosion performance
- submersible completely
- Motor allow cleaning and impeller area can be removal.
- Easy to clean snap lock strainer.
- Water cooled motor for long life and ignition protected avoid burn out
- Run dry is available.
- Silent and vibration less operation
- Exclusive moisture tight seals. Impact Resistant ABS housing



## RULE BILGE PUMP

### RULE BILGE PUMP 1100 GPH



- RULE BILGE PUMP 1100 GPH M/N 27DA MANUAL
- RULE BILGE PUMP 1100 GPH M/N 27DA - 24V MANUAL
- RULE BILGE PUMP 1100 GPH M/N 27SA AUTO
- RULE BILGE PUMP 1100 GPH M/N 27SA - 24V AUTO



### RULE BILGE PUMP 1500/2000 GPH



- RULE BILGE PUMP 1500 GPH M/N 02 - 12V
- RULE BILGE PUMP 1500 GPH M/N 03 - 24V
- RULE BILGE PUMP 2000 GPH M/N 10 - 12V
- RULE BILGE PUMP 2000 GPH M/N 12-24V
- RULE BILGE PUMP 1500 GPH 51S - 12V AUTO
- RULE BILGE PUMP 2000 GPH 53S-12V AUTO



## RULE BILGE PUMP 3700/4000 GPH



- RULE BILGE PUMP 3700 GPH 12V M/N 14A
- RULE BILGE PUMP 3700 GPH 24V M/N 16A
- RULE BILGE PUMP 4000 GPH 12V M/N 56D
- RULE BILGE PUMP 4000 GPH 24V M/N 56D -24



## RULE 33ALA HIGH WATER BILGE ALARM 12V

- Consists of a float switch and an in-dash gauge that features both a visual and audible 85 db alarm
- Allows an unarmored compartment to be constantly monitored.
- Complies with CFR 182. 530, which requires a visual and audible alarm in each unmanned space on commercial vessels at least 26' in length
- For use with pumps with a current draw of up to 20 amps @ 12 volts
- Size: 2 1/4" x 5" x 2 1/64". Sport type: Boating



## 38. FLOAT SWITCH

### 12-32V AUTOMATIC FLOAT SWITCH FOR MARINE BOAT BILGE



- Suitable for 12V-32V bilge pumps up to 20 amps.
- Designed to automatically activate the bilge pump when there is water.



Max Amps 12Volts	18Amps
Max Amps 24Volt	10Amps
Wire Length	1m
Wire Gauge Size	16
N.W./G.W. (kg)	0.14/0.18kg

## RULE A MATIC FLOAT SWITCH 35A / 35FA



### Features

- Marine-Grade blocked wire
- Exclusive moisture-tight seals
- Switch design pre-vents rapid on/off cycling.
- Mercury Free
- Removable base for easy cleaning and servicing



### Specifications

- Dimensions: 127mm long, 40mm wide, 110mm high (at max. lift)
- Maximum Current: 14(amps)
- Voltage: 12/24/32 VDC

## RULE-A-MATIC® PLUS FLOAT SWITCH 40A/40FA



New Rule marine float switch. Rule-A-Matic model 40A. For use with 12V, 24V, or 32V DC systems.

- Patent pending snap switch tested to over one million cycles
- Highly abrasion resistant marine grade “blocked” wire
- Impact-resistant cover, which protects against debris and jamming
- Mercury free, ignition protected, ISO 8846 marine
- Turns pump on when water level reaches 2" (51mm) and turns pump off when water level reaches 3/4" (19mm)
- Max amps at 12V: 20
- Max amps at 24V: 10
- Max amps at 32V: 6.5
- Wire length: 28

## 39. JABSCO MARINE TOILETS

### TWIST N LOCK MANUAL TOILET

**MODEL NO : 29120-5000/ REGULAR BOWL**

**MODEL NO : 29090-5000/ COMPACT BOWL**



- Twist 'n' Lock safety handle and flush control lever  
Powerful swirl
- action for efficient flushing.
- Automatic vacuum breaker for easier pumping, Angled pump
- housing and long stroke for more comfortable operation
- Connections: – for 19mm (¾”) bore inlet hose, 38mm (1½”) bore discharge hose
- Dimensions: – 450mm wide, 410mm deep, 340mm high (compare with regular size bowl model)
- White vitreous china bowl, enameled wooden seat and cover
- Reversible pump mounting for left or right-handed installation
- Crevice-free contours and smooth moldings for added hygiene
- Multi-angled discharge elbow for ease of installation
- Corrosion-resistant materials for fresh or salt water service
- All fastenings face front or top for ease of maintenance



# ELECTRIC MARINE TOILET

Electric Toilet

Push Button Operation

Features:

- Hygienic pure white vitreous china bowl for ease of cleaning
- Stylized luxury wooden seat and cover with tough baked enamel coating
- Stainless steel and bronze fastenings for reliable salt water service
- Flushing pump self-priming up to 4ft vertical lift
- May be mounted 3ft below the waterline
- Equally suitable for overboard or holding tank discharge
- Built-in back flow preventer
- Complies with USCG 183.410 and ISO 8846 MARINE (Ignition Protection)
- White vitreous China bowl
- Flexible impeller flush pump
- Built-in back flow preventer



Electric toilet compact bowl size

# 40. MARINE FRESH WATER PUMP

## STARFLO 12V/24V FRESH WATER PUMP

STARFLO



- Adjustable pressure switch from 10-60 psi for OEM when needed.
- Motor sounds no louder than your room fan running.
- Quick attach connections with 360-degree multiple fittings allow.
- ease connection to any outlet.
- Semi rigid rubber feet for noise reduction from vibration



STARFLO



STARFLO  
PROFESSIONAL GRADES PUMPS  
MODEL: FL-40  
VOLTS: 12V DC  
OPEN FLOW: 17L/MIN (4.47GPM)  
PRESSURE: 40PSI(2.76Bar)  
AMPS: 3.2A

Self Priming  
Run Dry Not Recommended  
Thermal Overload Automatic Reset

# STARFLO DIAPHRAGM HAND PUMP



- Easy maintenance – easy remove clamp ring
- Simple plumbing – 1.36/34.5 mm smooth hose connection options.
- Proven design – tough yet lightweight polypropylene materials
- Efficient performance – up to 45 litres per minute
- Reliable performance – U shaped outlet valve
- Secure fit – robust moulded base



## Technical Data

Model	Material	Max Flow	Max Suction	Max Head	Outlet Size
SFBP-01	Plastic	45.6LPM	3M	4M	34.5mm / 1.36"
SFBP-02	Aluminum Metal	45.6LPM	3M	4M	34.5mm / 1.36"

# STARFLO DURABLE RV EXTERNAL SHOWER KIT



- Made of UV stabilized PP
- With lock and keys.
- Durable, impact & fade resistant.
- Choose from black or white.



## Technical Data

Model	Color
SFES-01	Black
SFES-02	White

## STARFLO 12V/24V 65LPM MARINE TOILET PUMP



The DC macerator pump can be used in Yacht, RV, and Mobile kitchenware, toilet exhaust system. It is designed to empty marine and RV holding tanks of normal waste. It is also an excellent choice for emptying fish boxes of scales and residual waste. A flow rate of up to 12 gallons per minute conveniently empties any tank in minutes. The unique four-blade design ensures waste is ground up thoroughly. The pump is self-priming to a five-foot lift when impeller is wet, four-foot lift when impeller is dry, but for optimum performance a life, it should be mounted as close to the tank as possible. Marine pump out must be in proper discharge zones only. The macerator will not handle hard objects, rags, or feminine napkins.

Model	Volt	Open Flow	Amps (Max)	Packing Size(mm)	N.W/G.W(kg)
FL-65A	12V DC	12.0GPM(45LPM)	9.0	320*135*110	2.1/2.4
FL-65B	24V DC	12.0GPM(45LPM)	6.0	320*135*110	2.1/2.4

## STARFLO 12V/24V 3500LPM MARINE TOILET

The DC macerator pump can be used in Yacht, RV, and Mobile kitchenware, toilet exhaust system. The Macerator pump is designed specifically for sanitation waste and fish box evacuations. It is dual blade and housing construction ensures problem free pumping, providing superior performance while delivering up to 12 GPM (45LPM), Available in 12v,24v dc volts. This high-powered pump incorporates our high-quality motor with a new seamless shell and splash proof design. The Macerator features a premium impeller design and includes O-ring sealed end bells with a sealed manual turnkey to withstand the harsh marine environment.



Model	Voltage	Open Flow GPM(LPM)	Amps (A)	Packing Size(mm)	N.W/G.W
MP3500-12	12V	12.0(45.0)	9.0	320*135*110	2.1/2.4
MP3500-24	24V	12.0(45.0)	6.0	320*135*110	2.1/2.4

# STARFLO 12V/24V 4500LPM MARINE TOILET

STARFLO Macerator pump is designed specifically for sanitation waste and fish box evacuations. This high-powered pump incorporates our high-quality motor with a new seamless shell and splash proof design. The macerator features a premium impeller design and includes O-ring.

sealed end bells with a sealed manual turn withstand the harsh marine environment.

## APPLICATIONS

Yacht, RV, and Mobile kitchenware; Toilet exhaust system.

## FEATURES

- Pump Head: 2 chambers.
- Motor Configuration lead wires 2-pin connector
- Self-Priming
- Seamless Motor Shell
- Heavy Duty Shaft Seal
- Manual Turnkey with Rear O-ring Seal
- Innovative Internal Housing Design
- Dual Blade Design
- Premium Impeller
- Ignition Protection
- Thermally Protection
- Available in 12, 24m, 115 and 230 Volt



Model	Flow Rate	Volts	Current	Packing size(mm)	N.W/G.W
SF-4500-12	45LPM	12V	9A	320*135*110	2.10/2.40
SF-4500-24	45LPM	24V	6A	320*135*110	2.10/2.40

## 41. JABSCO SEARCH LIGHT

### 135 SL SEARCH LIGHT 60020-0000/ 0024

#### 135SL Remote Control Searchlight

Ideal for boaters...locate buoys, moorings, channel markers, etc. Ideal for River's...pinpoint road signs, campsites, or use as backup light.

#### Features:

- Constructed of noncorrosive materials
- Sealed beam halogen lamp
- Remote control and 15' cable included.
- Long life gear drive
- Low amp draw
- Patented clutch mechanism prevents motor damage when running against limit stops

#### Specifications:

- Body: White thermoplastic
- Power: 50 Watts
- Voltage: 12v
- Candlepower: 100,000
- Range @1 Lux: 865 ft
- Vertical Movement: 75
- Horizontal Movement: 320



### 135 SL SEARCH LIGHT 60020-0000/ 0024



- Twin high output sealed beam lamps.
- Remote control and 25' cable included.
- Body White thermoplastic Voltage 12V Power consumption 50 watts
- Sleek design, rugged construction
- Tough polyurethane finish, Full 360° rotation

## 146 SL SEARCH LIGHT 60080-0012 /24



### 146SL Remote Control Searchlight

White Thermoplastic

Ideal for mid-size boats...locate buoys, moorings, channel markers, etc. Ideal for larger motorhomes and bus conversions...pinpoint road signs, campsites, or use as backup light.

Features:

- High Output Halogen Sealed Beam Lamp.
- Weather Resistant Remote control and 15' cable included.
- Sleek Design. Rugged Construction. Corrosion Resistant Housing
- Voltage 12V /24V Power consumption 50 watts Horizontal Movement 360 Vertical Movement 30 Up, 30 Down

## SEAFLO 360° ROTATING REMOTE CONTROL LED



SEAFLO 360° Rotating LED Searchlight - Illuminate your outdoor adventures with the SEAFLO 360° Rotating LED Searchlight, designed for optimal performance and versatility. Whether you're navigating at sea, working on your vehicle, or lighting up your campsite, this searchlight delivers powerful illumination with the convenience of remote-control operation. Key Features:

360° Horizontal Rotation & 60° Vertical Sweep: Enjoy full control of your light.

2700 Lumens Super Bright LED Light Source: Choose between a warm 2700K light or a cool 5500K light

Beam Distance of 300-400 Meters: The powerful LED light reaches up to 400 meters.

IP65 Waterproof: Built to withstand the elements, this searchlight is IP65 waterproof, making it perfect for use in all weather conditions.

## 42. WATER PRESSURE

### WATER PRESSURE SYSTEM PARAMAX



- PAR-Max 1.0GPM 12V/24V
- PAR-Max 2GPM 12V/24V
- PAR-Max 3GPM 12V/24V
- PAR-Max 3.5GPM 12V/24V
- PAR-Max 4.3GPM 12V/24V

### WATER PRESSURE SYSTEM PARAMAX



This 12V DC macerator pump is expertly designed to transfer and discharge toilet waste from black water holding tanks of up to 900 liters (200 gallons). With connections sized for a 38mm (1½”) bore inlet hose and a 25mm (1”) bore discharge hose, it provides a seamless setup. 290mm (L) x 120mm (W) x 95mm (H) makes it ideal for tight spaces, ensuring it fits easily into your existing RV or boat setup. Experience enhanced waste management with up to 43 liters per minute output at a 3-meter total head, providing powerful performance to handle demanding tasks. The self-priming capability up to 1.2 meters vertical lift ensures hassle-free operation while the fully sealed motor and dry-run protection extend its longevity, securing your investment. This pump's heavy-duty 4-blade chopper ensures waste is efficiently ground into a slurry for easy transmission and disposal, making it an essential addition to your RV accessories or boat equipment. Equipped with a 15-minute duty cycle and a maximum total head of 6 meters, the Jabsco macerator pump supports both short and extended operations.

- 18590-2092=12V
- 18590-2094=24V

## 43. HAND PUMP

### JABSCO AMAZON UNIVERSAL PUMP 29270-000000



- Output up to 100 Liters/minute (22 Gallons/minute)
- Flow direction Reversible by exchanging inlet and Outlet ports.
- Optional through-deck kit permits Operation from inside or Outside cabin.
- Stainless steel handle with bulkhead clips. Readily achievable 100 Litres/min (22 gallons/min) output. Flow direction can be changed 180°. Port Type: 25mm (1") Hose barb. Quick release clamp ring gives fast access for blockage clearance. Excellent solids handling ability for use with holding tanks.

### GUSHER HAND PUMP 1320 GPH FOR BOAT YACHT



- Lightweight with light easy action
- Self-priming up to 13 1/2 feet
- Spring-assisted outlet valve for easy priming.
- Easily removable clamp for quick maintenance
- Easy to install.
- 1320 GPH (80 Liter Per Minute), Connection: 1 1/2 inch (38mm) Smooth bare hose connections

## 720GPH PLASTIC MANUAL LIFEBOAT DIAPHRAGM BILGE PUMP



- Tough and lightweight polypropylene material is suitable for many applications.
- 1.3" ID House Outlets designed for high flow.
- Pump Body: Glass-filled Polypropylene, Diaphragm: EPDM, Fasteners: Stainless Steel.
- The Lifeboat 720GPH Plastic Diaphragm Manual Hand Bilge Pump is a reliable and efficient hand bilge pump for all your pumping needs. This pump is made from quality cast iron and has a diaphragm made from durable plastic. It is designed to handle high pressure.

## 720GPH ALUMINIUM MANUAL HAND LIFEBOAT DIAPHRAGM BILGE PUMP



- High Quality nylon self-priming hand pump. 25.4mm or 38.1mm hose. Draws 15 gallons per minute.
- Application: Suitable for pumping bilge water, saltwater, or diesel transfer.
- Hand pumps compact design easily installed in tight bilge spaces.
- Strong and durable construction - specifically designed for marine applications

## 44. BLOWERS

### RULE INLINE BLOWER 3" /4" 12V/24V



- 140/140-24 240/240-24
- Efficient high-volume air flow. Quiet operation. Low amp draw
- Slip-on inlet and outlet ducting connections. Sealed motor shaft for moisture protection
- Corrosion resistant nickel-plated motor housing IMCI (CE) certified USCG 183.410 compliant for ignition protection

### FLANGEMOUNT BLOWER 4 12V/24V



- 35760-0092 12V 35760-0094 24V FLANGEMOUNT BLOWER 4" 12V/24V
- Extended Life 5,000 Hour Motor Tough Reinforced Thermoset Plastic Housing Mounts to any flat surface Slip-On any Inlet Ducting Connection Efficient High Volume Air Flow Low Current Draw Corrosion-Resistant Material Throughout Meets USCG Electrical Regulations of Title 33 Complies with ISO 9097 Marine CE Conforms with EN5008-1

## 45. DECK HARDWARE

### THRU HULL

ABS Plastic Thru-Hull fitting is a device used in boats to provide a watertight seal when passing various components through the hull. It is designed to maintain the structural integrity of the boat while allowing for the installation of essential systems. Here are some functions and advantages of stainless steel Thru-Hull fittings:

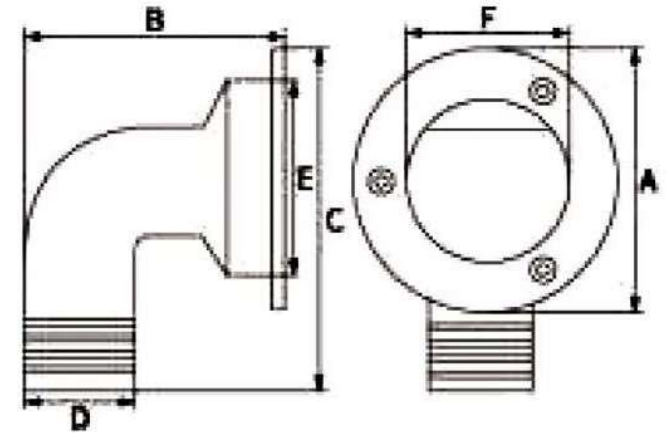
- **Waterproof Seal:** The primary function of a ABS Plastic Thru-Hull fitting is to create a watertight seal. It prevents water from entering the boat through the holes in the hull. This is crucial for maintaining the buoyancy and integrity of the vessel.
- **Versatile Applications:** Thru-Hull fittings can be used for various purposes onboard a boat. They are commonly used for applications such as through-hull depth sounders, transducers, water intakes for engines, water makers, sea chests, bilge pumps, and other components that require passage through the hull.



# 1. 90° HALF FILAMENT BEND OUTLET



- Material: Nylon plastic and stainless-steel top cover
- Surface: Mirror-polished/Customized
- Application: Ship, Yacht, Boat Accessories, Marine hardware, Sailing accessories
- Marine boat thru hull are made of robust and durable nylon material and are designed to withstand harsh marine environments
- Our marine drain outlets feature a flared top design that keeps water away from the hull, keeping it dry.



- Marine nylon drain outlets are easy and quick to install, saving time and effort.



Part no	Size	A	B	C	D	E	F
		mm	mm	mm	mm	mm	mm
<b>AM1440-25</b>	1 Inch	25.4	48.0	76.2	33.2	50.8	64.2
<b>AM1440-38</b>	1-1/2 Inch	38.1	59.9	88.1	40.3	50.8	94.9
<b>AM1440-50</b>	2 Inch	50.8	82.5	89.9	56.3	74.9	113.0

## 2. PLASTIC DECK THRU HULL WITH



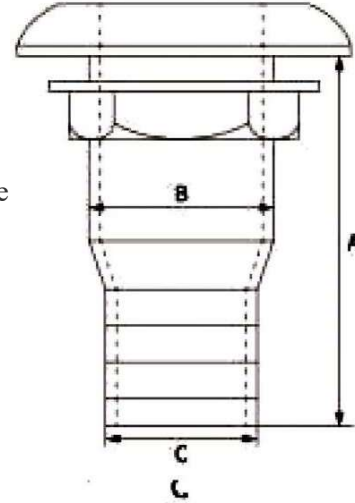
Material: ABS Plastic

Application: Ship, Yacht, Boat accessories, Sailing accessories

Made of high-quality ABS material, fine workmanship, smooth and flat surface, strong, impact resistant, durable, not easy to break or deform, can be used for a long time.

Easy to install and remove, the swivel torque is adjustable, just install it from the inner beam, no need for complicated tools, easy to use.

The Through Hull Fittings are standardized in size and strictly in accordance with the original standard, it can be a direct replacement for old or broken hose.



Part no	Size	A mm	B mm	C mm
AM0620-25	1 Inch	93	33	25
AM0620-38	1-1/2 Inch	102	46.5	38
AM0620-50	2 Inch	130	57	51

# DECK FILLER

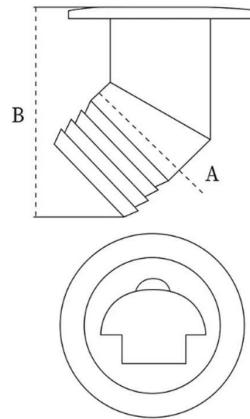
A stainless-steel Deck Filler is a component used in boats to provide a secure and convenient access point for filling various tanks on board, such as fuel, water, or waste tanks.

Here are the functions and advantages of stainless-steel Deck Filler:

- **Filling Function:** The primary function of a stainless-steel Deck Filler is to serve as an access point for filling the boat's tanks. These fillers typically have a threaded opening that matches the corresponding cap, allowing for a secure connection with a fuel or water hose.
- **Durability:** Stainless steel Deck Filler are known for their strength and durability. They are designed to withstand the harsh marine environment, including exposure to saltwater, UV rays, and general wear and tear. Stainless steel const

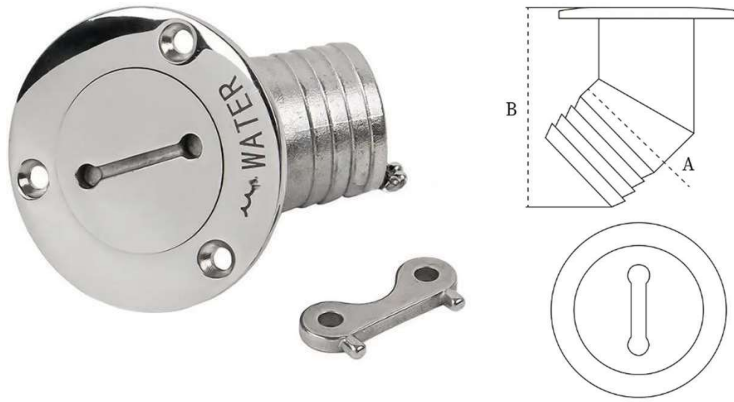


## 1.316 Stainless Steel Marine 45 Degree Deck Filler with Key



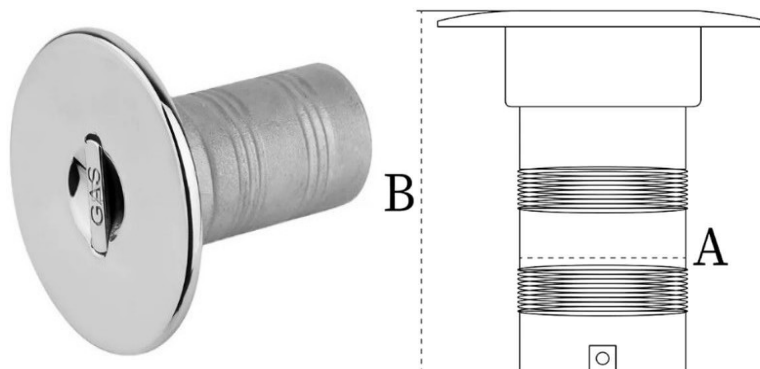
Code	A mm	B mm	Model
AM5038A-FUEL	38	88	FUEL
AM35050A-FUEL	50	105	FUEL
AM5138A-DIESEL	38	88	DIESEL
AM5150A-DIESEL	50	105	DIESEL
AM5238A-WASTE	38	88	WASTE
AM5250A-WASTE	50	105	WASTE
AM5338A-GAS	38	88	GAS
AM5350A-GAS	50	105	GAS
AM5438A-WATER	38	88	WATER
AM5450A-WATER	50	105	WATER

## 2. 316 Stainless Steel Marine 45 Degree Deck Filler with Key



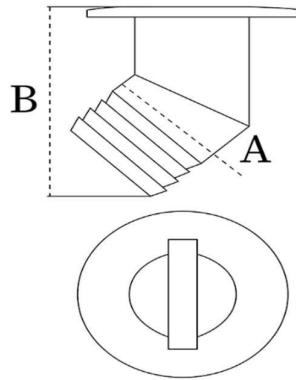
Code	A mm	B mm	Model
AM5038A-FUEL	38	88	FUEL
AM35050A-FUEL	50	105	FUEL
AM5138A-DIESEL	38	88	DIESEL
AM5150A-DIESEL	50	105	DIESEL
AM5238A-WASTE	38	88	WASTE
AM5250A-WASTE	50	105	WASTE
AM5338A-GAS	38	88	GAS
AM5350A-GAS	50	105	GAS
AM5438A-WATER	38	88	WATER
AM5450A-WATER	50	105	WATER

## 3. 316 Stainless Steel Marine Deck Filler



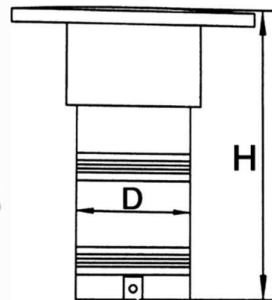
Code	A mm	B mm	Model
AM3038A-FUEL	38	86	FUEL
AM3050A-FUEL	50	86	FUEL
AM3138A-DIESEL	38	86	DIESEL
AM3150A-DIESEL	50	86	DIESEL
AM3238A-WASTE	38	86	WASTE
AM3250A-WASTE	50	86	WASTE
AM3338A-GAS	38	86	GAS
AM3350A-GAS	50	86	GAS
AM3438A-WATER	38	86	WATER
AM3450A-WATER	50	86	WATER

## 4. 316 Stainless Steel Marine Deck Filler



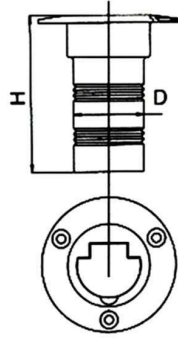
Code	A mm	B mm	Model
AM6038A-FUEL	38	88	FUEL
AM6050A-FUEL	50	105	FUEL
AM6138A-DIESEL	38	88	DIESEL
AM6150A-DIESEL	50	105	DIESEL
AM6238A-WASTE	38	88	WASTE
AM6250A-WASTE	50	105	WASTE
AM6338A-GAS	38	88	GAS
AM6350A-GAS	50	105	GAS
AM6438A-WATER	38	88	WATER
AM6450A-WATER	50	105	WATER

## 5. 316 Stainless Steel Marine Deck



Code	D mm	H mm	Model
AM2038A-FUEL	38	80	FUEL
AM2050A-FUEL	50	80	FUEL
AM2138A-DIESEL	38	80	DIESEL
AM2150A-DIESEL	50	80	DIESEL
AM2238A-WASTE	38	80	WASTE
AM2250A-WASTE	50	80	WASTE
AM2338A-GAS	38	80	GAS
AM2350A-GAS	50	80	GAS
AM2438A-WATER	38	80	WATER
AM2450A-WATER	50	80	WATER

## 6.316 Stainless Steel Marine Deck Filler



Code	D mm	H mm	Model
AM2038A-FUEL	38	80	FUEL
AM2050A-FUEL	50	80	FUEL
AM2138A-DIESEL	38	80	DIESEL
AM2150A-DIESEL	50	80	DIESEL
AM2238A-WASTE	38	80	WASTE
AM2250A-WASTE	50	80	WASTE
AM2338A-GAS	38	80	GAS
AM2350A-GAS	50	80	GAS
AM2438A-WATER	38	80	WATER
AM2450A-WATER	50	80	WATER

# DECK PLATE



## **ABS Deck Plate:**

First, ABS can be easily moulded into various shapes and sizes, allowing for customized designs and configurations to fit specific compartments or locations on the boat.

ABS (Acrylonitrile Butadiene Styrene) Deck Plate is generally lighter in weight than other materials, making them easier to handle during installation or removal. Second, ABS Deck Plate tend to be more affordable compared to other materials, making them a popular choice for budget-conscious boat owners.

ABS Deck Plate is not as resistant to corrosion as stainless-steel Deck Plate, although it can still resist the typical moisture and salt water encountered on board. But no stainless-steel Deck Plate corrosion resistance is better.

**Application:** Ship, Yacht, Boat accessories, Marine hardware, Sailing accessories

# 1. ABS Plastic Marine Hatch Cover

Material: ABS Plastic

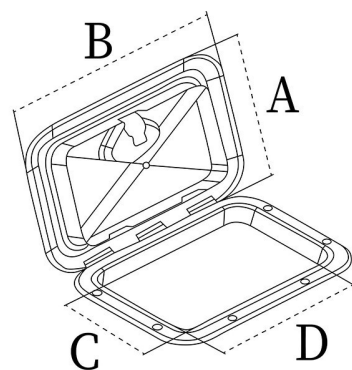
Application: Ship, Yacht, Boat accessories, Marine hardware, Sailing accessories

-Made of hard anti-uv ABS plastic, with good shock resistance, heat resistance, resistance.

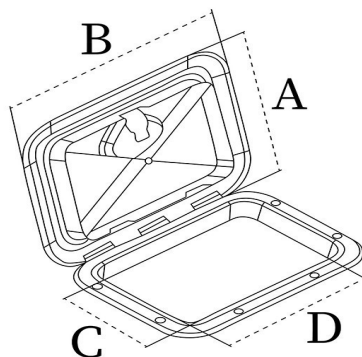
-The rubber sealing strip of the ship's hatch cover has good sealing performance, effectively preventing wind and rain.

-Can be installed vertically or horizontally.

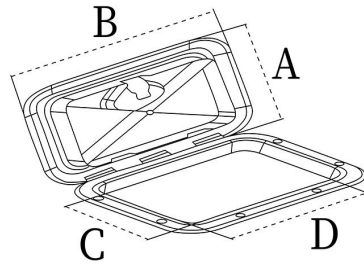
-Adopt block concave-convex anti- surface design, anti- wear-resistant



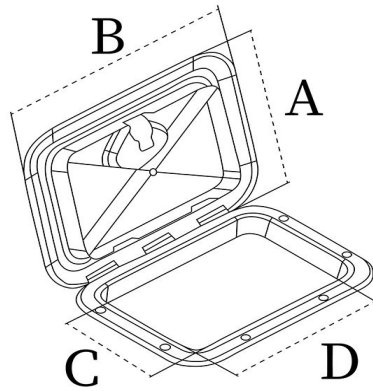
Code	A mm	B mm	C mm	D mm
AM270-375-01	270	375	192	291



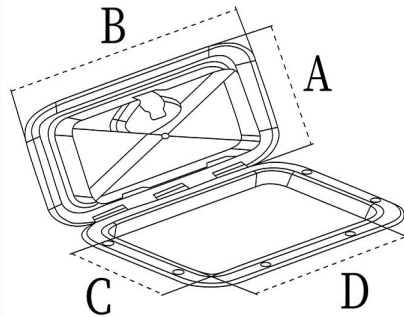
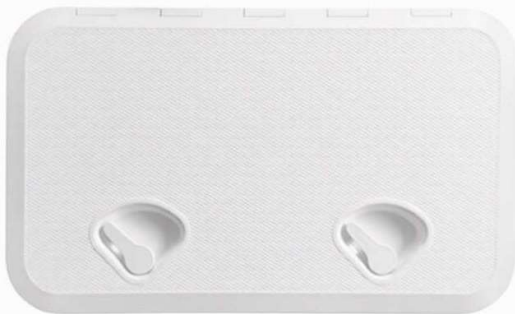
Code	A mm	B mm	C mm	D mm
AM370-375-01	370	375	290	295



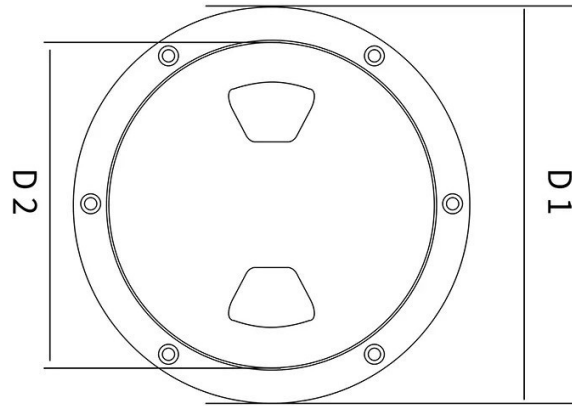
Code	A mm	B mm	C mm	D mm
AM245-607-01	245	607	525	168



Code	A mm	B mm	C mm	D mm
AM460-510-01	460	510	383	436



Code	A mm	B mm	C mm	D mm
AM354-607-01	353	606	278	524



ABS Plastic Round Hatch Cover Deck Plate is a commonly used component in ships and yachts. Here are some of the main features of this type of deck:

**Material:**

Made of ABS (Acrylonitrile Butadiene Styrene) plastic, which is known for its lightweight, durable and waterproof properties. ABS plastic is resistant to corrosion and UV damage, making it suitable for marine applications.

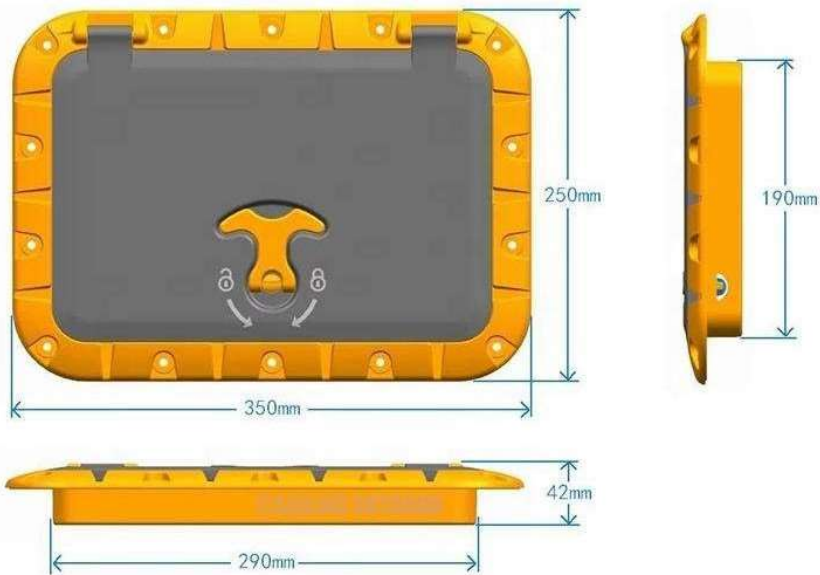
**Round:**

ABS Plastic Round Hatch Cover Deck Plate is designed in a round shape to provide a strong, tight fit when installed on a boat's hatch cover or deck. The round shape also helps prevent water from entering the hull or storage area.

**Easy Access:**

Deck boards are installed on hatches or decks to provide easy access to cabins or areas below. It allows users to easily reach locations such as storage rooms, fuel tanks or bilge areas.

Code	Color	Size	D2 mm	D1 mm
AM-004-01	White	4"	101	143
AM-006-01	White	6"	151	198
AM-008-01	White	8"	180	250



### Marine Deck Access Hatch

The square black and yellow objects are **marine deck hatches** designed for boats, kayaks, and canoes.

- **Dimensions:** These hatches have an outer diameter of approximately **35cm x 25cm (13.7" x 9.84")**.
- **Features:** They typically include a **locking handle** and are designed for floor mounting to provide waterproof access to storage compartments.
- **Accessories:** They are often sold with a **red waterproof storage bag** for holding small items or tools inside the hatch opening

Hull Material	PVC
Outdoor Activity	Surfing
Material	plastic
Type	Kayak Hatch Cover
Occasion	Lakes & Rivers
Color	black
Size	25cm * 35cm



# 46. ENGINE CONTROL



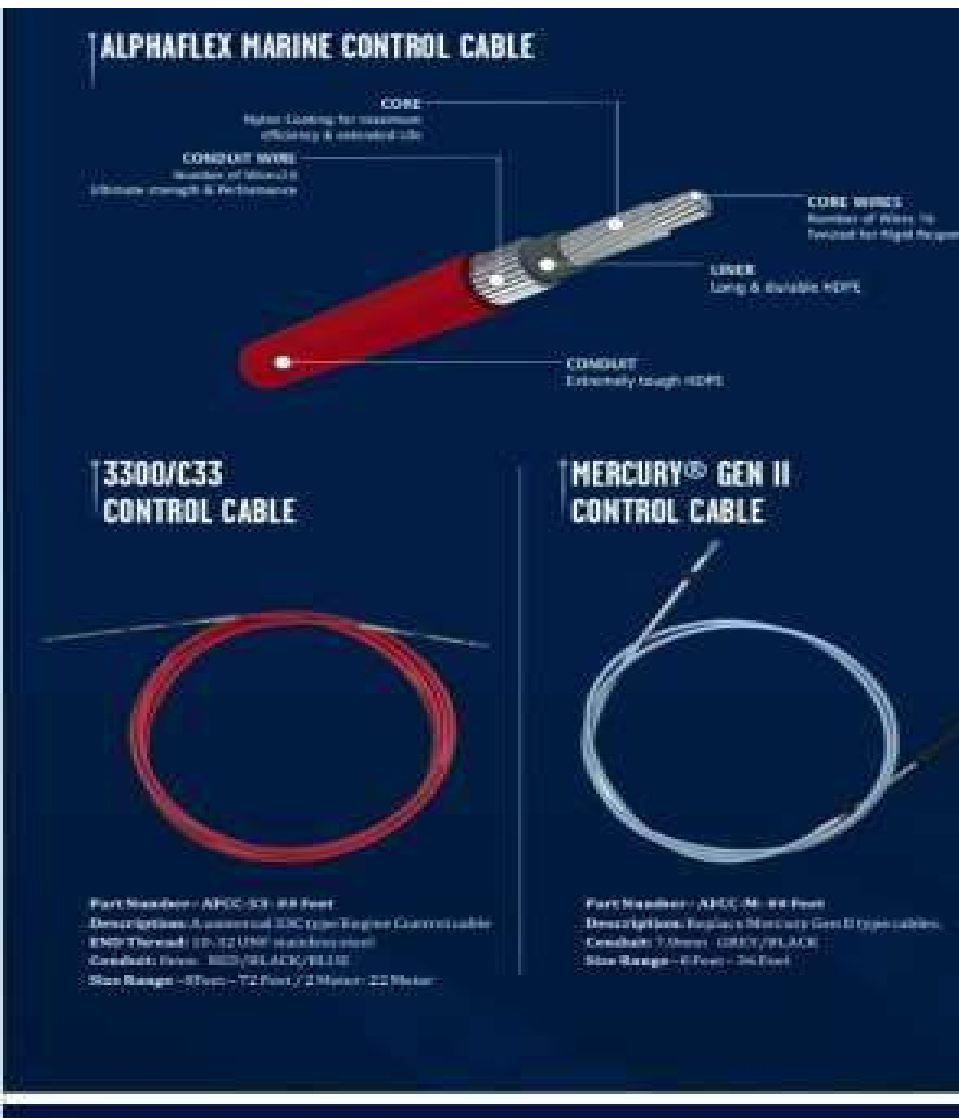
- Pull-out handle disengages shift for throttle only warm-up.
- Dual action, throttle, and shift in one lever
- Operate both throttle and shift for 1 engine.
- Smooth shifting and throttling
- Built-in friction to avoid throttle creep.



**TWIN LEVER DUAL ENGINE CONTROL**

Usage & Applications	Marine equipment
Product Type	Double control lever
Type	Others
Material	aluminum
Automatic Grade	Manual
Drive Type	Manual
Dimensions	1 x 1 x 1 cm; 5.5 kg
Voltage	1 Kilovolts
Wattage	1 kWh
Item Weight	5.5KG

# 47. ECC CABLE



These cables are used for shift and throttle control on diesel and petrol inboard/outboard engines.

## Key Cable Types

- 3300/C33 Control Cable: This model is designed for universal applications and is available in lengths from 6 feet to 40 feet.
- Mercury Gen II Control Cable: Specifically engineered for Mercury engine systems.

## Structural Components

The infographic breaks down the cable's construction:

- Core: Made of stainless steel for maximum efficiency and a long life.
- Core Wires: Features multi-strand wires for rapid responses and high strength.
- Conduit: Constructed from extremely tough HDPE (High-Density Polyethylene)
- Liner: Designed for low friction and smooth movement, typically made from long-life HDPE



**LIFE JACKET**

**LIFE JACKETS LIGHTS**

**RING BUOY**

**SI LIGHTS**

**BUOYANT LIFELINE**

**RESQUE QUOIT**

**BUOYANT APPARATUS**

**HANDHELD TORCH**

**FIRST AID KIT BOX**

**MEGAPHONE SPEAKER**

**APPLE BOUYS**

**POLYFORM'S FENDER**

**DINGHY BOATS**

**RESCUE BOATS**

**WATER SPORT SAFETY HELMET**

**OARS LOCK**

**JABSCO MARINE TOILETS**

**JABSCO SEARCH LIGHT**

**HAND PUMP**

**DECK HARDWARE**

**ENGINE CONTROL**

**OARS PADDLE**

**HEAT DETECTOR**

**SMOKE DETECTOR**

**MARINE COMPASS**

**ANCHORS**

**ICOM**

**WALKIE-TALKIE**

**GARMIN**

**GPS**

**FURUNO**

**HIGH-SENSITIVITY AIS**

**NAVIGATION LIGHT**

**BOAT ACCESSORIES**

**BINOCULARS**

**BILGE PUMP**

**FLOAT SWITCH**

**MARINE FRESH WATER PUMP**

**WATER PRESSURE**

**BLOWER**

**DECK PLATES**

**ECC CABLE**

# THANK YOU

**OCEANIC VENTURE & CO**

**Add: 204, Floor no 2 Sujata Chamber, Near Masjid  
Station, Mumbai no 400003**

**Office no: 8065486906 Mobile no:**

**9987083321/9820903752/7977948937**