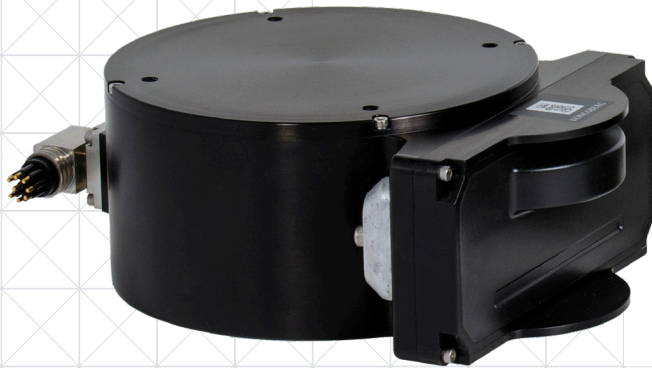


FLEXVIEW HF

P/N 922-20200000-7802



KONGSBERG



FEATURES

- Ethernet and synchronization
- 700 kHz to 1400 kHz operating frequency
- Ideally suited for small observation-class ROVs
- Distortion-free images at a high update rate
- High-resolution images at short range
- Up to 100 m coverage over a 140° sector, reducing the time it takes to search for and locate targets
- Removable transducer for rapid field replacement
- Low-profile wet mateable connector
- Intuitive and easy-to-use software
- Significant time savings

MULTIBEAM SONAR FOR SMALL OBSERVATION-CLASS ROVS

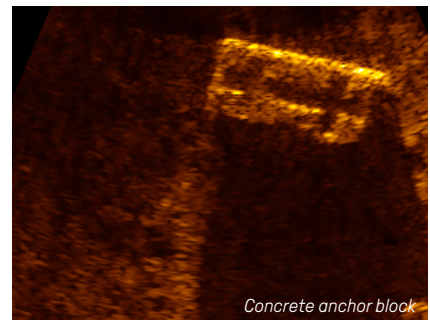
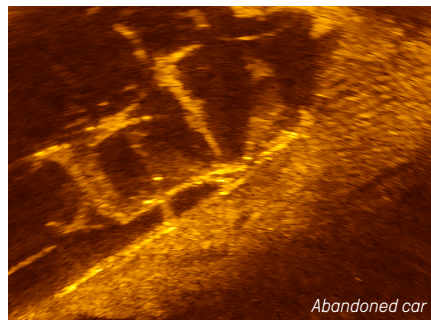
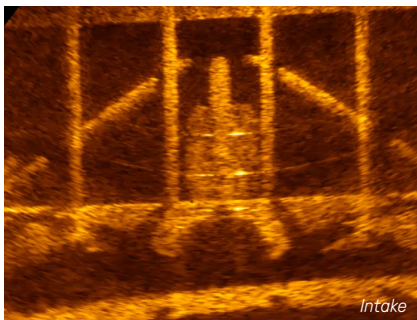
The Flexview, Kongsberg Mesotech's latest advancement in multibeam sonar technology, is designed specifically for small observation-class ROVs where compact size and light weight are key selection criteria.

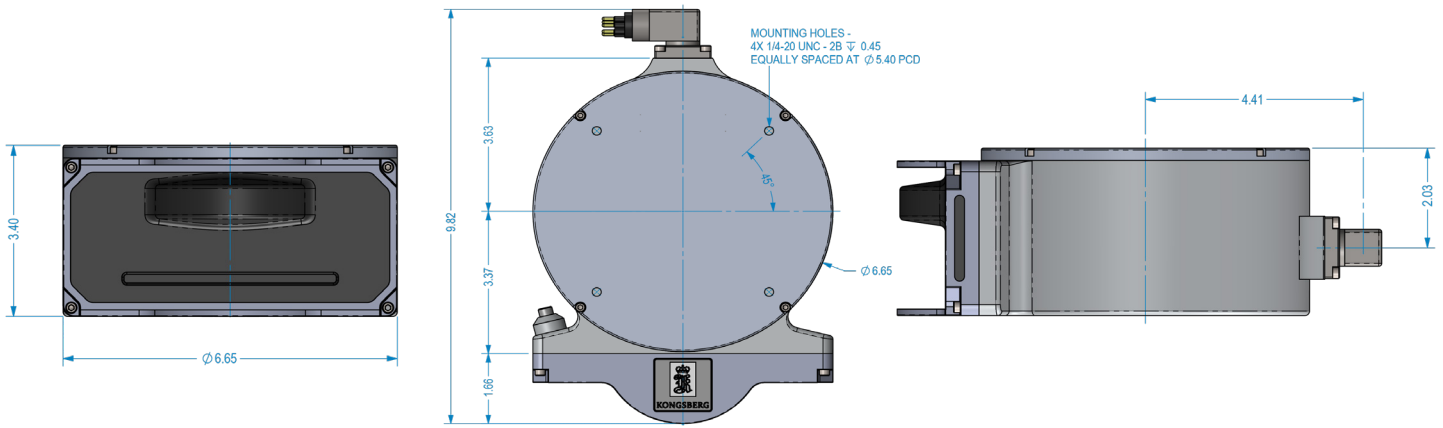
Delivering superior image quality and coverage, the Flexview sonar provides high-quality, distortion-free images at a range of up to 100 m over a 140° sector, reducing the time it takes to search for and locate targets.

The Flexview's removable transducer is the first of its kind, offering field replacement of a damaged transducer in the unlikely event of a catastrophic impact. It also allows for potential new transducer configurations to be exchanged in the future, depending on the job being performed.

APPLICATIONS

- Search and recovery
- Marine Engineering
- Site inspection
- Environmental monitoring
- Site Clearance
- Underwater science





TECHNICAL SPECIFICATIONS

SONAR SPECIFICATIONS

Range:	0.2 m to 100 m
Range resolution:	1 cm
Frequency:	700 kHz - 1400 kHz
Pulse types:	CW, CHIRP
Update rate:	up to 40 Hz

IMAGING MODE - 700 KHZ

Horizontal FOV:	140°
Vertical beamwidth:	30°
Angular resolution:	1.0°

IMAGING MODE - 950 KHZ

Horizontal FOV:	140°
Vertical beamwidth:	27°
Angular resolution:	0.8°

IMAGING MODE - 1200 KHZ

Horizontal FOV:	75°
Vertical beamwidth:	21°
Angular resolution:	0.65°

IMAGING MODE - 1400 KHZ

Horizontal FOV:	45°
Vertical beamwidth:	18°
Angular resolution:	0.55°

INTERFACE SPECIFICATIONS

Communication:	Ethernet 10/100 Mbps
Input voltage:	12 to 36 VDC
Input power:	50 W (avg.), peak power < 70 W, mode dependant
Operating System:	Windows 10
Synchronization:	PRI Sync

ENVIRONMENTAL SPECIFICATIONS

Temperature	
Operation:	-2°C to +38°C
Storage:	-40°C to +55°C

MECHANICAL SPECIFICATIONS

Width:	169 mm (6.65 in)
Height:	86 mm (3.40 in)
Depth:	249 mm (9.82 in)
Weight in Air:	3.75 kg
Weight in Water:	1.38 kg
Depth Rating:	300 m
Connector Type:	SubConn®
Connector Model:	8 pin
Materials:	Hard Anodized Aluminum, Stainless Steel 316, Elastomeric Polyurethane



Flexview on VideoRay ROV

922-20207901-7802-1.3

KONGSBERG MESOTECH

1598 Kebet Way, Port Coquitlam, BC, Canada, V3C 5M5
 Phone: 604-464-8144
 Toll-Free: 1-888-464-1598
 Fax: 604-941-5423

km.sales.vancouver@km.kongsberg.com



KONGSBERG