

# BRS-RT-002

## Survey Boom Arms



### Key Features

Simple installation and operations

Incorporates “Parallel Linkage” mechanism to maintain camera angle throughout entire boom range

Suitable for inspection of pipeline diameters of up to 36”

Comes with BRS P&T units as standard

## Product Overview

The BRS Survey Boom Arm is designed to complement pipeline inspection scopes, allowing inspection of either side, as well as underside of pipeline in a single pass. Designed for inspection of pipeline with diameters of up to 36”.

The BRS Survey Boom Arm also incorporates a hydraulic “over-load” safety feature, where the assembly either pivots up/down/left/right when the set load threshold is reached. This allows the assembly to “flow” (up to range limit) with the load to prevent damage from impact or accidental collisions. The Boom Arms come with a set of BRS P&T, designed to be fitted with 1 x Camera unit and 1 x Light unit each.

**Disclaimer.** This datasheet serves as reference only. Actual dimensions and specifications may differ from the details stipulated in this document. Actual specification to be confirmed with Blue Ring Subsea on case-to-case basis.

[www.blueringsubsea.com](http://www.blueringsubsea.com)

[sales@blueringsubsea.com](mailto:sales@blueringsubsea.com)



**BLUE RING**  
SUBSEA

# BRS-RT-002

## Survey Boom Arms



### Mechanical (values per arm)

<b>Overall Length</b>	1820mm max
<b>Height (from base)</b>	1069mm max
<b>Width</b>	138mm
<b>Weight (per unit)</b>	
<b>In air</b>	15kg (without P&T) 24kg (with P&T)
<b>In water</b>	8kg (without P&T) 16kg (with P&T)
<b>Depth rating</b>	3000m
<b>Envelop of Motion</b>	
<b>Boom range</b>	(Up) 70° - 0 - 50° (Down)
<b>Slew Range</b>	(Outboard) 80° - 0 - 25° (Inboard)
<b>Pan range</b>	Default: 180° (adjustable)
<b>Tilt range</b>	Default: 135° (adjustable)

### Hydraulic

<b>Max Working Pressure</b>	206bar (3000psi)
<b>Boom &amp; Slew function connections (B1, B2, S1, S2)</b>	-4 (7/16") JIC M
<b>Pan &amp; Tilt function connections (P1, P2, T1, T2)</b>	-4 (7/16") JIC M
<b>Pan &amp; Tilt Compensation port connection (C)</b>	-4 (7/16") JIC M

### Standard Package

One (1) Pair of BRS Survey Boom Arms c/w BRS Hydraulic P&T Units

One (1) complete set of hydraulic hoses for each function, 3m-long each.

Standard spares kit

**Disclaimer:** This datasheet serves as reference only. Actual dimensions and specifications may differ from the details stipulated in this document. Actual specification to be confirmed with Blue Ring Subsea on case-to-case basis.

[www.blueringsubsea.com](http://www.blueringsubsea.com)

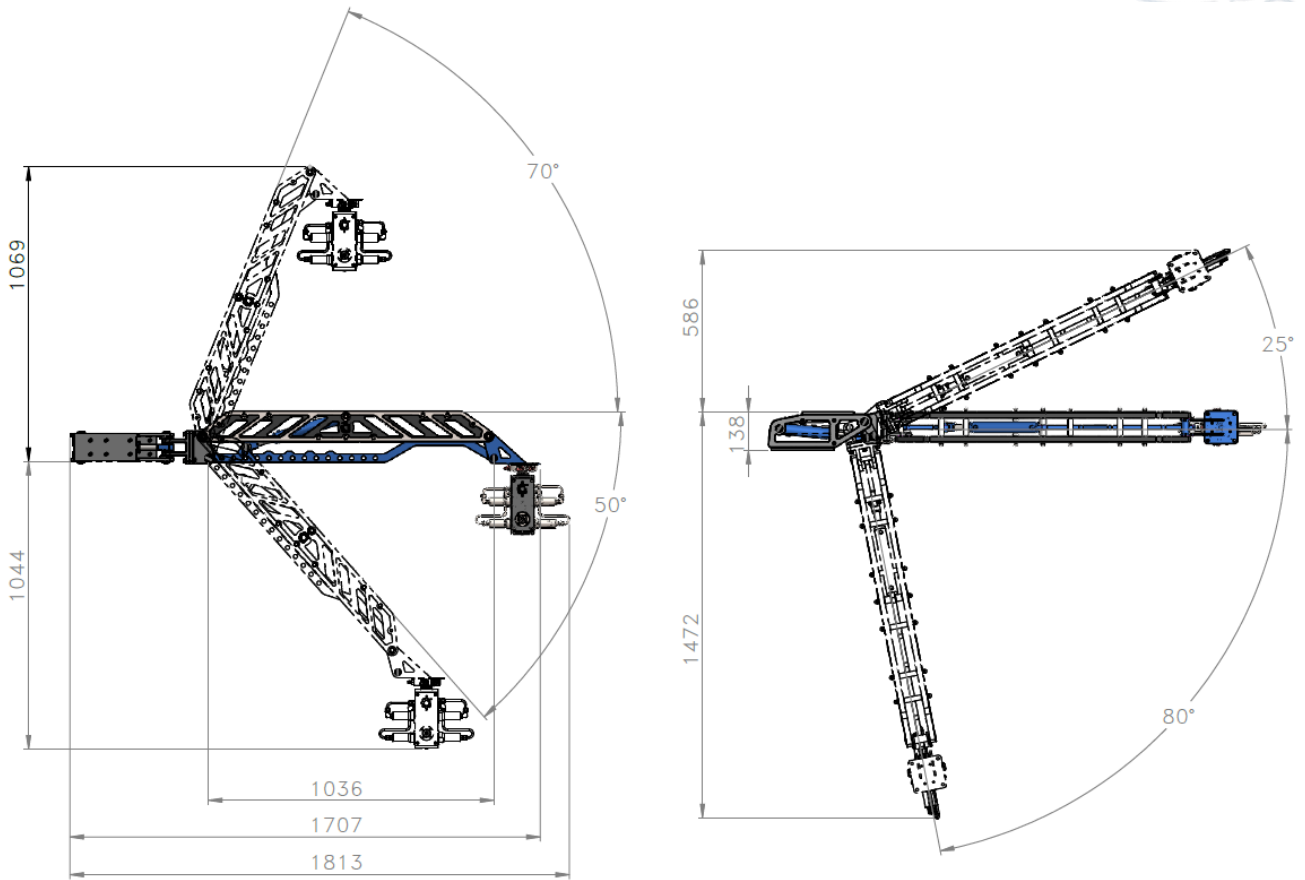
[sales@blueringsubsea.com](mailto:sales@blueringsubsea.com)



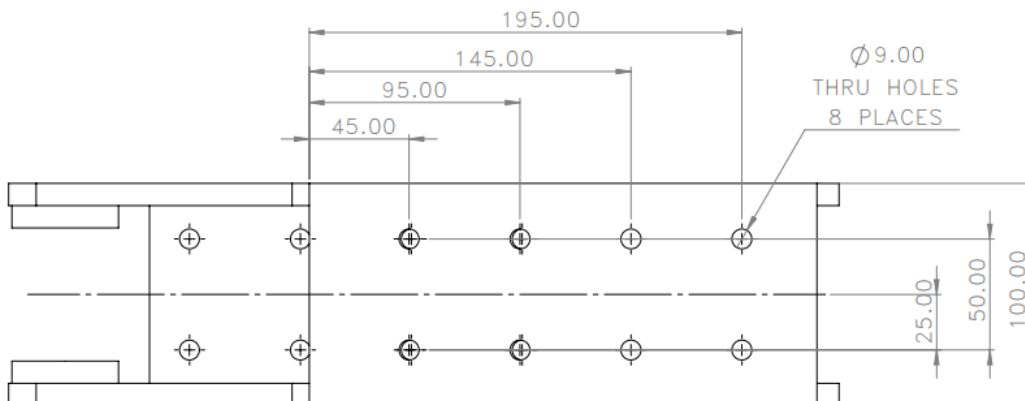
**BLUE RING**  
SUBSEA

# BRS-RT-002

## Survey Boom Arms



Motion Envelope



Mounting hole dimensions

**Disclaimer:** This datasheet serves as reference only. Actual dimensions and specifications may differ from the details stipulated in this document. Actual specification to be confirmed with Blue Ring Subsea on case-to-case basis.

[www.blueringsubsea.com](http://www.blueringsubsea.com)

[sales@blueringsubsea.com](mailto:sales@blueringsubsea.com)



**BLUE RING**  
SUBSEA