

# SHANTUI

# SD16

Crawler Dozer



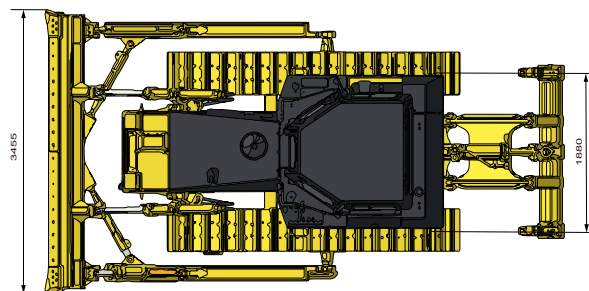
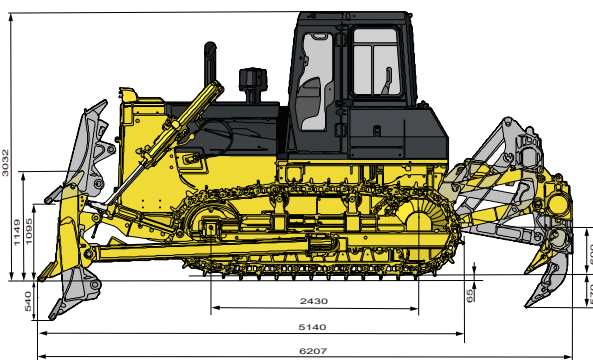
Engine Model: Weichai WD10G178E25  
Gross Power: 131kW(175hp)@1850rpm  
Operating Weight: 17,000kg

Shantui Torqflow Travel Drive  
powershift transmission

# SD16 SPECIFICATIONS

ENGINE		SD16	SD16C	SD16E	SD16F	SD16L	SD16R
Engine		WEICHAI WD10G178E25			SHANGCHAI SC11CB184G2B1		
Emission		China-II			China-II		
Rated revolution		1850rpm			1850rpm		
Gross power		131kW(175hp)@1850rpm			131kW(175hp)@1850rpm		
Net power		121kW(160hp)@1850rpm			121kW(160hp)@1850rpm		
Number of cylinder-bore×stroke		6-126X130mm			6-121X152mm		
Displacement		9.726L			10.5L		
Max. torque		830N.m@1100-1200rpm			843N.m@1300rpm		
Cooling system		Mechanic fan			Mechanic fan		
DRIVE SYSTEM		SD16	SD16C	SD16E	SD16F	SD16L	SD16R
Drive system		Manufactured by SHANTUI, with high working efficiency, low breakdown rate; torqflow transmission, 3 gears forward and 3 gears backward.					
Traveling speed	Forward	0-3.29km/h, 0-5.82km/h, 0-9.63km/h					
	Backward	0-4.28km/h, 0-7.59km/h, 0-12.53km/h					
Torque converter		3-element, single stage, 1-phase					
Transmission		Planetary gear and torqflow transmission hydraulically actuated, forced lubrication					
Bevel gear shaft		Spiral bevel gear, single-stage speed reduction, splash lubrication					
Steering clutch		Wet multiple disc, disc spring loaded, hydraulically actuated, hand operated, interconnected with steering brake.					
Brake		Wet, contracting band, foot operated with hydraulic booster					
Final drive		Spur gear, double reduction, splash lubrication					
CHASSIS SYSTEM		SD16	SD16C	SD16E	SD16F	SD16L	SD16R
Type		Swing type of sprayed beam, suspended structure of equalizer bar					
Track shoe type		Single grouser			Wetland type		
Track gauge		1880mm	1880mm	1880mm	1880mm	2300mm	2300mm
Width of track shoe		510/560/610mm	610mm	560mm	560mm	1100/950mm	1100/660mm
Track grounding length		2430mm	2430mm	2365mm	2365mm	2935mm	2935mm
Track grounding area		24786cm <sup>2</sup>	29646cm <sup>2</sup>	29512cm <sup>2</sup>	29512cm <sup>2</sup>	64570cm <sup>2</sup>	64570cm <sup>2</sup>
Number of track shoe		37pcs/side	37pcs/side	39pcs/side	39pcs/side	42pcs/side	42pcs/side
Grounding pressure (standard configuration)		58kPa	59.2kPa	55kPa	55kPa	25kPa	25kPa
Number of carrier roller		2 pcs/side					
Number of track roller		6pcs/side			7pcs/side		
Pitch		203mm					
REFILL CAPACITY		SD16	SD16C	SD16E	SD16F	SD16L	SD16R
Fuel capacity		315L	315L	315L	315L	315L	315L
Coolant liquid capacity		62.8L	62.8L	62.8L	62.8L	62.8L	62.8L
Engine oil capacity		24L	24L	24L	24L	24L	24L

Hydraulic oil tank	112L	112L	112L	112L	112L	112L
Transmission	52L	52L	52L	52L	52L	52L
Drive axle	70L	70L	70L	70L	70L	70L
Final drive	21L/side	21L/side	21L/side	25L/side	25L/side	25L/side
OPERATING WEIGHT	SD16	SD16C	SD16E	SD16F	SD16L	SD16R
Standard	17000kg	17370kg	17346kg	17500kg	18460kg	18460kg
BLADE	SD16	SD16C	SD16E	SD16F	SD16L	SD16R
Blade type	Straight-tilt/U	Coal-U	Straight-tilt	Straight-tilt / Angle	Straight-tilt	Waste handling blade
Blade capacity	3.5/4.8m <sup>3</sup>	6m <sup>3</sup>	3.5m <sup>3</sup>	3.5/3.2m <sup>3</sup>	3m <sup>3</sup>	8.3m <sup>3</sup>
DIMENSION	SD16	SD16C	SD16E	SD16F	SD16L	SD16R
Machine height (without ROPS)	3032mm	3032mm	3032mm	3032mm	3074mm	3074mm
Track grouser height	65mm	65mm	65mm	65mm	101.5mm	101.5mm
Ground clearance	400mm	400mm	400mm	400mm	400mm	400mm
Machine length (with draw bar)	5140mm	5427mm	5345mm	5350mm	5262mm	5262mm
Max. lifting height of blade	1095mm	1095mm	1095mm	1095mm	1005mm	1005mm
Max. digging depth of blade	540mm	540mm	540mm	540mm	485mm	485mm
Digging angle of blade	55°±3°(deg.)					
Blade width	3455/3556mm (Straight-tilt/U)	3900mm	3455mm	3455/4011mm (Straight-tilt/Angle)	4150mm	4150mm
Blade height	1149/1120mm (Straight-tilt/U)	1235mm	1149mm	1149/1040mm (Straight-tilt/Angle)	960mm	1590mm
Width from end of left track shoe to end of right track shoe (standard)	2390mm	2490mm	2440mm	2440mm	3400mm	
RIPPER						
Type	Three-shank ripper					
Weight	1631kg					
Max. ripping depth	572mm					
Max. lifting height	592mm					
Ripper length (at deepest ripping)	1580mm					
Ripper width	2080mm					
Departure angle (at highest lifting)	32.1°					
Ripping width	1900mm					
Distance between ripper teeth	950mm					



\* THE SPECIFICATIONS ARE SUBJECT TO CHANGE WITHOUT NOTICE. THE PICTURES MAY INCLUDE OPTIONS. THE ACTUAL COLOR & APPEARANCE OF THE PRODUCT MAY DIFFER FROM WHAT IS SHOWN.

## SHANTUI CONSTRUCTION MACHINERY CO., LTD.

ADD: No. 58, G327 Highway Jining City, Shandong, CHINA  
 TEL: +86-537-2909369  
 FAX: +86-537-2311219  
 EMAIL: trade@shantui.com  
 WEB: www.shantui.com

**SHANTUI**  
 LET'S MAKE CONSTRUCTION EASIER