

# Urban Construction Pioneer

SUNWARD

## SWE60E

◆ Operating weight: 6t    ◆ Engine power: 36.2kW/2100rpm    ◆ Bucket capacity: 0.22m<sup>3</sup>



- The first one to use customized small engine in China.
- It is equipped with heavy-duty parallel radiators to ensure the engine can operate normally for a long time.
- The size of the upper-structure is increased to provide better stability by improving the position of the center of gravity and an attractive appearance.
- The fuel tank is bigger.



# SWE60E

# Main Technical Parameters

## Features and specifications

### Specifications

|                  |                |      |
|------------------|----------------|------|
| Operating weight | t              | 6    |
| Bucket capacity  | m <sup>3</sup> | 0.22 |

### Engine

|              |  |           |
|--------------|--|-----------|
| Brand        | Yanmar Engine (Shandong) Co., Ltd        |           |
| Model        | 4TNV94L-BVSUC                            |           |
| Type         | Four-cylinder, four-stroke, water-cooled |           |
| Power        | kW/rpm                                   | 36.2/2100 |
| Displacement | L  | 3.054     |

### Hydraulic System

|                           |   |      |
|---------------------------|---|------|
| Type of main pump         | Swash plate variable displacement piston pump |      |
| Maximum flow of main pump | L/min   | 158  |
| System pressure           | MPa   | 24.5 |
| Pilot pressure            | Mpa   | 3.5  |

### Performance

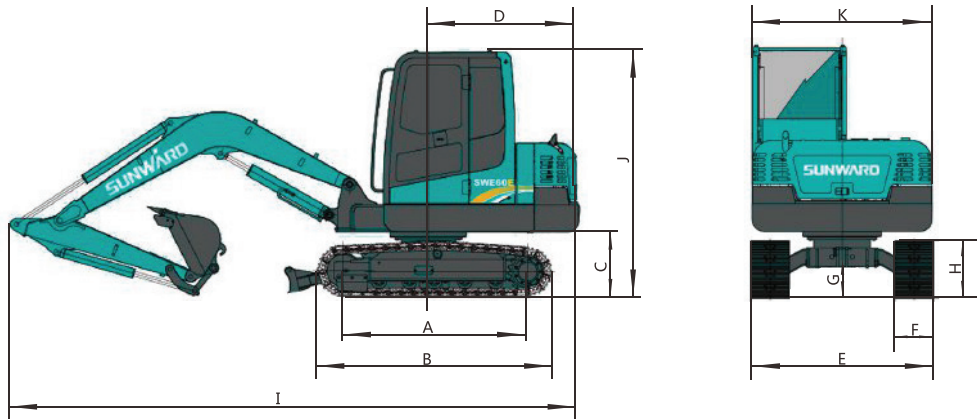
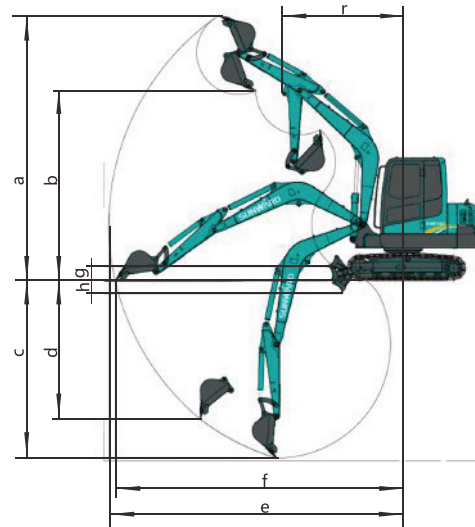
|                 |      |           |
|-----------------|------|-----------|
| Rotating speed  | rpm  | 9.4       |
| Traceling speed | km/h | 4.07/2.43 |
| Gradeability    | °    | 35        |
| Track width     | mm   | 400       |
| Ground pressure | kPa  | 34.5      |

### Tank Volume

|                              |   |     |
|------------------------------|---|-----|
| Fuel tank volume             | L | 113 |
| Hydraulic liquid tank volume | L | 96  |

## Working range and digging capacity

|                         |                                       |    |          |
|-------------------------|---------------------------------------|----|----------|
| a                       | Max. digging height                   | mm | 5765     |
| b                       | Max. unloading height                 | mm | 4160     |
| c                       | Max. digging depth                    | mm | 3730     |
| d                       | Max. vertical digging depth           | mm | 3800     |
| e                       | Max. digging radius                   | mm | 6175     |
| f                       | Max. digging reach at ground level    | mm | 6030     |
| g                       | Max. lift height of the dozer blade   | mm | 445      |
| h                       | Max. digging depth of the dozer blade | mm | 340      |
| r                       | Min. front swing radius               | mm | 2480     |
| Dozer blade (L×W)       |                                       | mm | 1900×325 |
| Digging force of bucket |                                       | kN | 47       |
| Digging force of arm    |                                       | kN | 31       |



## Dimensions

|                            |                              |                |      |             |                          |     |      |
|----------------------------|------------------------------|----------------|------|-------------|--------------------------|-----|------|
| Overall dimensions (L×W×H) | mm                           | 5875×1900×2615 | F    | Track width | mm                       | 400 |      |
| A                          | Wheel tread                  | mm             | 1965 | G           | Chassis ground clearance | mm  | 320  |
| B                          | Total track length           | mm             | 2495 | H           | Track height             | mm  | 595  |
| C                          | Ground clearance of platform | mm             | 700  | I           | Overall length           | mm  | 5875 |
| D                          | Platform tail slewing radius | mm             | 1600 | J           | Overall height           | mm  | 2615 |
| E                          | Chassis width                | mm             | 1880 | K           | Overall width            | mm  | 1900 |

★ The above parameters may change due to product update



**PT. SICOMA INDO PERKASA**

Ruko THE ICON H/5 Jl.Raya Cisauk-Lapan BSD Tangerang 15343

Tlp:021-22232607 Email:info@sicoma.co.id

@sicomaindonesia

**SUNWARD**