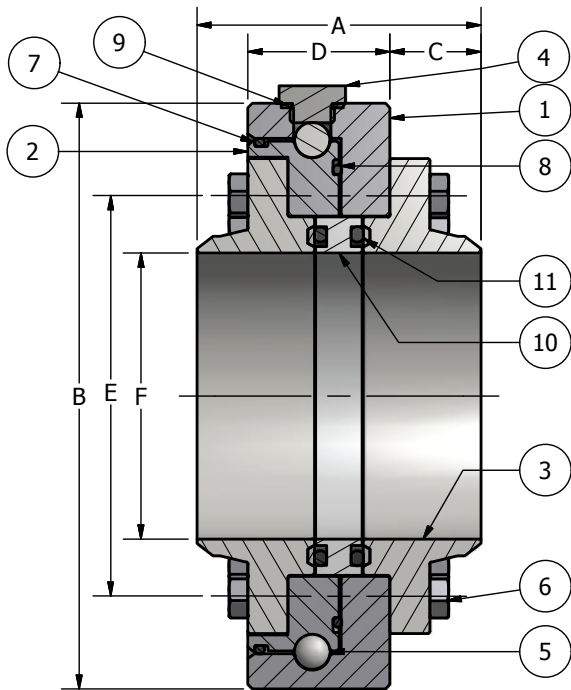


Swivel Breakdown



Parts List

Item	Qty	Description
1	1	Body
2	1	Insert
3	2	Swivel Flange
4	1	Ball Plug
5	45	Ball Bearing
6	2	Bolt, Grade 5
7	1	Bearing O-Ring, Outer
8	1	Bearing O-Ring, Inner
9	1	Ball Plug O-Ring
10	1	Seal Block
11	2	Seal Block O-Ring

Dimensions

Size	A	B	C	D	E	F
2"	4	6.25	1.25	2	3.75	2
3"	4	7.25	1.25	2	4.75	3
4"	4	8.25	1.25	2	5.75	4

Product Seal O-Rings

Size	Buna	Viton GFLT	FEP
2"	XL1.02SBA-01	XL1.02SBA-02	XL1.02SBA-03
3"	XL1.03SBA-01	XL1.03SBA-02	XL1.03SBA-03
4"	XL1.04SBA-01	XL1.04SBA-02	XL1.04SBA-03

Module Assembly

Size	Standard	High Temp	Buna	Viton GFLT	FEP
2"	XL1.02SMA	XL1.02HMA	XL1.02SBA-01	XL1.02SBA-02	XL1.02SBA-03
3"	XL1.03SMA	XL1.03HMA	XL1.03SBA-01	XL1.03SBA-02	XL1.03SBA-03
4"	XL1.04SMA	XL1.04HMA	XL1.04SBA-01	XL1.04SBA-02	XL1.04SBA-03

Seal Block Assembly

Flange

Size	A 105 Carbon Steel	316L Stainless Steel	Insert	Body	Seal Block	Ball Bearing (Qty)	Ball Plug
2"	XL1.02F-200	XL1.02F-201	XL1.02I-200	XL1.02B-200	XL1.02SB-200	BB0500 (32)	BP01
3"	XL1.03F-200	XL1.03F-201	XL1.03I-200	XL1.03B-200	XL1.03SB-200	BB0500 (39)	BP01
4"	XL1.04F-200	XL1.04F-201	XL1.04I-200	XL1.04B-200	XL1.04SB-200	BB0500 (45)	BP01

Bearings

Bearing Seals

Size	Inner	Outer	Ball Plug	Inner	Outer	Ball Plug
2"	XL1.02IBS-04	XL1.02OBS-04	XL1.02BPS-04	XL1.02IBS-05	XL1.02OBS-05	XL1.02BPS-05
3"	XL1.03IBS-04	XL1.03OBS-04	XL1.03BPS-04	XL1.03IBS-05	XL1.03OBS-05	XL1.03BPS-05
4"	XL1.04IBS-04	XL1.04OBS-04	XL1.04BPS-04	XL1.05IBS-05	XL1.05OBS-05	XL1.05BPS-05

High Temp Bearing Seals

XL-1.0 Swivel Joint



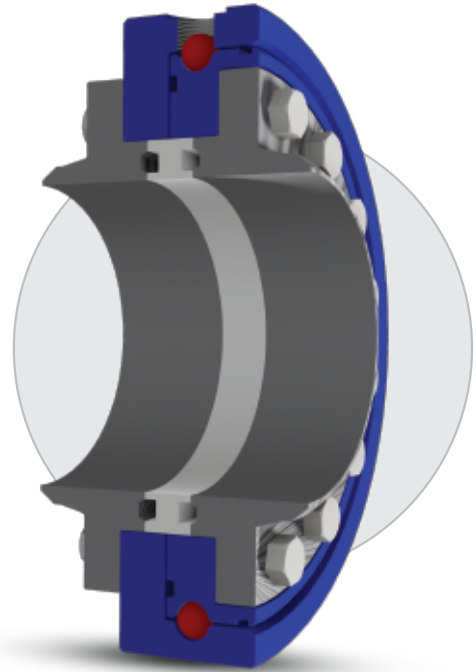
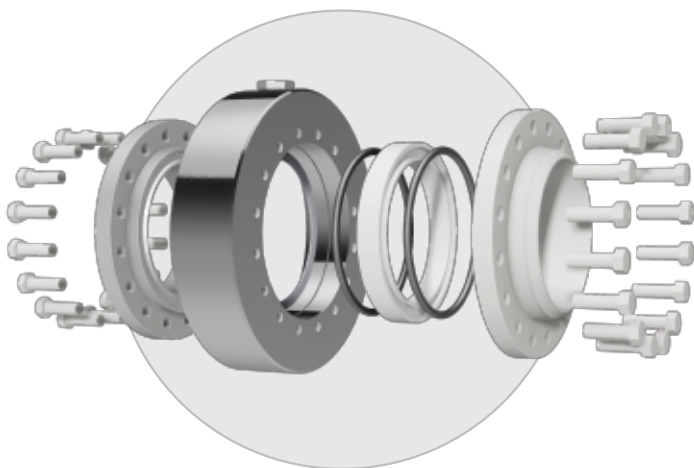
The XL-1.0 is designed for high durability and ease of maintenance. It is manufactured to the highest quality and safety standards in the industry. The XL-1.0 is the preferred choice for swivels.

XL-1.0 Design

The XL-1.0 meets the industry's highest standards in the oil and gas, food and chemical industries. With precision machining and finishes the XL-1.0 provides high pressure sealing for nearly all media.

Durability

The XL-1.0 improves performance and durability. Special hardened ball races enhance longevity and ease of maintenance, making the swivel easy to maneuver under various mechanical and hydraulic loads.



Domestic

XL-1.0 is made entirely from domestic products to ensure quality and traceability from each component of the swivel.

Performance

The precision tolerances and corrosion resistant seal faces assure a tight seal as well as low-maintenance design.

Maintenance

Our split flange design provides minimal maintenance. No welding is required to replace swivels in line. Seals are accessible without removing ball bearings. The ability to ship an entire swivel or any component allows ultimate flexibility and minimizes downtime.