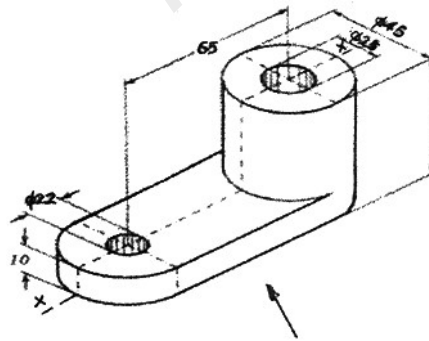


PART—B

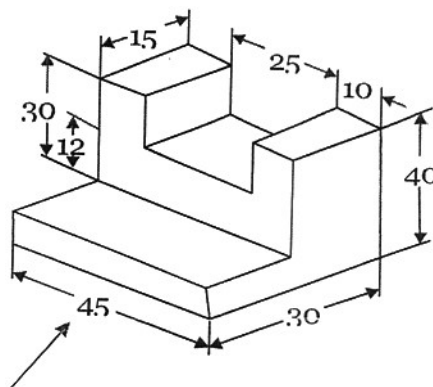
10×4=40

- Instructions :** (1) Answer *any four* questions.
(2) Each question carries **ten** marks.
(3) Take suitable scale wherever required.
(4) All dimensions are in mm.

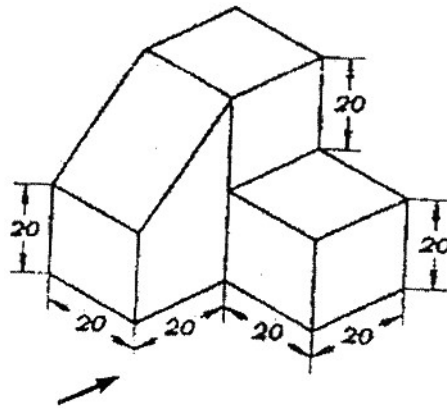
5. Construct an ellipse by concentric circles method whose major and minor axes are 120 mm and 80 mm respectively.
6. Draw the projections of a regular hexagon of 30 mm side of having one of its sides on the HP and the surface of the plane is perpendicular to VP and inclined at 45° to HP. Draw the projections of the plane.
7. A pentagonal pyramid of height 70 mm and side of the base 30 mm is resting on its corner on HP. Draw its projections when its base is inclined at 60° to HP and one of its base edge is perpendicular to VP.
8. Draw the sectional front view, top view and side view of the object shown below :



9. Draw the front view, top view and side view of the object shown below :



10. Draw front view, top view and right-side view of the object shown in figure below :



158