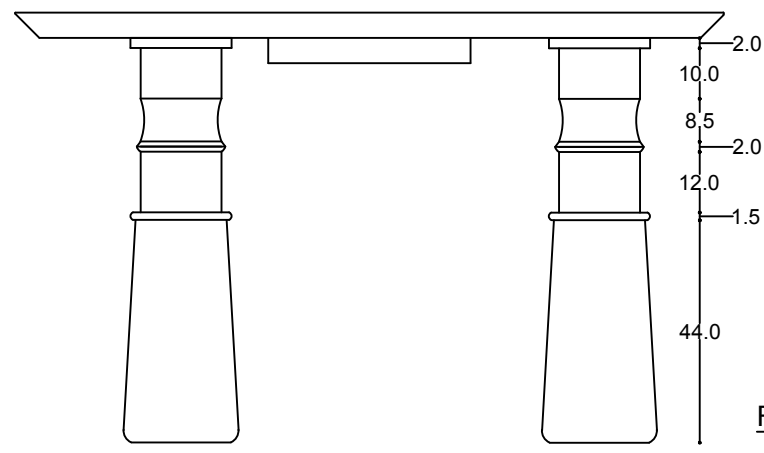
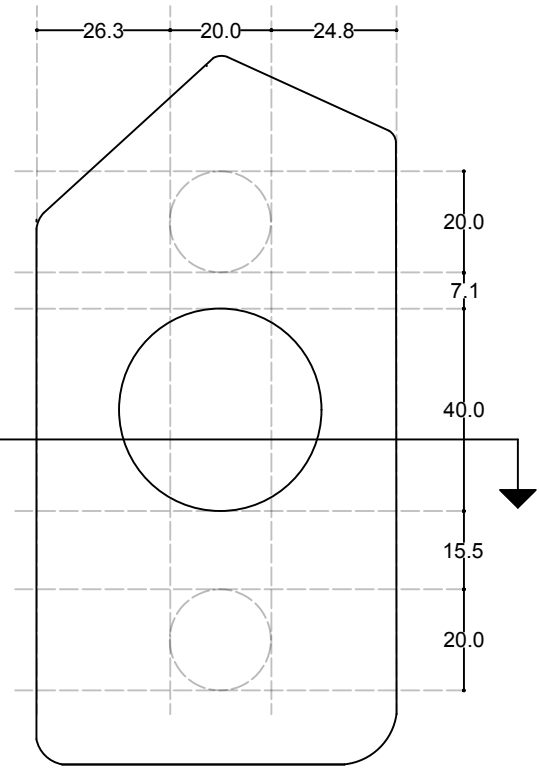
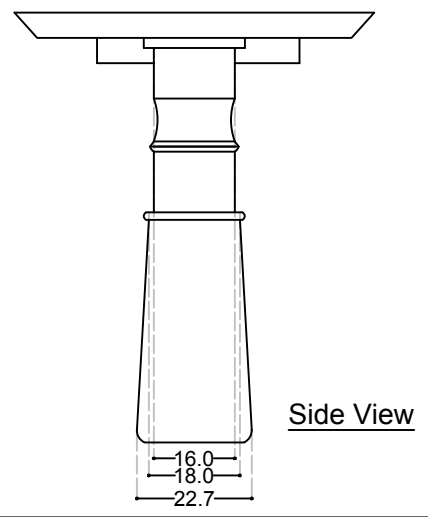


Top plan



Front View



Side View

**Product - Model 8**

**Type - Free Standing**

**Unit - Centimeters**

**Material - marble**