

Etsilon



Count Totaliser CNT704

Features

- ▶ 6 digit, 7 segment count totaliser
- ▶ Inbuilt sensor supply
- ▶ 20Hz, 5kHz input speed
- ▶ Front panel reset
- ▶ Speed selection via DIP switch
- ▶ 36 x 72mm size
- ▶ Memory retention

INDEX

CONTENTS

Page No.

A) SAFETY PRECAUTIONS

SAFETY SUMMARY.....03

B) OVERVIEW

SPECIFICATIONS.....03

MECHANICAL INSTALLATION.....03

C) TERMINAL CONNECTION

DIP SWITCH SETTING.....04

RESET METHOD.....04

TYPICAL APPLICATION.....04

A) SAFETY PRECAUTIONS

⚠ SAFETY SUMMARY

Please maintain these instructions and review them prior to using the unit:

⚠ WARNING:

1. This unit is panel mounted type with its output terminals connecting to the host equipment. Such equipment shall also comply with basic EMI/EMC and safety requirements like IEC 61326-1 and IEC 61010 respectively.
2. To avoid electric shock, power supply of the unit should be kept off while wiring. Wiring should be done strictly as per the terminal layout, given in the manual.

⚠ CAUTION:

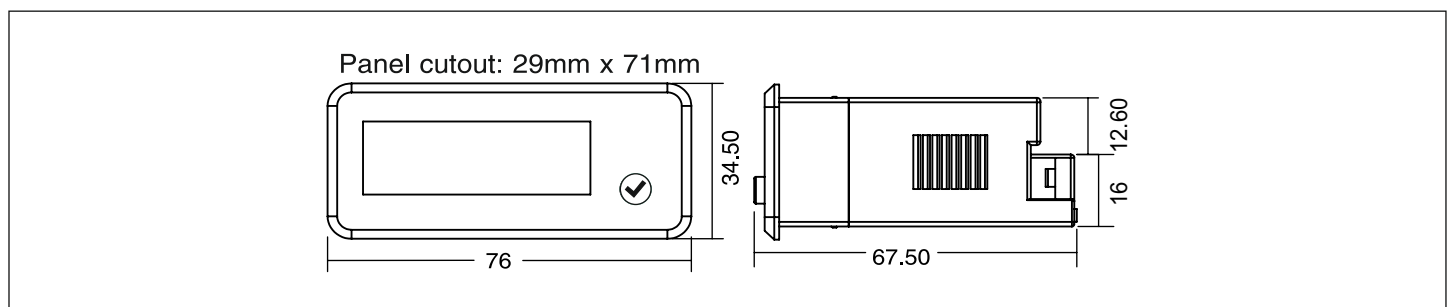
1. This unit is not intended for outdoor use.
2. The power connection cable must have a cross-section of at least 1sq.mm and insulation capacity of at least 1.5kV.
3. The output connections must not be loaded beyond the specified values/range.
4. Avoid inflow of dust and contact of conductive material with the internal circuitry of the unit.
5. The unit must not operate in presence of heating sources, caustic vapors, oil, steam, vibration or impact etc.
6. Use clean moist cloth soaked in water for cleaning. Avoid entry of water into the circuitry through the ventilation holes.

B) OVERVIEW

SPECIFICATIONS

Display	6 digit, 0.36" white 7 segment LED
Supply voltage	90 to 270V AC/DC, 50/60 Hz, 5VA max
Range	999999 counts
Sensor supply	12V DC @30mA (use external supply if current>30mA)
Input	5 to 30V DC from proximity switches, encoders, potential free contacts, limit switches etc.
Input speed	Slow speed: 20Hz, High speed: 5kHz
Memory retention	10 years
Housing	Flame retardant plastic
Mounting	Panel mounting
Temperature	Operating: 0 to 50 °C, Storage: -20 to 75 °C
Humidity	95% RH (non-condensing)
Weight	85 gm

MECHANICAL INSTALLATION



C) TERMINAL CONNECTION

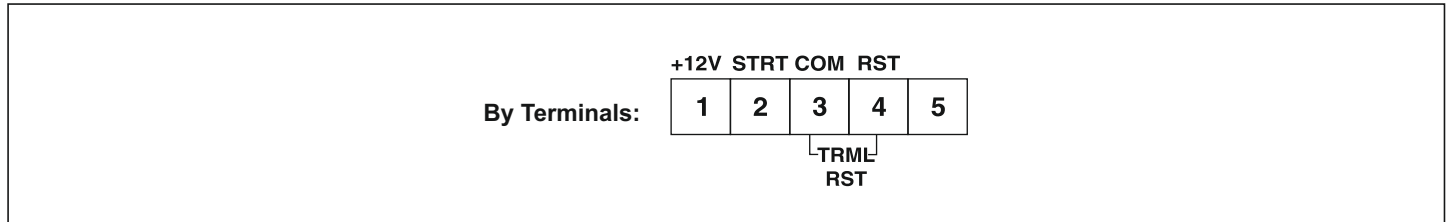
TERMINALS	DESCRIPTION
1	+12V
2-3	Start
3-4	Terminal reset
4-5	Front reset enable
8	L-Live (+)
10	N-Neutral (-)

DIP SWITCH SETTING

DIP SWITCH	OFF	ON
DIP 1	High speed	Slow speed
DIP 2	PNP sensor	NPN sensor

RESET METHOD

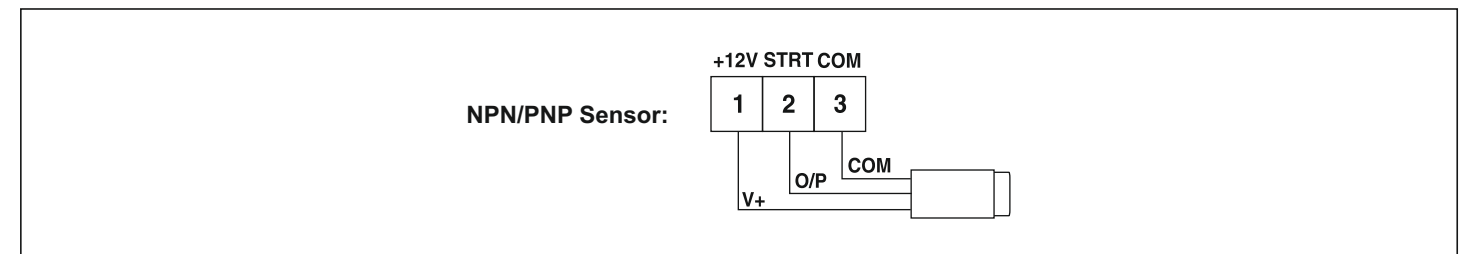
By front key: Short terminal 4 & 5 to enable front panel reset. Press RST key momentarily.



TYPICAL APPLICATION

CASE1: Operated by external contact.

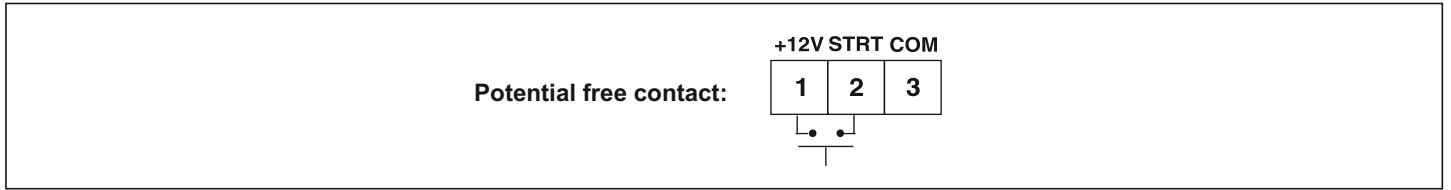
- 1) A PNP/NPN proximity sensor can be used instead of a switch. (NPN/PNP can selected through DIP SW)
- 2) Connect proximity switch between terminals 1, 2 & 3.
- 3) The count displayed on CNT704 will be indicative count (sensed by sensor).



(Sensor color codes :

Red = +12V, Green = CNT, Black = COM
Brown = +12V, Black = CNT, Blue = COM)

CASE2: Operated only by potential free contact



Note 1: Sensor selection (PNP/NPN) is detected only at power ON .

Note 2: Potential free count will work only during NPN selection.

Etsilon

Factory Address : EL-27/1, Electronic Zone, TTC Industrial Area, MIDC, Mahape, Navi Mumbai - 400710, India.

Website : www.etsilon.com | **Customer Care No.** 7304413724 | **Email :** support@etsilon.com

For Service : **Tel. No. :** 9136977317 | **Email :** service@etsilon.com